



US00D399627S

# United States Patent [19] Smith

[11] **Patent Number: Des. 399,627**

[45] **Date of Patent: \*\*Oct. 13, 1998**

[54] **PERSONAL ACCESS LIFT**

[75] Inventor: **Craig D. Smith**, 12706 St. Clair Dr.,  
Middletown, Ky. 40243

[73] Assignee: **Craig D. Smith**, Middletown, Ky.

[\*\*] Term: **14 Years**

[21] Appl. No.: **66,812**

[22] Filed: **Feb. 21, 1997**

[51] **LOC (6) Cl. .... 12-05**

[52] **U.S. Cl. .... D34/28**

[58] **Field of Search** ..... D34/28, 29, 33,  
D34/34; D12/52; 5/81.1 R, 83.1; 414/921;  
4/563.1, 564.1, 496

[56] **References Cited**

**U.S. PATENT DOCUMENTS**

D. 261,377 10/1981 Grant ..... D34/33  
D. 297,876 9/1988 Nolan ..... D34/28

D. 365,907 1/1996 Mishler ..... D34/28  
3,981,484 9/1976 James ..... 5/81.1 R  
4,996,728 3/1991 Nolan ..... 4/496  
5,465,433 11/1995 Nolan ..... 4/496

*Primary Examiner*—Alan P. Douglas  
*Assistant Examiner*—Robin V. Taylor

[57] **CLAIM**

The ornamental design for the personal access lift, as shown.

**DESCRIPTION**

FIG. 1 is a front view of the personal access lift;  
FIG. 2 is a rear view of the personal access lift;  
FIG. 3 is a left side view of the personal access lift;  
FIG. 4 is a right side view of the personal access lift;  
FIG. 5 is a bottom view of the personal access lift;  
FIG. 6 is a top view to the personal access lift; and,  
FIG. 7 is a shaded dimensional front view of the personal  
access lift.

**1 Claim, 6 Drawing Sheets**

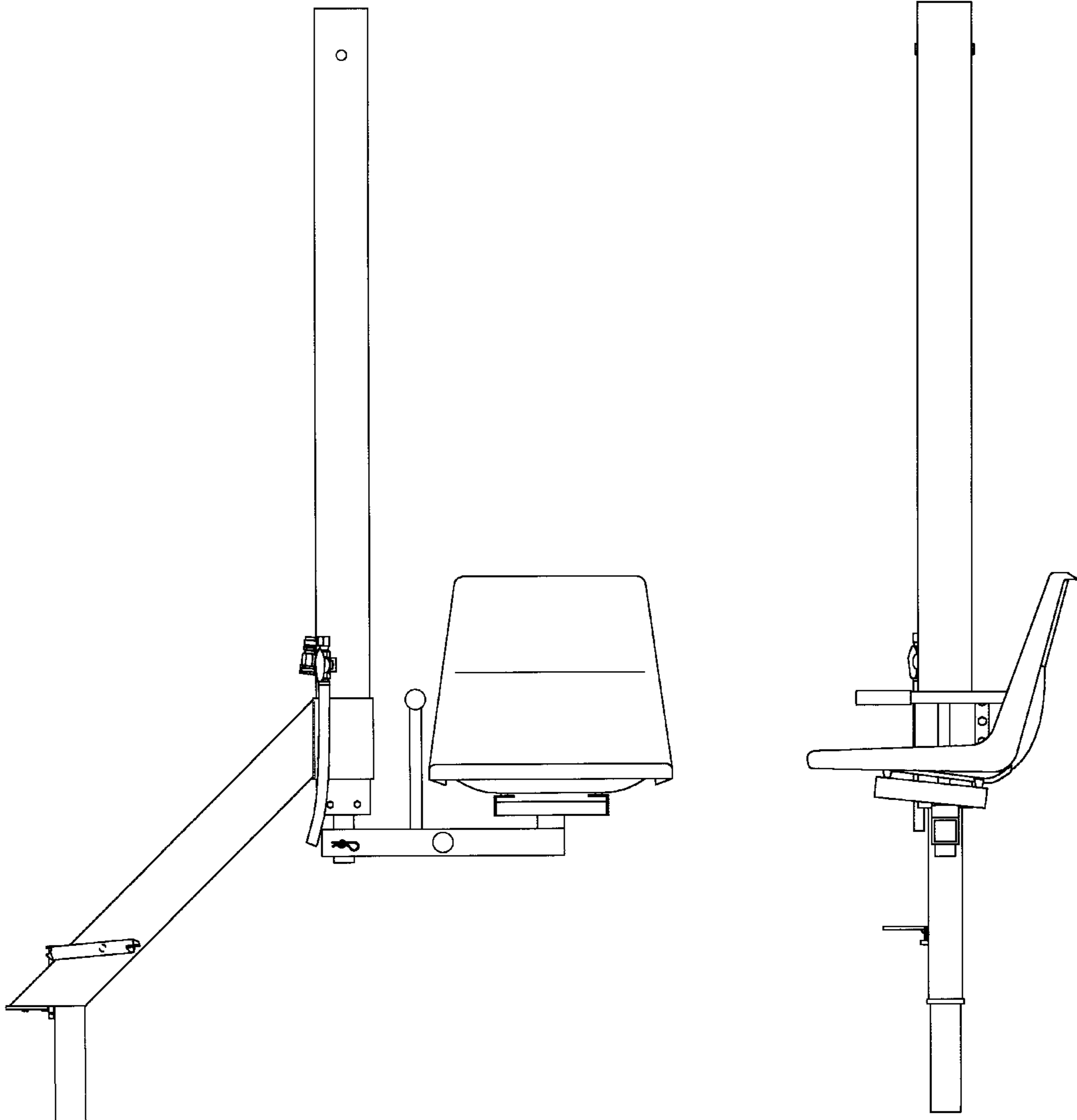


FIG. 1

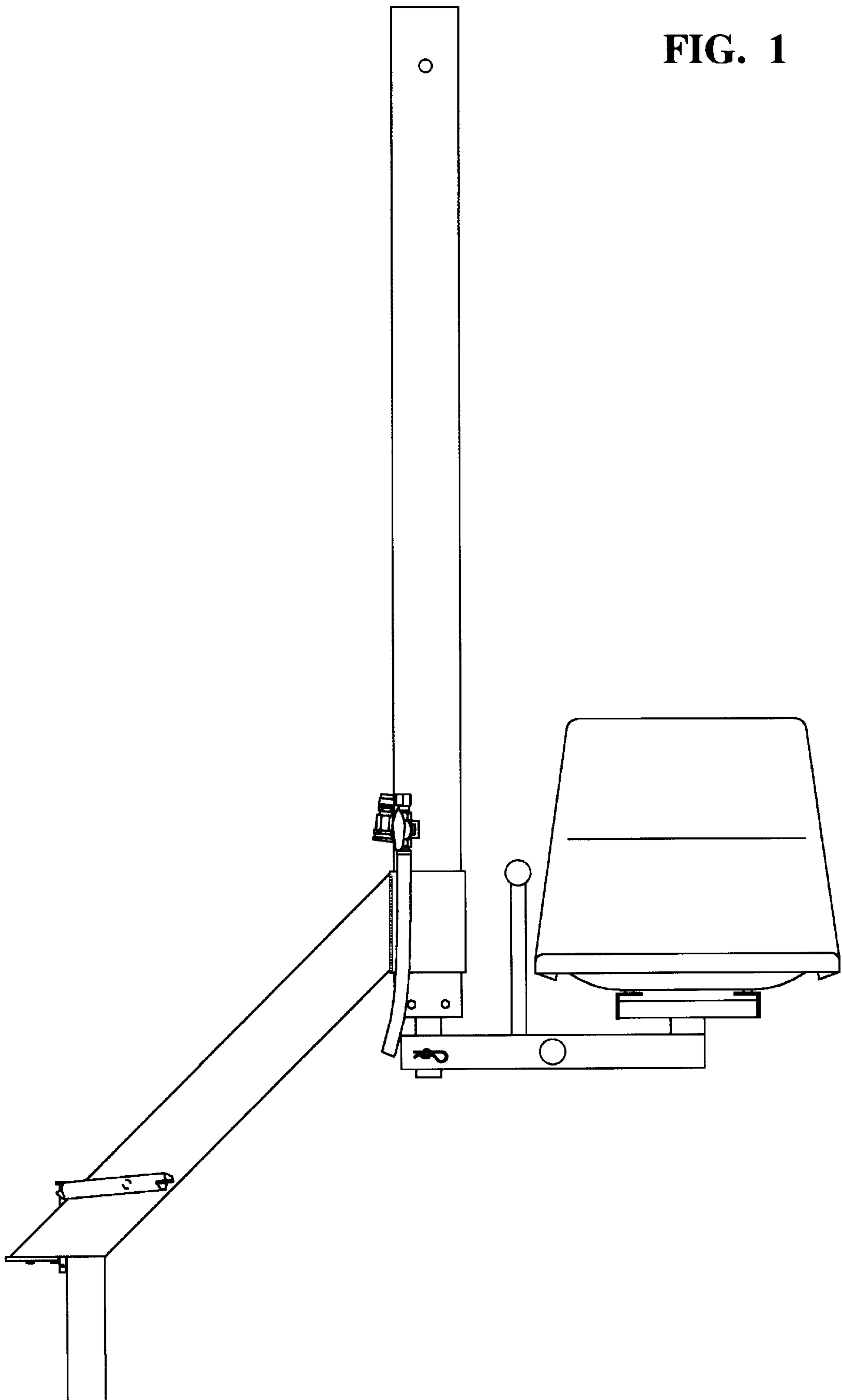


FIG. 2

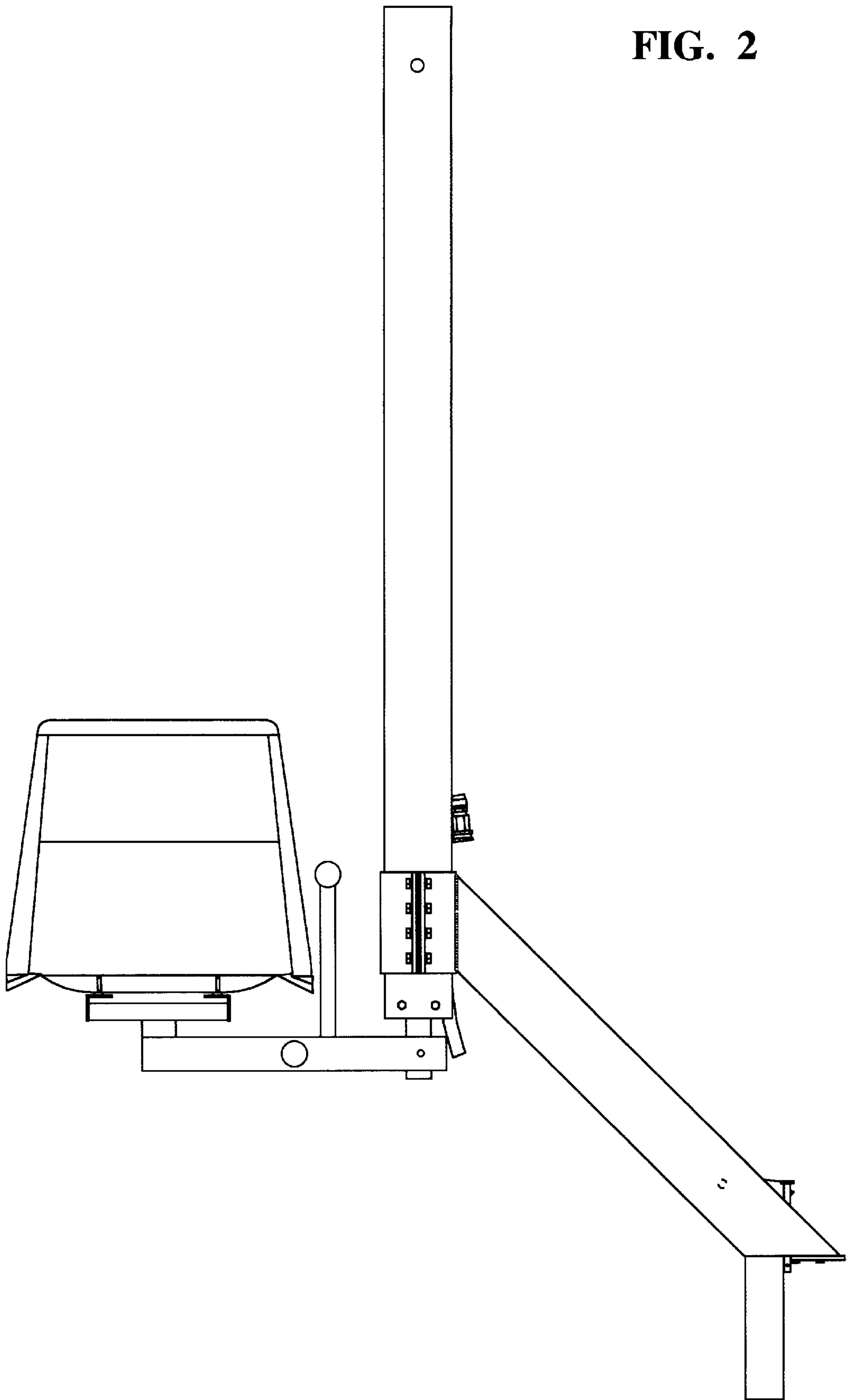


FIG. 3

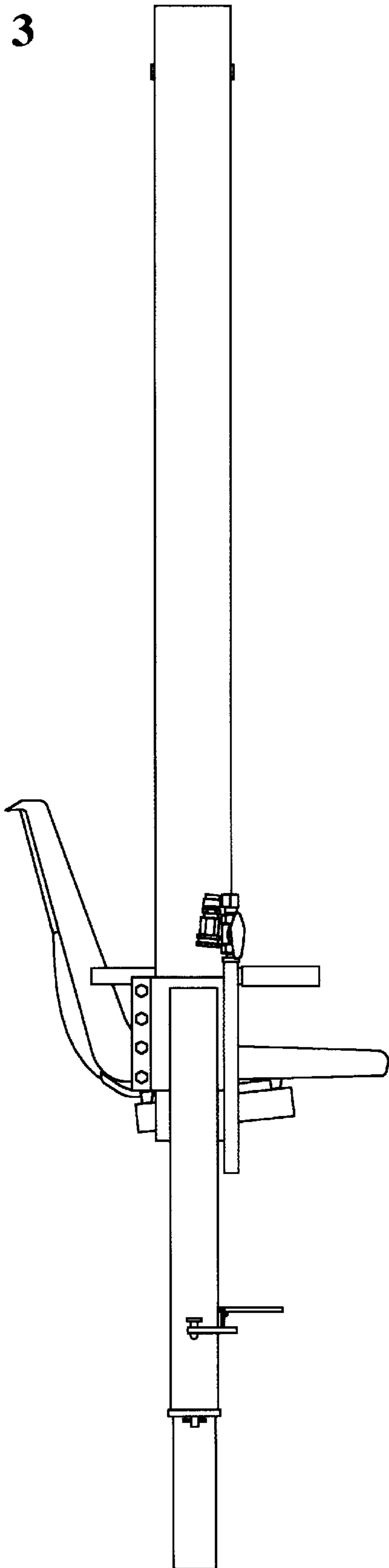


FIG. 4

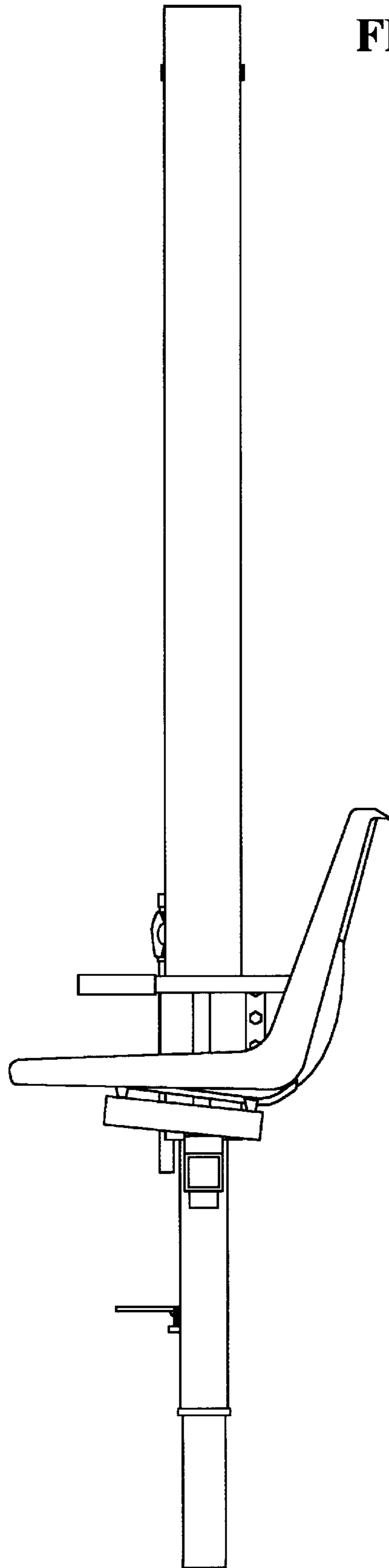
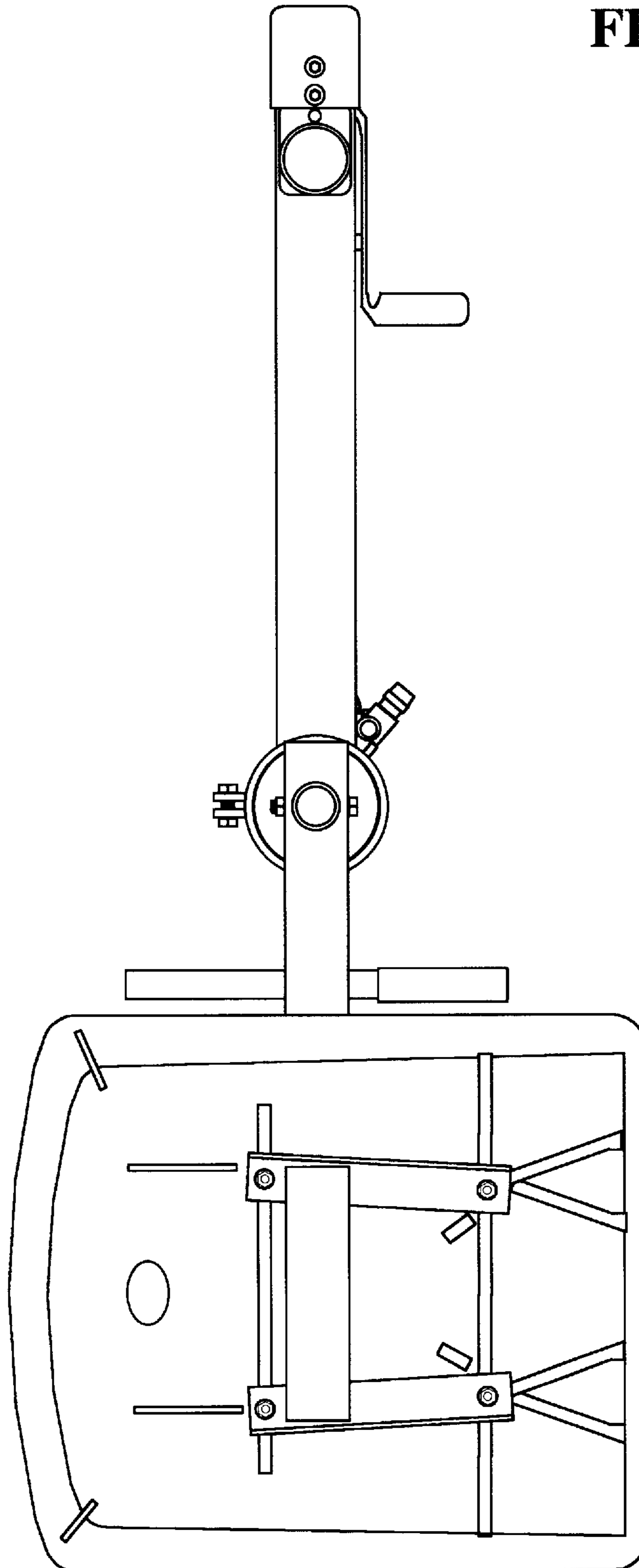


FIG. 5



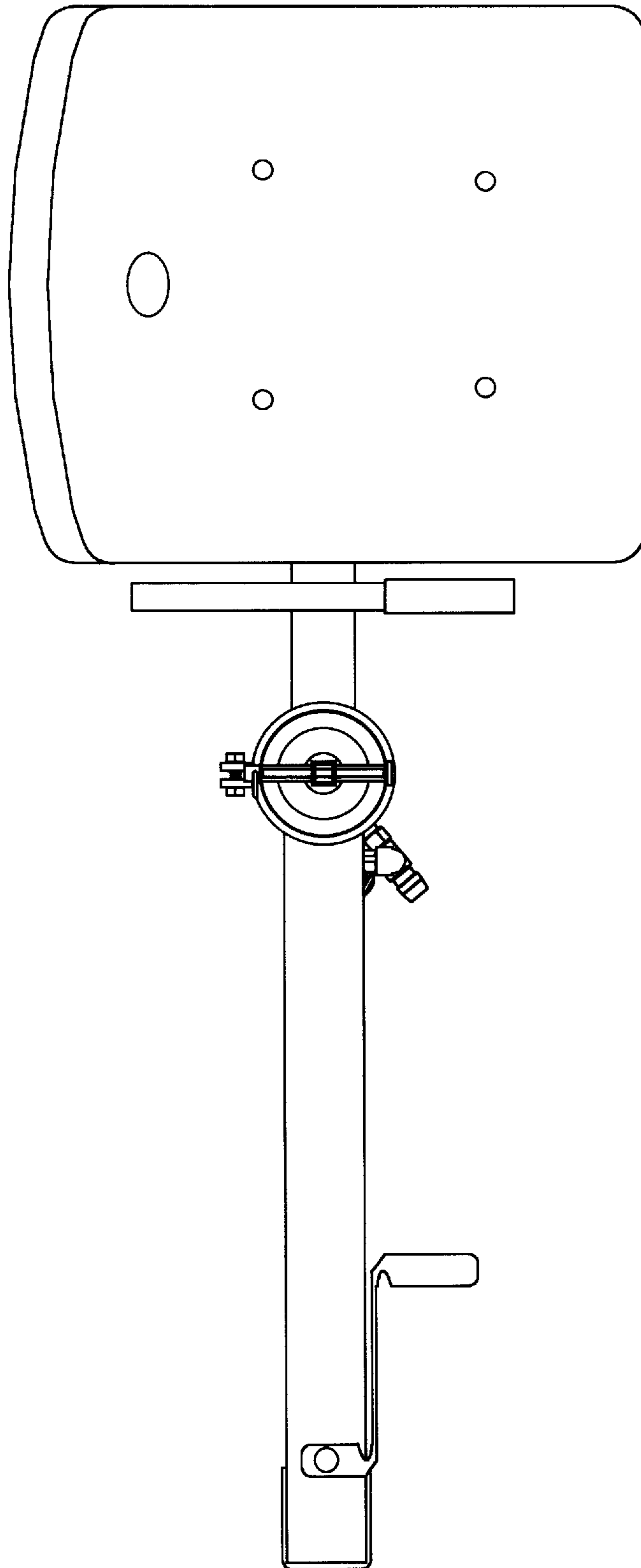


FIG. 6

FIG. 7

