



US00D399626S

United States Patent [19] Taylor

[11] **Patent Number: Des. 399,626**

[45] **Date of Patent: **Oct. 13, 1998**

[54] **CREEPER SEAT WITH DRAWER**

[75] Inventor: **Ken Taylor**, Merced, Calif.

[73] Assignee: **United Auto Systems, Inc.**, Tampa, Fla.

[**] Term: **14 Years**

[21] Appl. No.: **55,765**

[22] Filed: **Jun. 13, 1996**

[51] **LOC (6) Cl. 12-02**

[52] **U.S. Cl. D34/23**

[58] **Field of Search D12/12-27; 280/32.6,
280/32.5, 79.11; D6/510, 446**

[56] **References Cited**

U.S. PATENT DOCUMENTS

D. 132,963	4/1942	Salomon	D6/510
D. 149,763	5/1948	Ketchum, Jr. et al.	D6/446
D. 282,595	2/1986	Stephens	D34/21
D. 336,806	6/1993	Zoellner	D6/510
3,677,569	7/1972	Larson	280/32.6
5,460,392	10/1995	Hansen	280/32.6

OTHER PUBLICATIONS

Domus, Kartell Collection, Drawers by Simon Lussen, Nov. 1974.

Advertisement; Flyer for United Auto Systems, Inc; 1987. Sporty's® Tool Shop, p. 70 Creeper Seat 10102T.

Primary Examiner—Kay H. Chin

Attorney, Agent, or Firm—Sam Silverberg

[57] **CLAIM**

The ornamental design for a creeper seat with drawer, as shown and described.

DESCRIPTION

FIG. 1 is a front perspective view of a creeper seat with drawer showing my new design;

FIG. 2 is a front elevational view thereof;

FIG. 3 is a rear elevational view thereof;

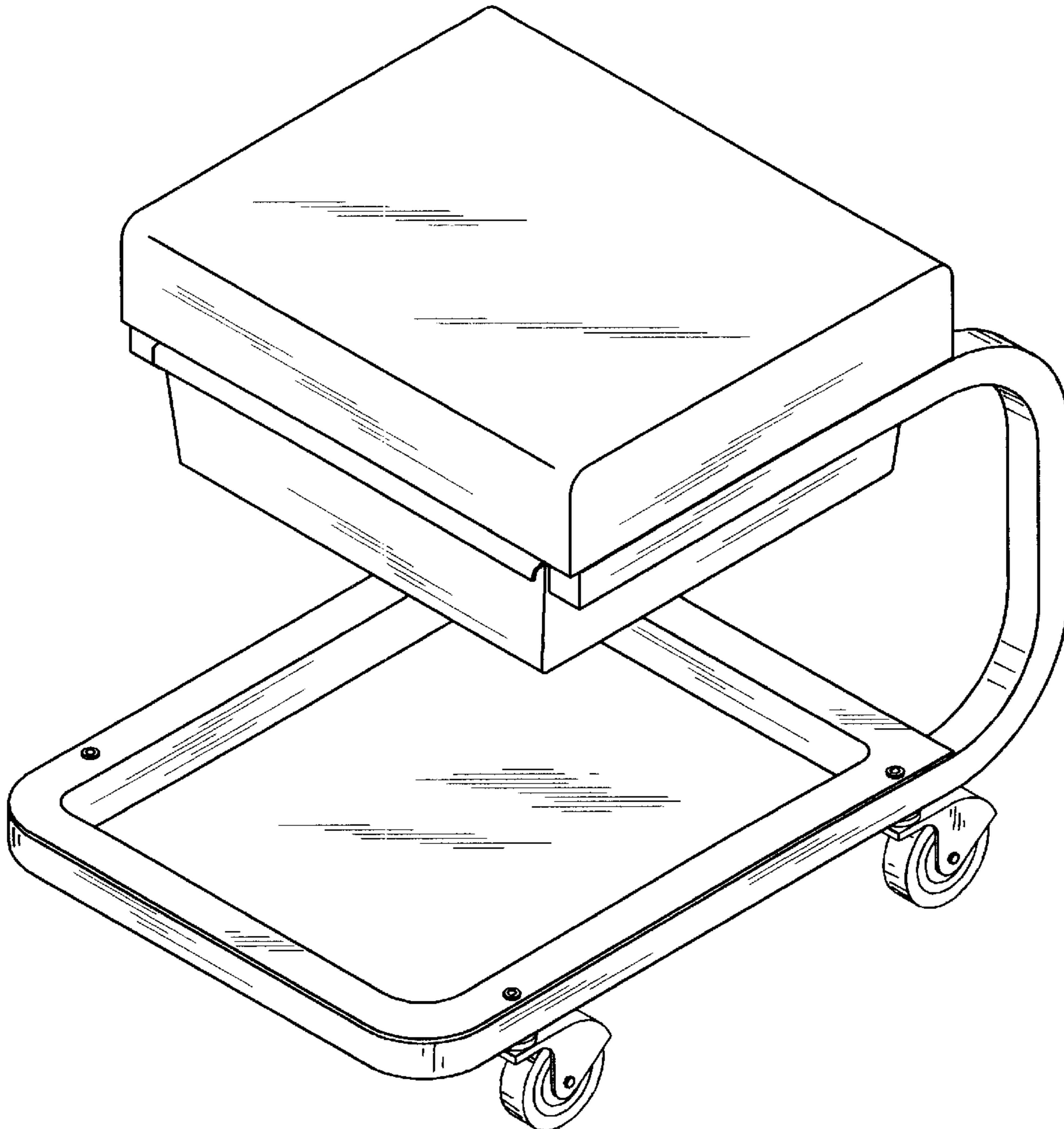
FIG. 4 is a left side elevational view thereof;

FIG. 5 is a right side elevational view thereof;

FIG. 6 is a top plan view thereof; and,

FIG. 7 is a bottom plan view thereof.

1 Claim, 4 Drawing Sheets



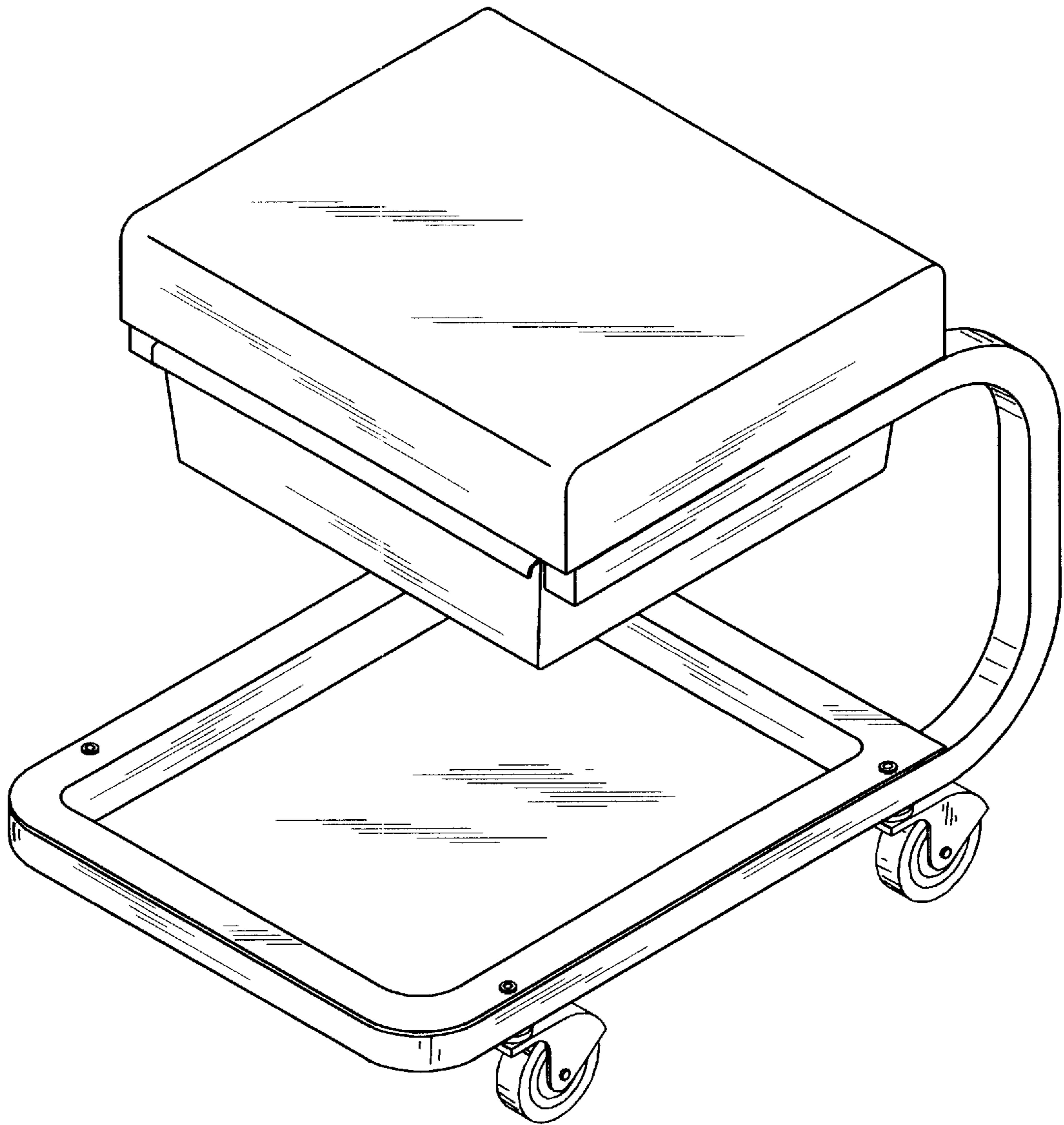


Fig. 1

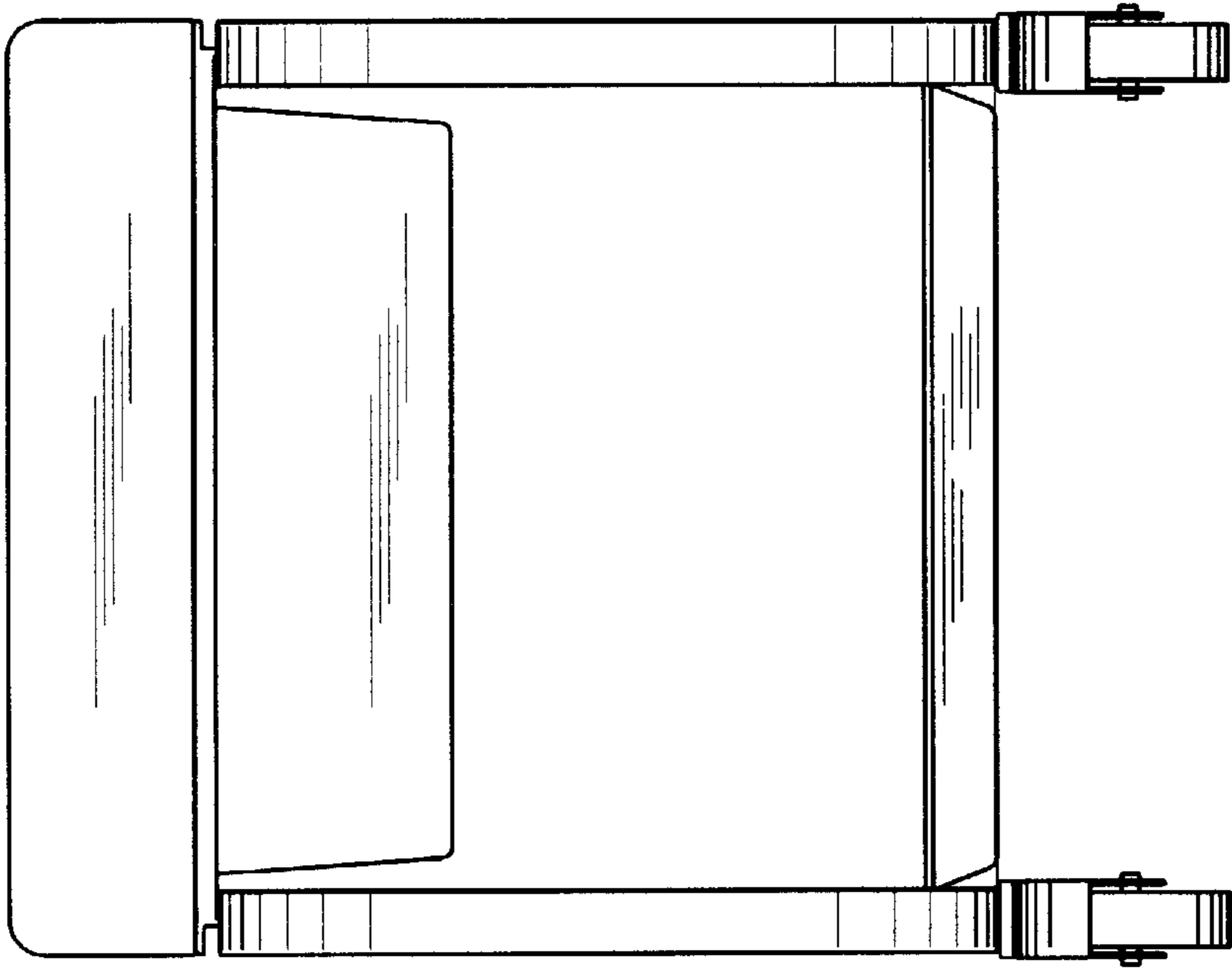


Fig. 3

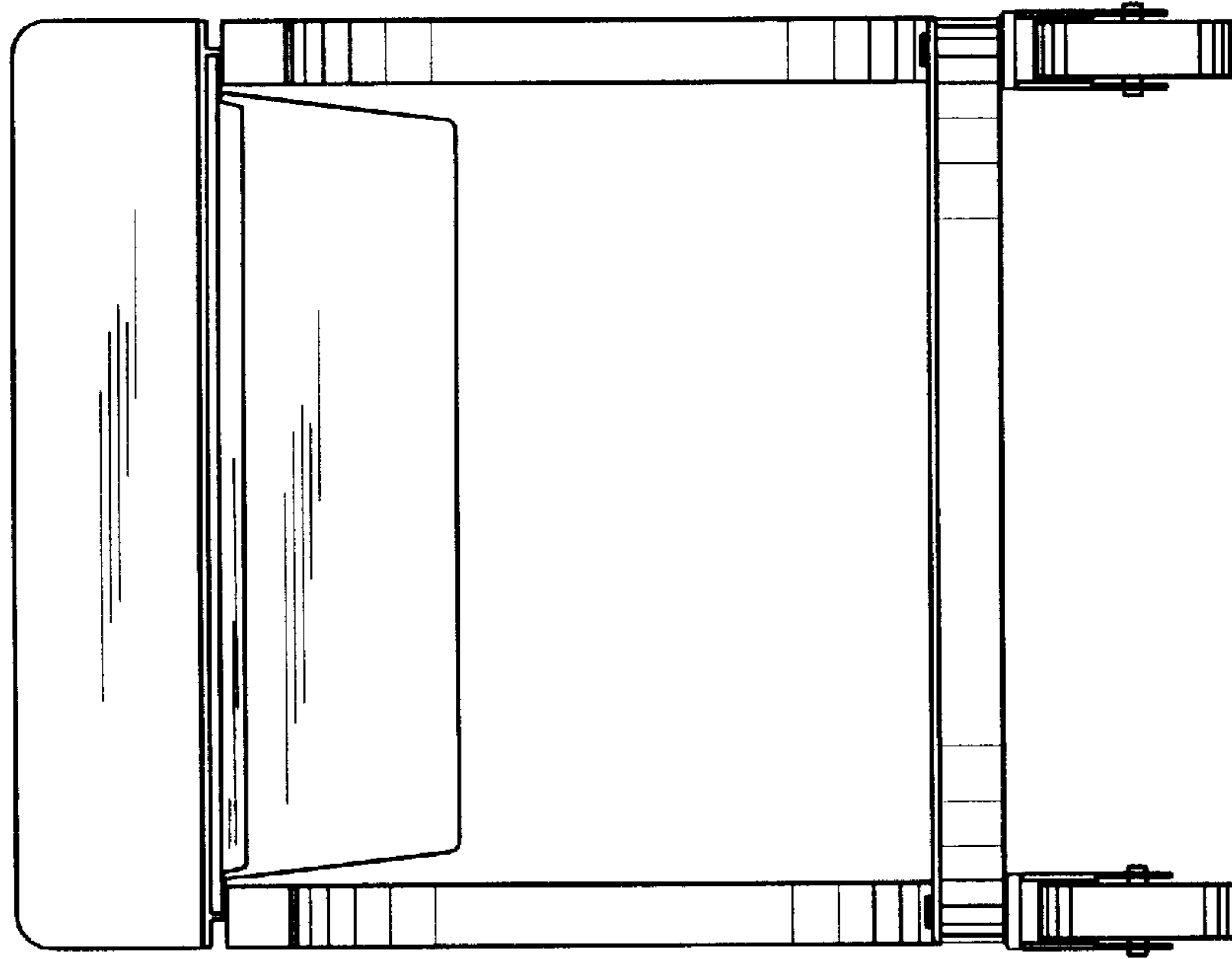


Fig. 2

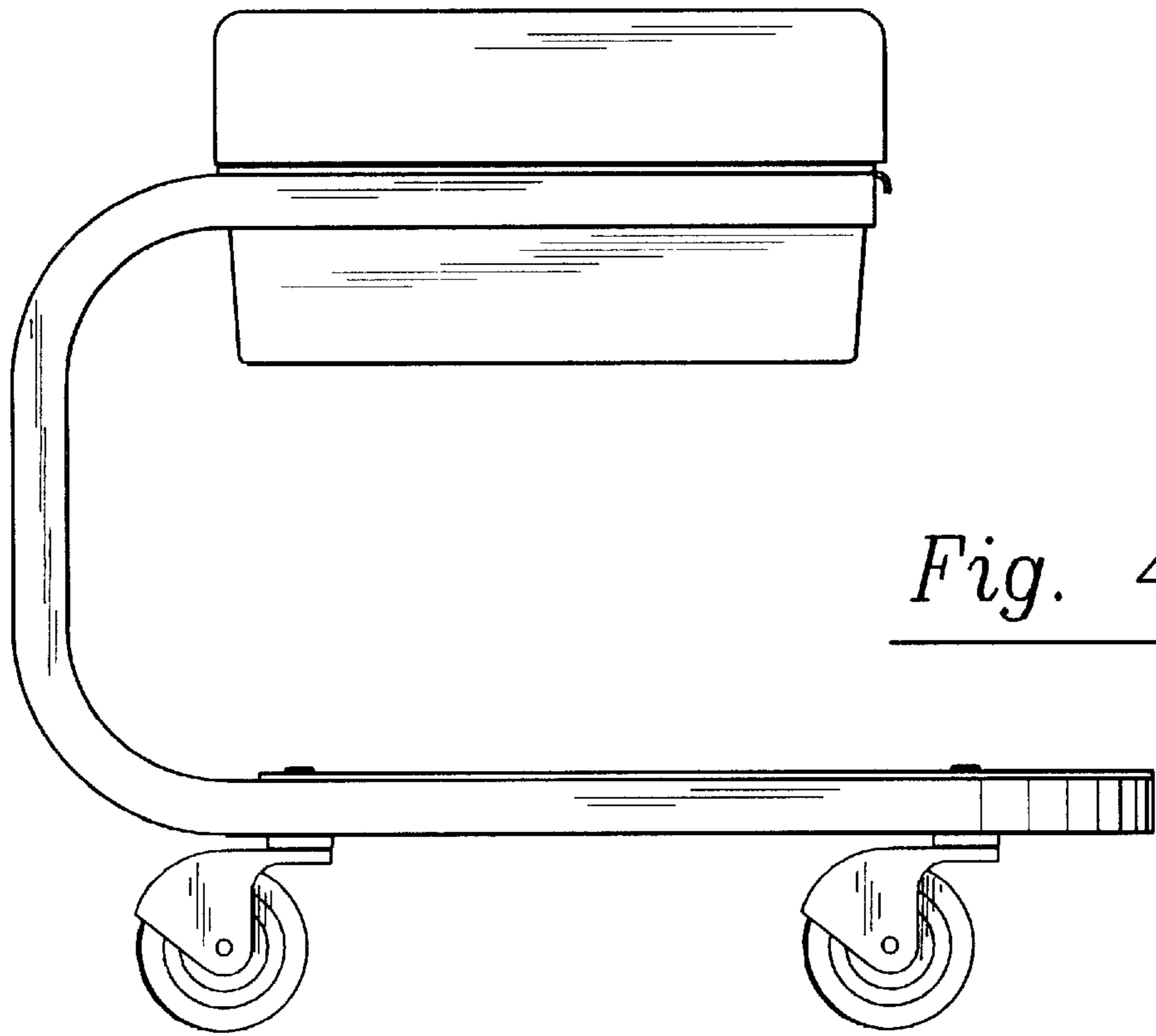


Fig. 4

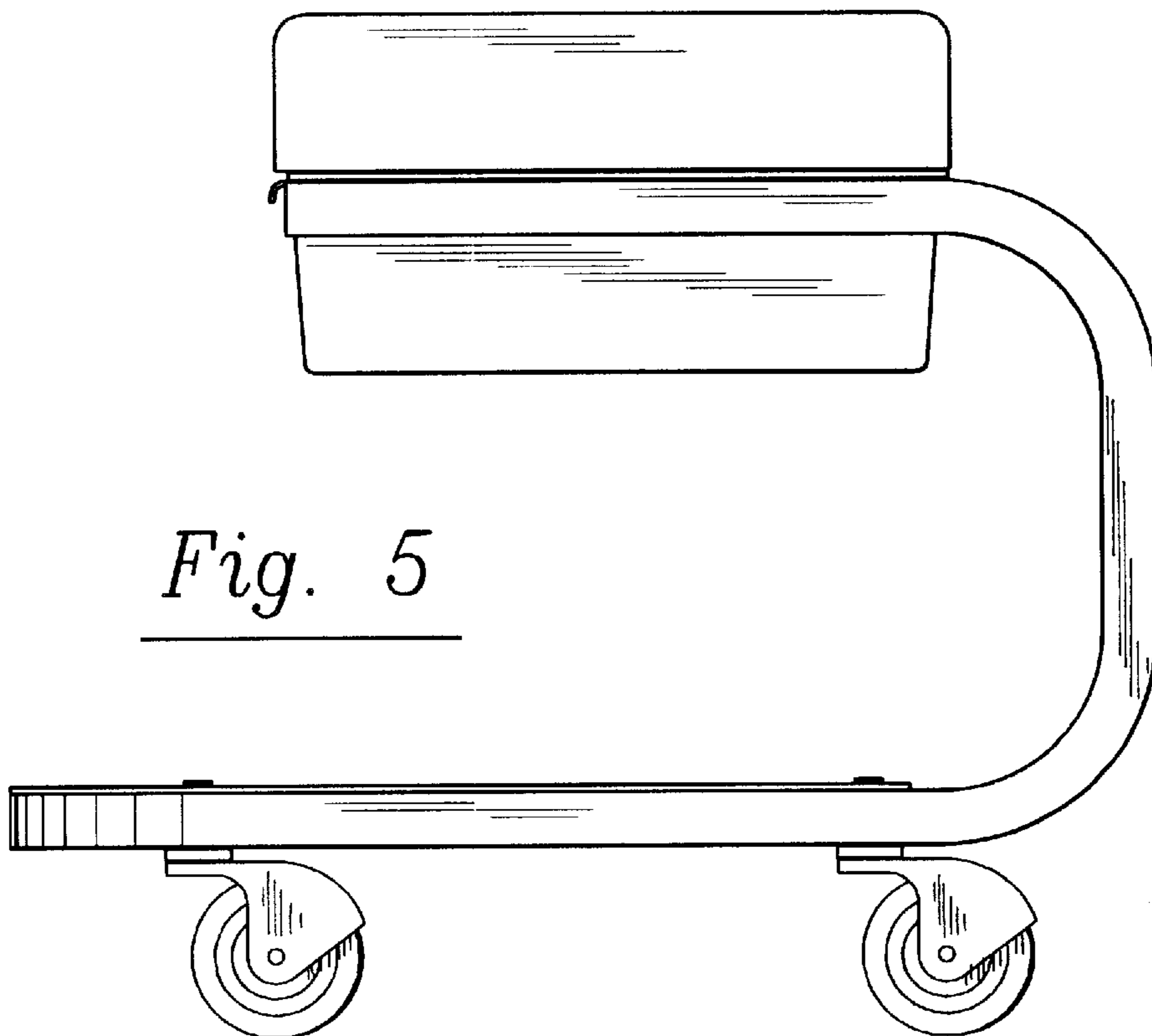


Fig. 5

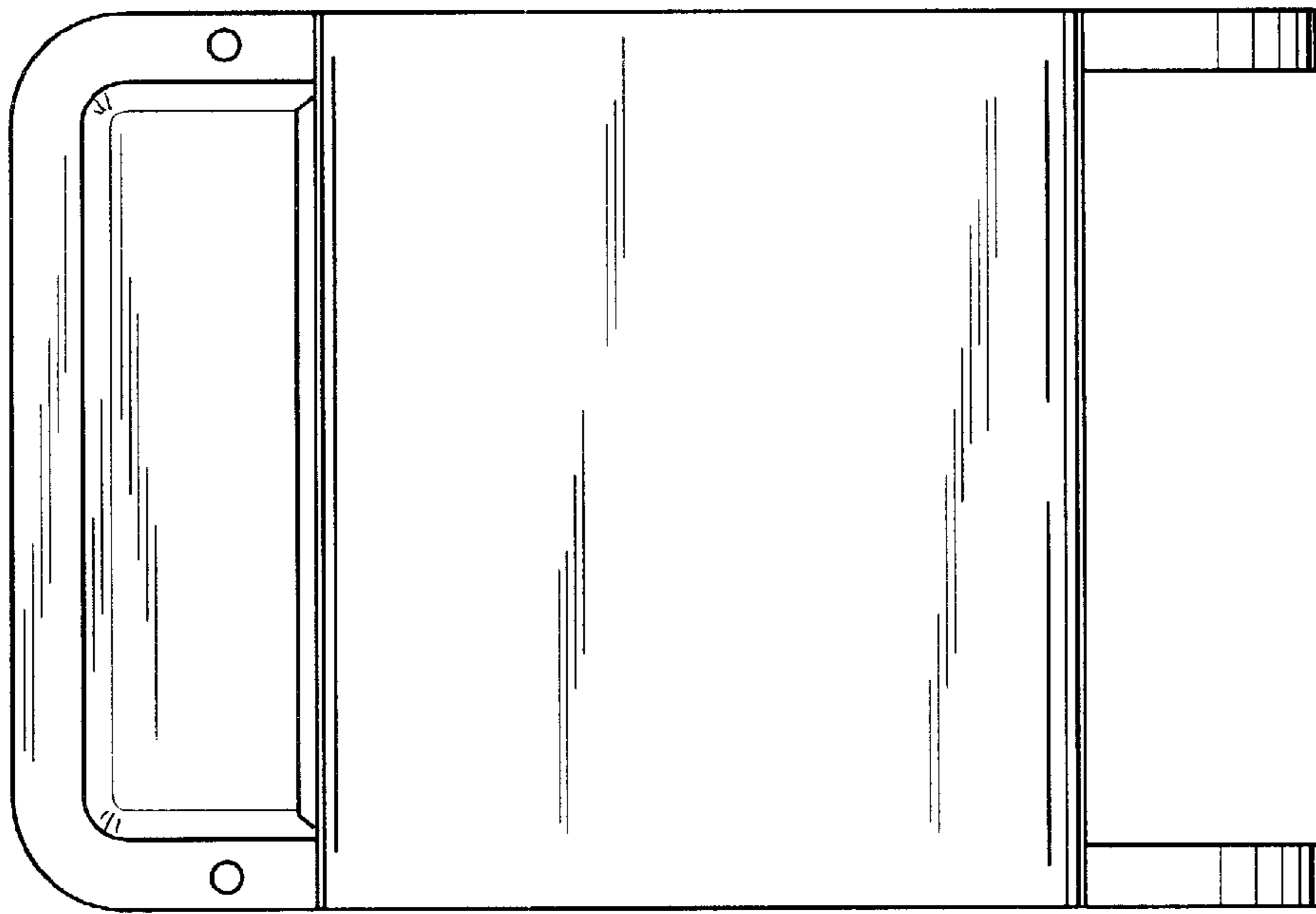


Fig. 6

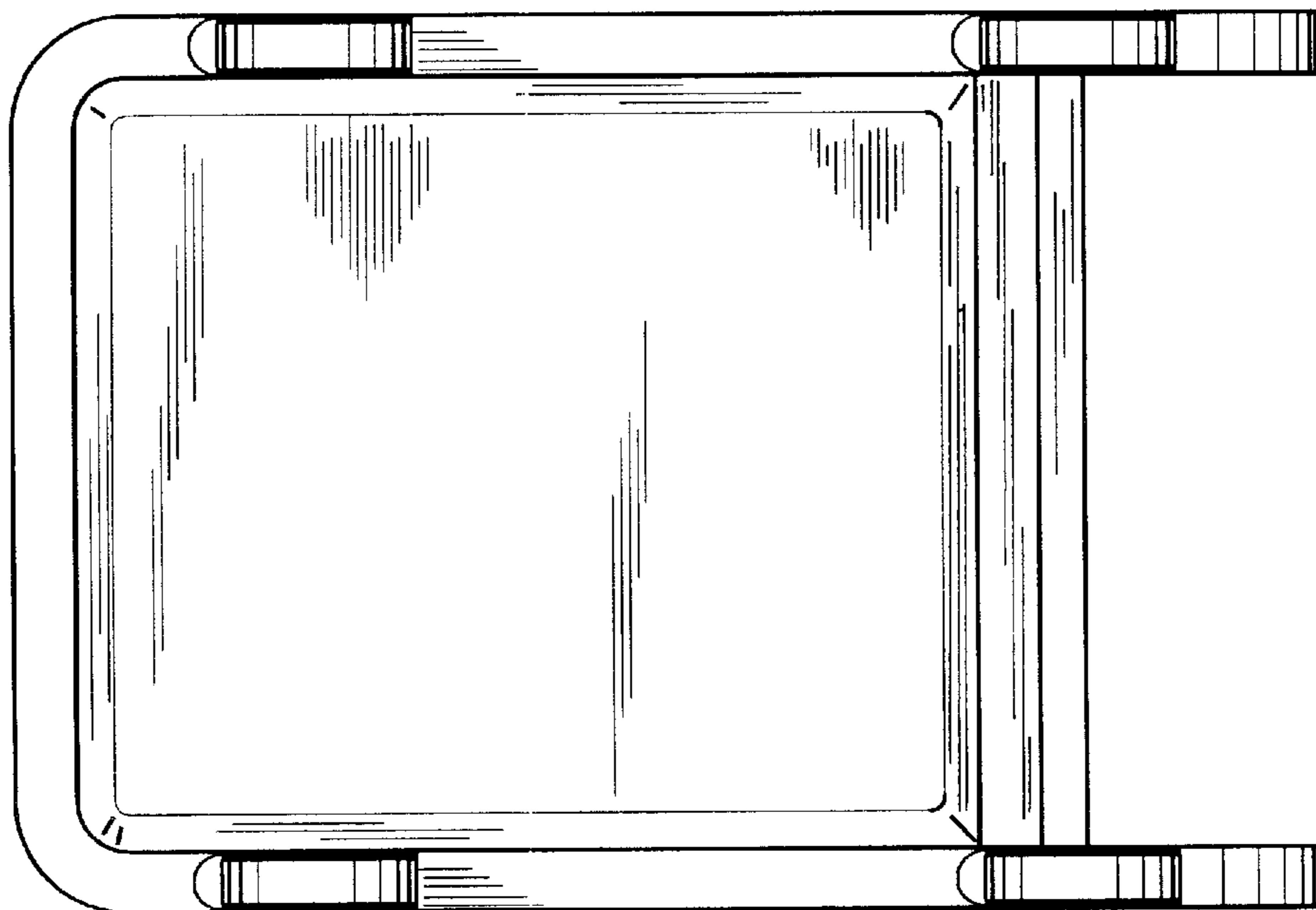


Fig. 7