



US00D399625S

United States Patent [19]

Murphy et al.

[11] Patent Number: **Des. 399,625**

[45] Date of Patent: ****Oct. 13, 1998**

[54] TRIAL LAWYER'S CADDY

5,626,352 5/1997 Grace 280/47.29

[75] Inventors: **Richard Murphy; Curtis B. Coulter**,
403 Hill St., both of Reno, Nev. 89501

Primary Examiner—Kay H. Chin
Attorney, Agent, or Firm—Brian C. Kelly

[73] Assignee: **Curtis B. Coulter**, Reno, Nev.

[57] CLAIM

[**] Term: **14 Years**

The ornamental design for a trial lawyer's caddy, as shown and described.

[21] Appl. No.: **72,110**

DESCRIPTION

[22] Filed: **Jun. 10, 1997**

FIG. 1 is a side perspective view of a trial lawyer's caddy showing my new design;
FIG. 2 is a side elevational view thereof;
FIG. 3 is a top plan view thereof;
FIG. 4 is a front elevational view thereof;
FIG. 5 is a rear elevational view thereof;
FIG. 6 is a bottom plan view thereof;
FIG. 7 is a side elevational view thereof without the tiers and the handle fully extend;
FIG. 8 is a side elevational view thereof without the tiers and the handle partially folded down; and,
FIG. 9 is a side elevational view thereof without the tiers fully folded down.

[51] LOC (6) Cl. **12-02**

[52] U.S. Cl. **D34/21; D34/17; D34/20**

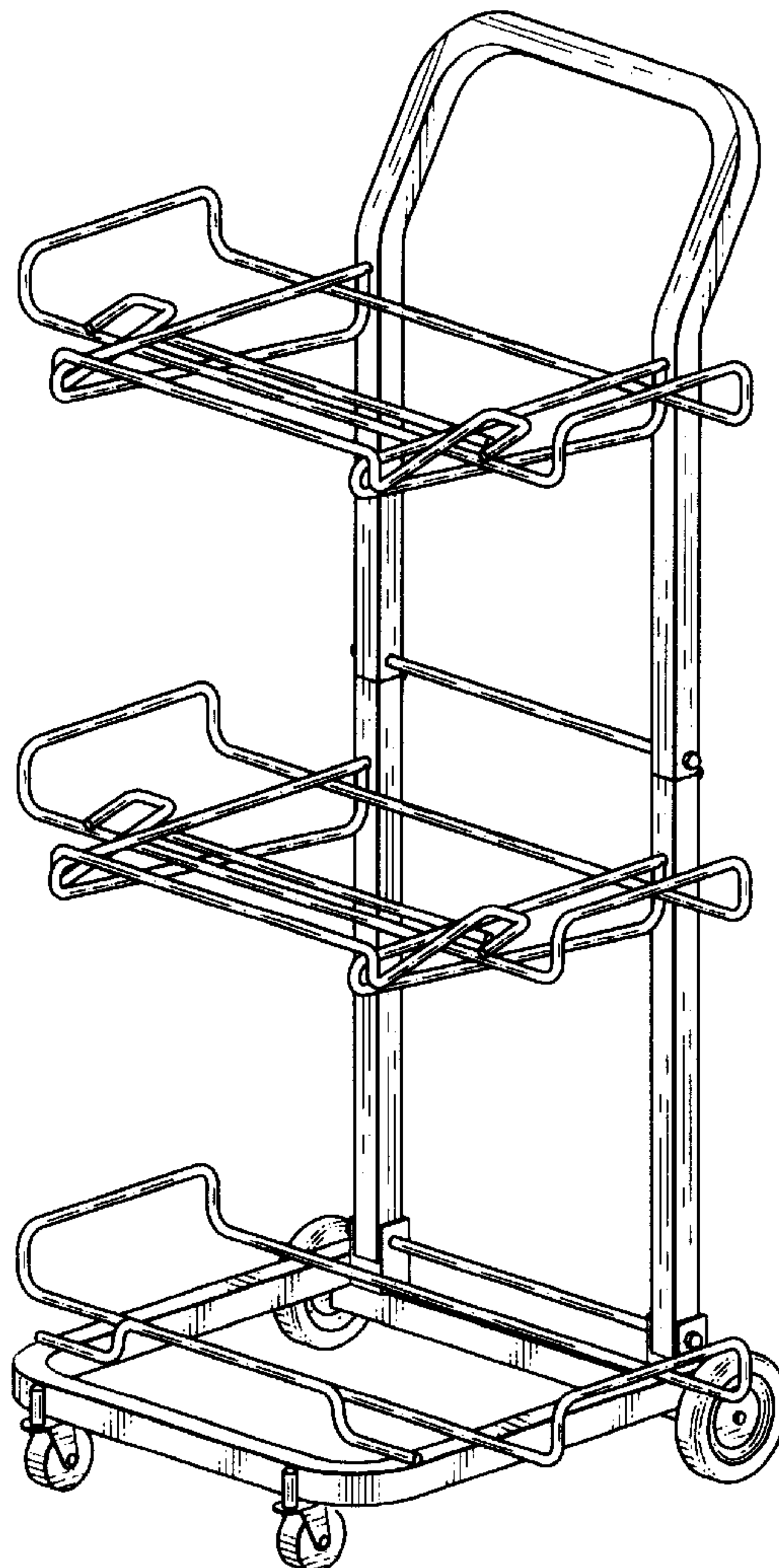
[58] Field of Search D34/12-27; 280/47.18,
280/47.19, 47.24, 47.27, 47.28, 47.29, 47.34,
654, 655, 655.1, 79.3; 211/70.1; D6/514

[56] References Cited

U.S. PATENT DOCUMENTS

D. 238,663	2/1976	Schlman	D34/24
D. 286,699	11/1986	Thomas, Jr.	D34/26
D. 354,600	1/1995	Roberts	D34/24
5,104,135	4/1992	Sheets	280/47.19
5,464,244	11/1995	Tsai	280/655

1 Claim, 3 Drawing Sheets



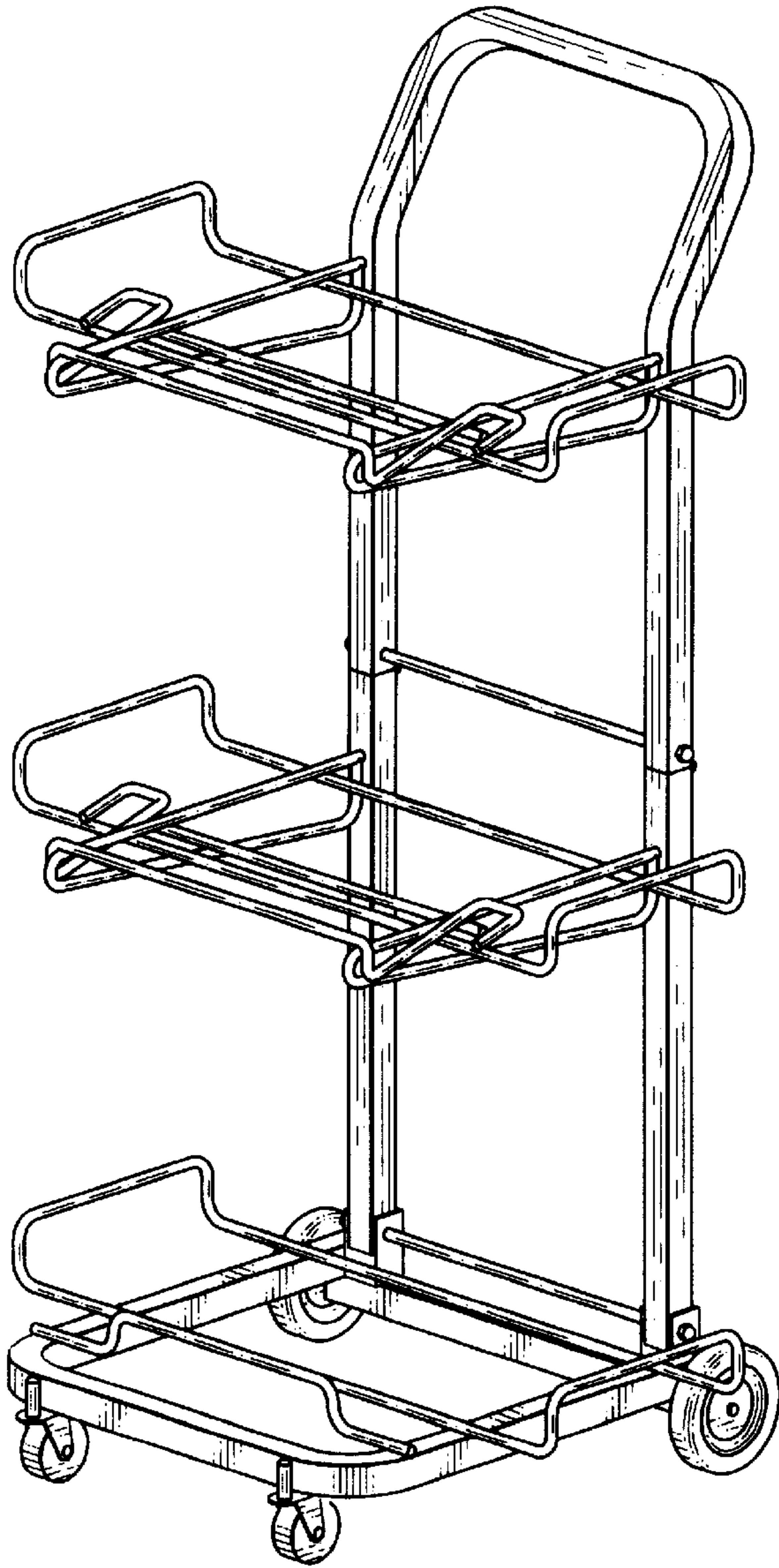


Fig. 1

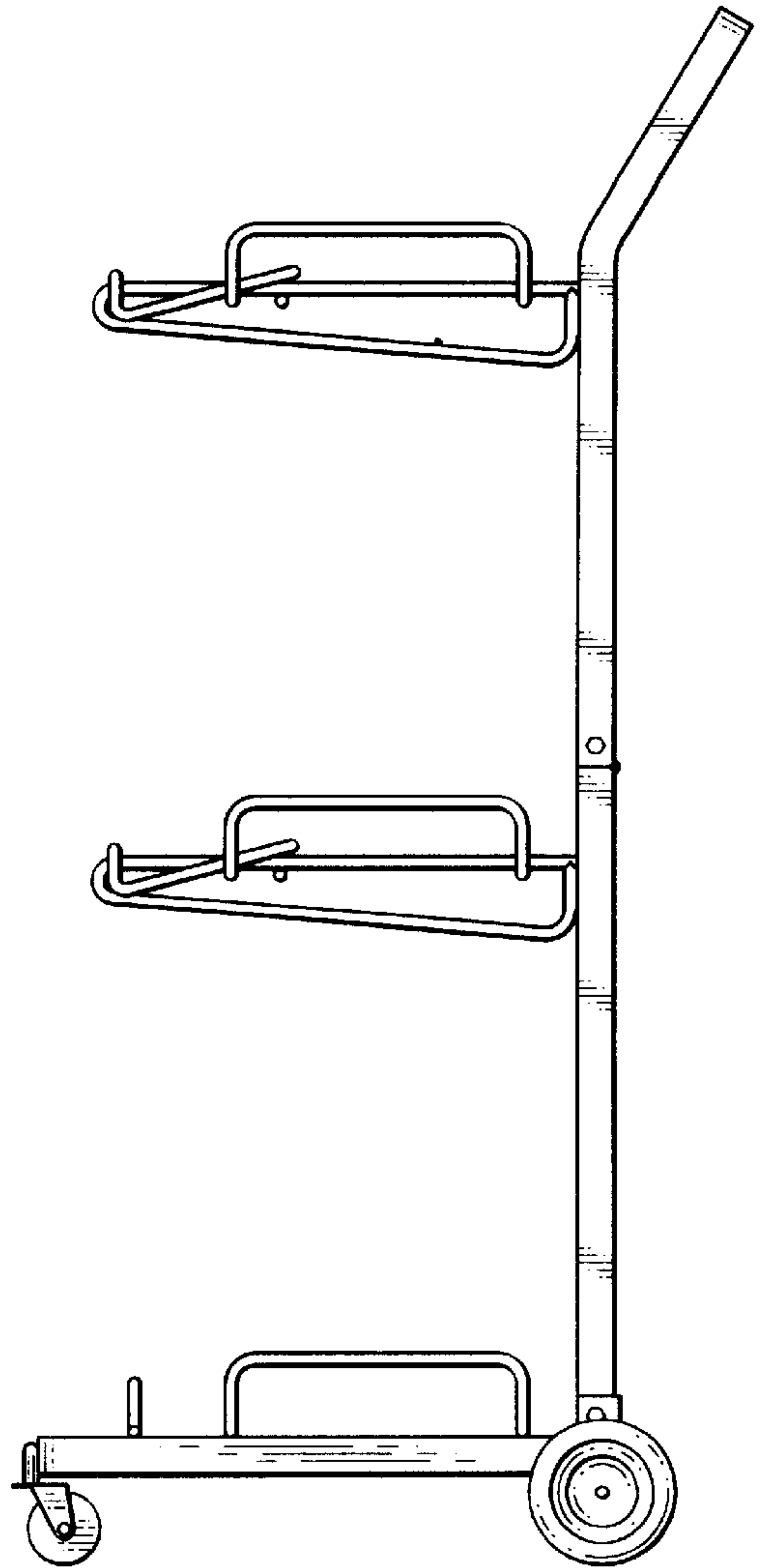


Fig. 2

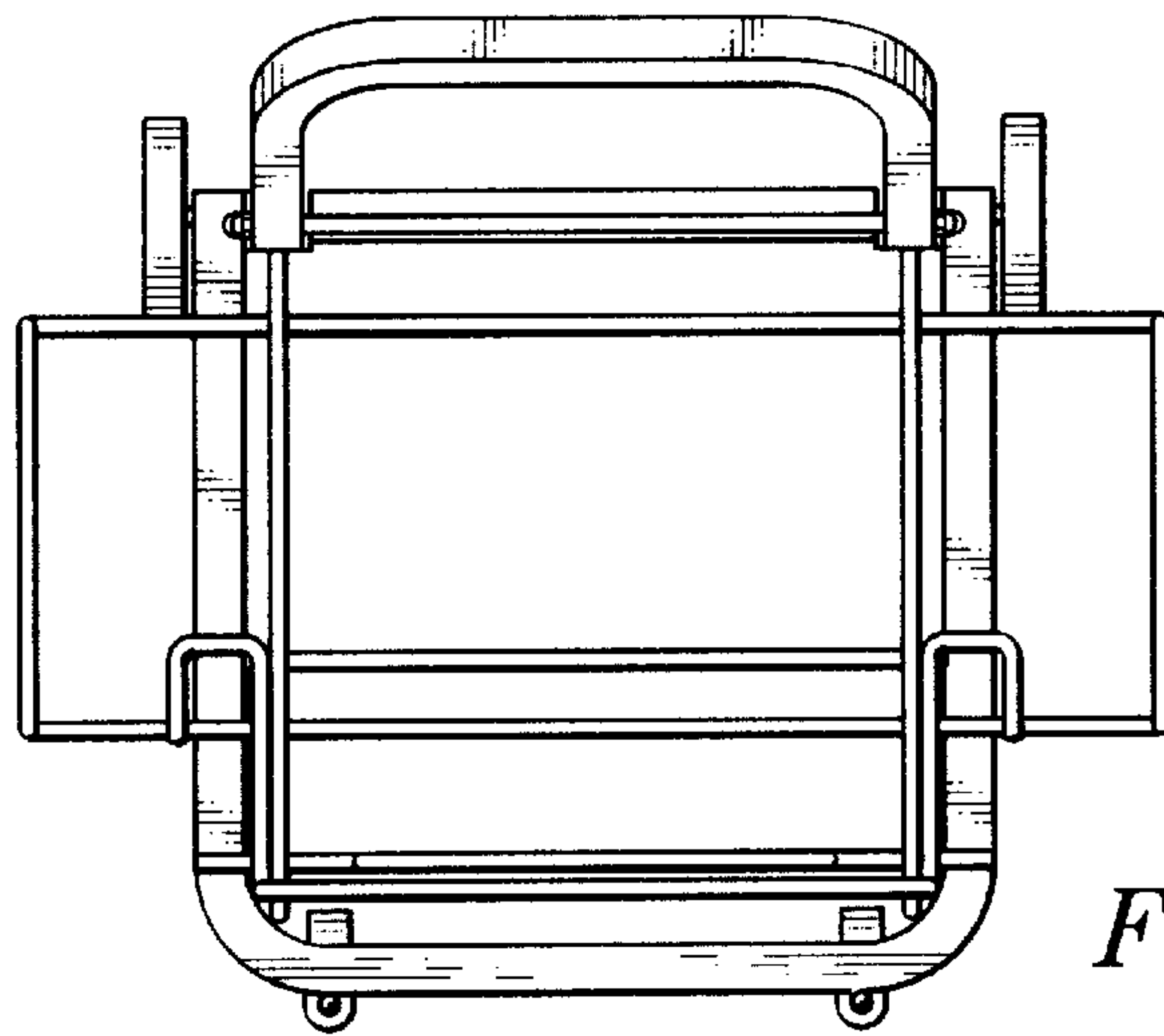


Fig. 3

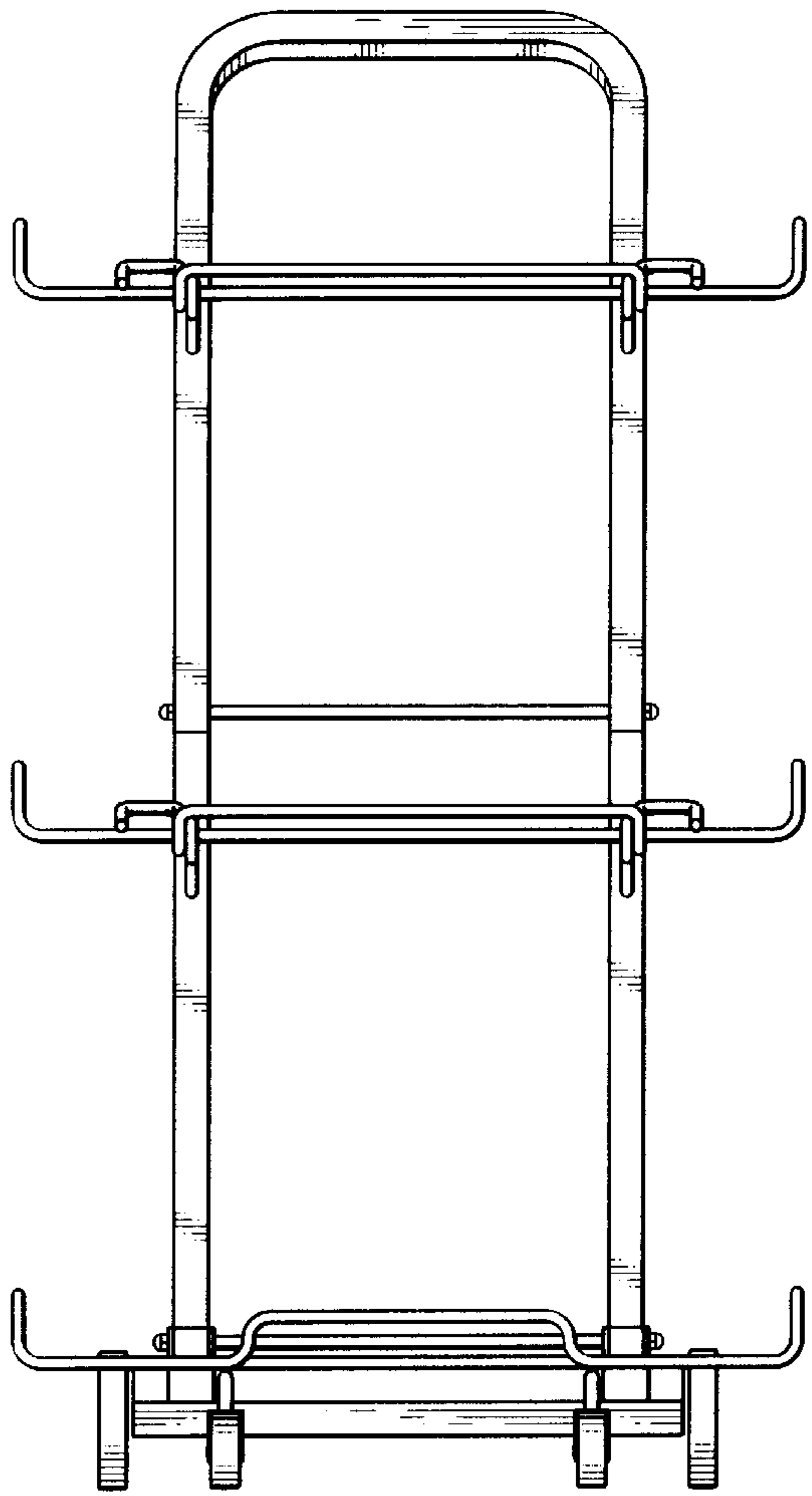


Fig. 4

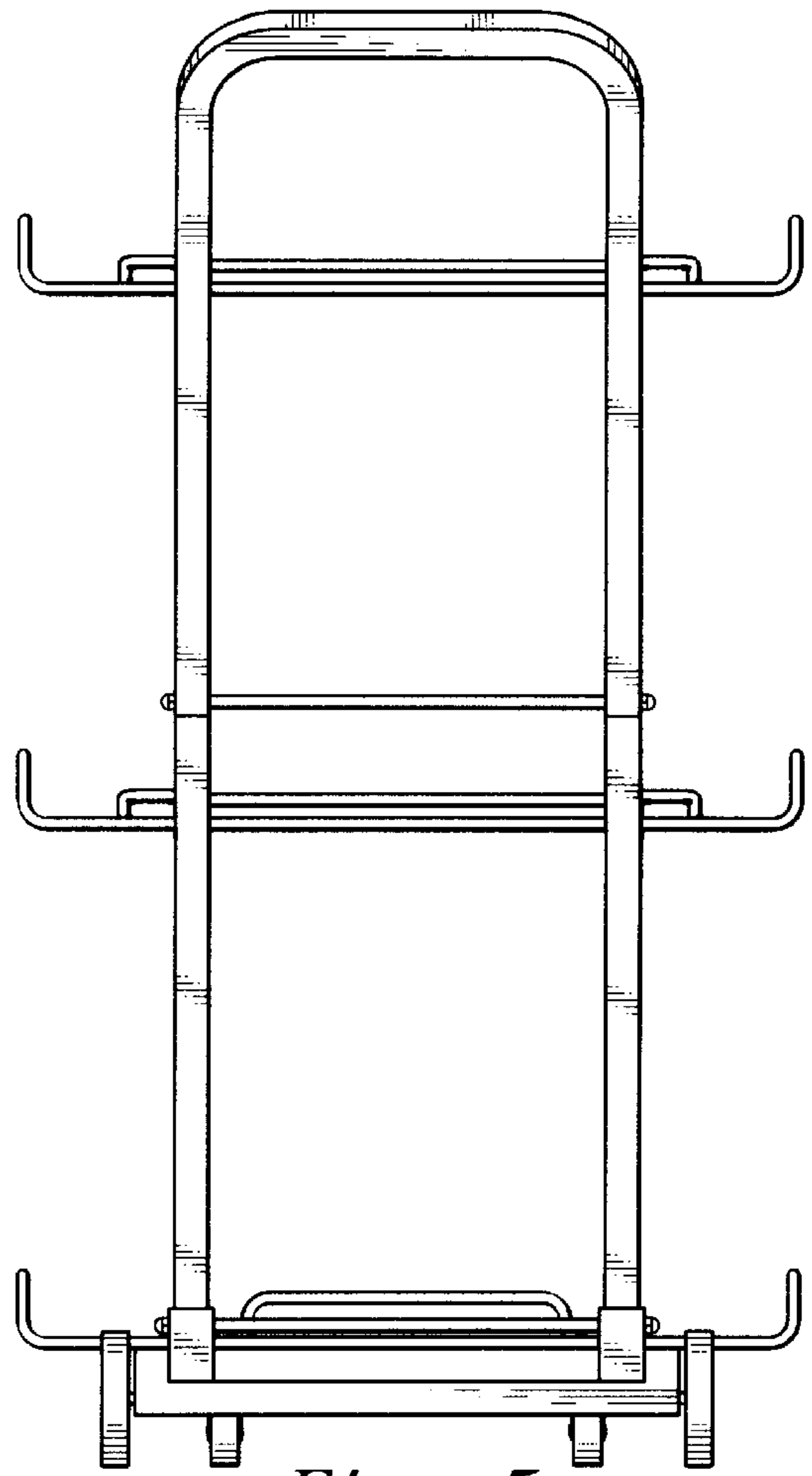


Fig. 5

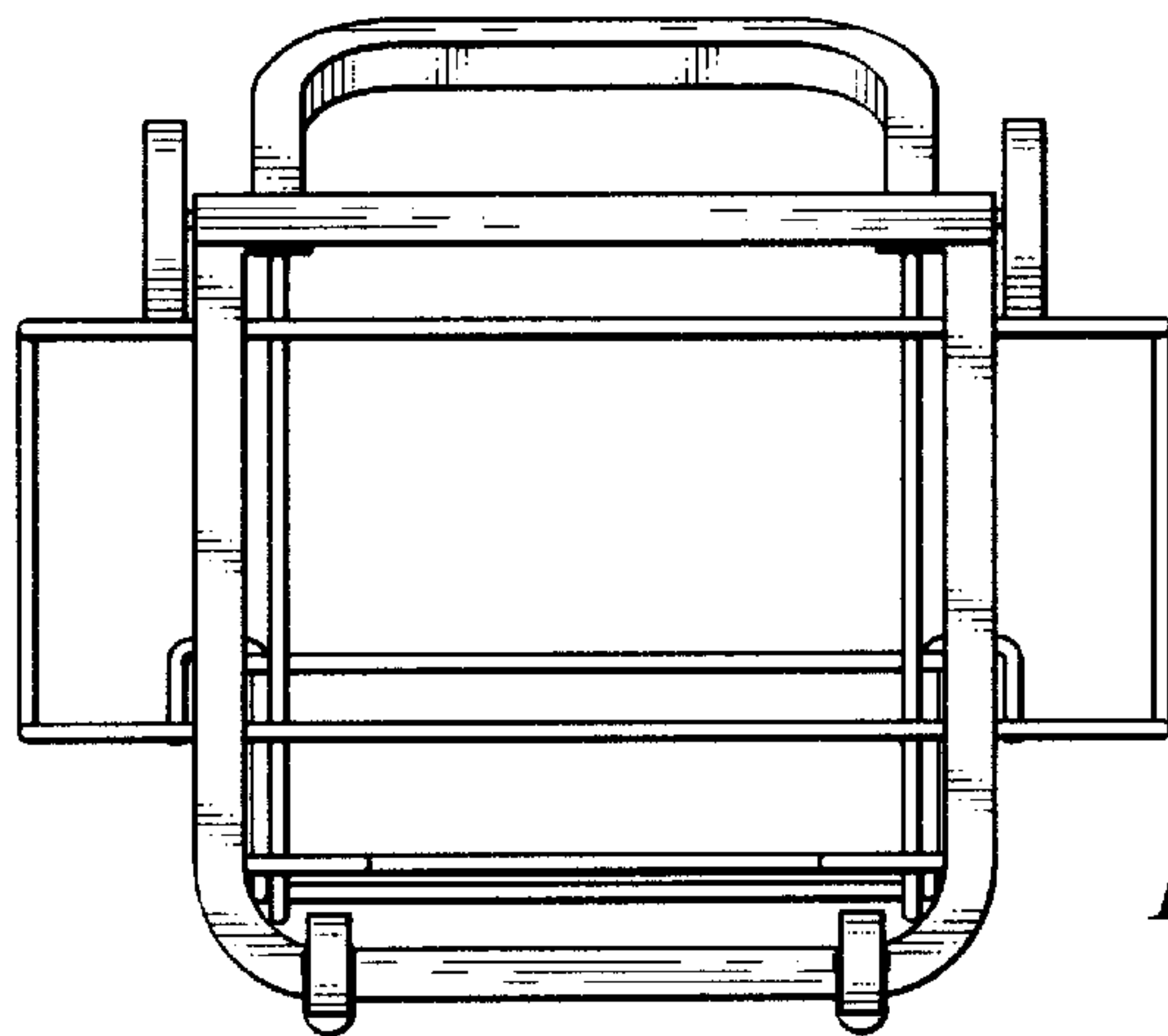


Fig. 6

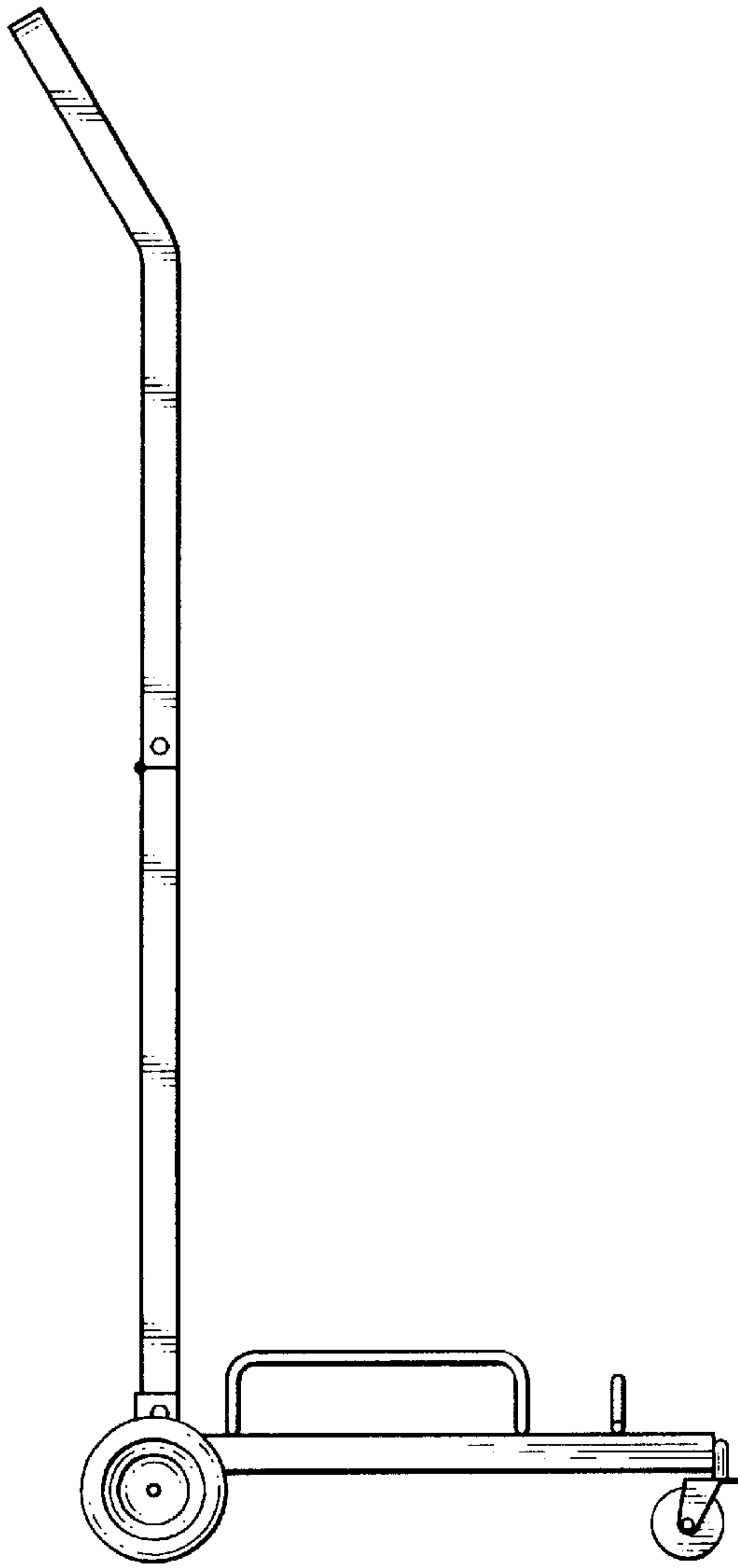


Fig. 7

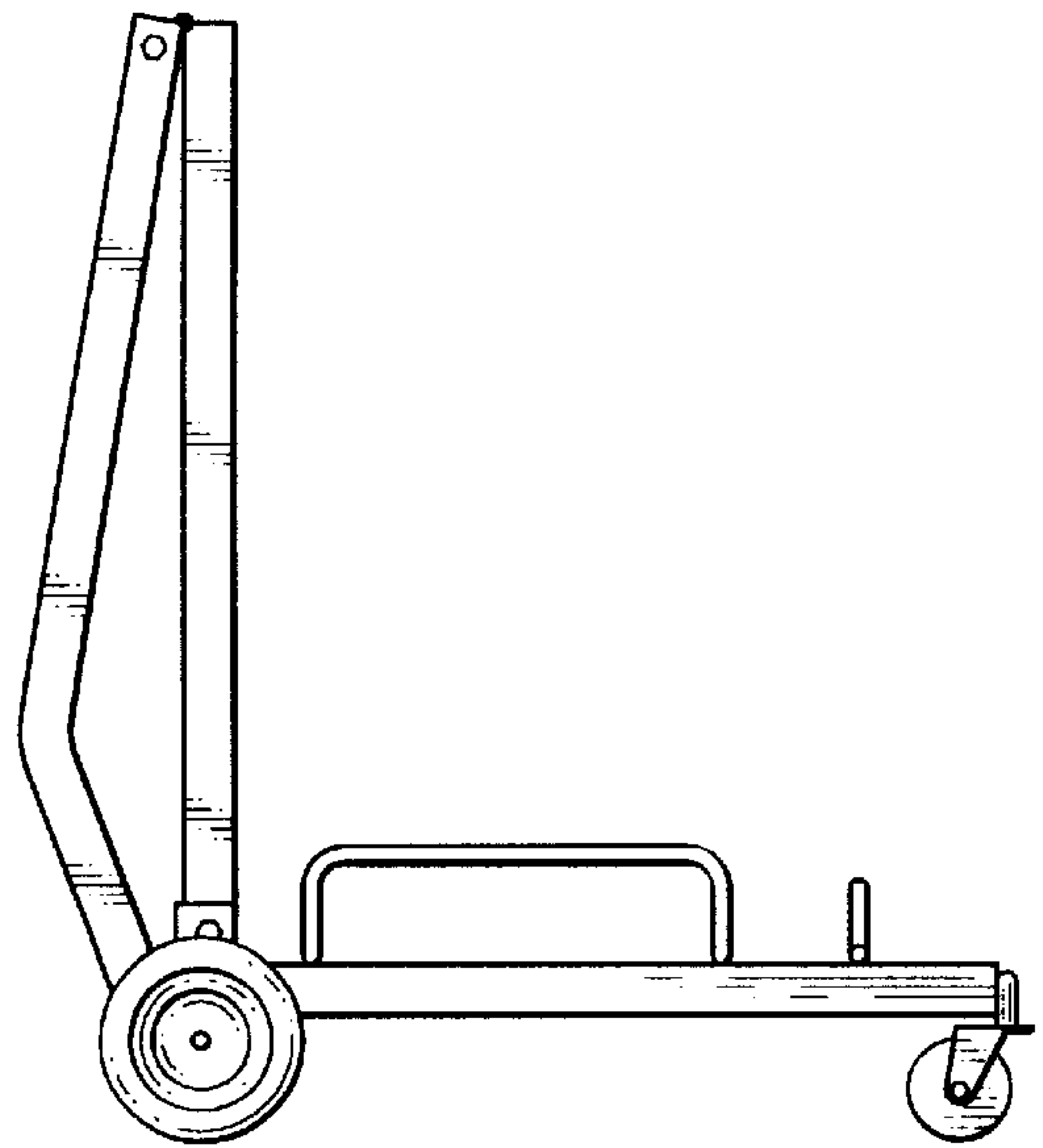


Fig. 8

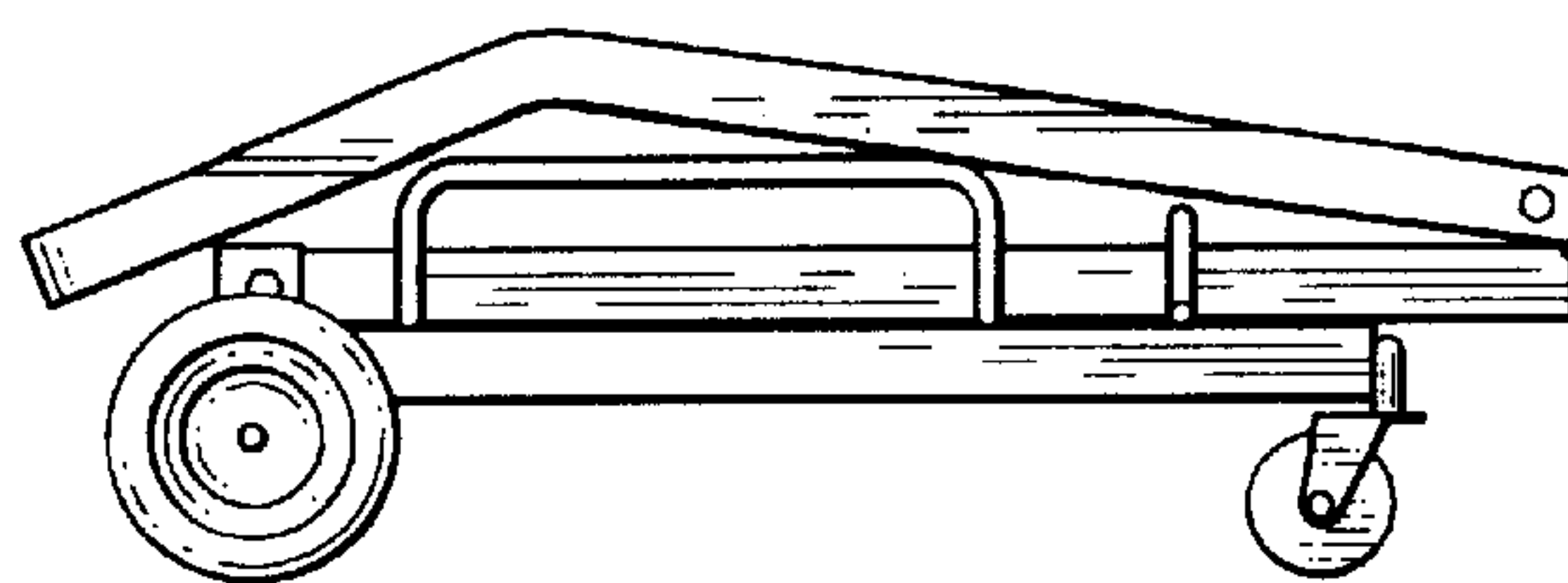


Fig. 9