



US00D399624S

United States Patent [19]
Lewis

[11] **Patent Number: Des. 399,624**

[45] **Date of Patent: **Oct. 13, 1998**

[54] **BAG HOLDER**

4,921,193 5/1990 Benesch 248/97

[76] Inventor: **George Lewis**, 5602 Bretshire St.,
Houston, Tex. 77016

Primary Examiner—Alan P. Douglas
Assistant Examiner—Robin V. Taylor

[**] Term: **14 Years**

[57] **CLAIM**

The ornamental design for a bag holder, as shown.

[21] Appl. No.: **79,828**

[22] Filed: **Nov. 19, 1997**

DESCRIPTION

[51] **LOC (6) Cl.** **09-09**

FIG. 1 is a left side elevational view of the bag holder of the present invention;

[52] **U.S. Cl.** **D34/6**

FIG. 2 is a right side elevational view of the bag holder of FIG. 1;

[58] **Field of Search** D34/1, 5-7; 220/908,
220/909; 248/95, 97, 99, 100

FIG. 3 is a front elevational view of the bag holder of FIG. 1;

[56] **References Cited**

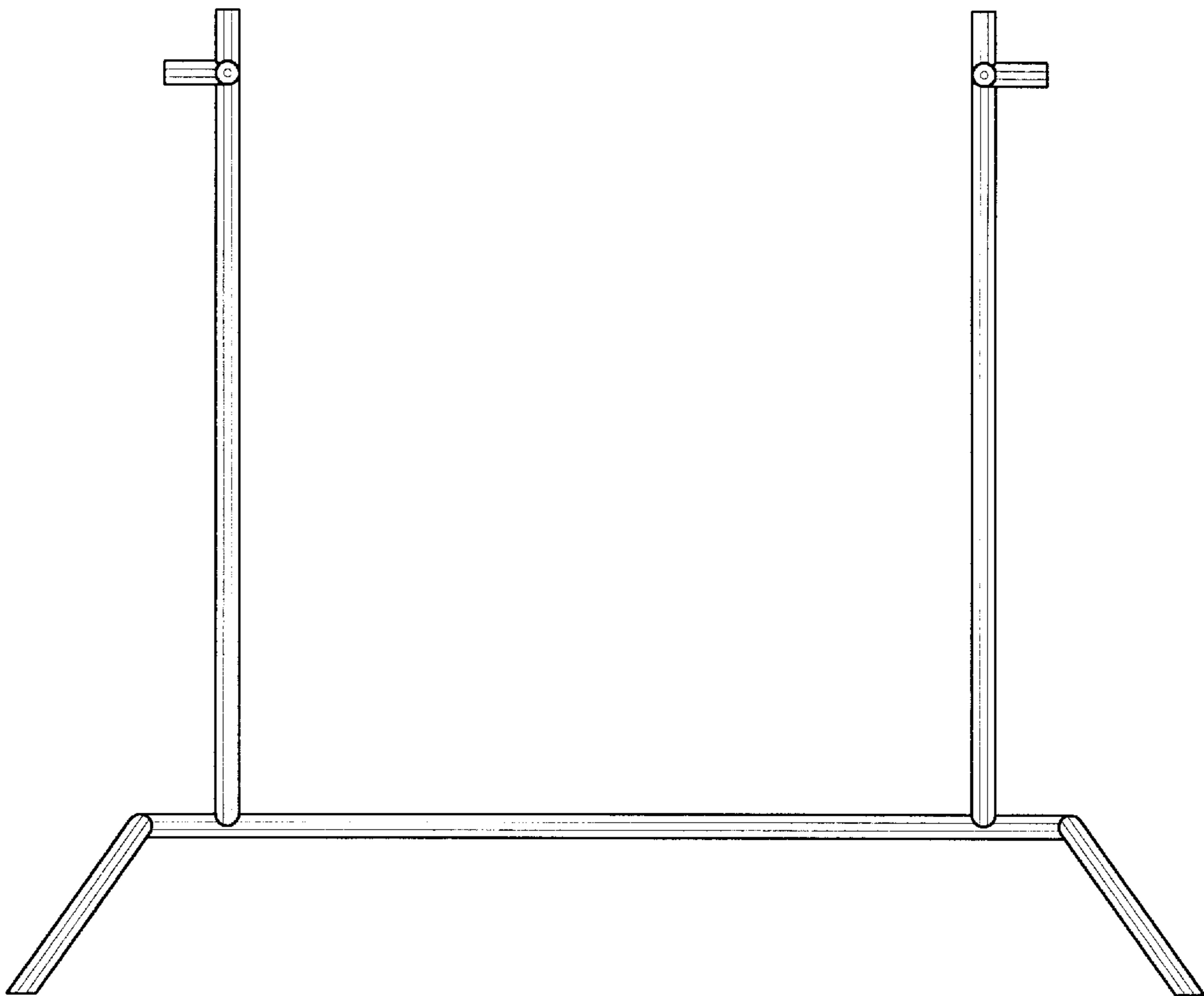
FIG. 4 is a back elevational view of the bag holder of FIG. 1;

U.S. PATENT DOCUMENTS

4,372,512 2/1983 Wolfe 248/97
4,646,802 3/1987 Basore et al. 248/97
4,802,647 2/1989 Celmayster et al. 248/97

FIG. 5 is a top plan view of the bag holder of FIG. 1; and,
FIG. 6 is a bottom plan view of the bag holder of FIG. 1.

1 Claim, 3 Drawing Sheets



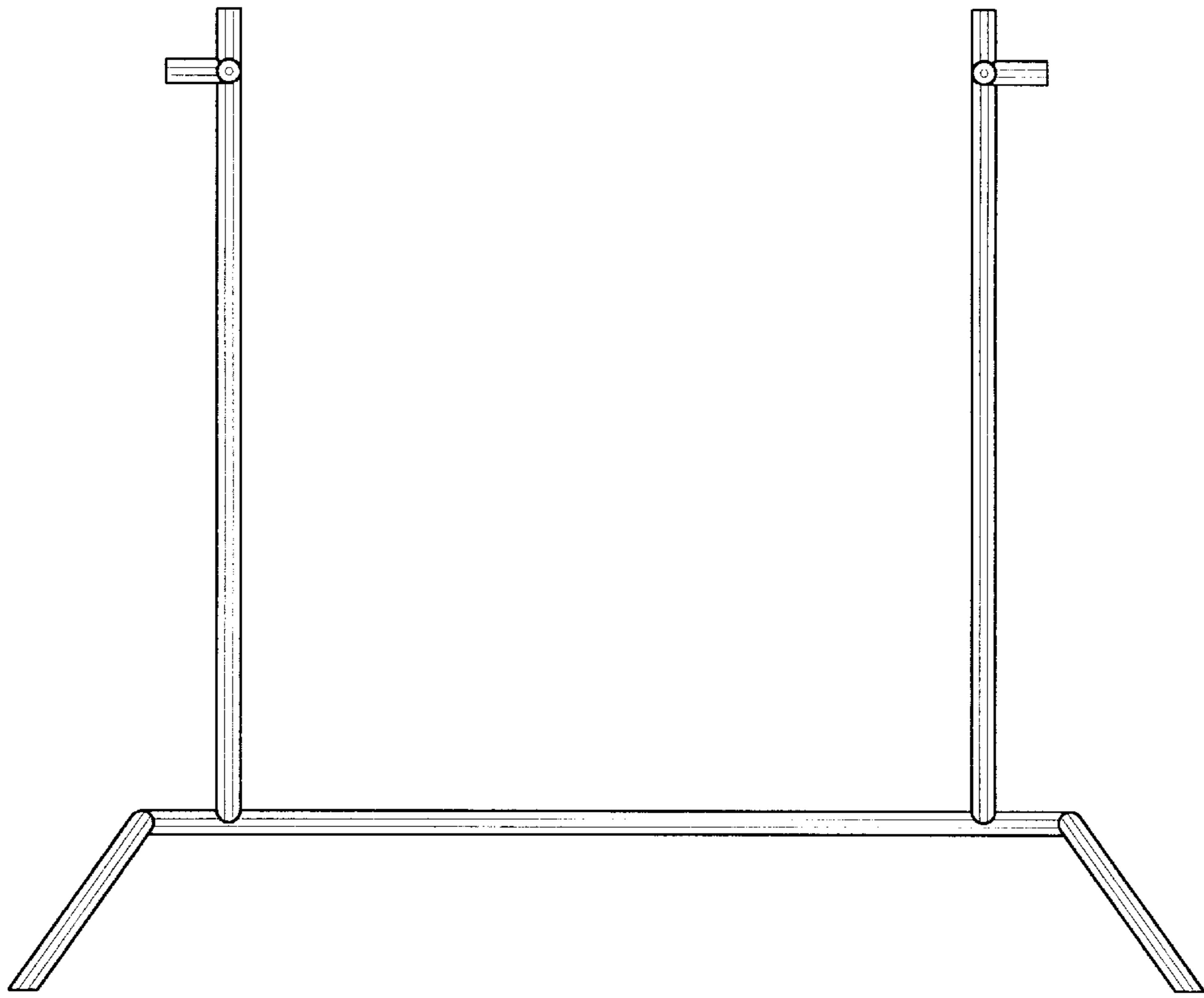


Fig. 1

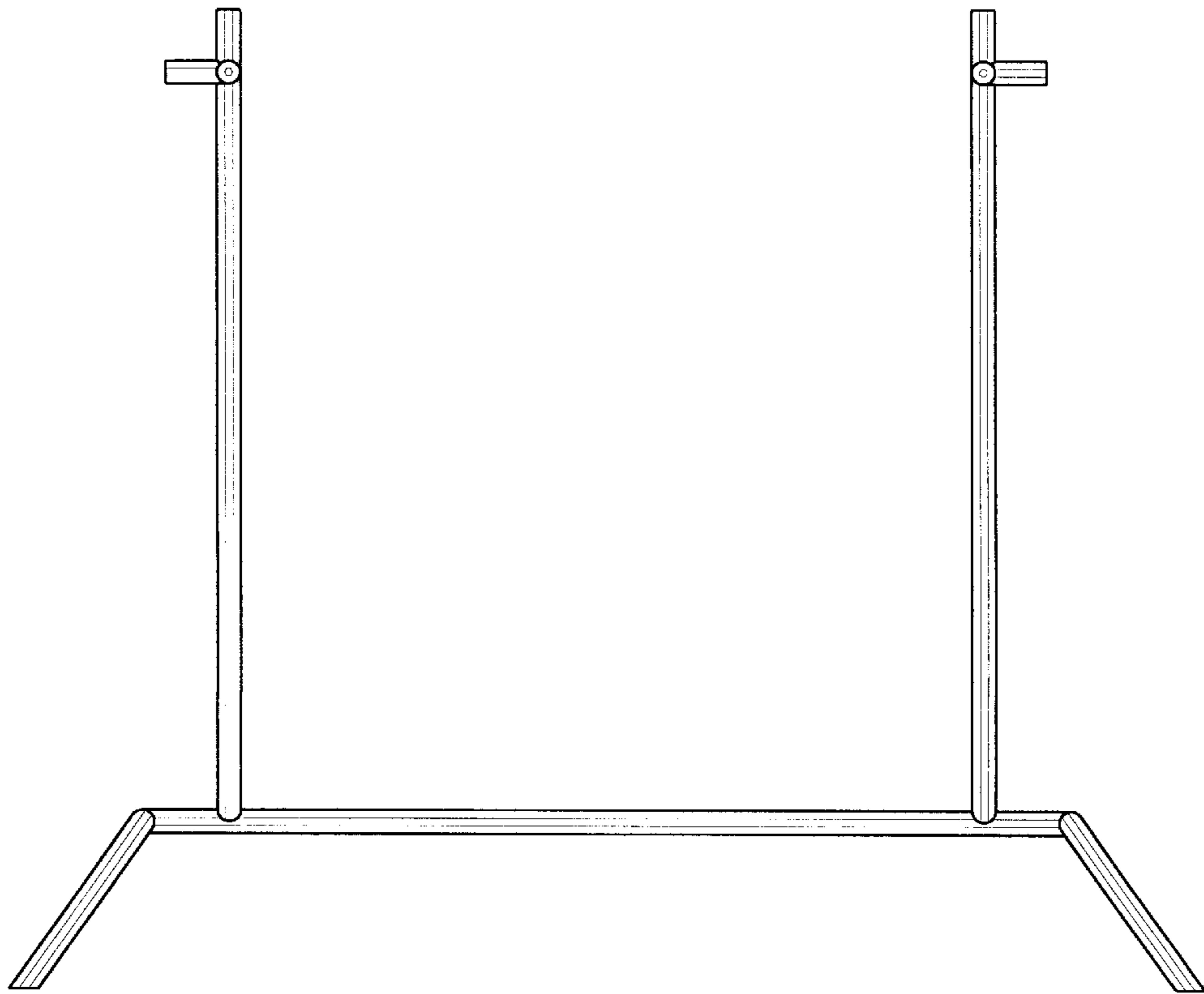


Fig. 2

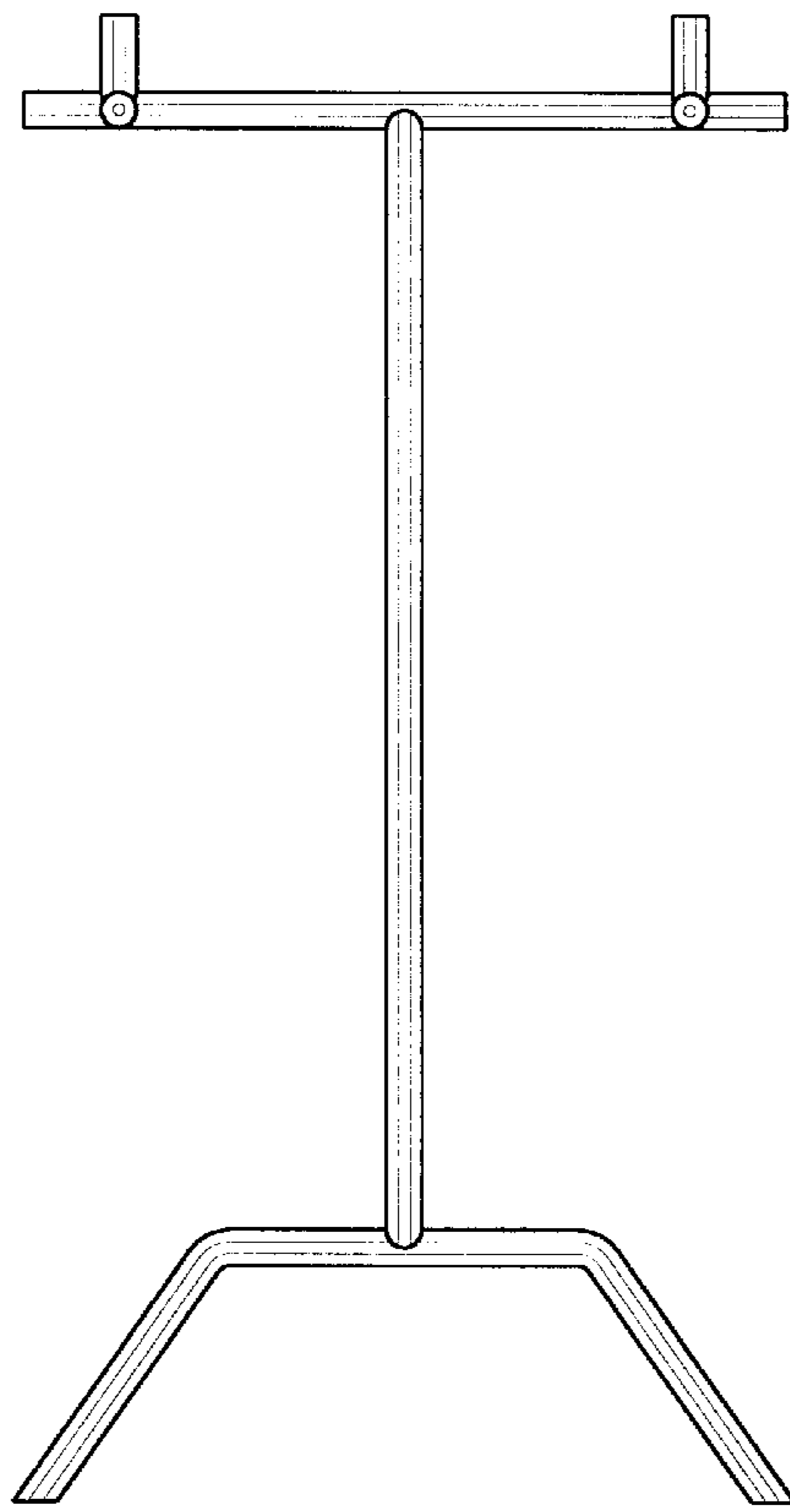


Fig. 3

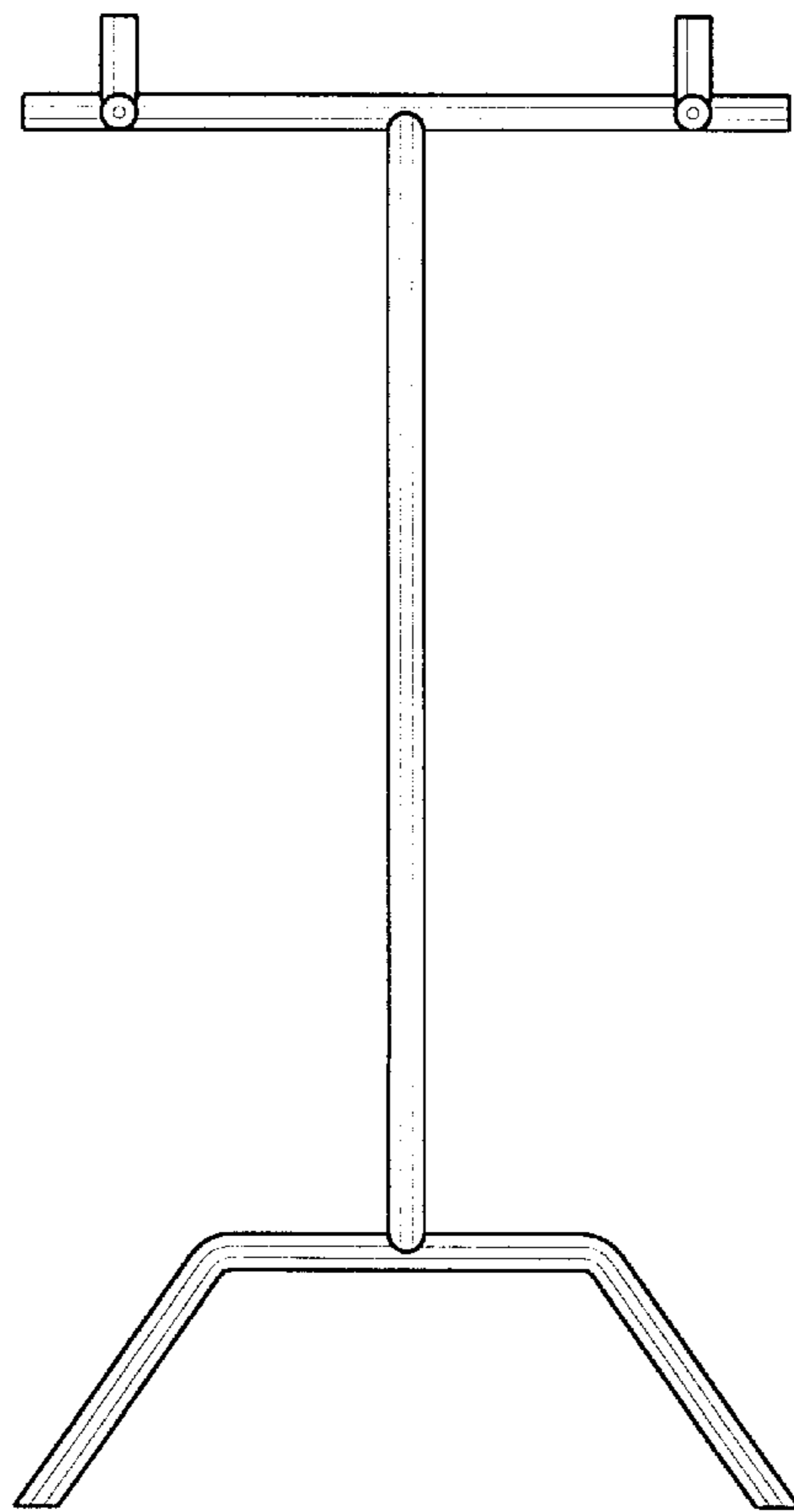


Fig. 4

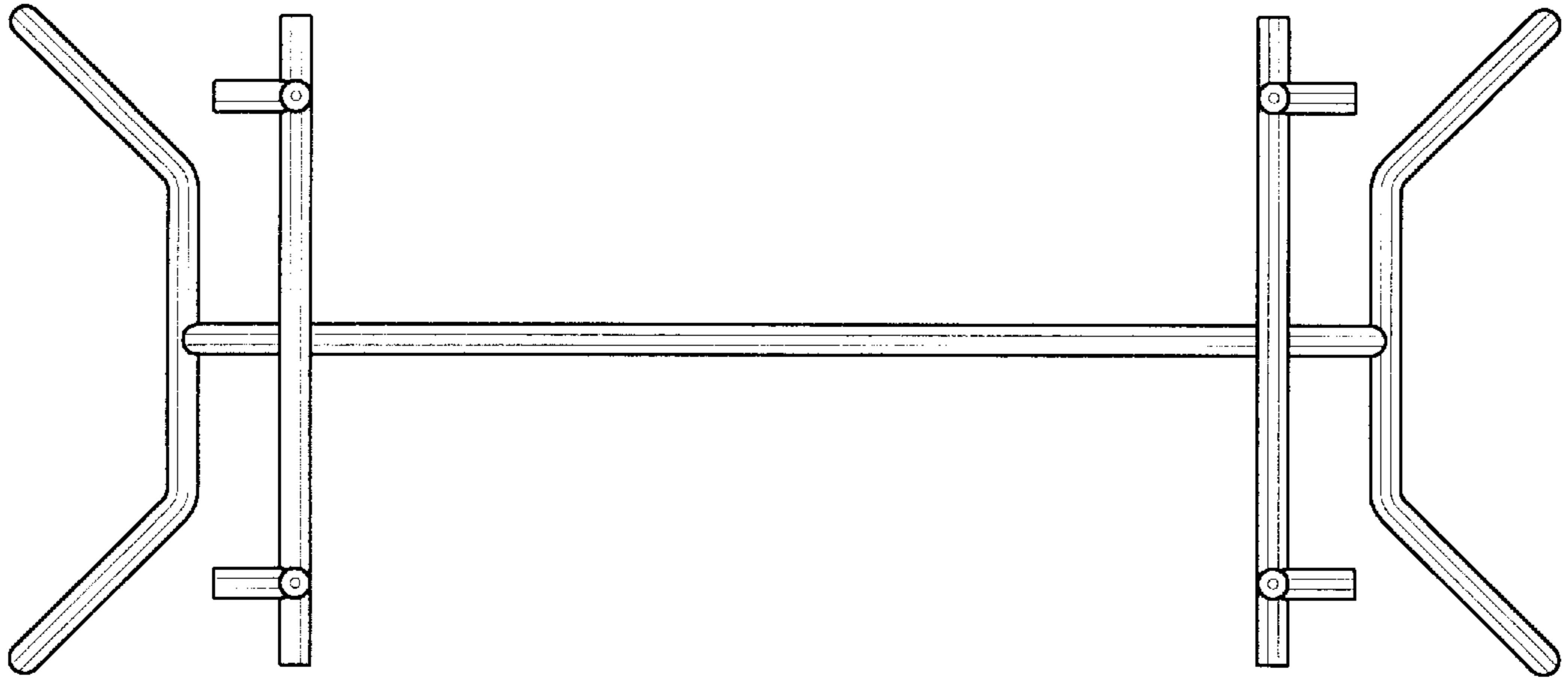


Fig. 5

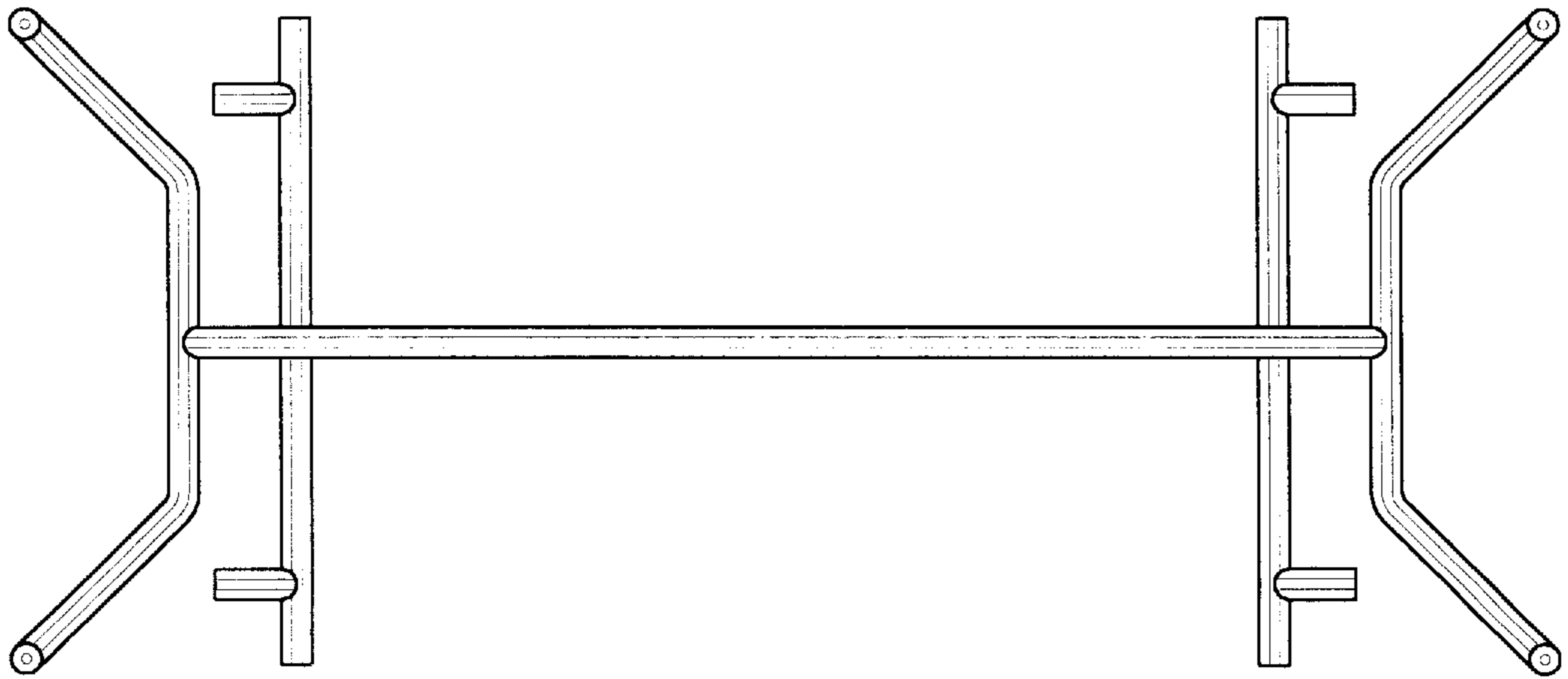


Fig. 6