



US00D399620S

# United States Patent [19] Roeker

[11] **Patent Number: Des. 399,620**

[45] **Date of Patent: \*\*Oct. 13, 1998**

[54] **SURFACE TREATING ARTICLE RETAINER**

5,386,608 2/1995 Montabaur et al. .  
5,545,078 8/1996 Schulz et al. .

[75] Inventor: **David C. Roeker**, Hudson, Wis.

### FOREIGN PATENT DOCUMENTS

[73] Assignee: **Minnesota Mining and Manufacturing Company**, St. Paul, Minn.

0 503 127 A1 9/1992 European Pat. Off. .  
0 566 761 A1 10/1993 European Pat. Off. .  
44 30 229 A1 2/1996 Germany .

[\*\*] Term: **14 Years**

### OTHER PUBLICATIONS

[21] Appl. No.: **68,817**

Regalite™ Sanding Rolls and Edger Discs Product Brochure, 3M Company Construction Markets, 98-0701-3902-1, dated 1992.

[22] Filed: **Mar. 28, 1997**

Dynabrade, Industrial Abrasive Power Tools and Accessories, 1996, p. 117.

[51] **LOC (6) Cl. .... 15-05**

3M Grindline Express, Coated Abrasive, Surface Conditioning, and Superabrasive Products 1996 Catalog, 3M Company, 60-4400-0168-7, pp. 1-68.

[52] **U.S. Cl. .... D32/25**

[58] **Field of Search .... D32/15-20, 25;  
15/179, 180, 230**

Dynorbital Random Orbital Disc Pads Stick on Discs, pp. 38 & 52 of Undated Product Brochure.

### [56] **References Cited**

#### U.S. PATENT DOCUMENTS

Re. 26,552	3/1969	Block et al. .	
D. 213,016	12/1968	Kleemeier et al. ....	D32/25
2,288,624	7/1942	Homsten .	
2,685,155	8/1954	Kuzma et al. .	
3,270,467	9/1966	Block et al. .	
3,436,876	4/1969	McAvoy et al. .	
3,518,709	7/1970	Zemke et al. .	
3,623,281	11/1971	Moffat .	
3,667,170	6/1972	MacKay, Jr. .	
3,864,884	2/1975	Weissman .	
4,138,804	2/1979	Thielen .	
4,245,438	1/1981	van Buren, Jr. .	
4,439,953	4/1984	Block et al. .	
4,541,207	9/1985	Antonson .	
4,730,952	3/1988	Wiley .	
4,839,998	6/1989	Block .	
4,888,843	12/1989	Smith et al. .	
4,932,163	6/1990	Chilton et al. .	
5,201,149	4/1993	Eisenblatter .	
5,201,785	4/1993	Nagano .	
5,263,283	11/1993	Rudolf et al. .	
5,307,592	5/1994	Wylde .	

*Primary Examiner*—Ted Shooman  
*Assistant Examiner*—Mitchell I. Siegel  
*Attorney, Agent, or Firm*—James J. Trussell

### [57] **CLAIM**

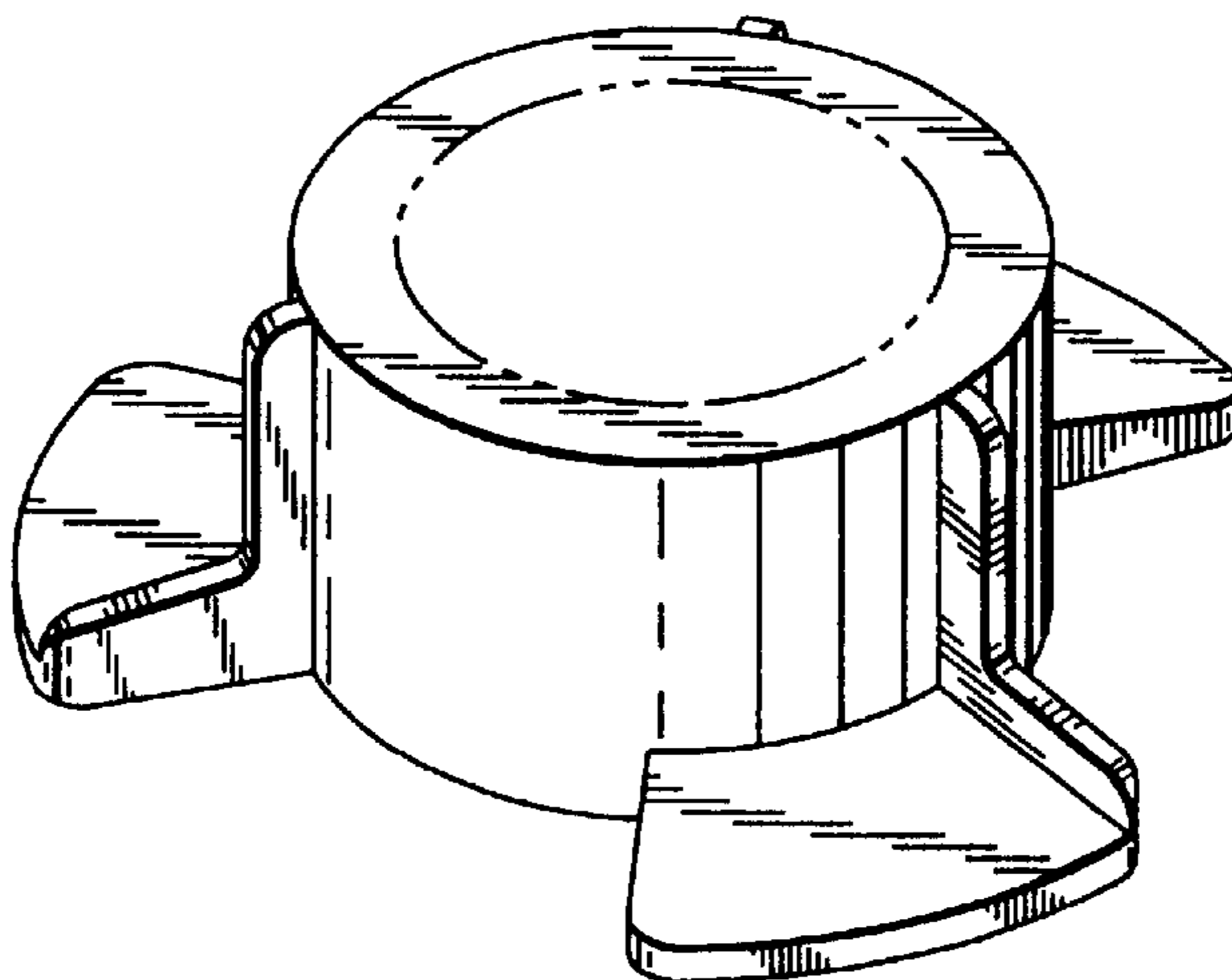
The ornamental design for a surface treating article retainer, as shown and described.

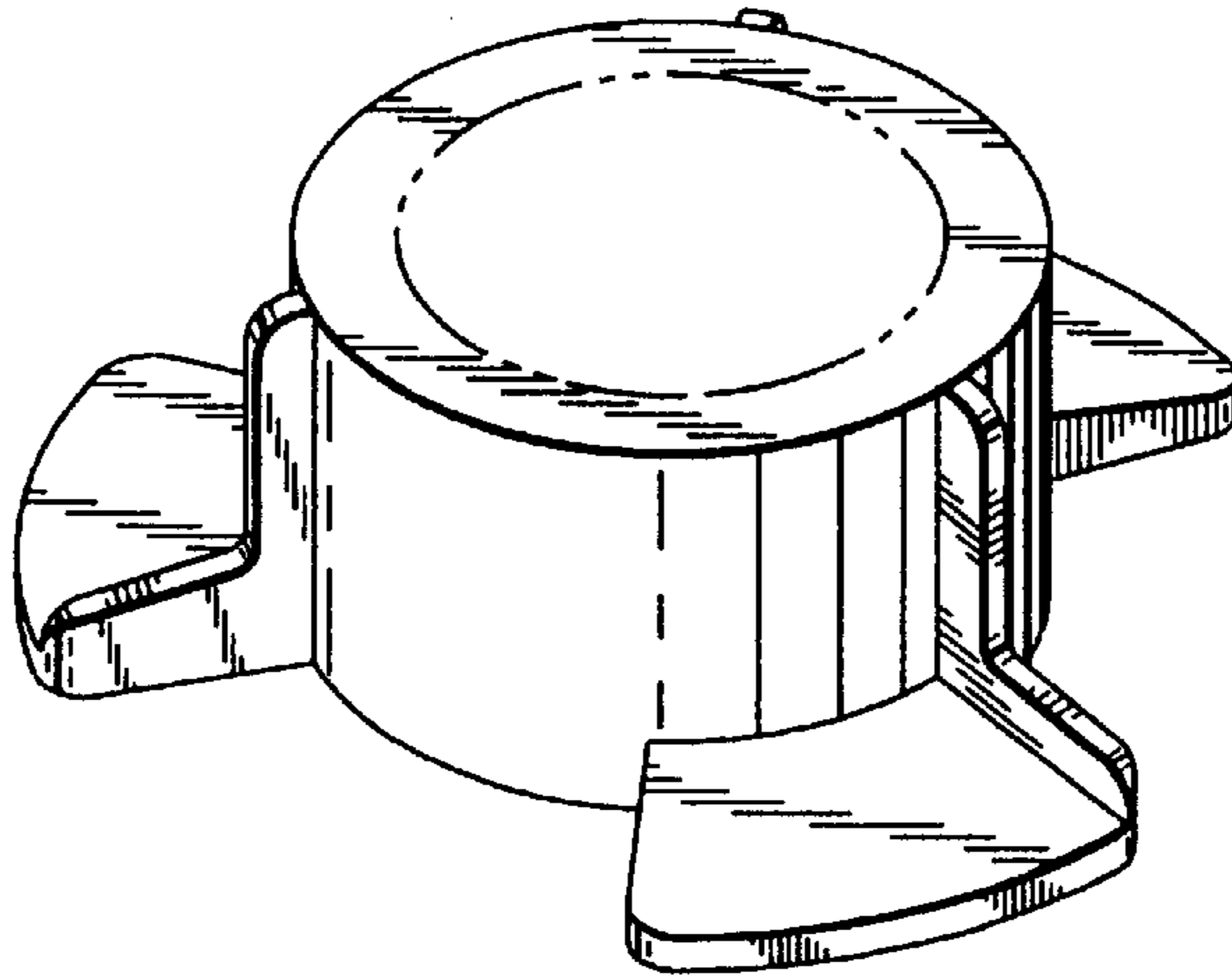
### **DESCRIPTION**

FIG. 1 is an isometric view a surface treating article retainer; FIG. 2 is a bottom plan view thereof; FIG. 3 is a top view thereof; FIG. 4 is a front side view thereof; FIG. 5 is a right side view thereof; FIG. 6 is a back side view thereof; and, FIG. 7 is a left side view thereof.

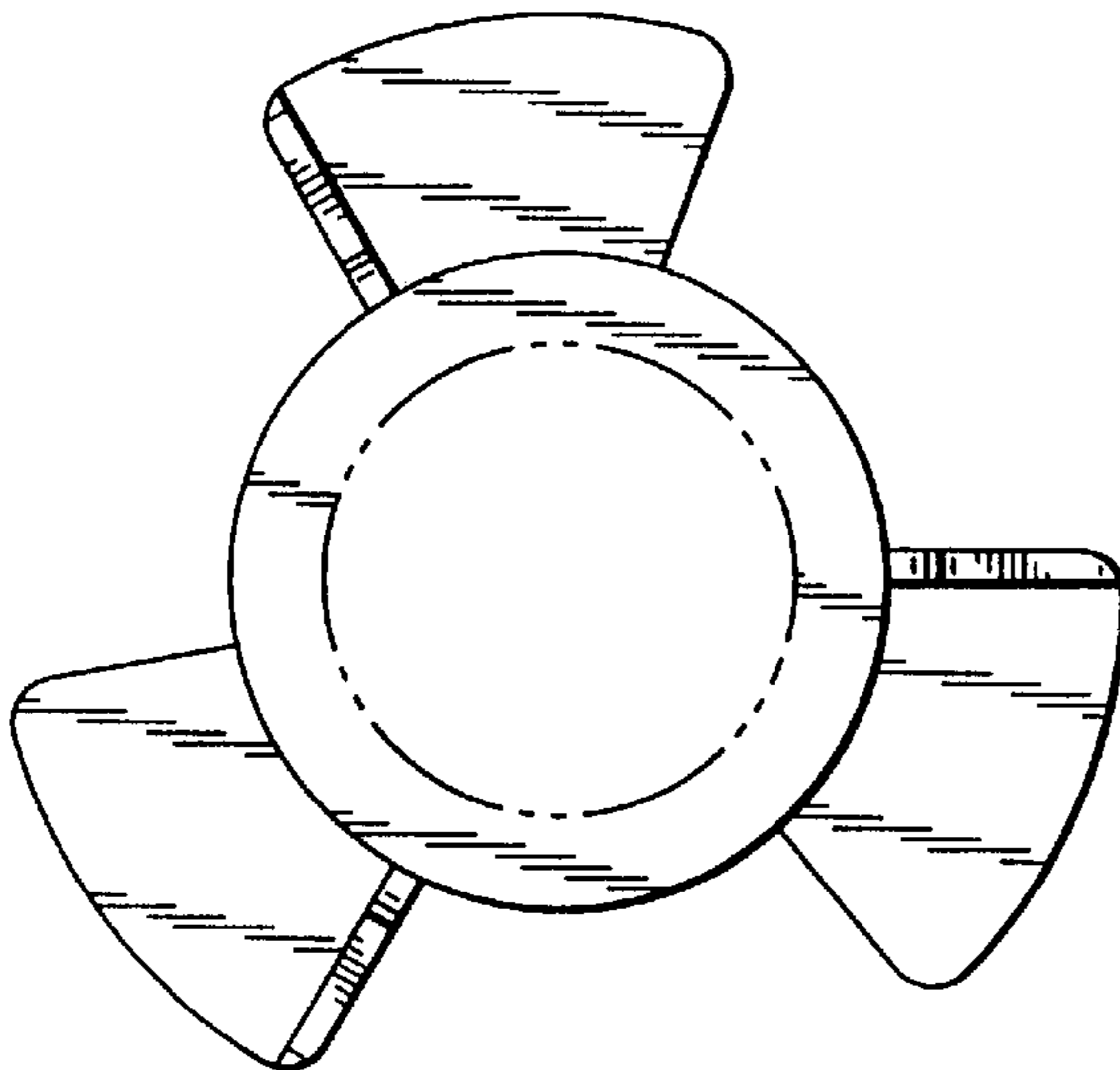
The broken line showing is for illustrative purposes only and forms no part of the claimed design.

**1 Claim, 2 Drawing Sheets**

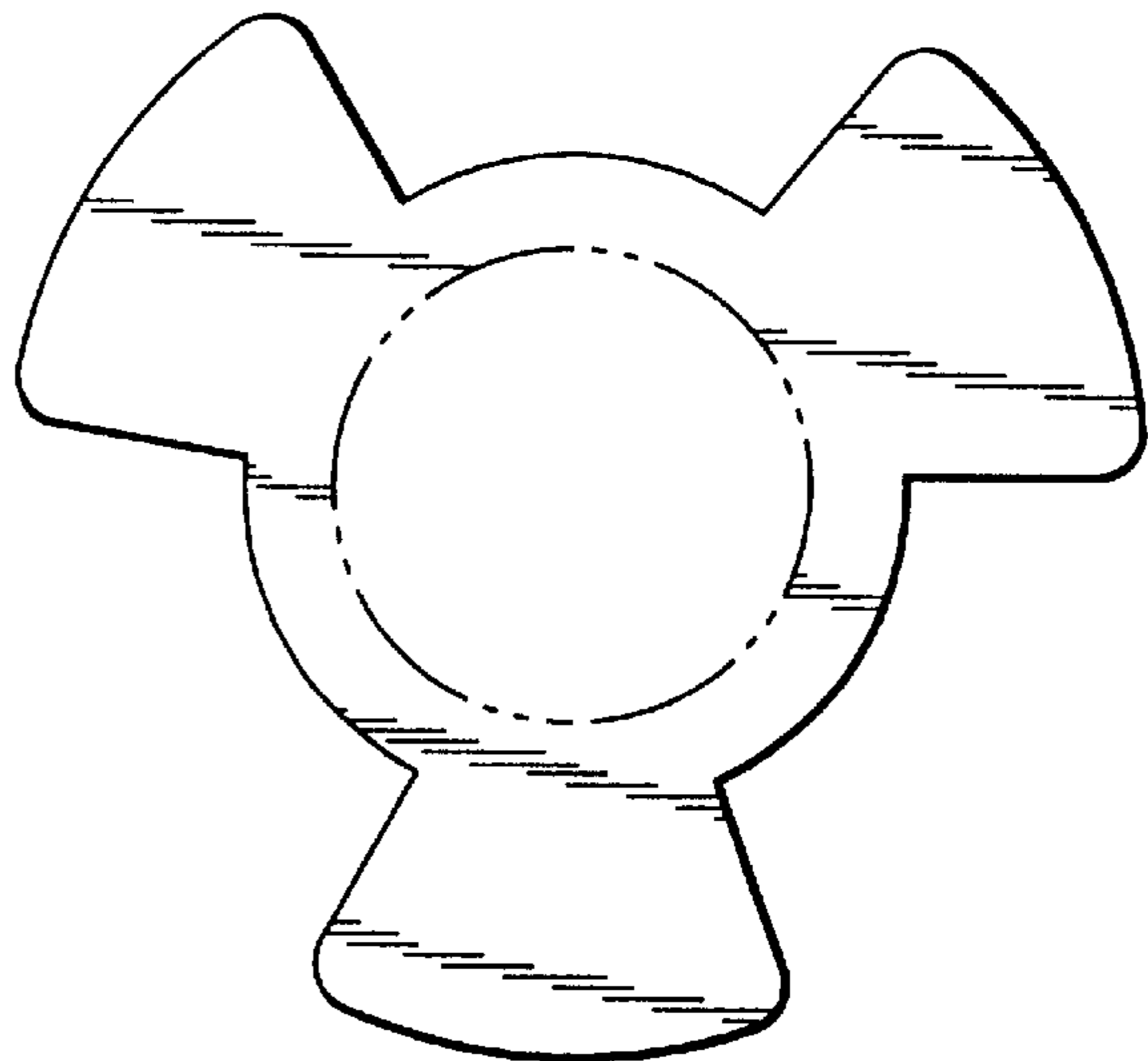




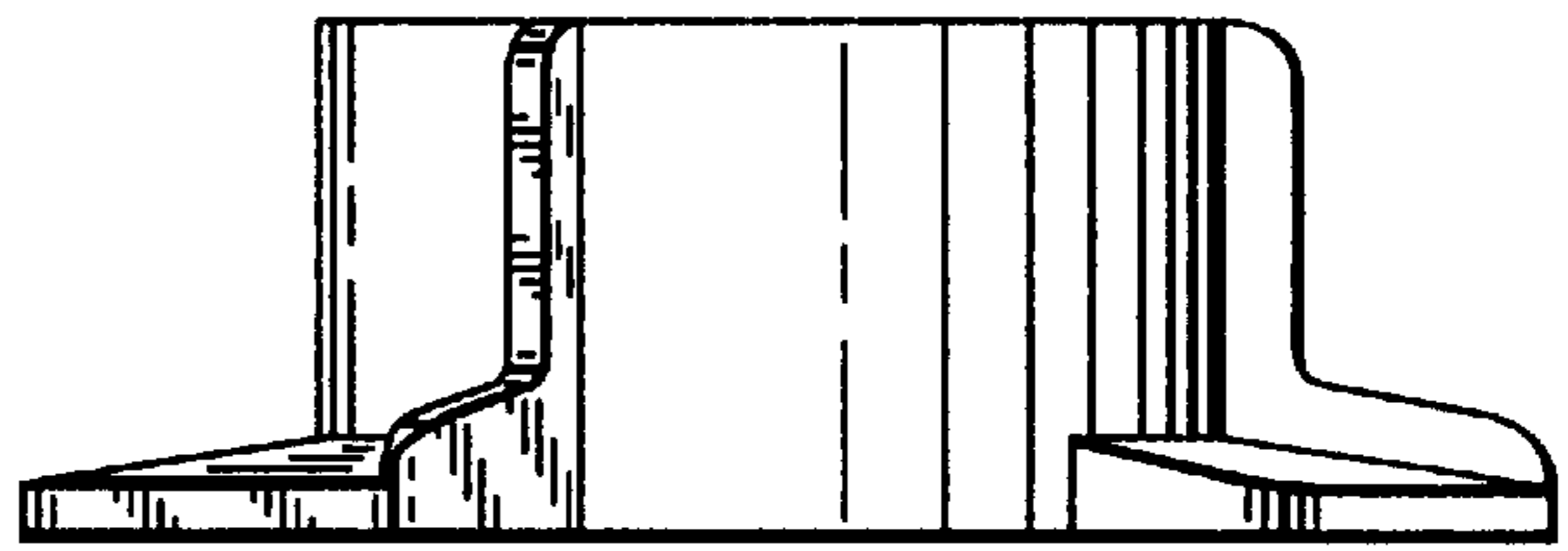
**Fig. 1**



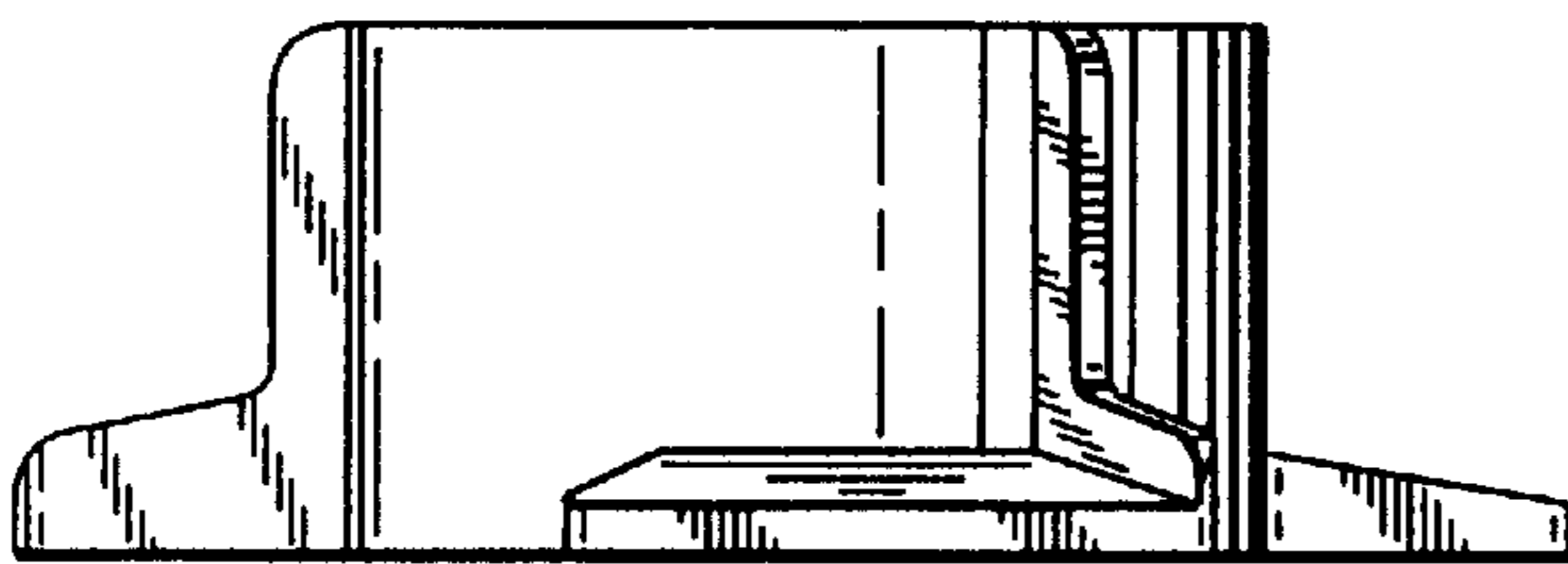
**Fig. 2**



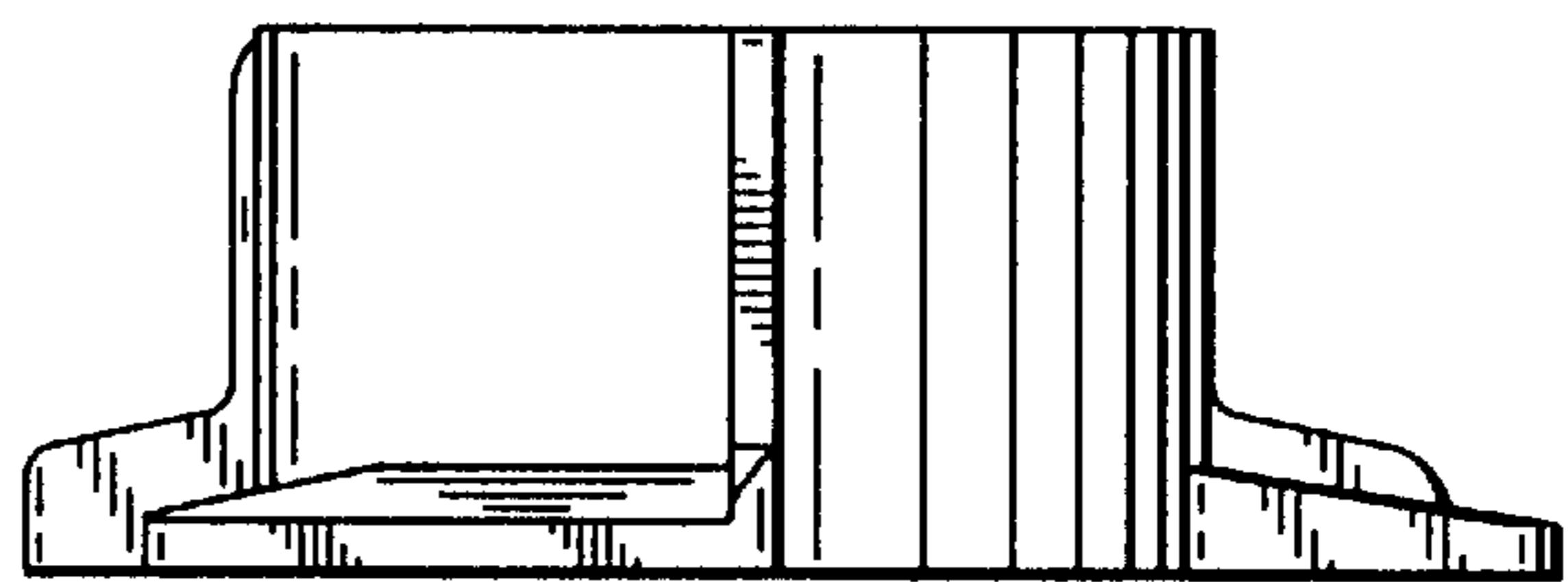
**Fig. 3**



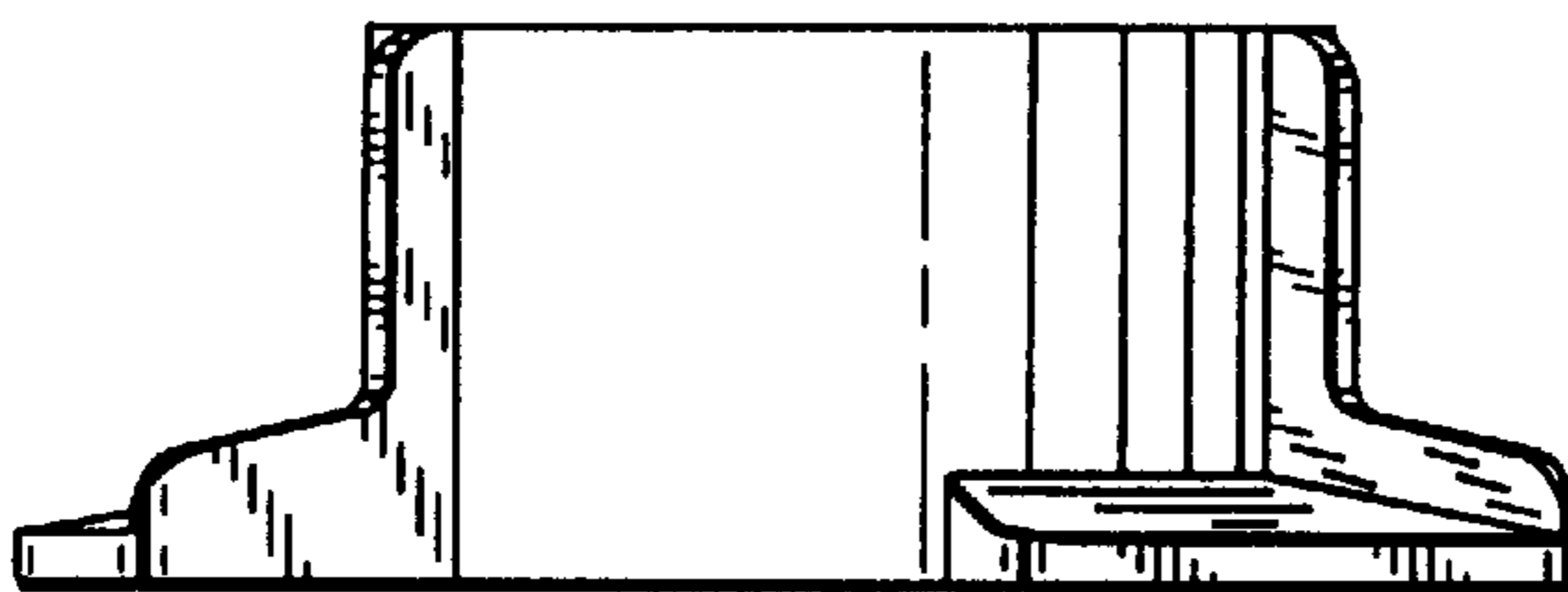
**Fig. 4**



**Fig. 5**



**Fig. 6**



**Fig. 7**