



US00D399619S

United States Patent [19]

Nakano et al.

[11] **Patent Number: Des. 399,619**

[45] **Date of Patent: **Oct. 13, 1998**

[54] **VACUUM CLEANER**

[75] Inventors: **Kazuhiko Nakano, Kasai; Kenji Ikeno, Ono, both of Japan**

[73] Assignee: **Sanyo Electric Co., Ltd., Osaka, Japan**

[**] Term: **14 Years**

[21] Appl. No.: **76,919**

[22] Filed: **Sep. 26, 1997**

[30] **Foreign Application Priority Data**

Apr. 8, 1997 [JP] Japan 9-50725

[51] **LOC (6) Cl. 15-05**

[52] **U.S. Cl. D32/22**

[58] **Field of Search** D32/18, 22, 31-34;
15/320-322, 323, 329, 335, 344, 347, 350,
352, 353, 361, 410, 412

[56] **References Cited**

U.S. PATENT DOCUMENTS

D. 304,104 10/1989 Busalt et al. D32/18

D. 307,657 5/1990 Li D32/18
D. 310,438 9/1990 Burns D32/22
D. 381,479 7/1997 Worwag D32/22
D. 382,682 8/1997 Wareham et al. D32/22
D. 386,843 11/1997 Strohmeyer et al. D32/22

OTHER PUBLICATIONS

Design, Oct. 1985, p. 37 Vacuum cleaner upright.

Primary Examiner—Ruth McInroy

Attorney, Agent, or Firm—Morrison Law Firm

[57] **CLAIM**

The ornamental design for an electric vacuum cleaner, as shown and described.

DESCRIPTION

FIG. 1 is a front elevational view of an electric vacuum cleaner showing our design;
FIG. 2 is a right side elevational view thereof;
FIG. 3 is a left side elevational view thereof;
FIG. 4 is a rear elevational view thereof;
FIG. 5 is a top plan view thereof; and,
FIG. 6 is a bottom plan view thereof.

1 Claim, 5 Drawing Sheets

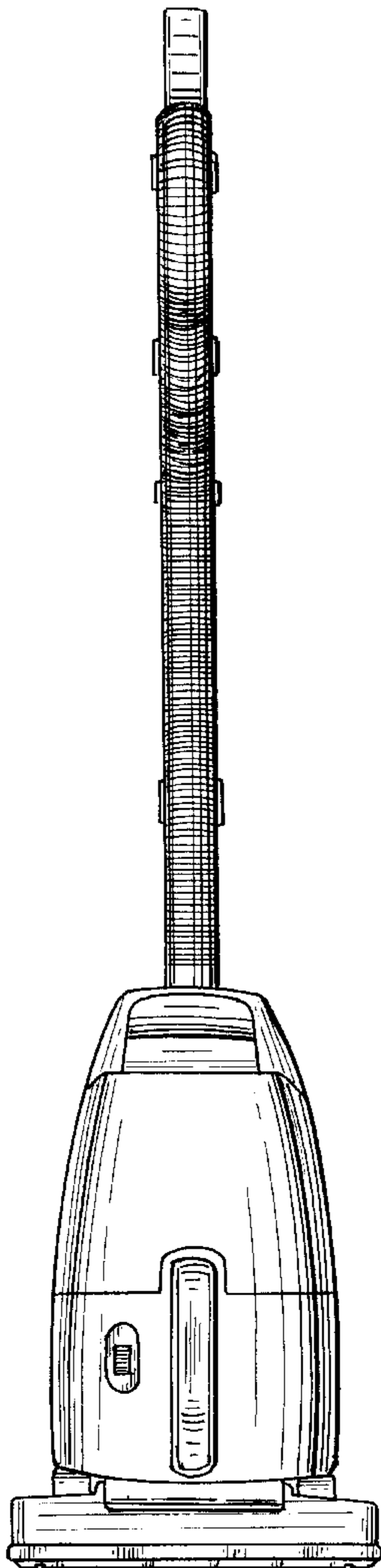


FIG. 1

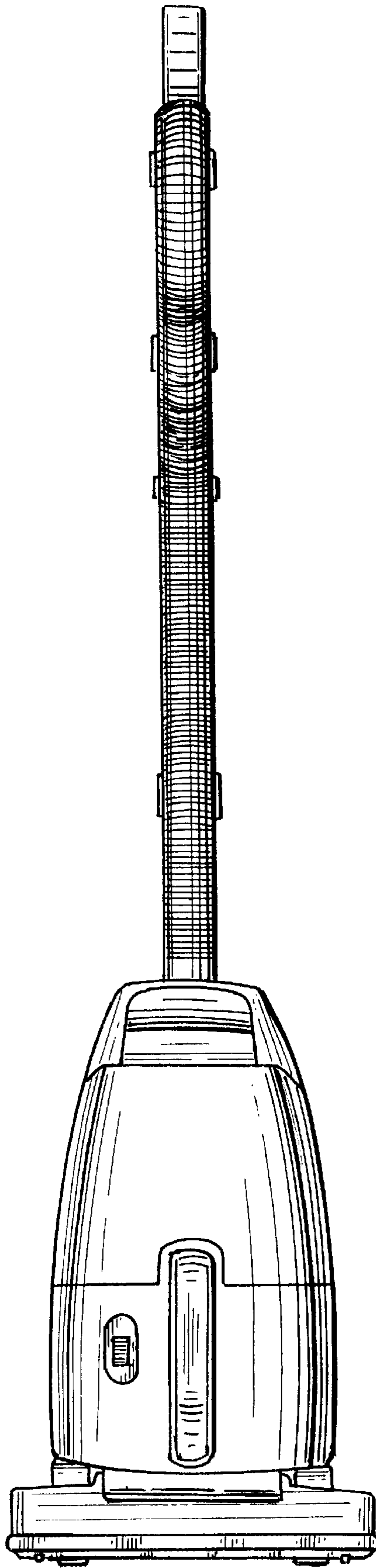


FIG. 2

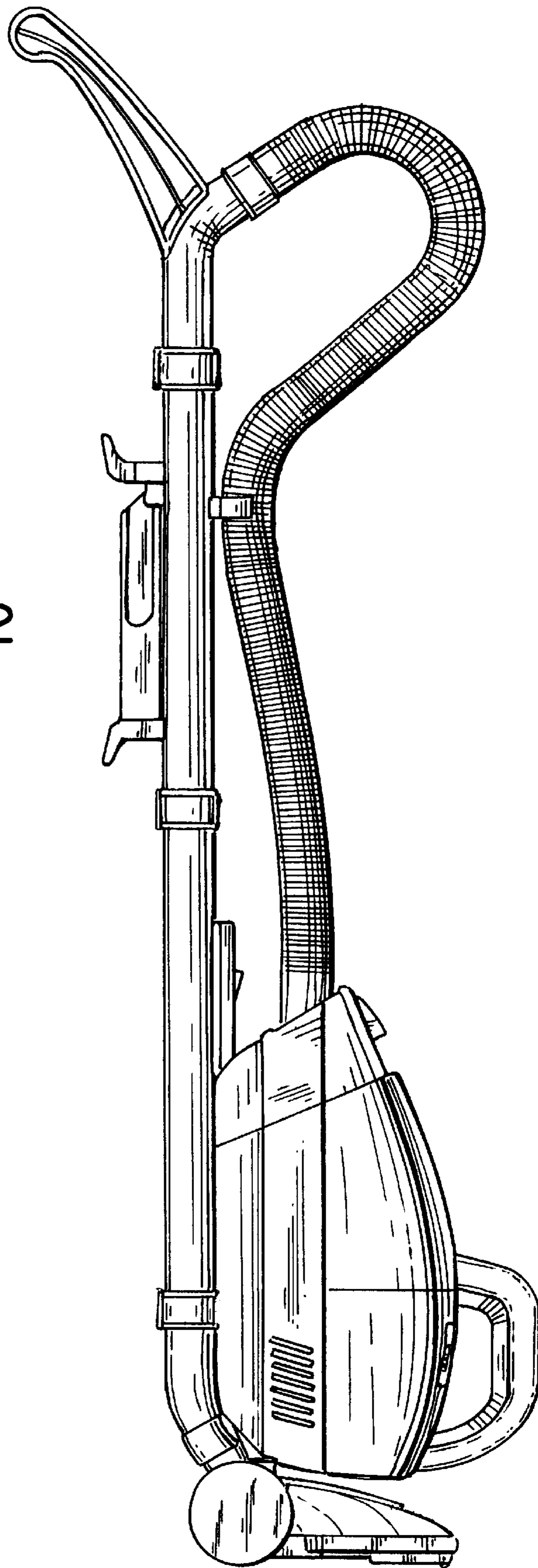


FIG. 3

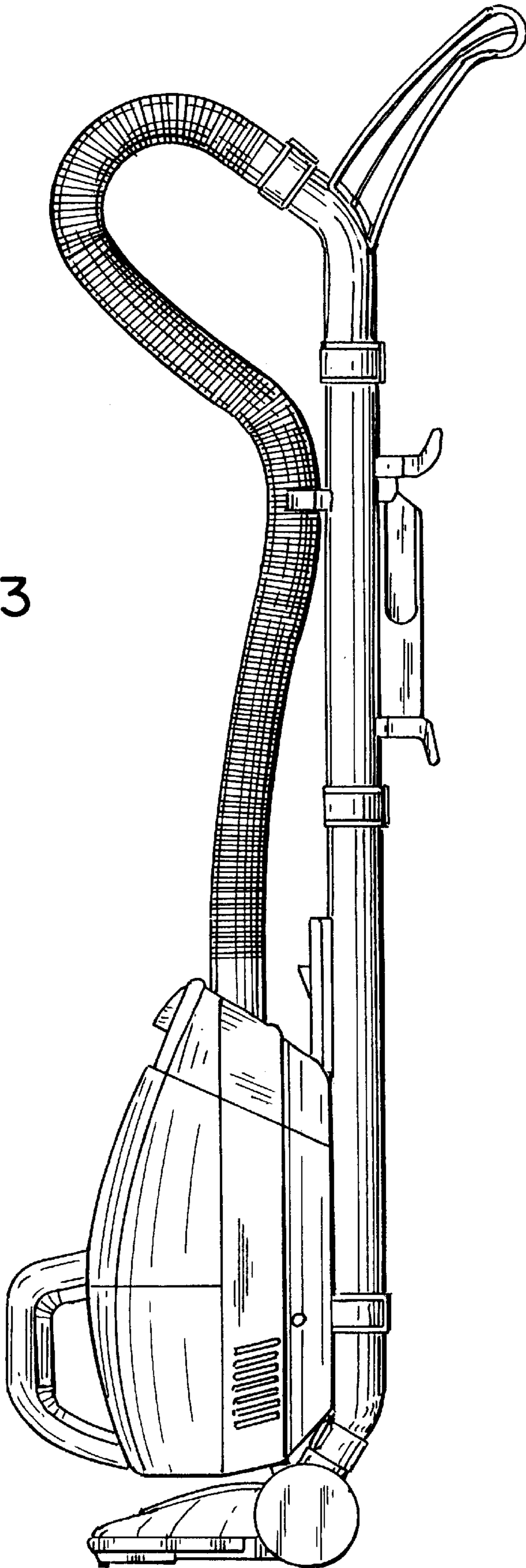


FIG. 4

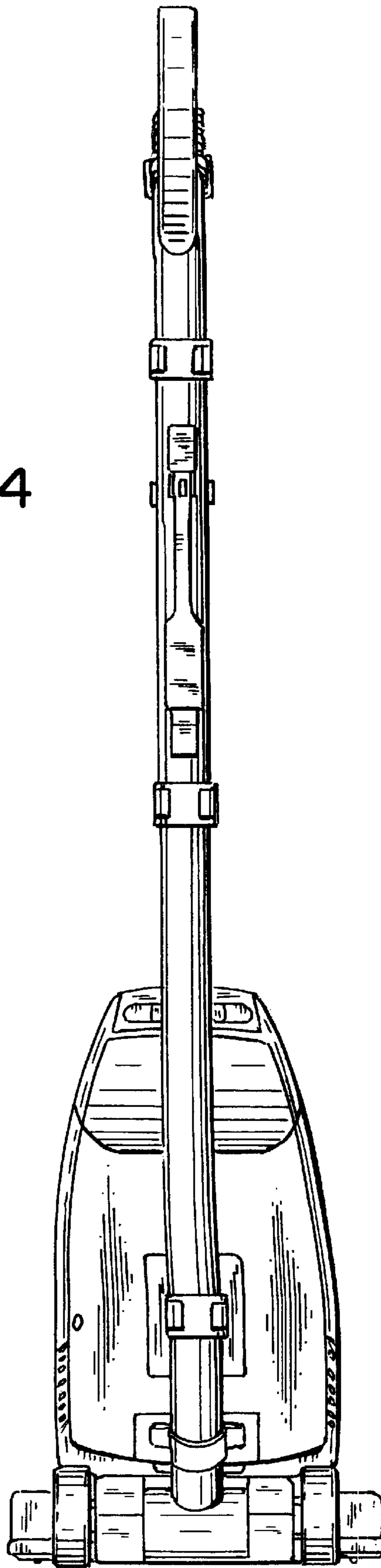


FIG. 5

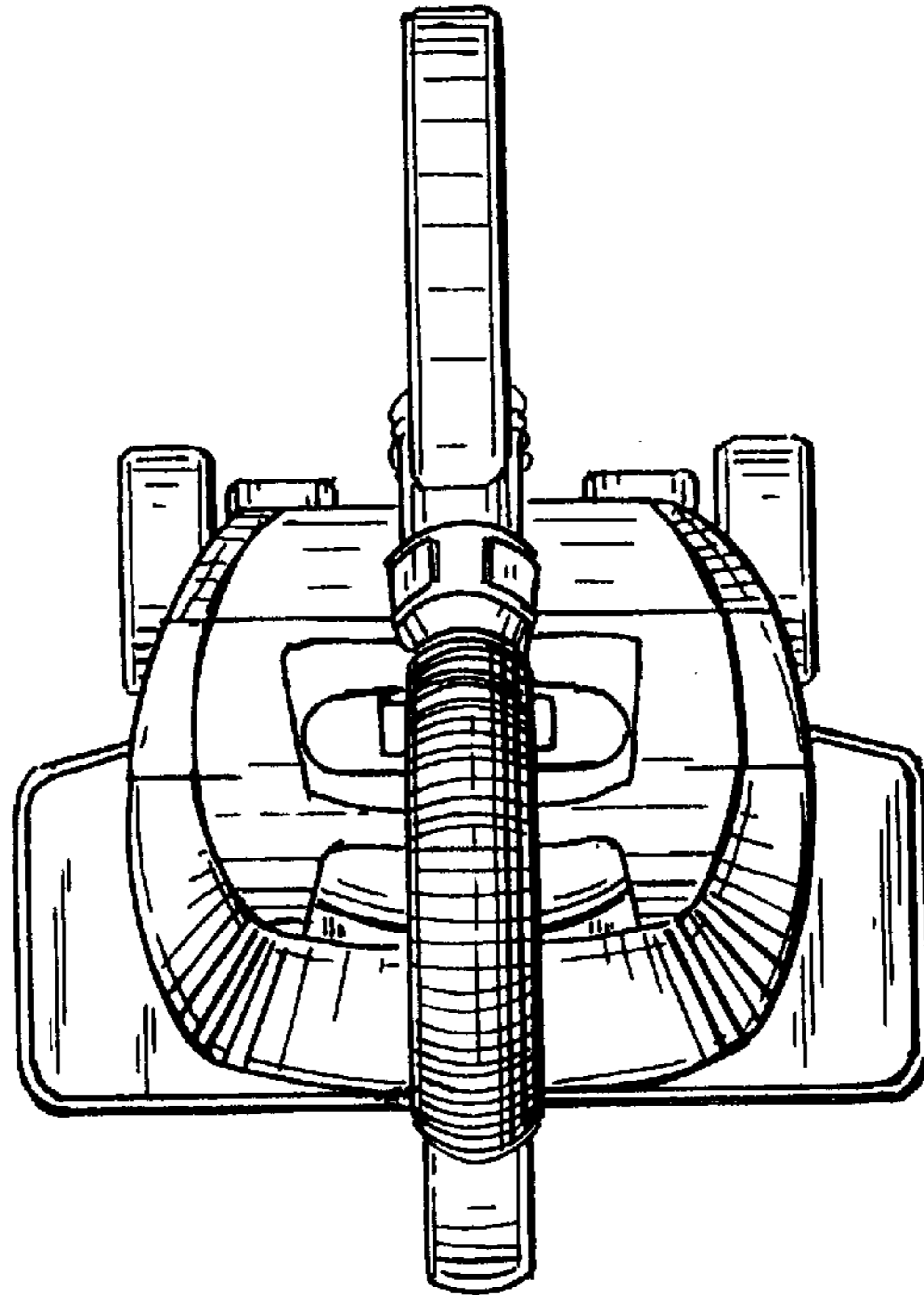


FIG. 6

