



US00D399618S

United States Patent [19] Jacobs

[11] **Patent Number: Des. 399,618**

[45] **Date of Patent: **Oct. 13, 1998**

[54] **HAND-HELD VACUUM CLEANER**

[75] Inventor: **Frido Jacobs**, Harsewinkel, Germany

[73] Assignee: **Carl Miele & Cie. GmbH & Co.**,
Guetersloh, Germany

[**] Term: **14 Years**

[21] Appl. No.: **74,435**

[22] Filed: **Aug. 4, 1997**

[30] Foreign Application Priority Data

Feb. 13, 1997 [DE] Germany M 97 01 400.1

[51] **LOC (6) Cl.** **15-05**

[52] **U.S. Cl.** **D32/22**

[58] **Field of Search** D32/18, 22, 31-34;
15/320-322, 323, 329, 335, 344, 347, 350,
352, 353, 361, 410, 412

[56] References Cited

U.S. PATENT DOCUMENTS

D. 290,895 7/1987 Thomas et al. D32/22

D. 301,649	6/1989	Yamamoto et al.	D32/22
D. 304,104	10/1989	Busalt et al.	D32/18
D. 306,225	2/1990	Correa	D32/22
D. 307,656	5/1990	Yuen	D32/22
D. 307,657	5/1990	Li	D32/22
D. 359,604	6/1995	Sovis et al.	D32/22
D. 383,681	9/1997	Thomas	D32/22

Primary Examiner—Ruth McInroy
Attorney, Agent, or Firm—Karl Hormann

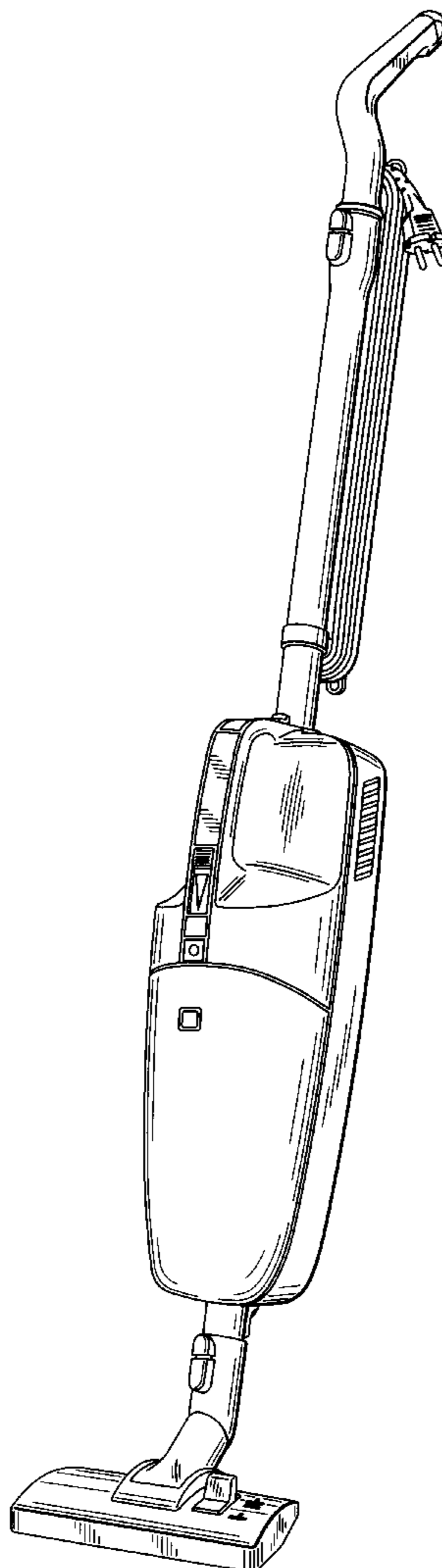
[57] CLAIM

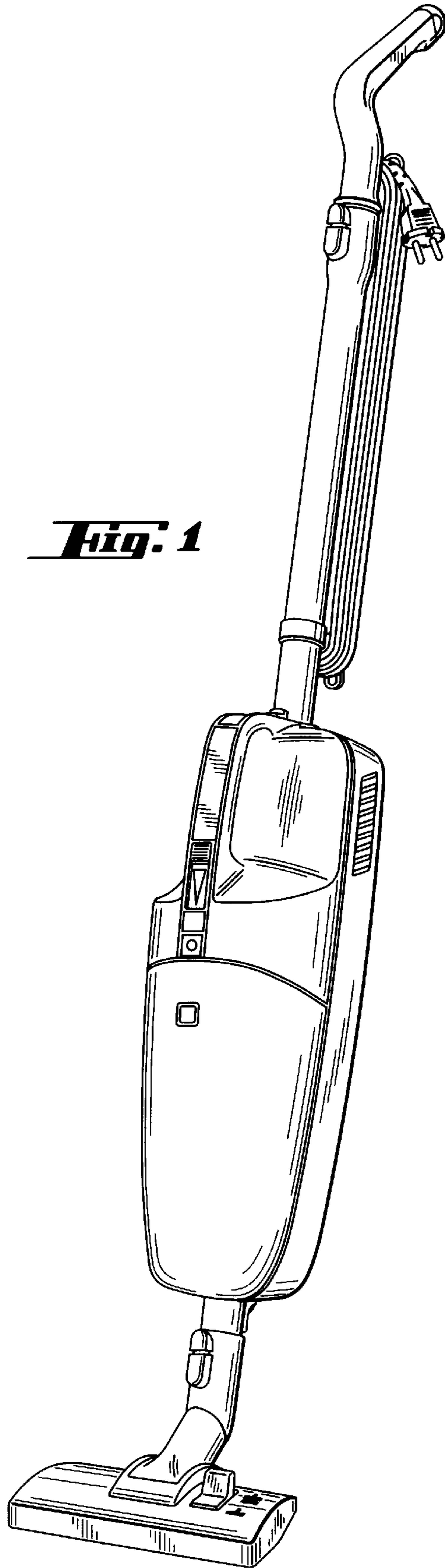
The ornamental design of the hand-held vacuum cleaner, as shown and described.

DESCRIPTION

FIG. 1 is a right, front perspective view of a hand-held vacuum cleaner showing my new design; FIG. 2 is a front elevational view thereof; FIG. 3 is a rear elevational view thereof; FIG. 4 is a left side elevational view thereof; FIG. 5 is a right side elevational view thereof; FIG. 6 is a top plan view thereof; and, FIG. 7 is a bottom plan view thereof.

1 Claim, 4 Drawing Sheets





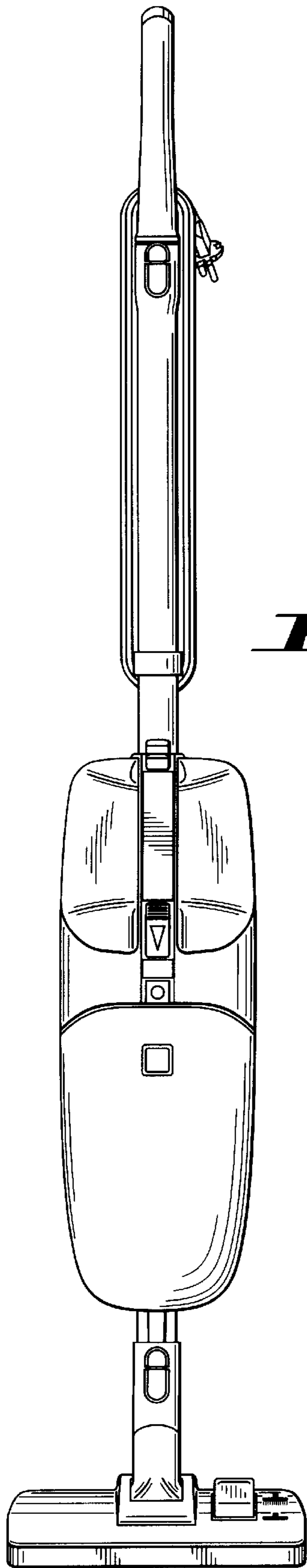


Fig. 2

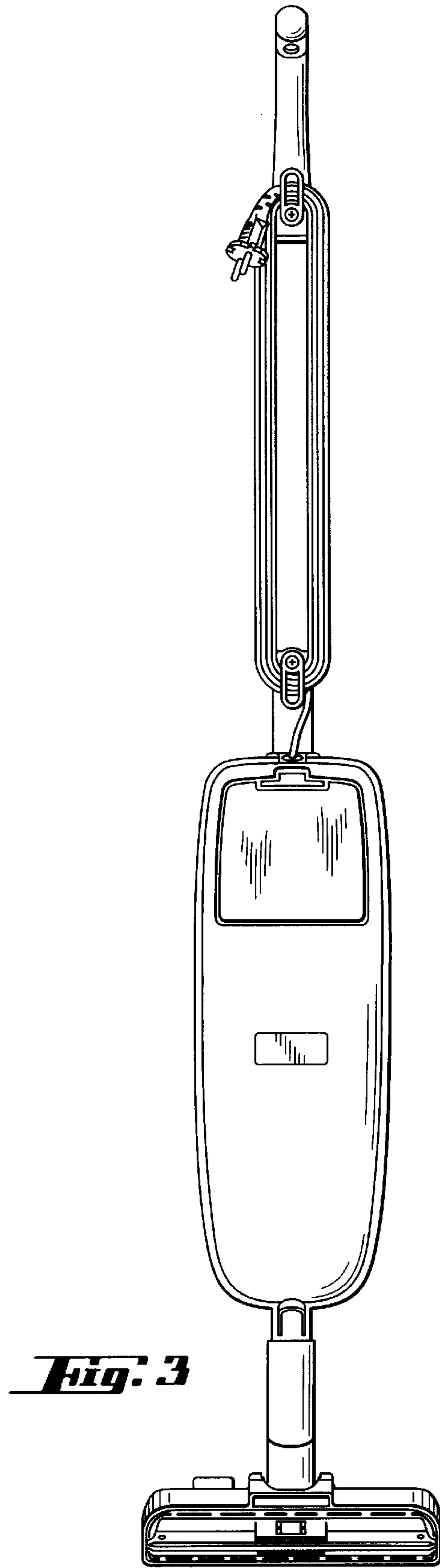


Fig. 3

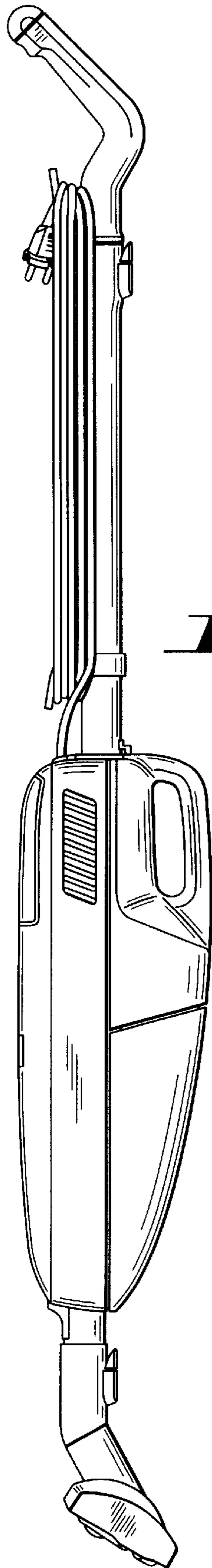


Fig. 4

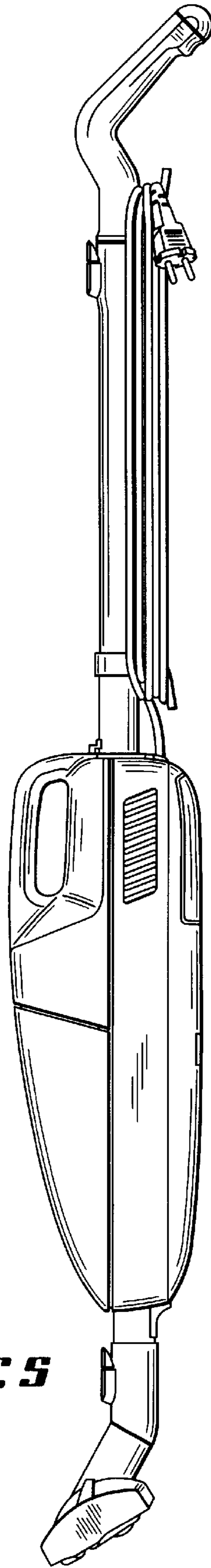


Fig. 5

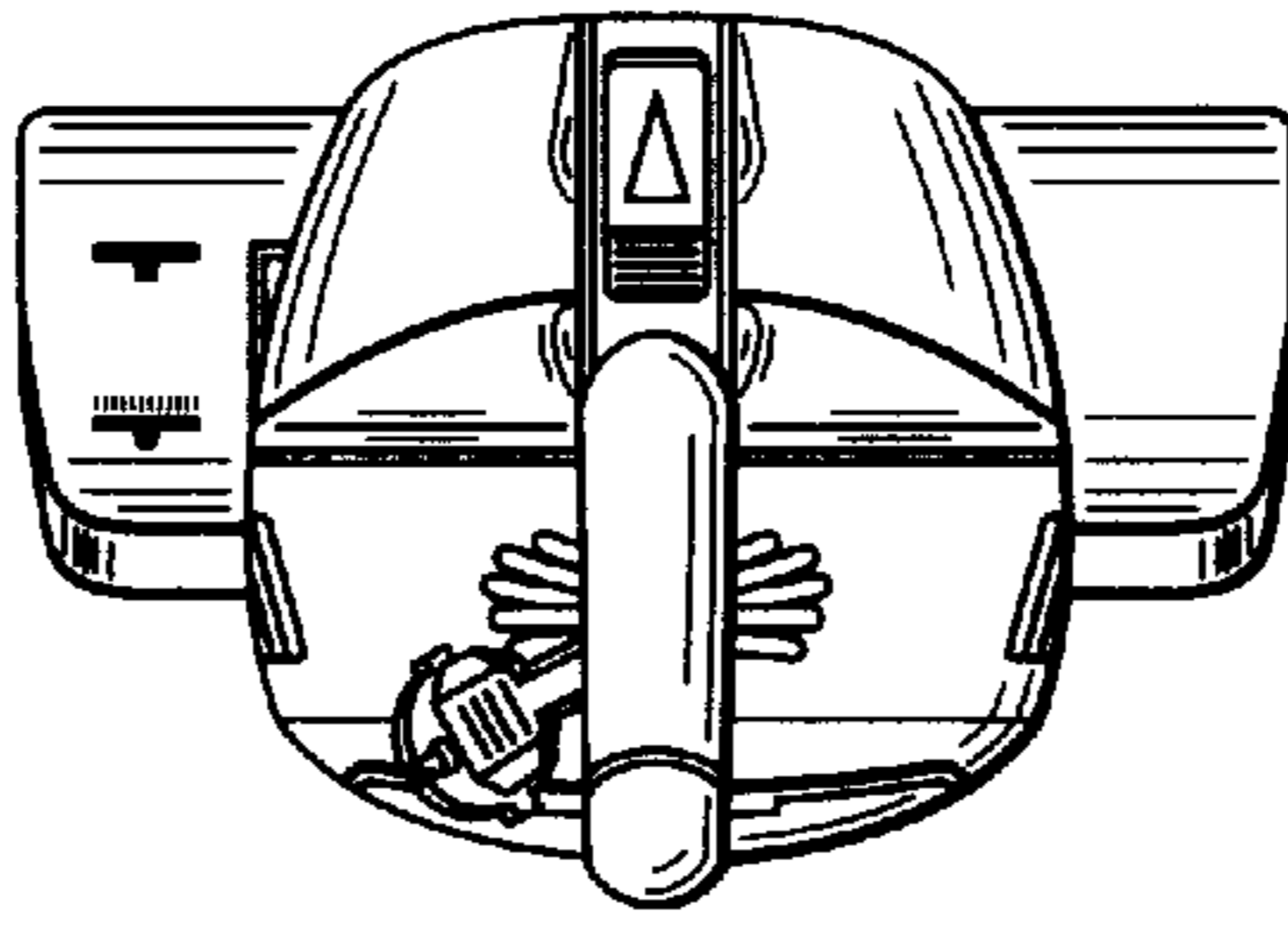


Fig. 6

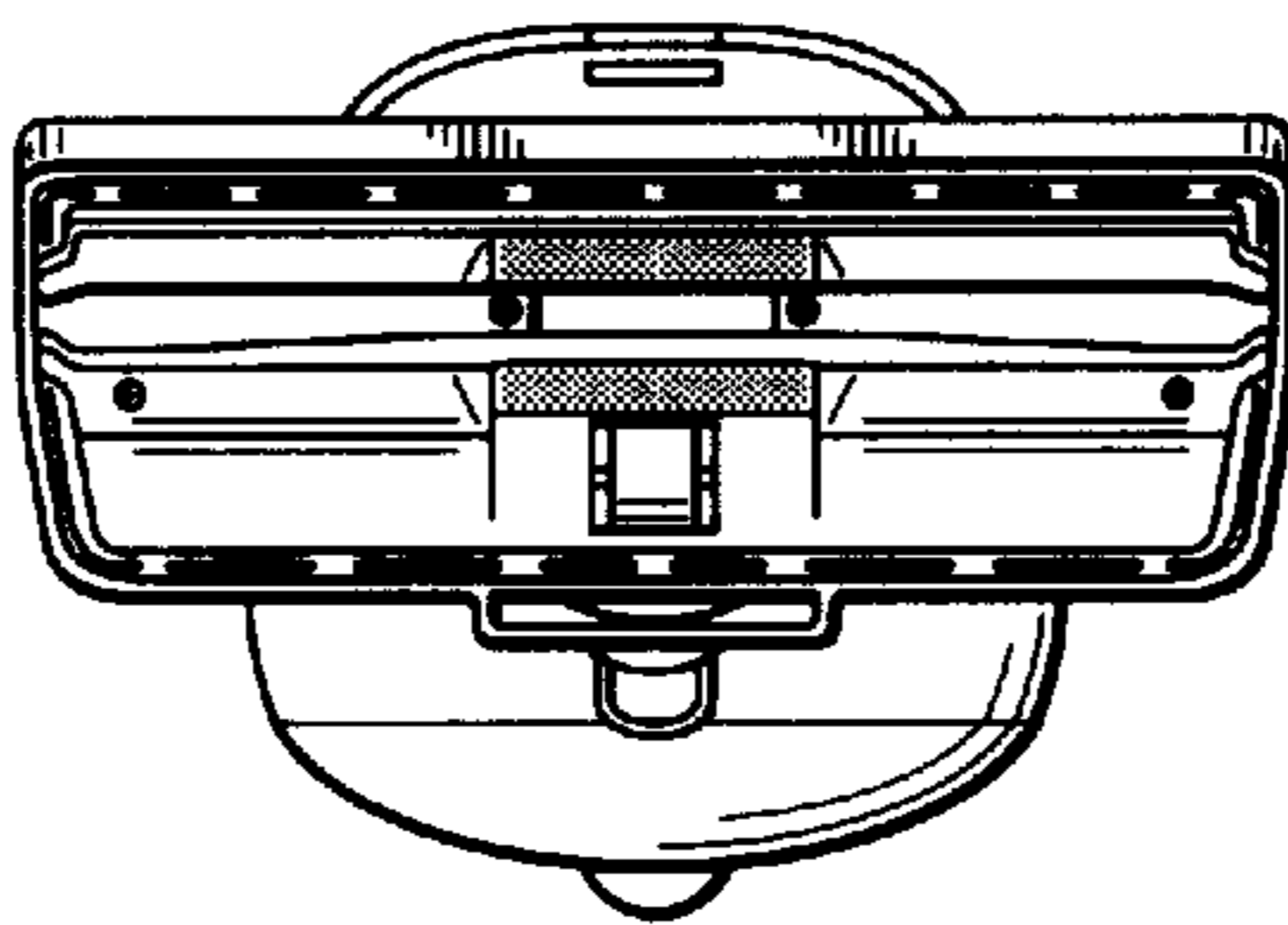


Fig. 7