



US00D399616S

# United States Patent [19]

Bobrosky et al.

[11] Patent Number: Des. 399,616

[45] Date of Patent: \*\*Oct. 13, 1998

[54] CANISTER VACUUM CLEANER

[75] Inventors: **Vincent L. Bobrosky**, Normal; **Samuel E. Hohulin**, Lexington, both of Ill.

[73] Assignee: **White Consolidated Industries, Inc.**, Cleveland, Ohio

[\*\*] Term: **14 Years**

3,466,696 9/1969 Grellsson .  
 3,614,860 10/1971 Grellsson .  
 3,636,681 1/1972 Batson et al. .  
 3,653,189 4/1972 Miyake et al. .  
 3,866,263 2/1975 Crouser et al. .  
 4,545,794 10/1985 Himukai .  
 4,554,700 11/1985 Lyman .  
 4,592,764 6/1986 Ikezaki et al. .  
 4,658,465 4/1987 Keane et al. .  
 4,945,603 8/1990 Herron, Jr. .

[21] Appl. No.: **64,793**

[22] Filed: **Jan. 10, 1997**

[51] LOC (6) Cl. .... **15-05**

[52] U.S. Cl. .... **D32/21**

[58] Field of Search ..... D32/1, 15, 21,  
 D32/23-24; 15/327.2-327.3, 327.4, 327.5,  
 327.6, 327.7

### OTHER PUBLICATIONS

Li'l Hummer brochure, 2 pages, 1993.  
 ElektraPure brochure, 3 pages, Part EP-B1, Jan., 1996.  
 Miele, The White Pearl brochure, 4 pages, ST 1598-613726,  
 8/94/22-D, Aug. 1994.

*Primary Examiner*—Ruth McInroy  
*Attorney, Agent, or Firm*—Pearne, Gordon, McCoy and  
 Granger LLP

### [56] References Cited

#### U.S. PATENT DOCUMENTS

D. 231,510 4/1974 Ramsey .  
 D. 276,944 12/1984 Parker et al. .... D32/24  
 D. 288,972 3/1987 Morioka et al. .  
 D. 312,902 12/1990 Essex et al. .  
 D. 312,903 12/1990 Essex et al. .  
 D. 355,283 2/1995 Thomas et al. .... D32/24  
 2,291,353 7/1942 Seyfried .  
 2,683,888 7/1954 Ripple .  
 2,693,001 11/1954 Vance .  
 2,839,775 6/1958 Hansen .  
 3,217,350 11/1965 Waters et al. .  
 3,257,784 6/1966 Grellsson .  
 3,279,157 10/1966 Andersson-Sason et al. .  
 3,328,942 7/1967 Waters .  
 3,344,588 10/1967 Szabo .  
 3,353,338 11/1967 Nilsson .

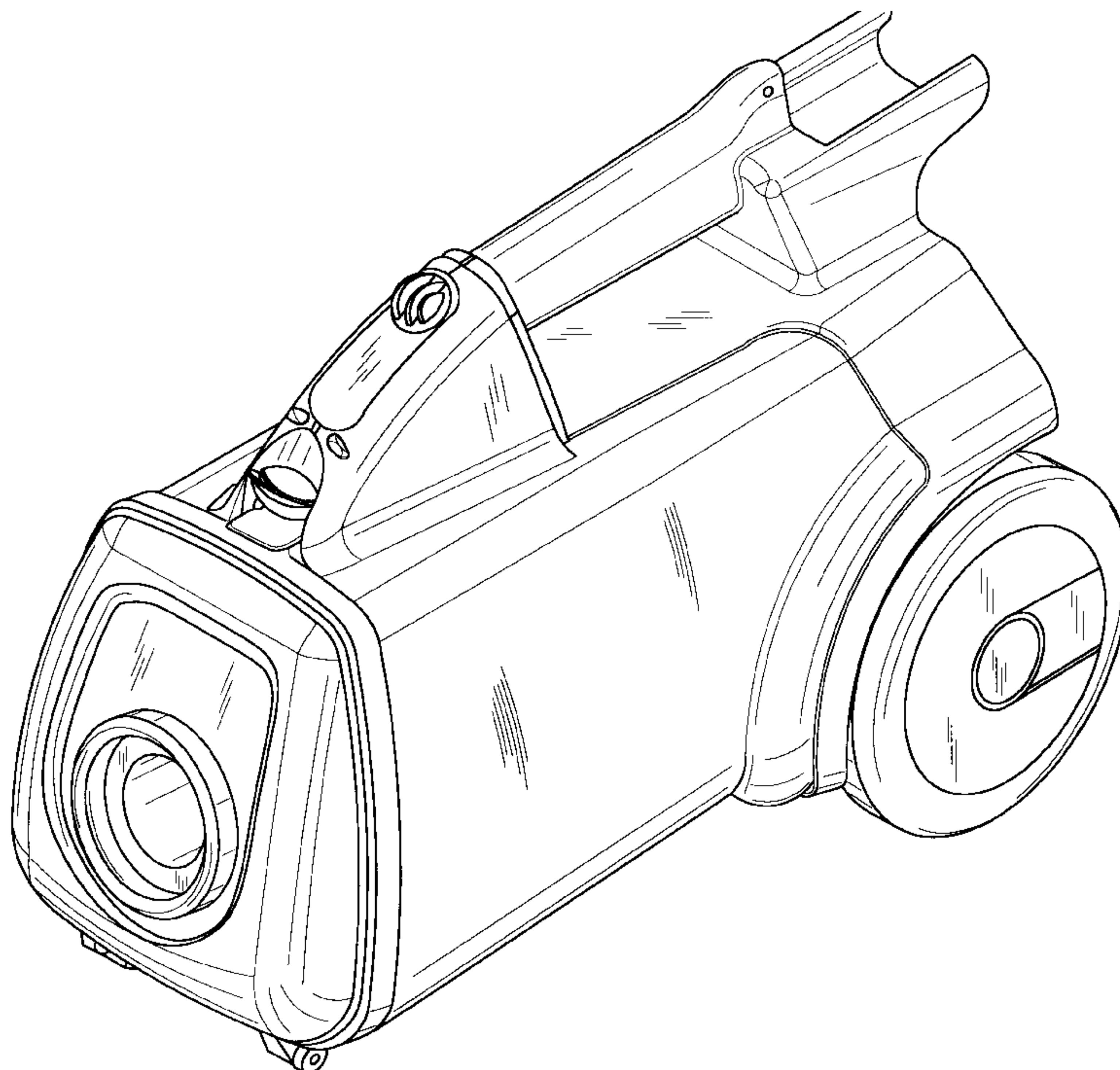
### [57] CLAIM

The ornamental design for a canister vacuum cleaner, as shown and described.

### DESCRIPTION

FIG. 1 is a perspective view of a canister vacuum cleaner, showing our new design;  
 FIG. 2 is a right side elevational view of the canister vacuum cleaner, the left side elevational view being a mirror image thereof;  
 FIG. 3 is a rear elevational view thereof;  
 FIG. 4 is a top plan view thereof;  
 FIG. 5 is a front elevational view thereof; and,  
 FIG. 6 is a bottom plan view thereof.

1 Claim, 6 Drawing Sheets



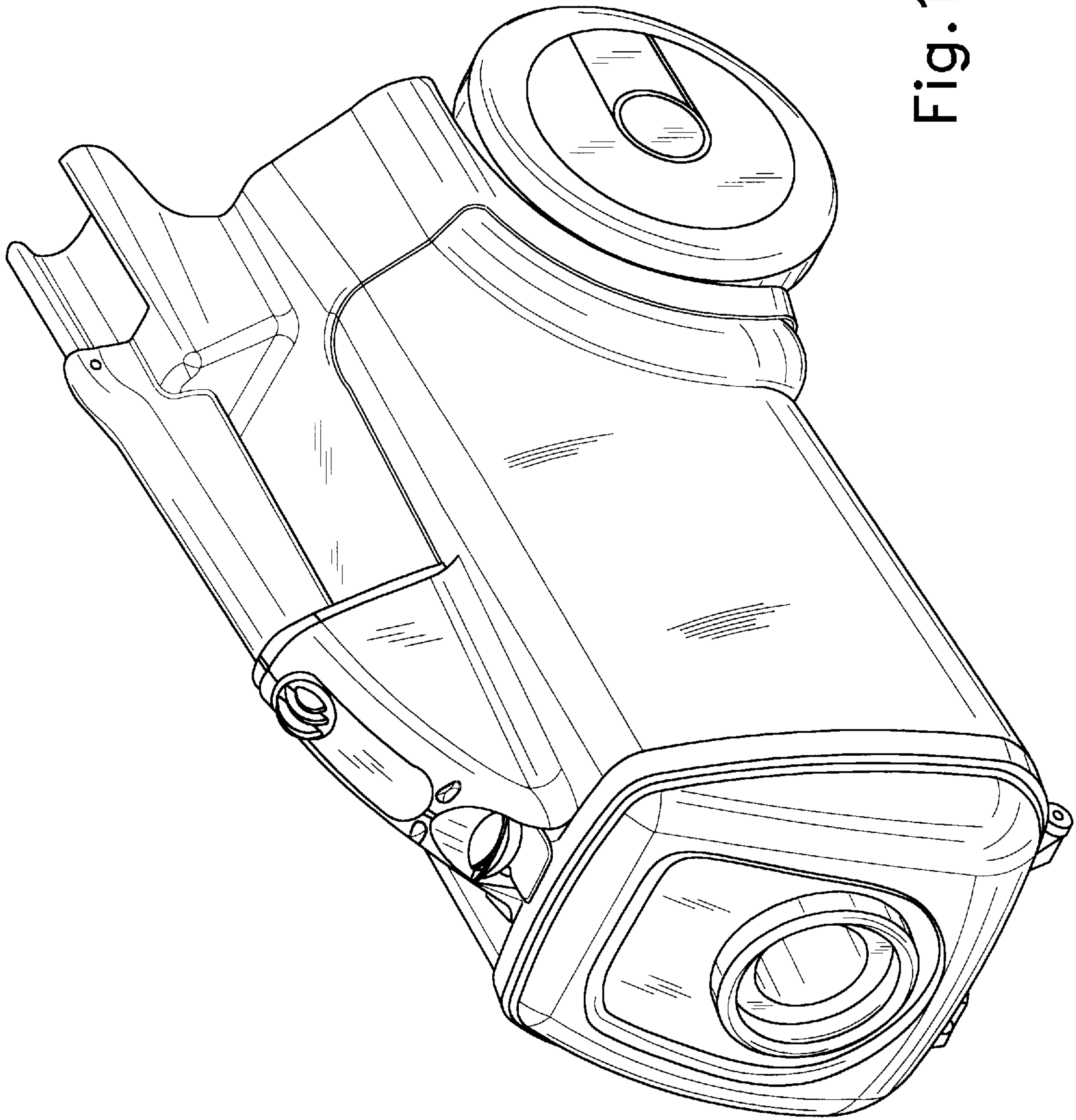


Fig. 1

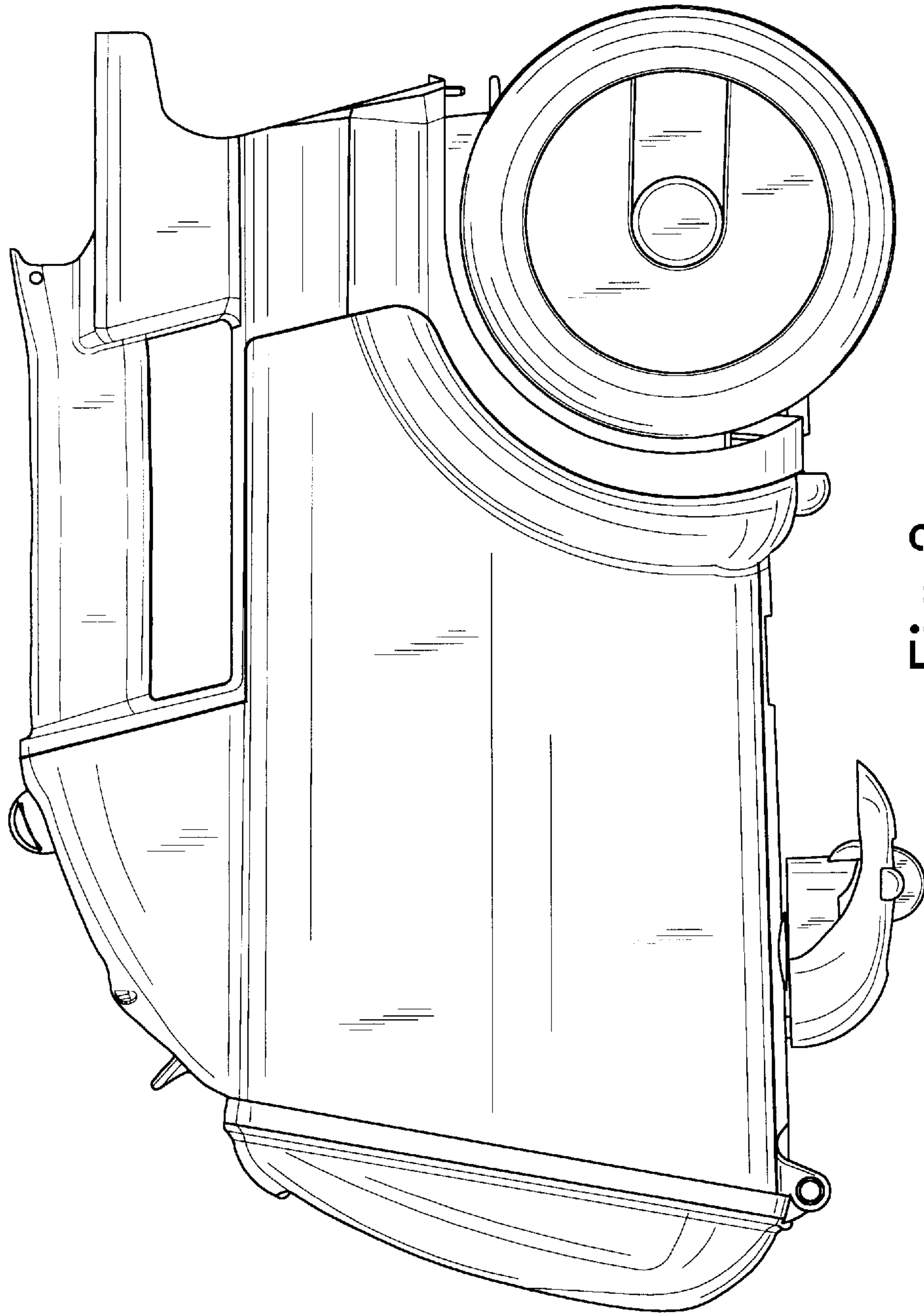
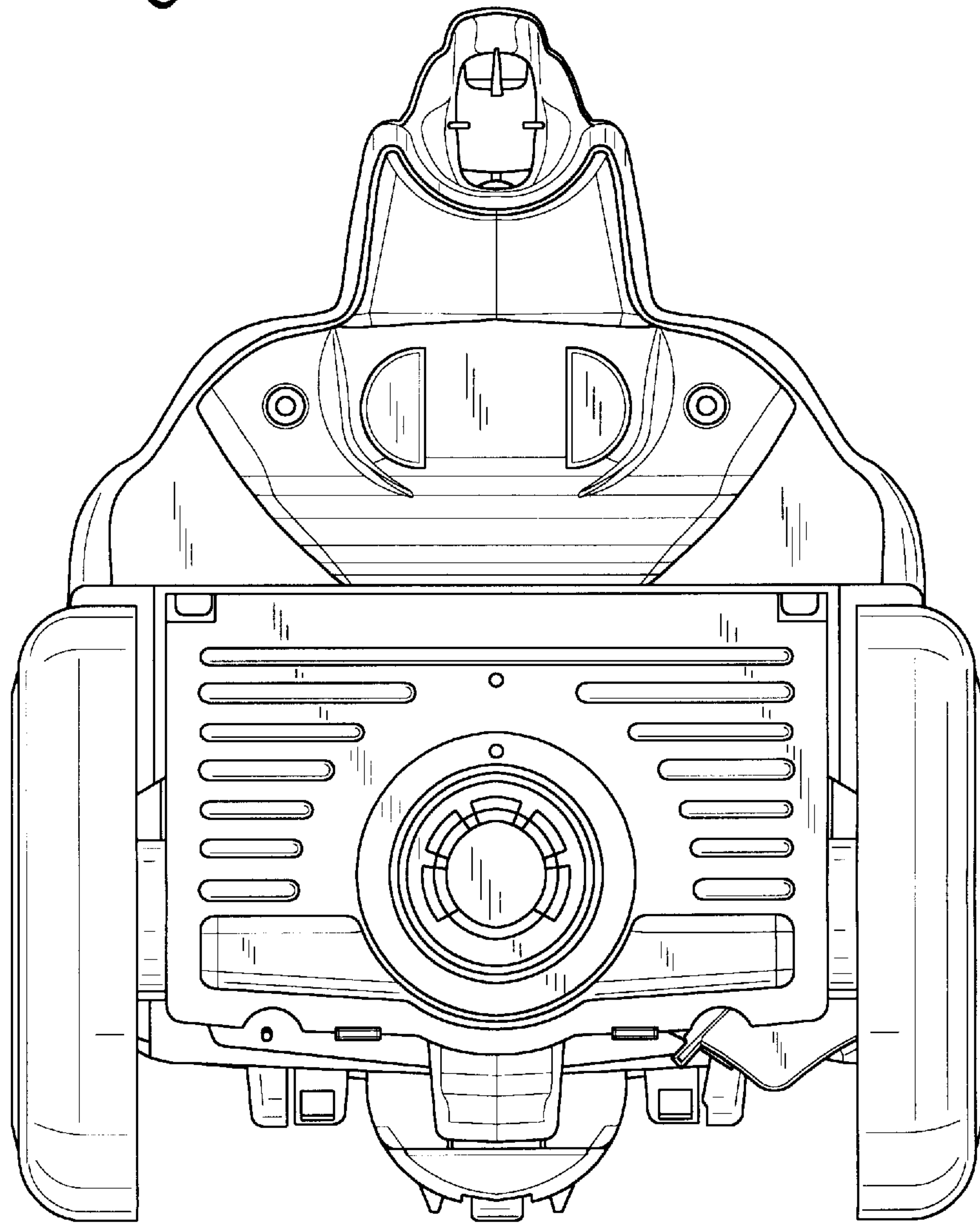


Fig. 2



Fig.3



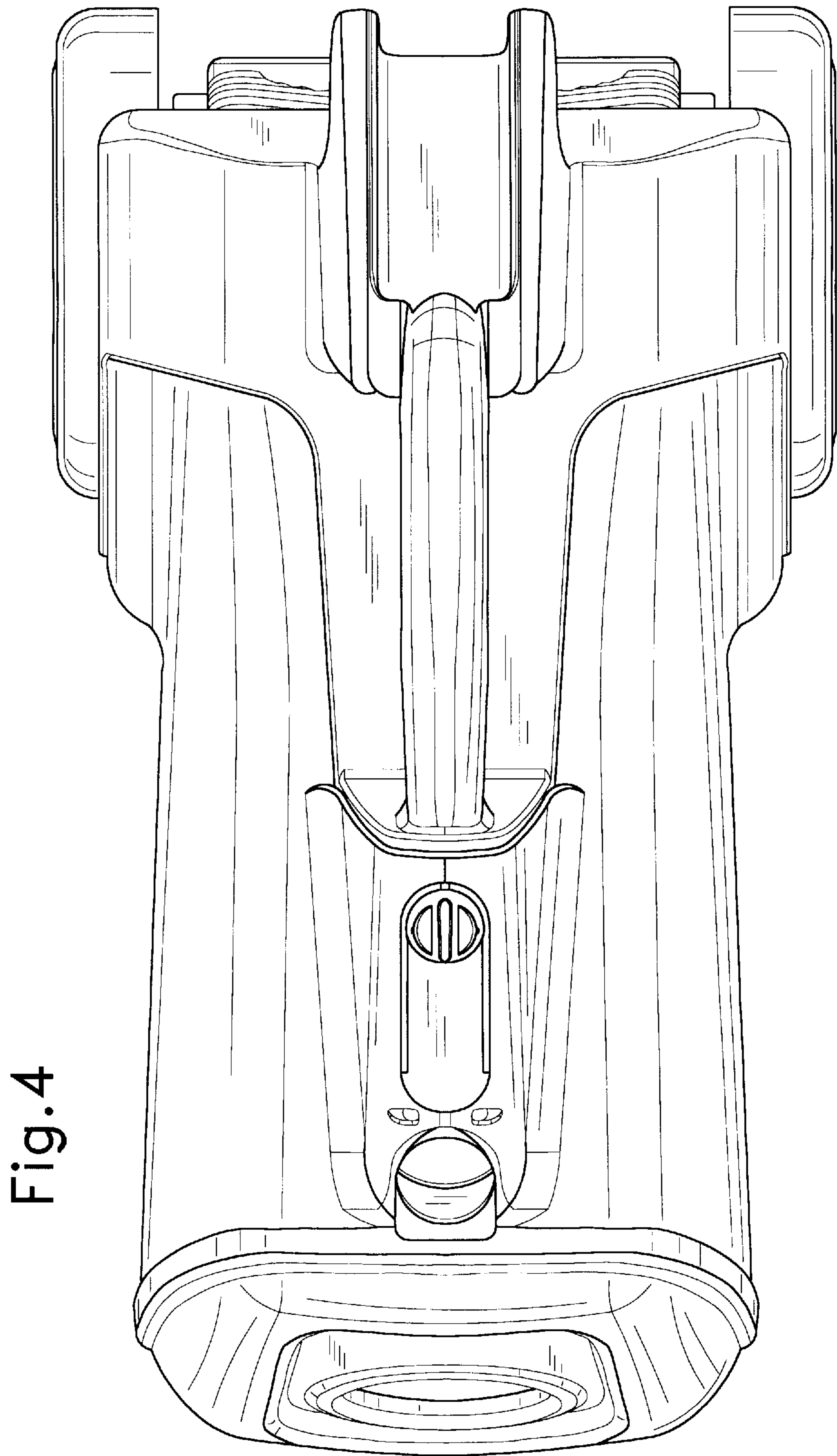
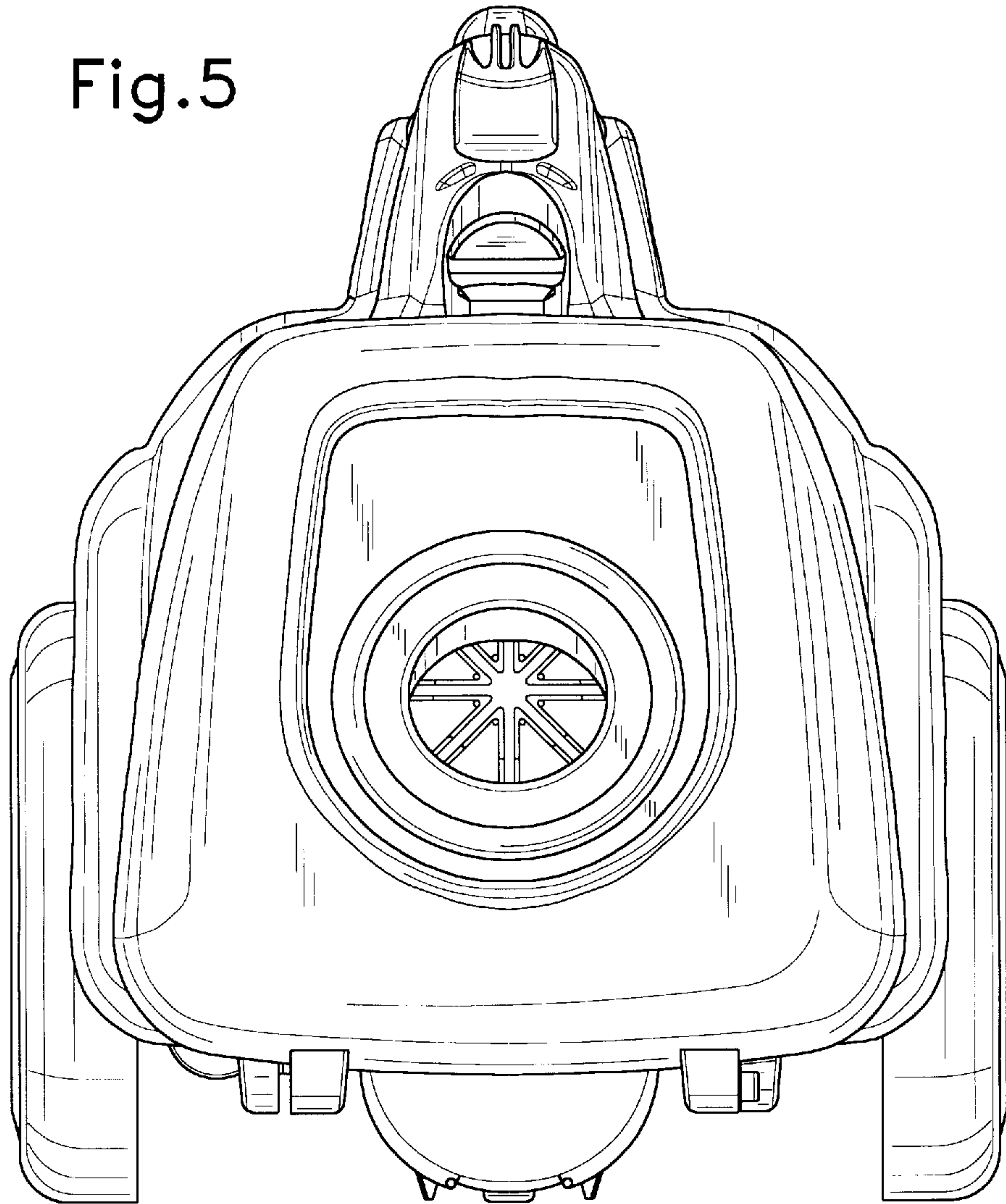


Fig.5



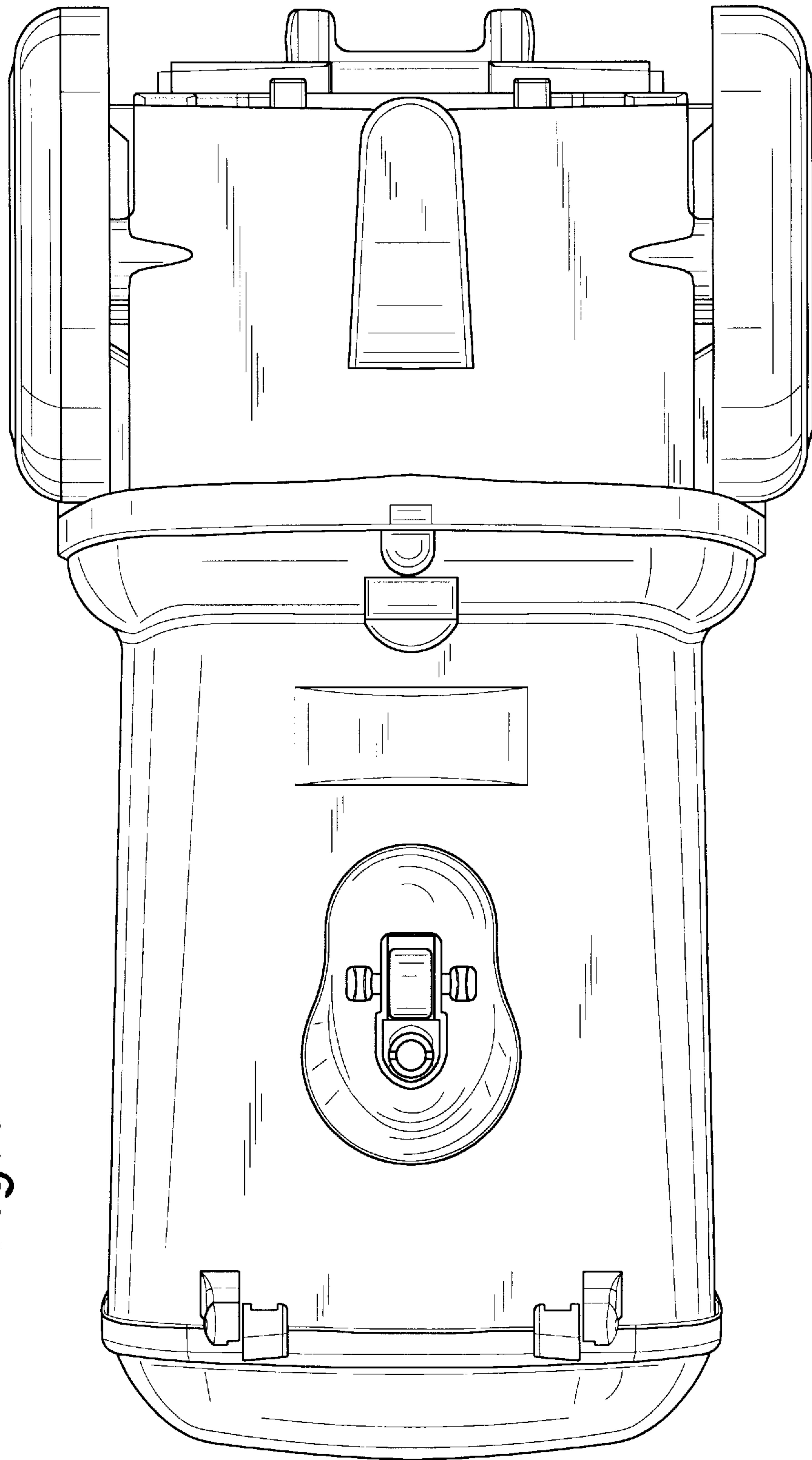


Fig. 6