



US00D399615S

United States Patent [19]

Hajjar et al.

[11] Patent Number: **Des. 399,615**

[45] Date of Patent: ****Oct. 13, 1998**

[54] STEAM CLEANER

[75] Inventors: **Ira E. Hajjar**, San Jose; **Leif R. Huff**, San Francisco, both of Calif.

[73] Assignee: **Oreck Holdings, LLC**, Cheyenne, Wyo.

[**] Term: **14 Years**

[21] Appl. No.: **64,740**

[22] Filed: **Jan. 9, 1997**

[51] LOC (6) Cl. **15-05**

[52] U.S. Cl. **D32/22**

[58] Field of Search D32/18, 22, 31-34; 15/320-322, 323, 329, 335, 344, 347, 350, 352, 353, 361, 410, 412

D. 358,241	5/1995	Bradd	D32/22
4,559,665	12/1985	Fitzwater	15/339
4,559,666	12/1985	Duncan et al.	15/353
4,559,667	12/1985	Fitzwater	15/415 R
4,566,149	1/1986	Fitzwater	15/320
4,570,856	2/1986	Groth et al.	239/310
4,575,007	3/1986	Groth et al.	239/310
4,676,287	6/1987	Fitzwater	141/285
5,311,638	5/1994	Furcron et al.	15/321
5,392,490	2/1995	Monson	15/320
5,406,673	4/1995	Bradd et al.	15/320

Primary Examiner—Ruth McInroy
Attorney, Agent, or Firm—Seed and Berry LLP

[57] CLAIM

The ornamental design for a steam cleaner, as shown.

DESCRIPTION

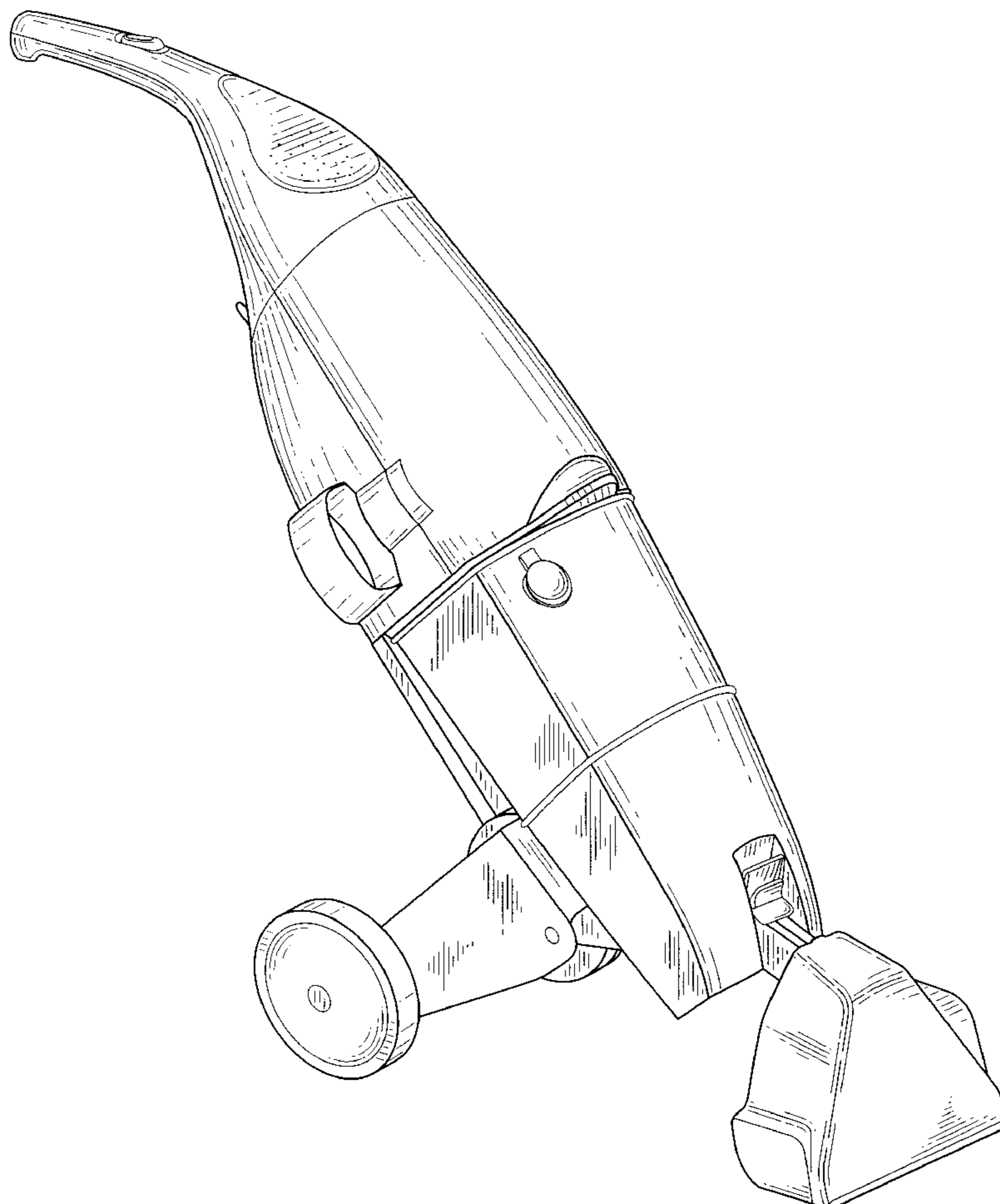
FIG. 1 is front left side, top perspective view of a steam cleaner showing our new design;
FIG. 2 is a front elevational view thereof;
FIG. 3 is back elevational view thereof;
FIG. 4 is a top plan view thereof;
FIG. 5 is a bottom plan view thereof;
FIG. 6 is a left side elevational view thereof; and,
FIG. 7 is a right side elevational view thereof.

1 Claim, 7 Drawing Sheets

[56] References Cited

U.S. PATENT DOCUMENTS

D. 287,894	1/1987	Watkins et al.	D32/22
D. 288,016	1/1987	Watkins et al.	D32/22
D. 293,729	1/1988	Soeffker et al.	D32/22
D. 345,830	4/1994	Furcron et al.	D32/22
D. 346,247	4/1994	Furcron et al.	D32/22
D. 346,467	4/1994	Furcron et al.	D32/22
D. 354,593	1/1995	Koike	D32/22



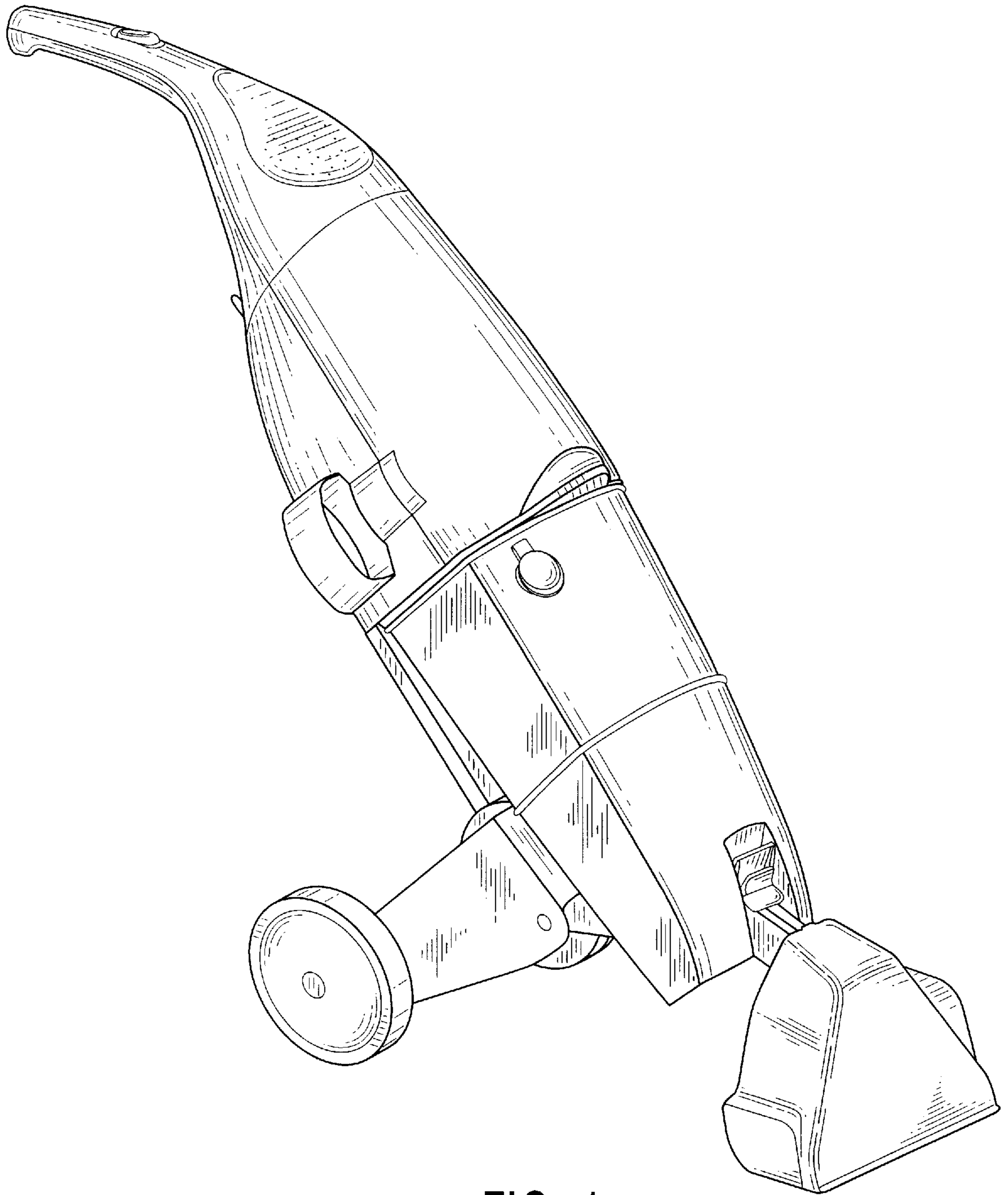


FIG. 1

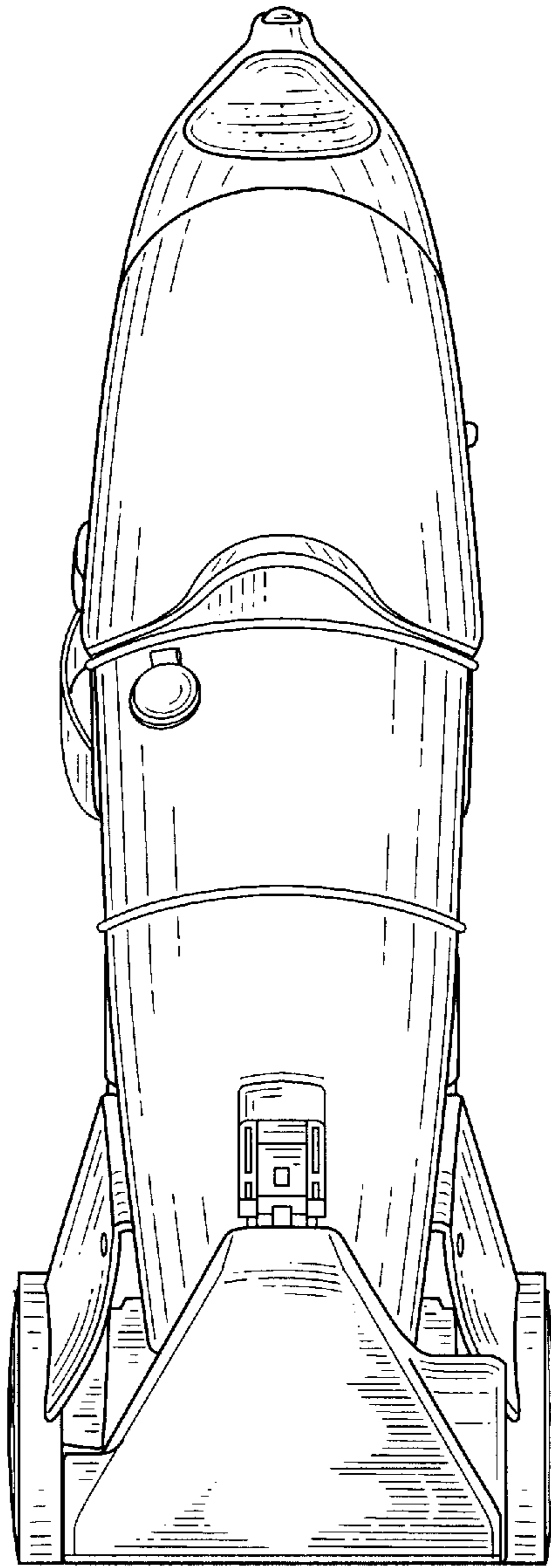


FIG. 2

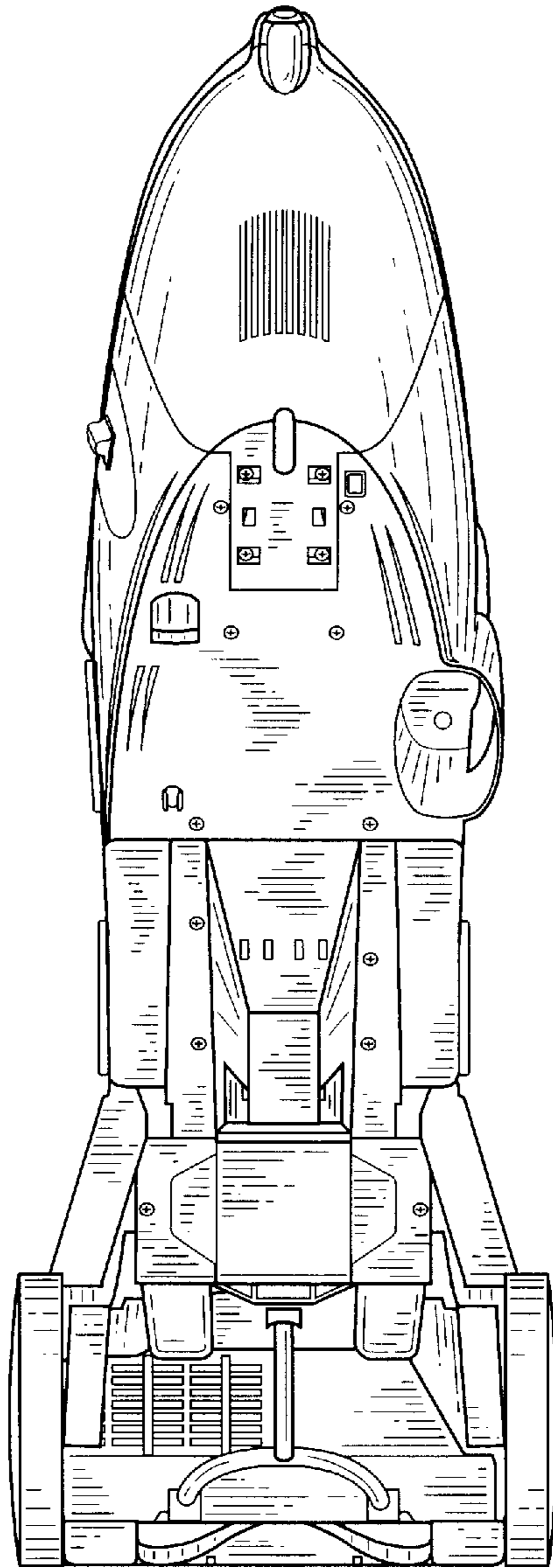


FIG. 3

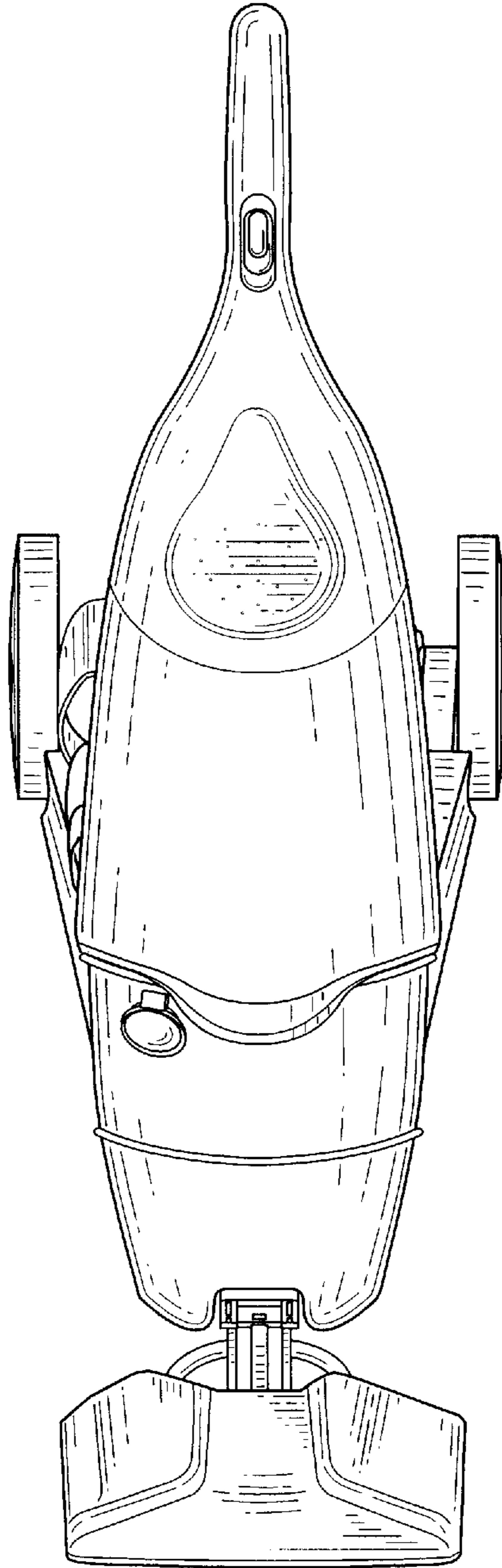


FIG. 4

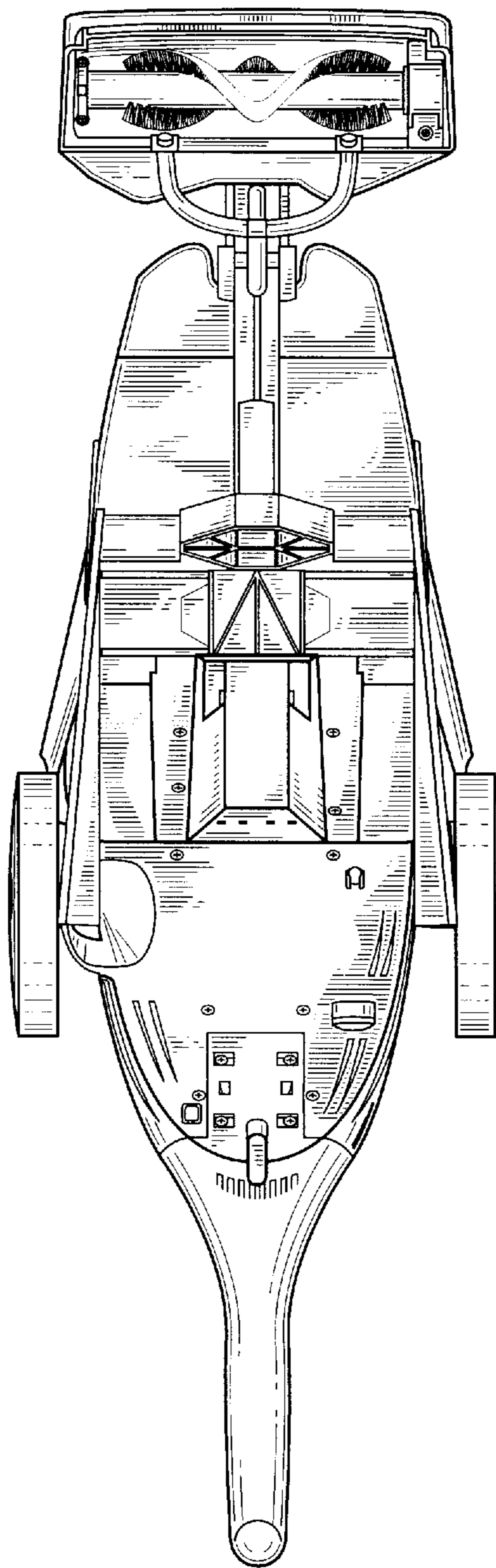


FIG. 5

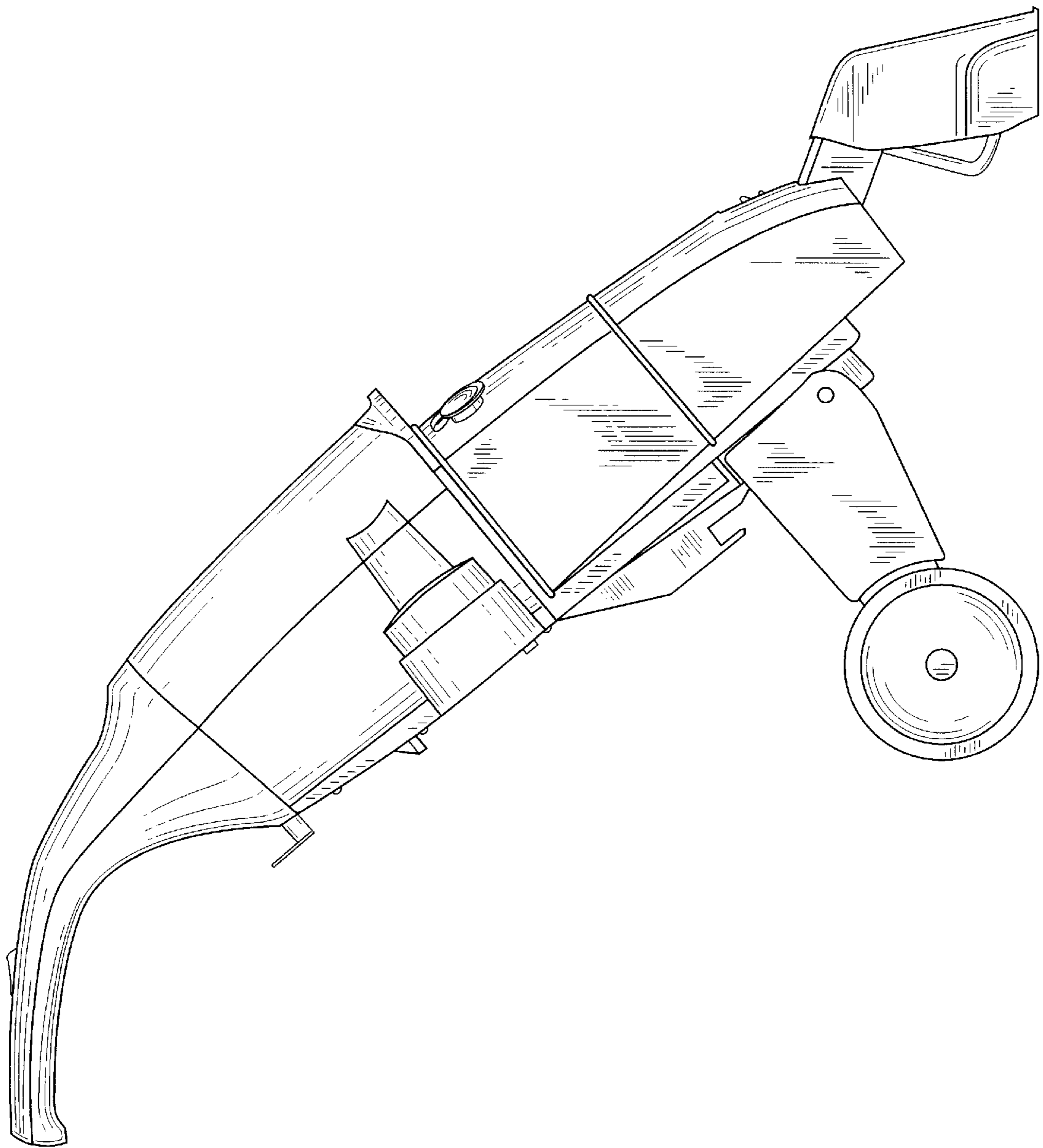


FIG. 6

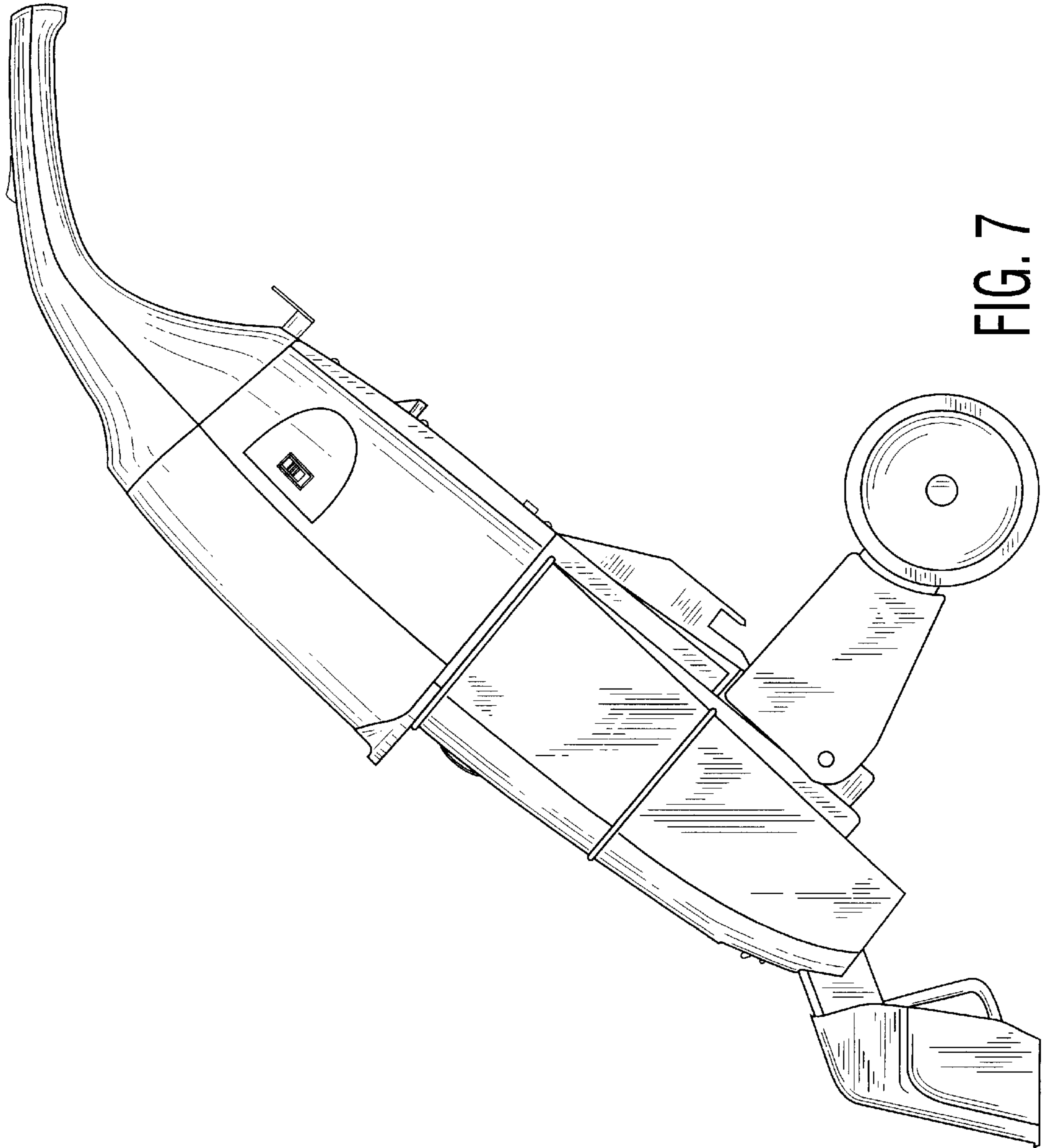


FIG. 7