



US00D399613S

United States Patent [19]
O'Rourke et al.

[11] **Patent Number: Des. 399,613**
[45] **Date of Patent: **Oct. 13, 1998**

[54] **CAT LITTER BOX**

[75] Inventors: **Anthony O'Rourke**, Malibu; **Kevin Kolozsvari**, Mission Viejo; **Paul A. Berman**; **Keith M. Kaucher**, both of Santa Monica, all of Calif.

[73] Assignee: **Ecko Group, Inc.**, Denver, Colo.

[**] Term: **14 Years**

[21] Appl. No.: **62,122**

[22] Filed: **Nov. 7, 1996**

4,771,731	9/1988	Derx et al. .	
4,792,082	12/1988	Williamson .	
4,846,104	7/1989	Pierson, Jr. .	
4,884,527	12/1989	Skirvin .	
4,986,217	1/1991	Robinson et al. .	
5,044,325	9/1991	Miksitz .	
5,134,973	8/1992	Sarullo .	
5,134,974	8/1992	Houser .	
5,178,099	1/1993	Lapps et al. .	
5,184,575	2/1993	Reinartz .	
5,249,549	10/1993	Rockaitis, III .	
5,495,825	3/1996	Eckelman	119/57.8
5,572,950	11/1996	O'Rourke et al. .	

Related U.S. Application Data

[63] Continuation-in-part of Ser. No. 403,231, Mar. 9, 1995, Pat. No. 5,572,950.

[51] **LOC (6) Cl.** **30-99**

[52] **U.S. Cl.** **D30/161**

[58] **Field of Search** D30/161; 119/161-170, 119/57.8

References Cited

U.S. PATENT DOCUMENTS

- D. 286,694 11/1986 O'Rourke .
- D. 298,371 11/1988 Reynolds .
- D. 298,672 11/1988 Herbst .
- D. 300,966 5/1989 Conner .
- D. 300,967 5/1989 Conner .
- D. 300,968 5/1989 Conner .
- D. 308,589 6/1990 Shay .
- D. 310,587 9/1990 Hinson .
- D. 370,094 5/1996 Kohus D30/161
- D. 370,316 5/1996 Merino D30/161
- D. 387,507 12/1997 Willinger et al. D30/161
- 399,753 3/1889 Jones et al. .
- 2,661,114 12/1953 Barnett et al. .
- 2,736,452 2/1956 Roop .
- 3,827,401 8/1974 Franzl .
- 4,732,111 3/1988 Runion .

FOREIGN PATENT DOCUMENTS

2056832 6/1993 Canada .

Primary Examiner—Cathy Anne MacCormac
Attorney, Agent, or Firm—Crowell & Moring LLP

CLAIM

The ornamental design for a cat litter box, as shown and described.

DESCRIPTION

FIG. 1 is a perspective view of a cat litter box showing our new design with the hood in the extended position; FIG. 2 is a top plan view thereof; FIG. 3 is a reduced left side view thereof; FIG. 4 is a front elevational view thereof; FIG. 5 is a rear elevational view thereof; FIG. 6 is a bottom plan view thereof; FIG. 7 is a perspective view thereof with the hood in the retracted position; FIG. 8 is a reduced left side view of FIG. 7; FIG. 9 is a top plan view of FIG. 7; FIG. 10 is a front elevational view of FIG. 7; FIG. 11 is a rear elevational view of FIG. 7; FIG. 12 is a bottom plan view of FIG. 7; and, FIG. 13 is an exploded perspective view of FIG. 7.

1 Claim, 7 Drawing Sheets

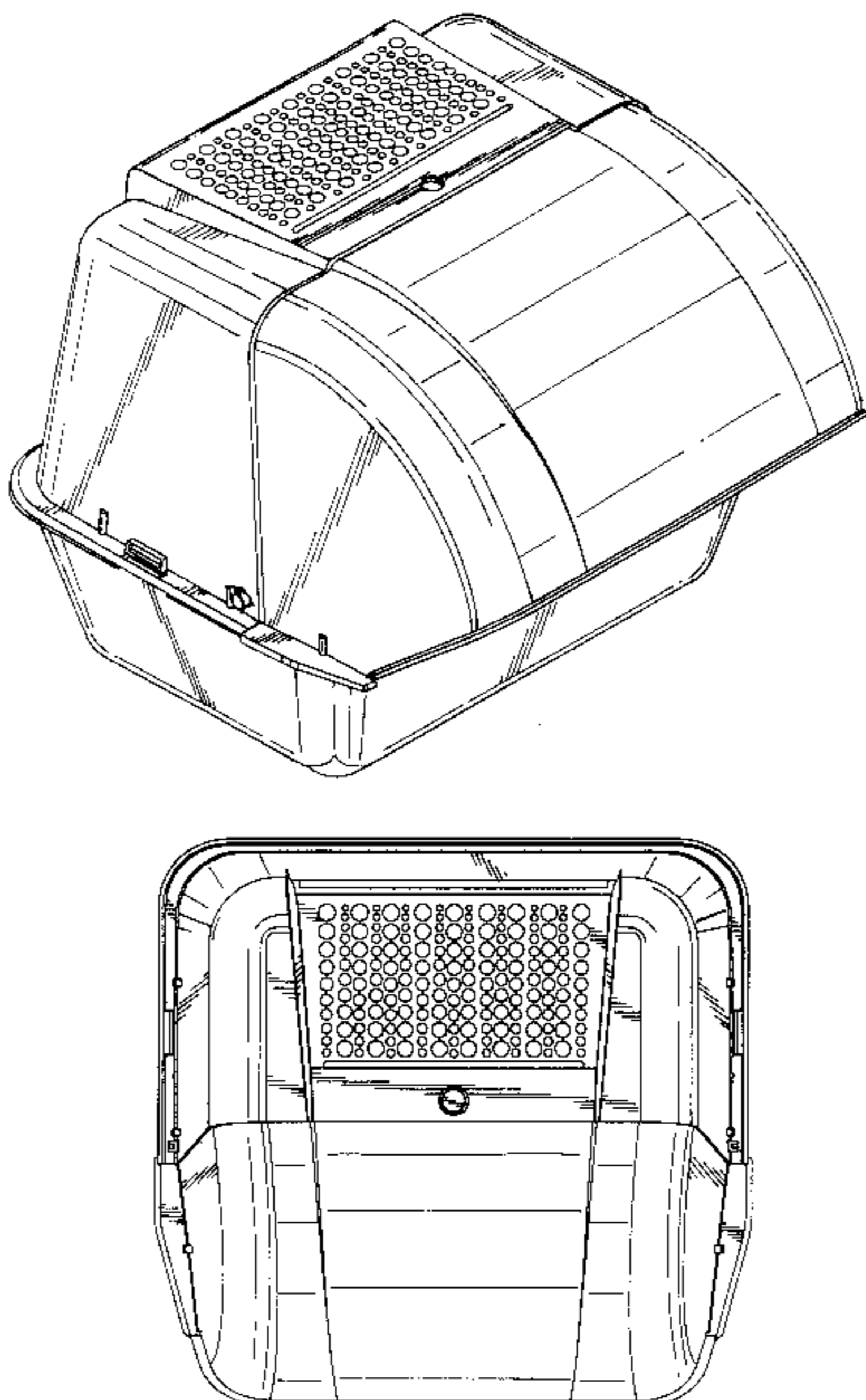


FIG. 1

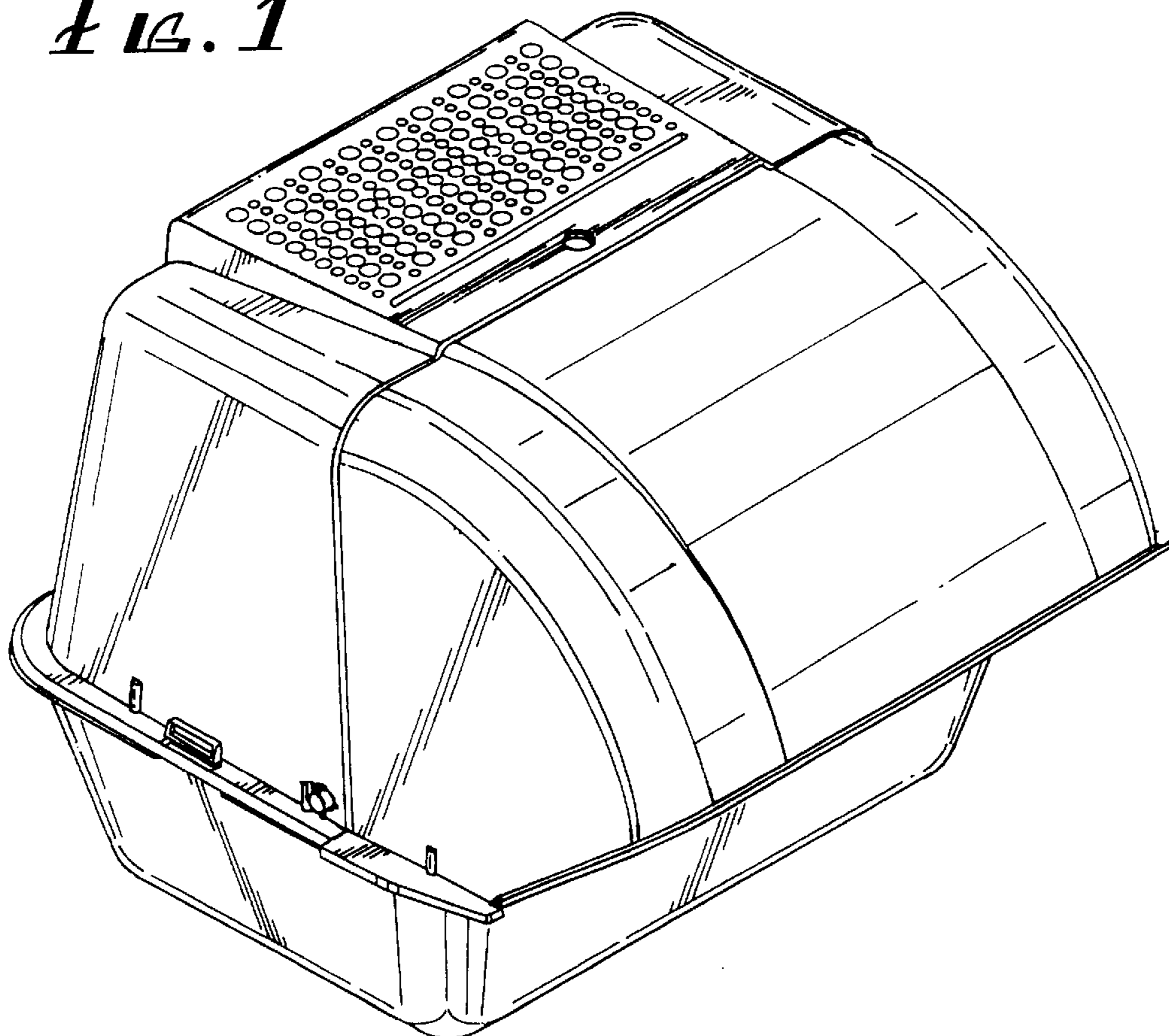


FIG. 2

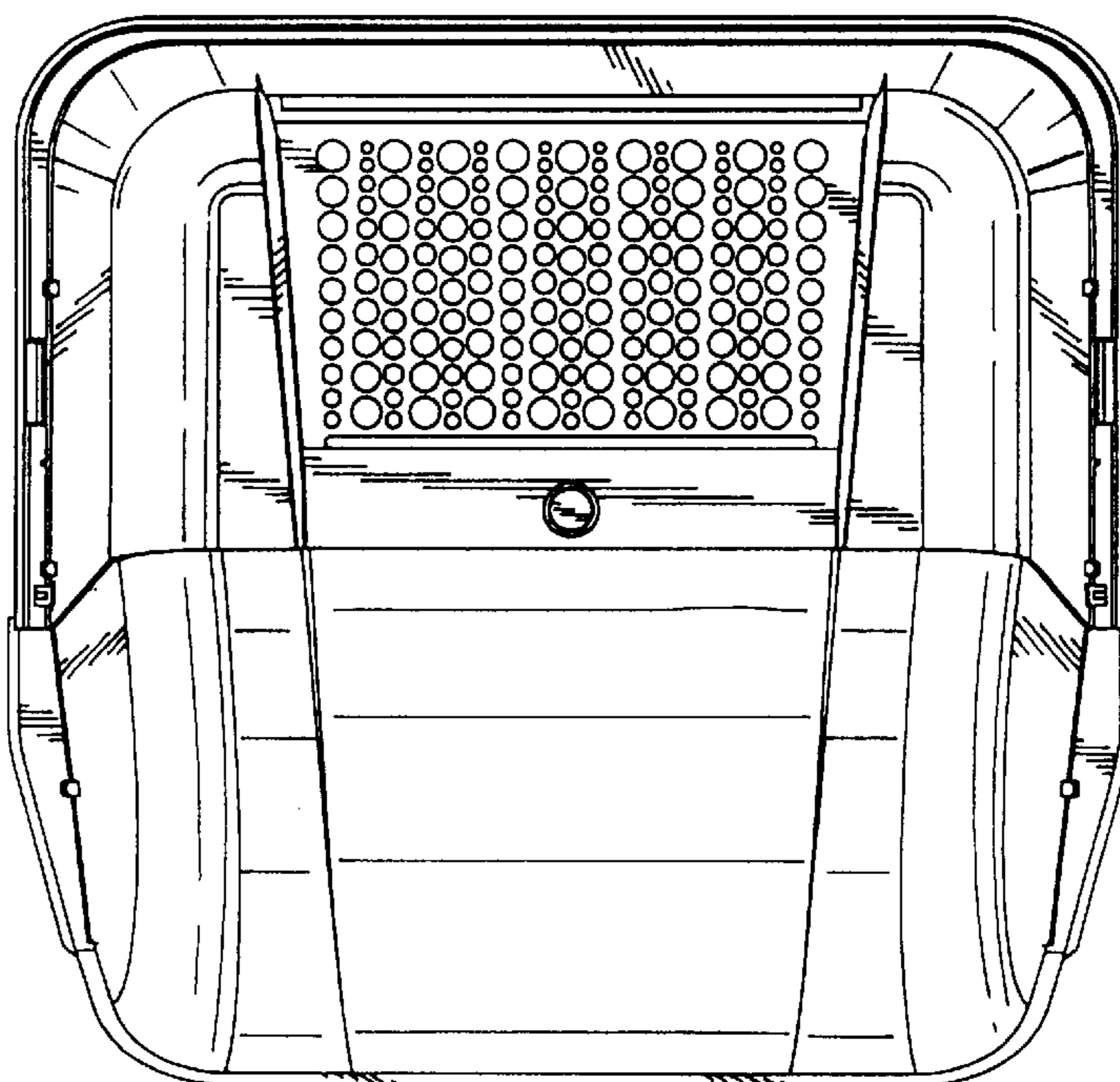


FIG. 3

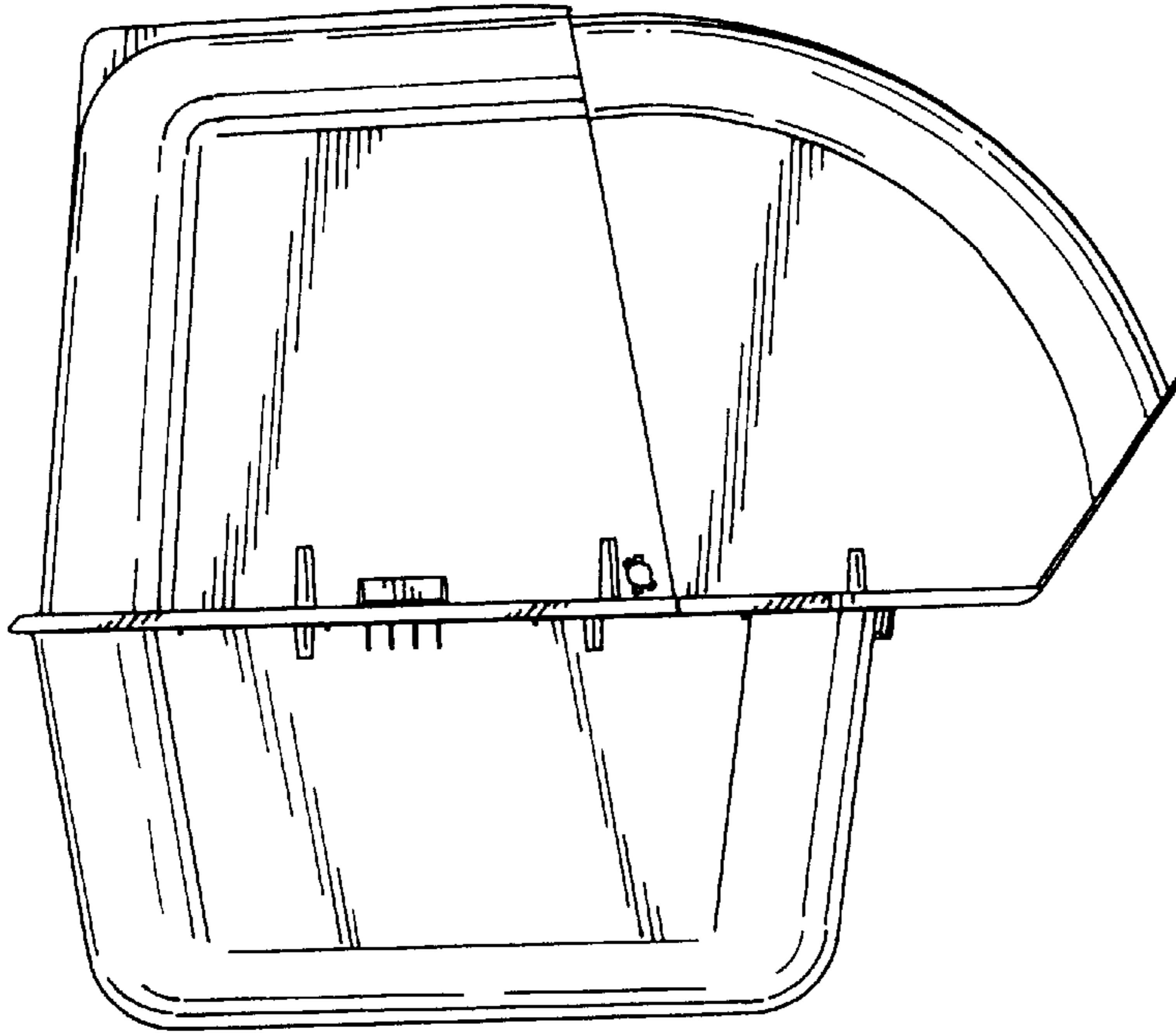


FIG. 4

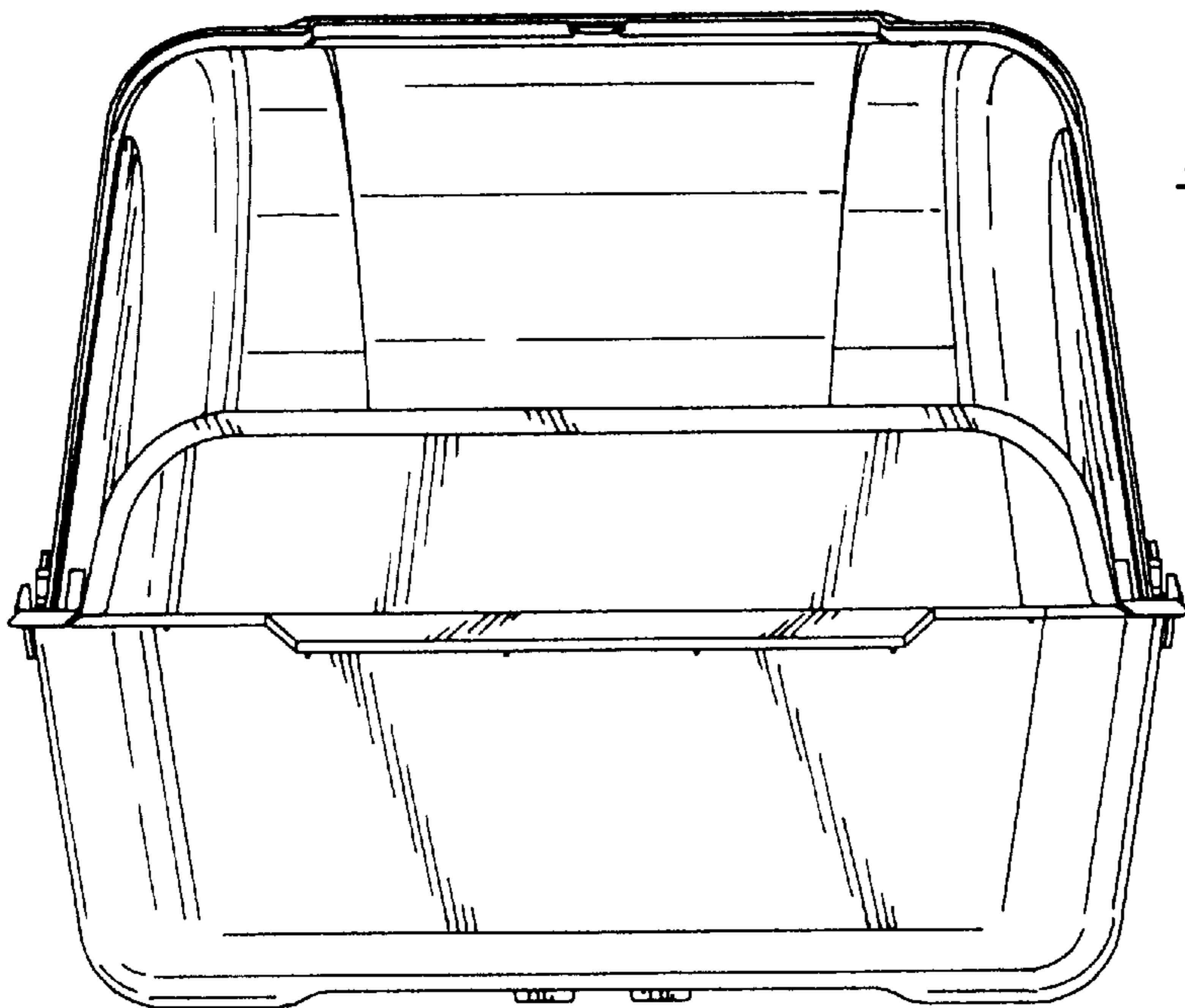


FIG. 5

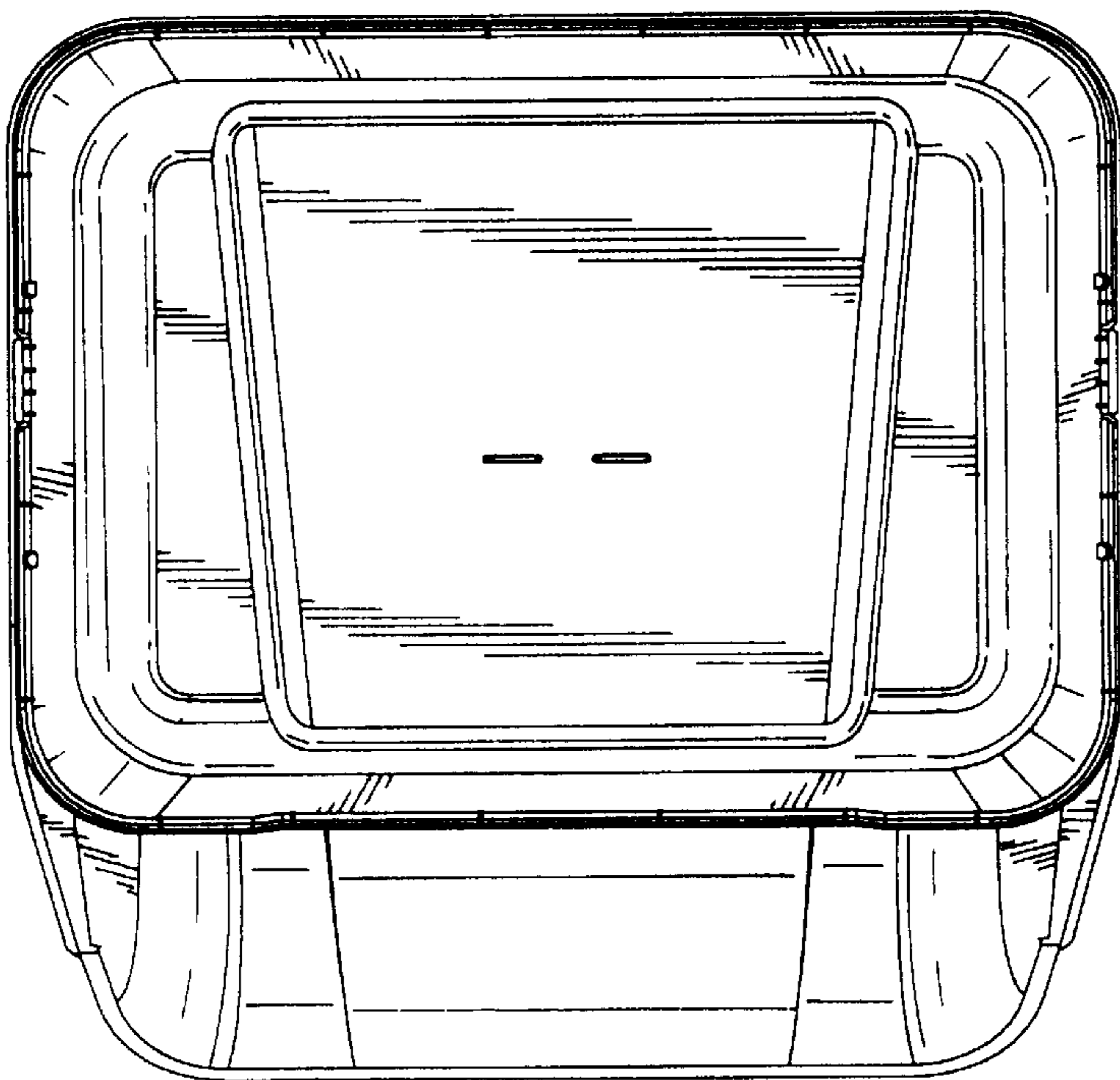
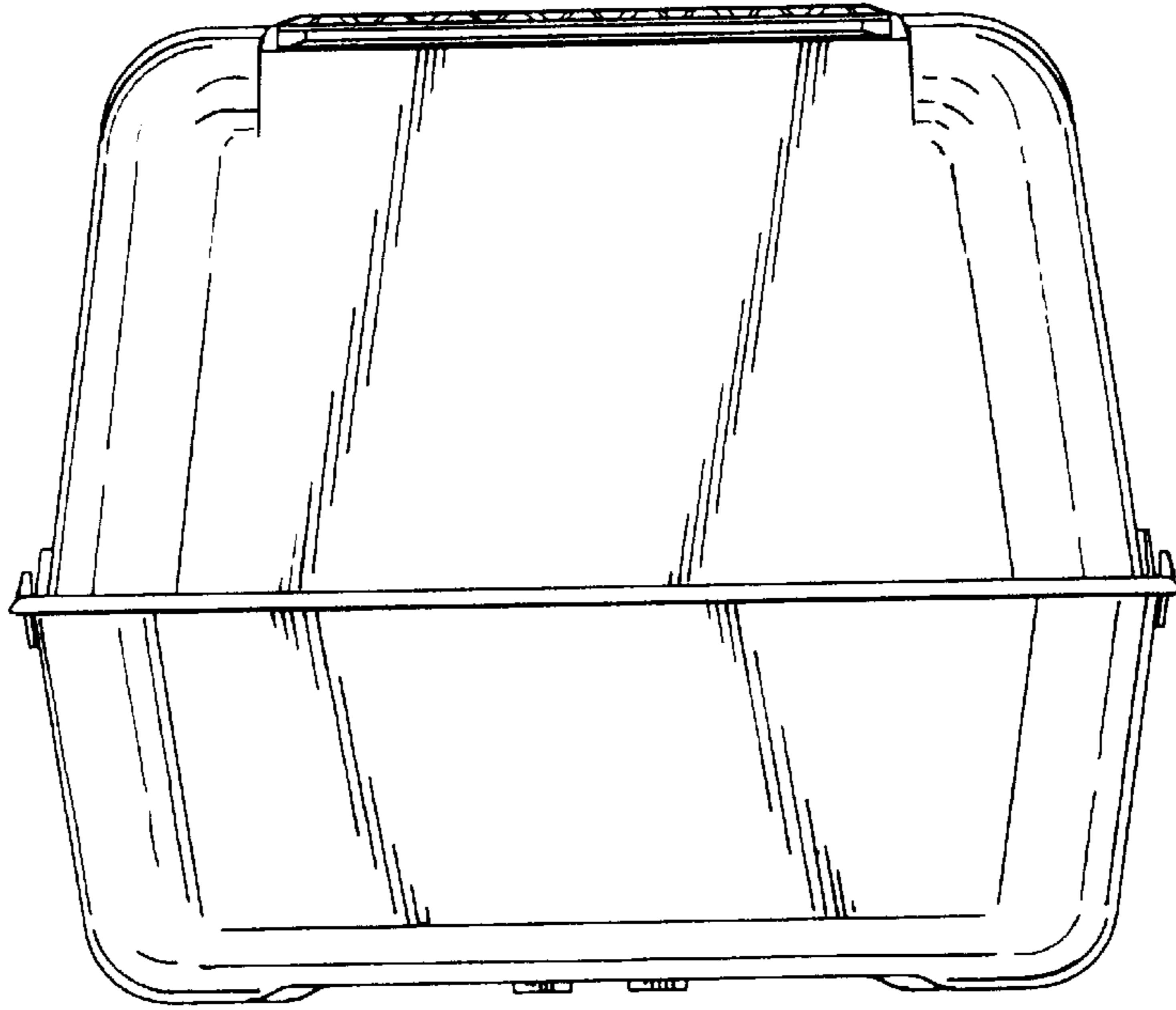


FIG. 6

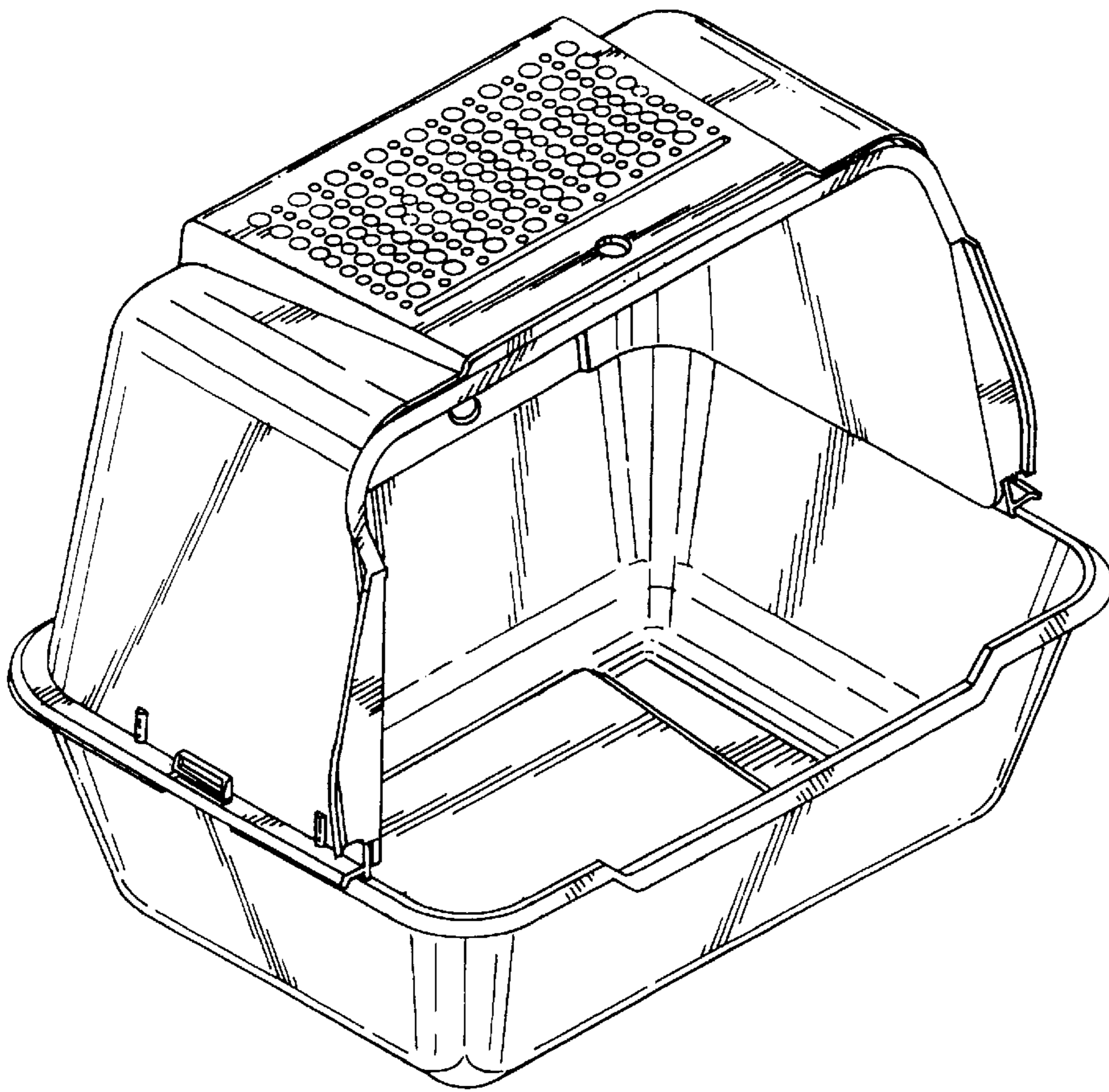


FIG. 7

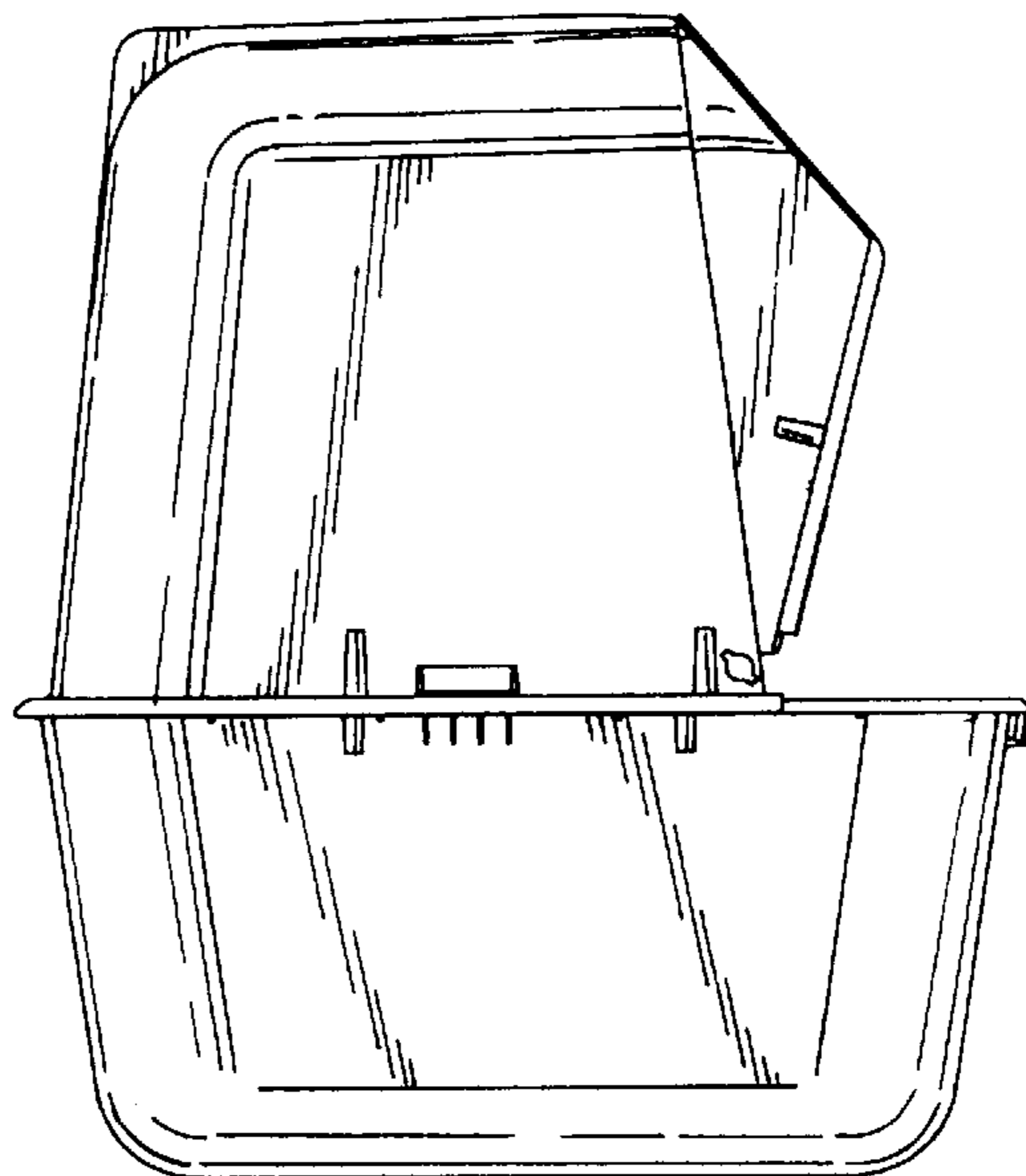


FIG. 8

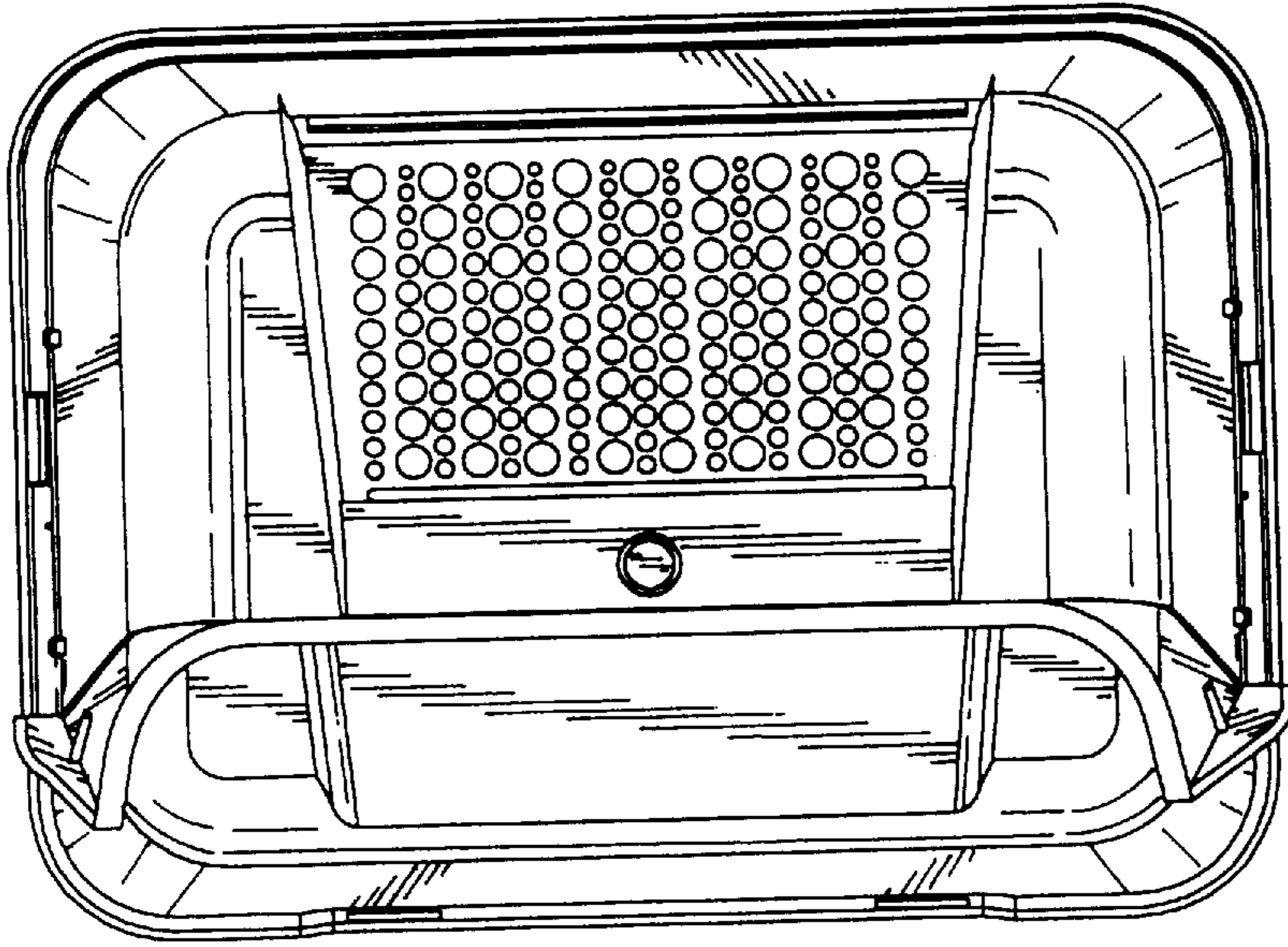


FIG. 9

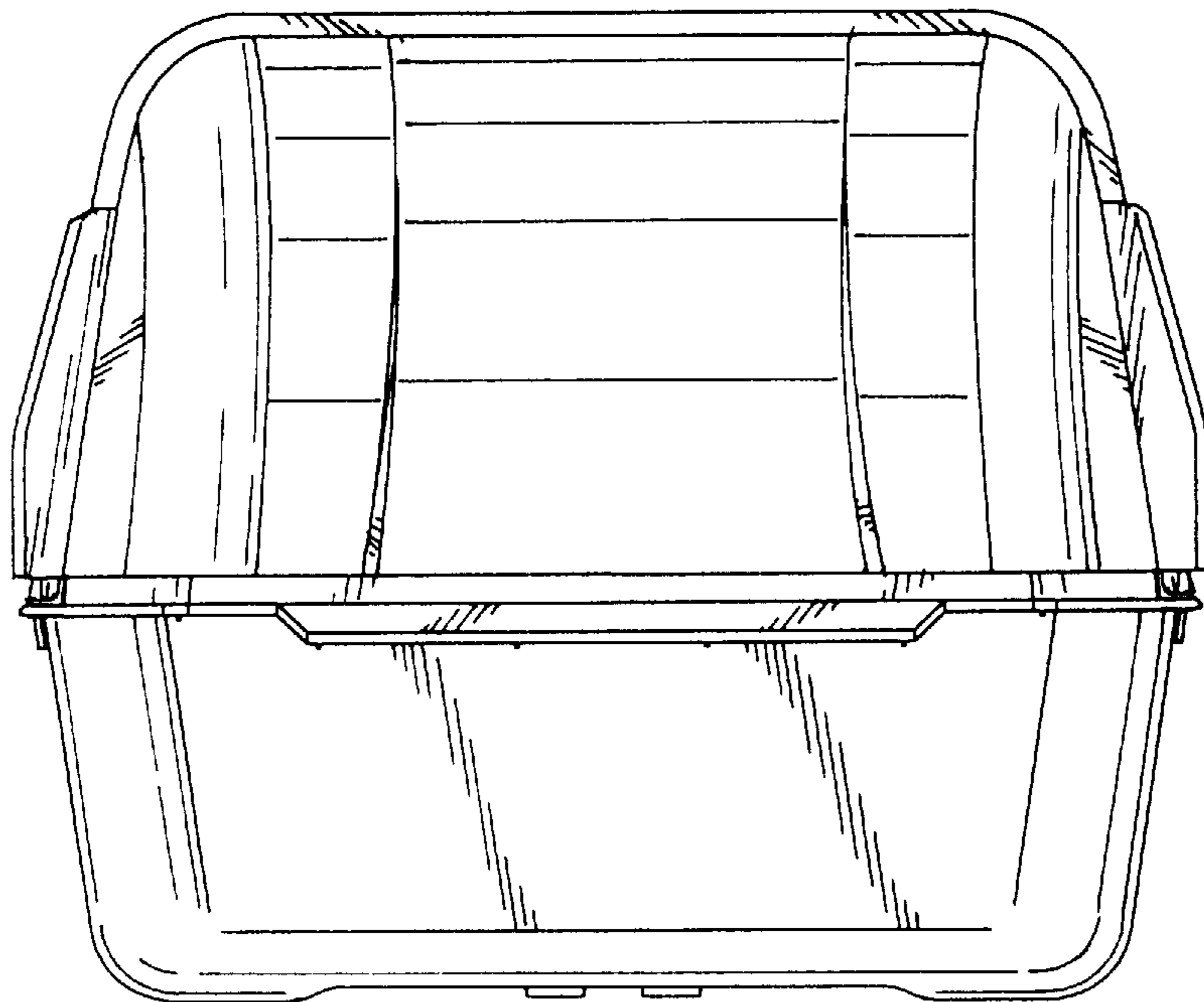


FIG. 10

FIG. 11

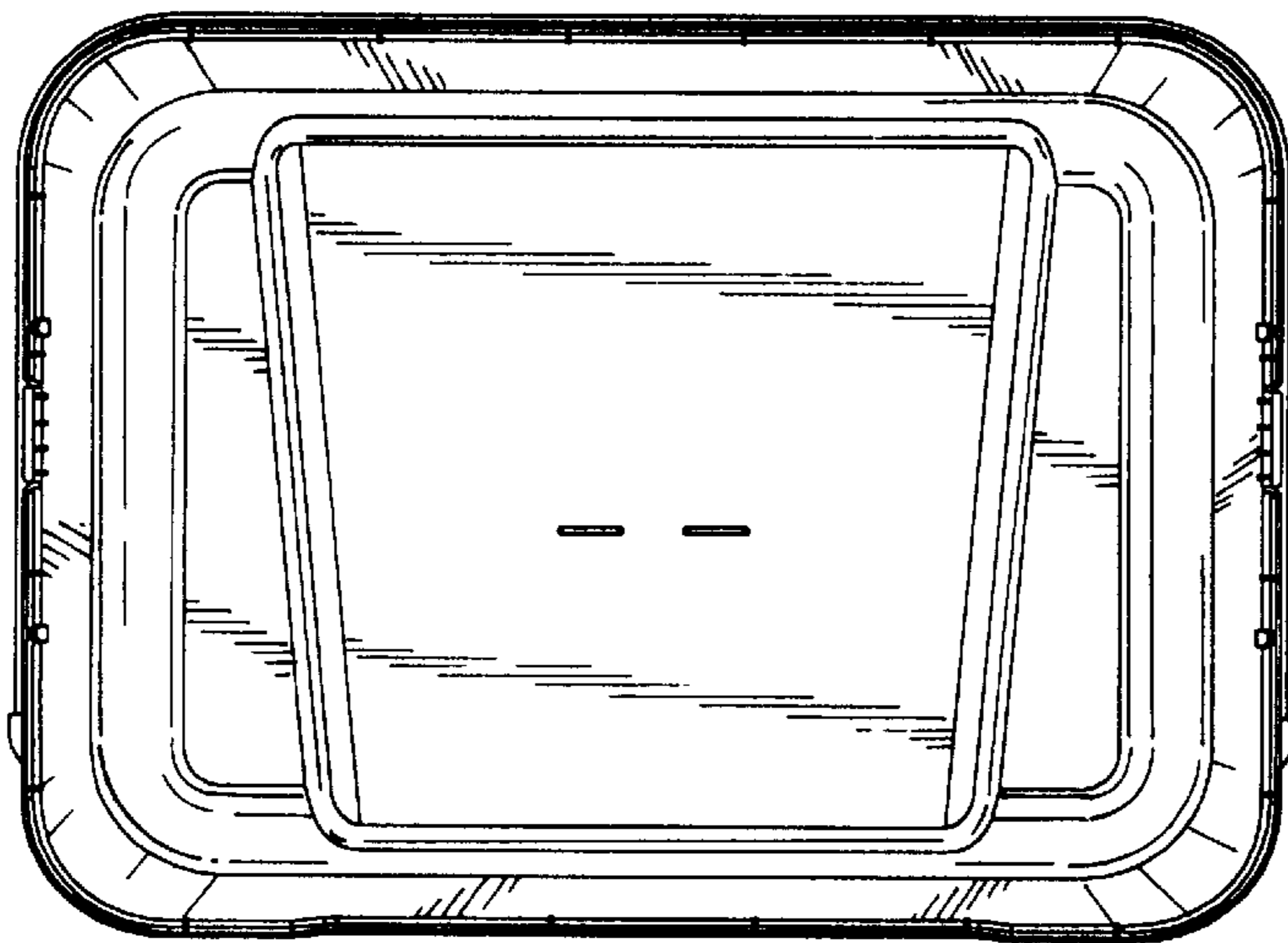
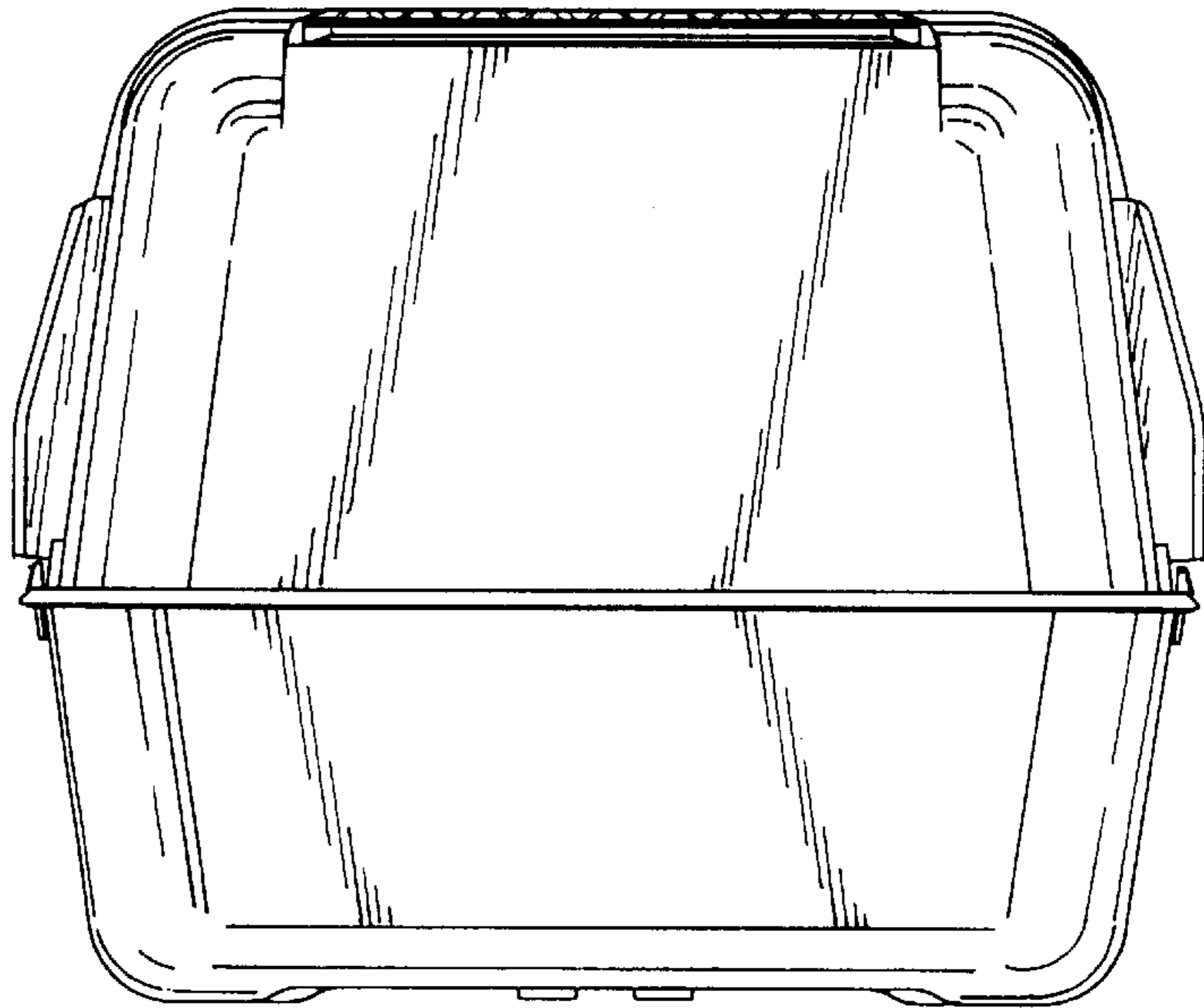


FIG. 12

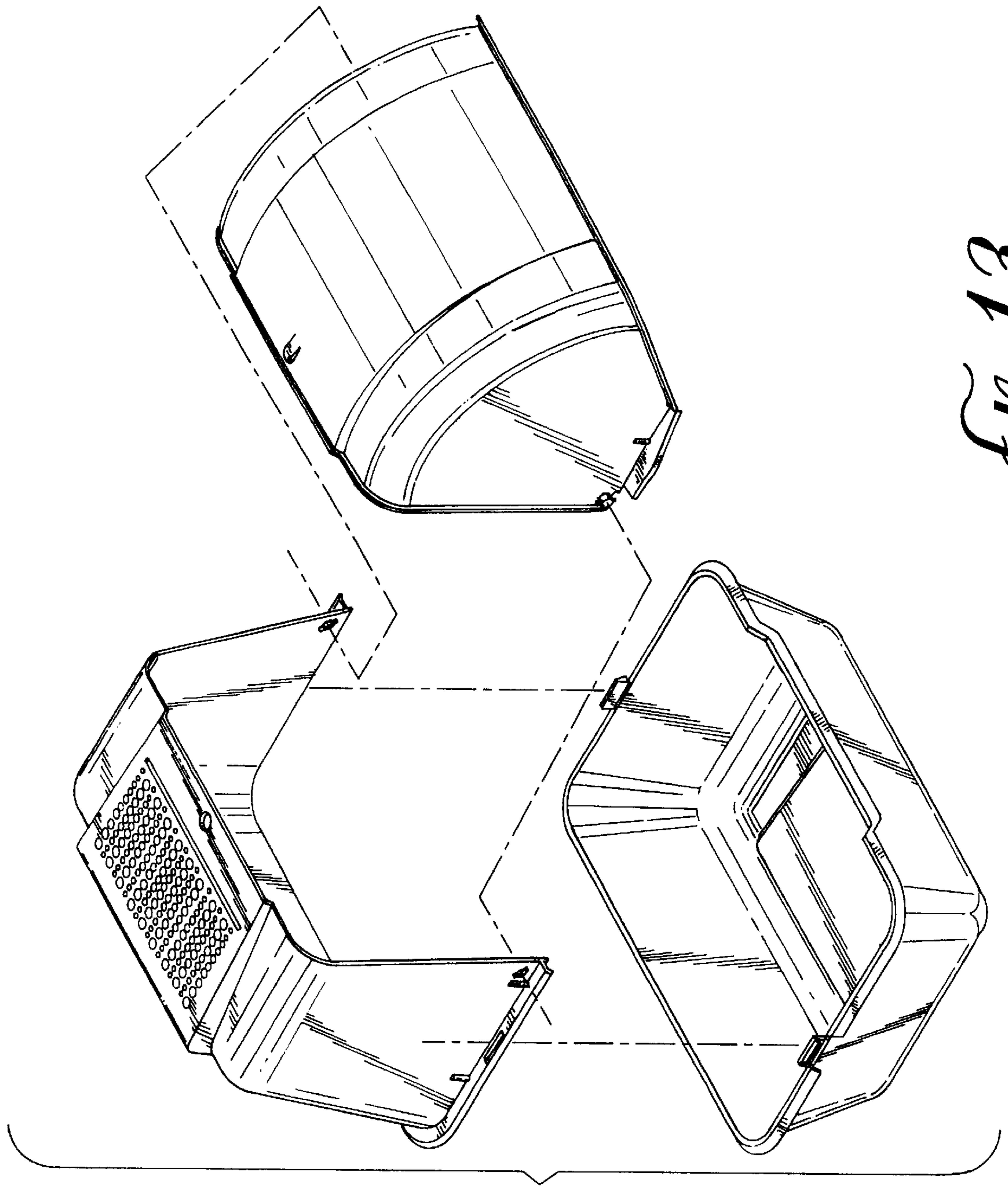


FIG. 13