



US00D399610S

# United States Patent [19] Ohadi

[11] **Patent Number: Des. 399,610**

[45] **Date of Patent: \*\*Oct. 13, 1998**

[54] **PET KENNEL**

5,544,619 8/1996 Braun ..... 119/474  
5,653,194 8/1997 Guy ..... 119/453

[75] Inventor: **Paul Ohadi**, Chicago, Ill.

[73] Assignee: **555 Design Fabrication Management, Inc.**, Chicago, Ill.

[\*\*] Term: **14 Years**

[21] Appl. No.: **74,467**

[22] Filed: **Jul. 31, 1997**

[51] **LOC (6) Cl.** ..... **30-02**

[52] **U.S. Cl.** ..... **D30/114; D30/108**

[58] **Field of Search** ..... D30/108, 109,  
D30/161, 114, 116; 119/496-498, 454,  
474, 491, 453, 418-419, 420, 489, 490,  
502, 512-513

[56] **References Cited**

### U.S. PATENT DOCUMENTS

D. 239,948	5/1976	Perkins	.....	D30/109
D. 382,373	8/1997	Louden	.....	D30/114
D. 382,374	8/1997	Burks	.....	D30/116
D. 394,985	3/1988	Blieden	.....	D30/109
579,612	3/1897	Stevens	.....	119/474
734,477	7/1903	Solomon	.....	119/454
930,216	8/1909	McClung	.....	119/496
1,217,796	2/1917	McFarland	.....	D30/108
1,550,829	8/1925	McBride	.....	D30/109
4,735,173	4/1988	DuBreuil	.....	119/512
4,781,147	11/1988	Delino, Jr.	.....	119/497
4,917,047	4/1990	Wazeter, III	.....	119/474
4,955,318	9/1990	Melborn et al.	.....	119/453
5,113,793	5/1992	Leader et al.	.....	119/497

### FOREIGN PATENT DOCUMENTS

1081293	12/1954	France	.....	119/489
1188699	9/1959	France	.....	119/474
7500717	4/1975	Netherlands	.....	119/474
1683598	10/1991	U.S.S.R.	.....	119/502
657770	9/1951	United Kingdom	.....	D30/108
2238296	5/1991	United Kingdom	.....	119/498

### OTHER PUBLICATIONS

Fritz Small Animal Products brochure page; Guinea pig cage item No. 169-60005; Aug. 1992.

*Primary Examiner*—Cathy Anne MacCormac  
*Attorney, Agent, or Firm*—Edward J. Chalfie

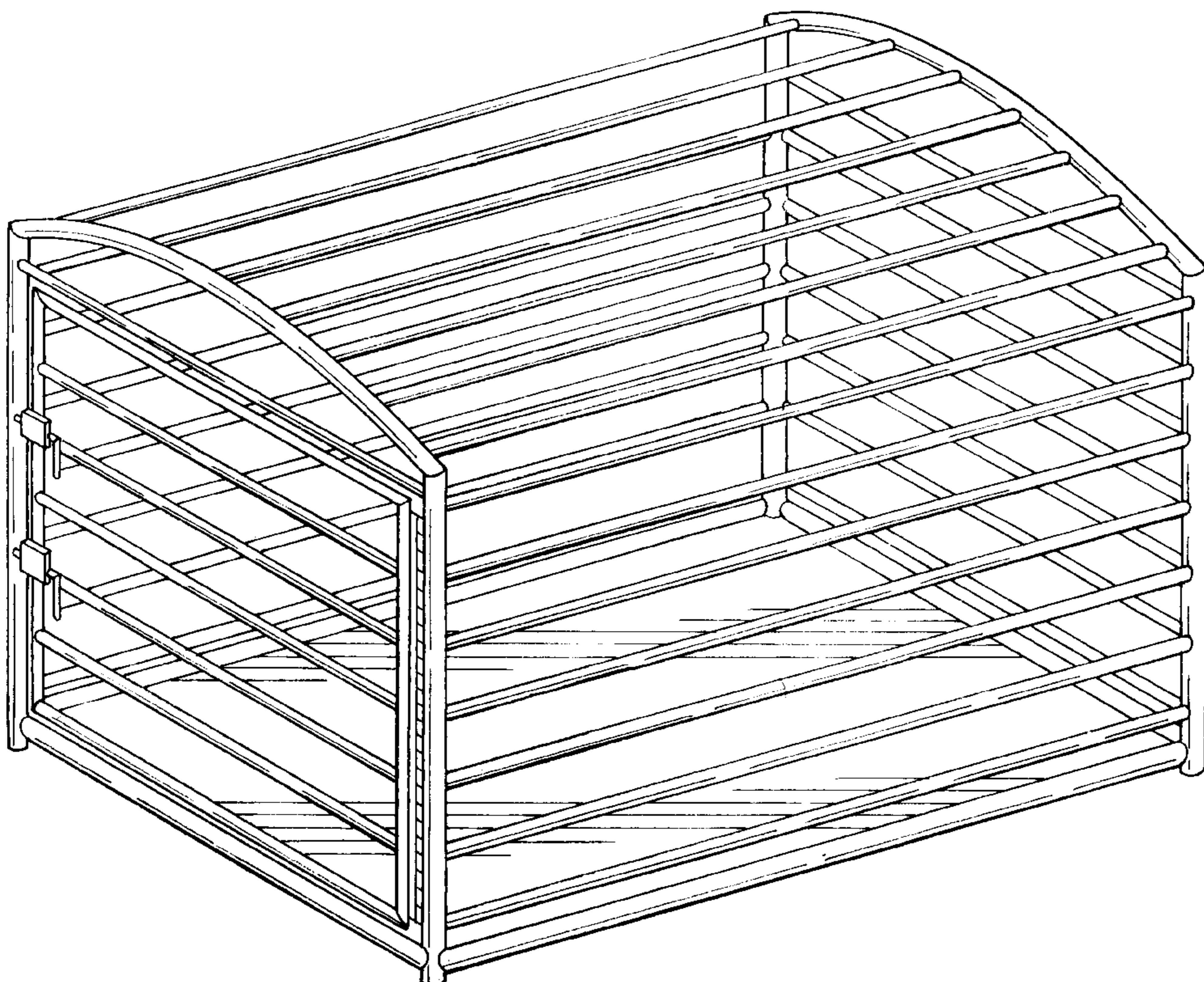
### [57] CLAIM

The ornamental design for a pet kennel, as shown and described.

### DESCRIPTION

FIG. 1 is a perspective view of the pet kennel embodying the present invention;  
FIG. 2 is an enlarged front elevation thereof; the broken lines are for purposes of illustration only and form no part of the claimed design;  
FIG. 3 is a left side elevation thereof, the right elevation is a mirror-image;  
FIG. 4 is a top plan view thereof;  
FIG. 5 is a rear elevation thereof; and,  
FIG. 6 is a bottom plan view thereof.

**1 Claim, 6 Drawing Sheets**





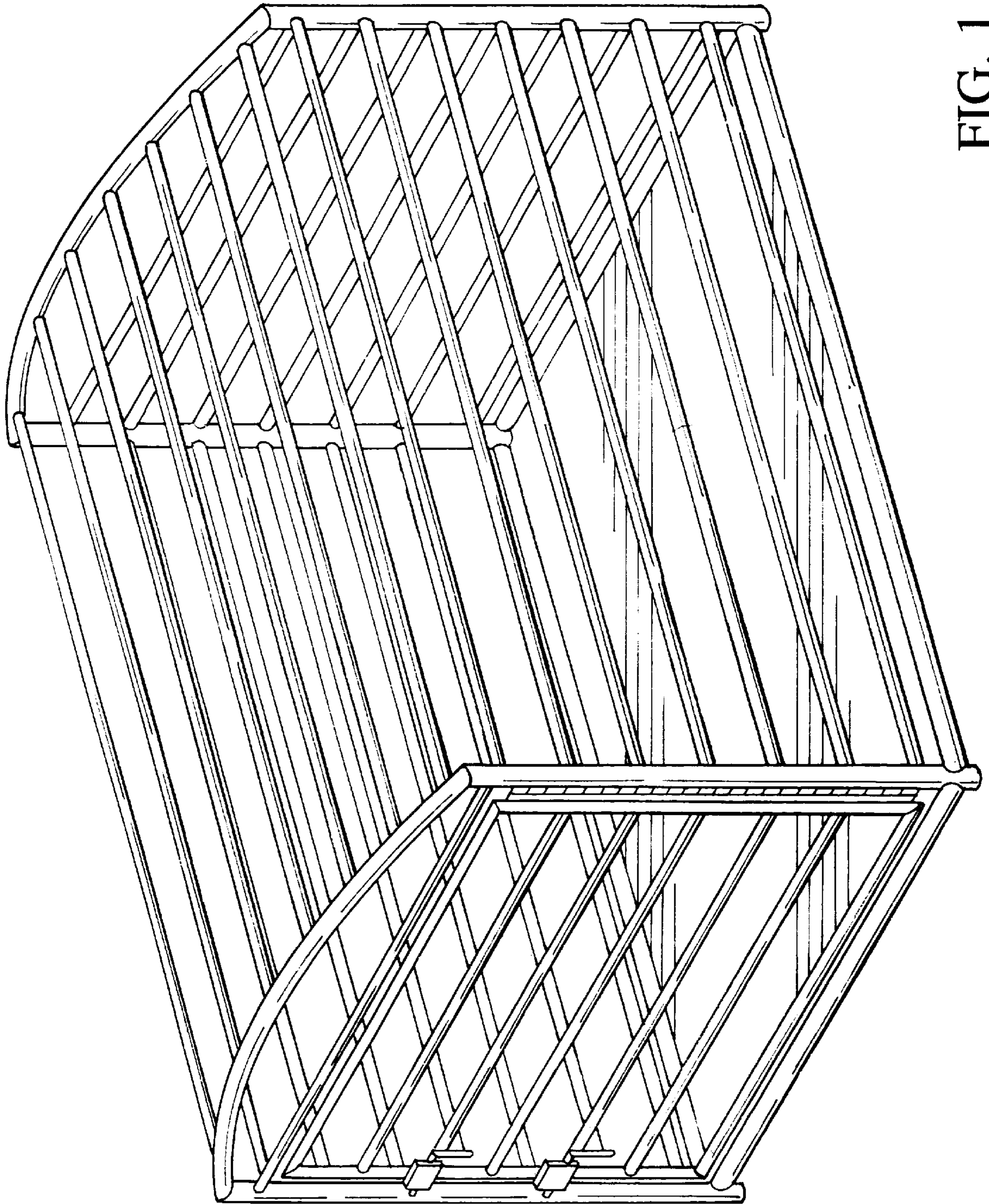


FIG. 1

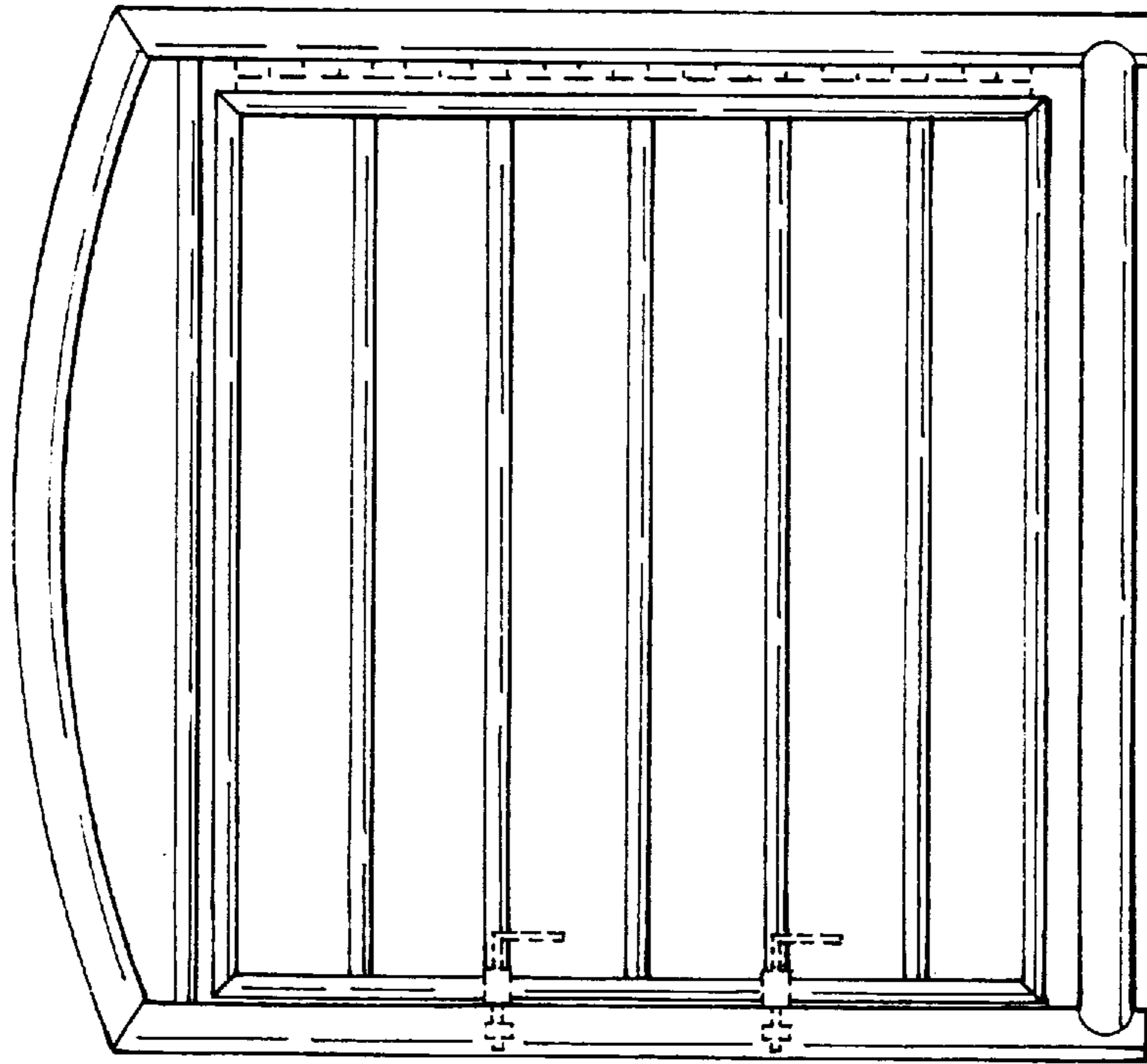


FIG. 2

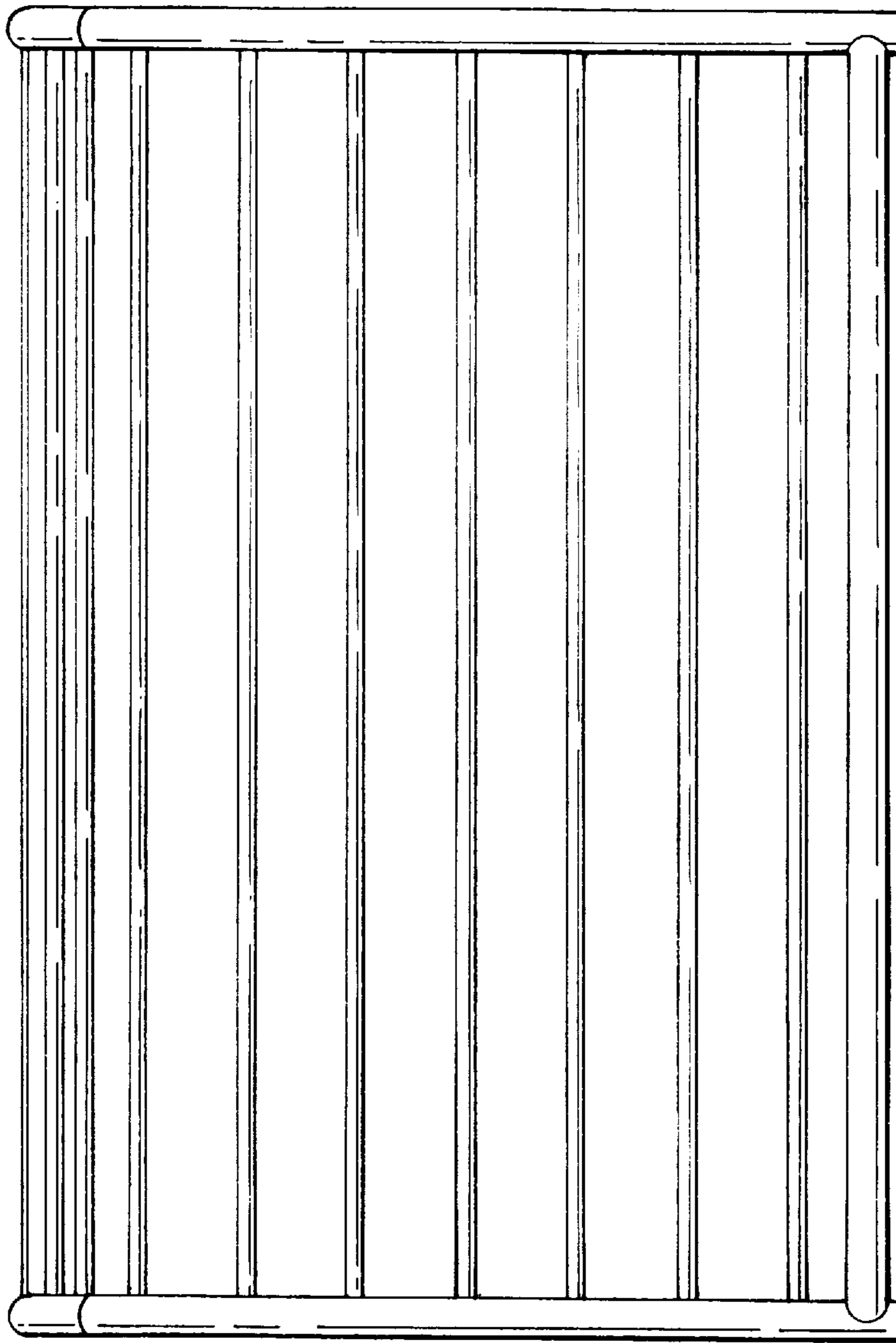


FIG. 3

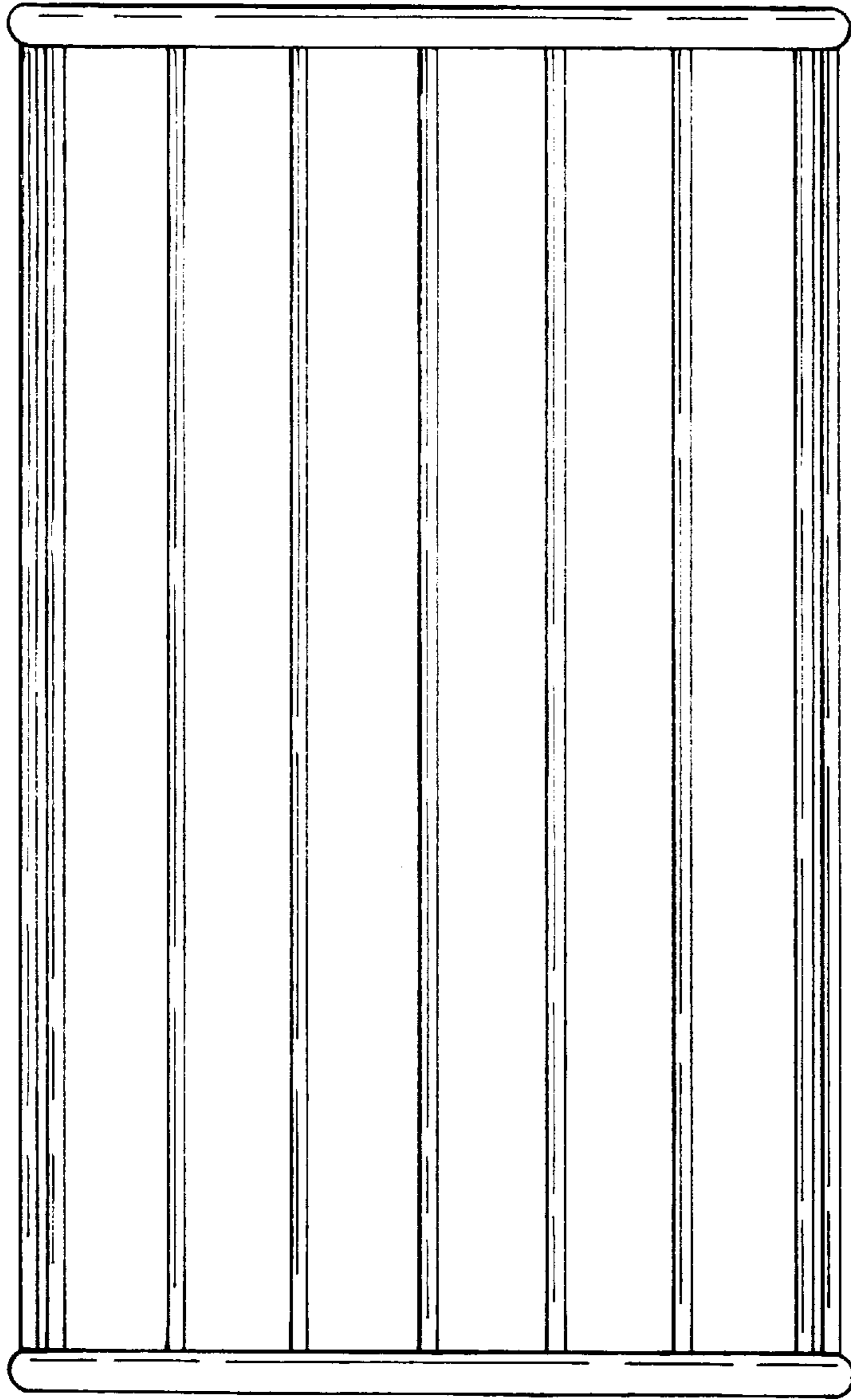


FIG. 4

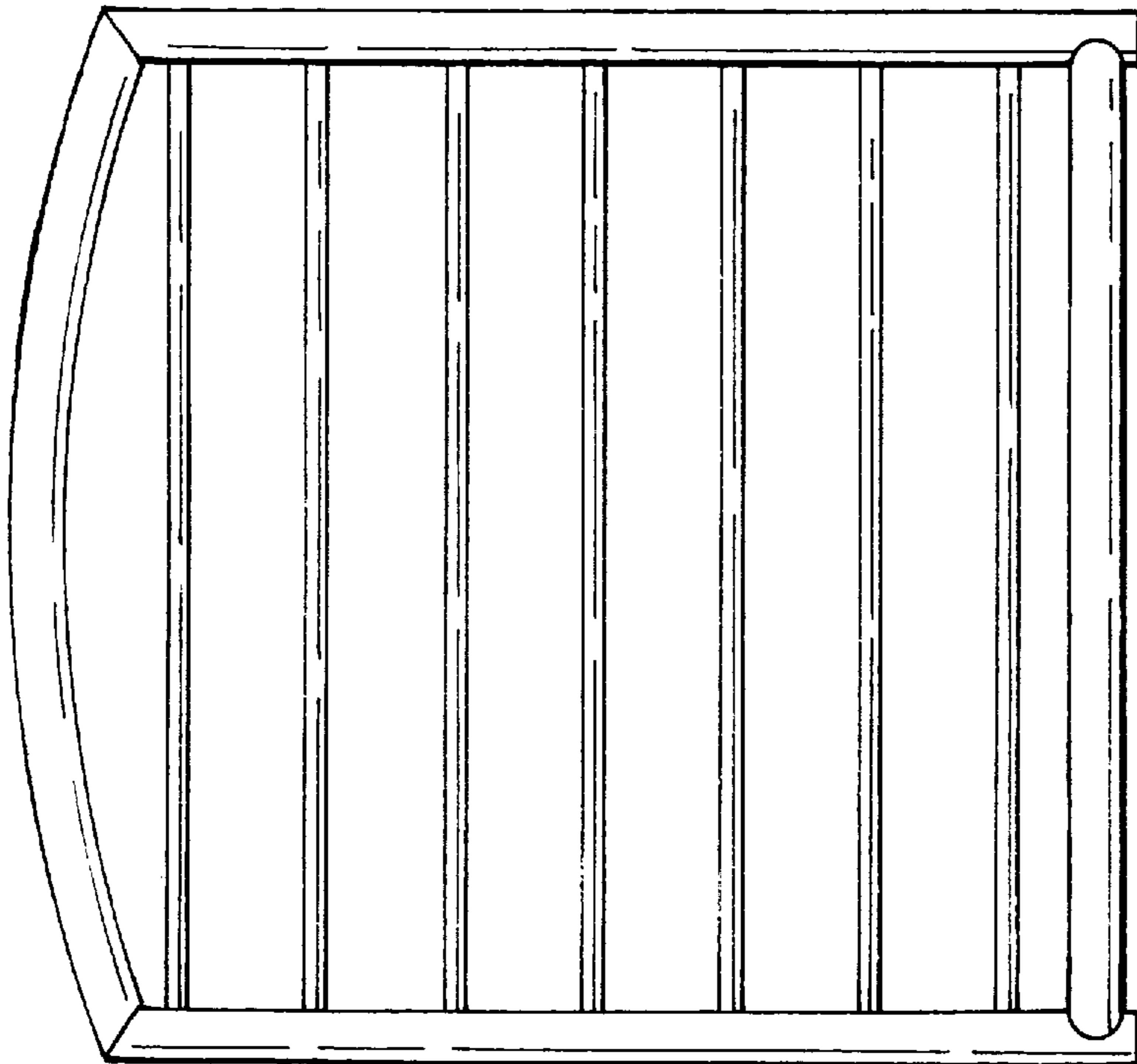


FIG. 5

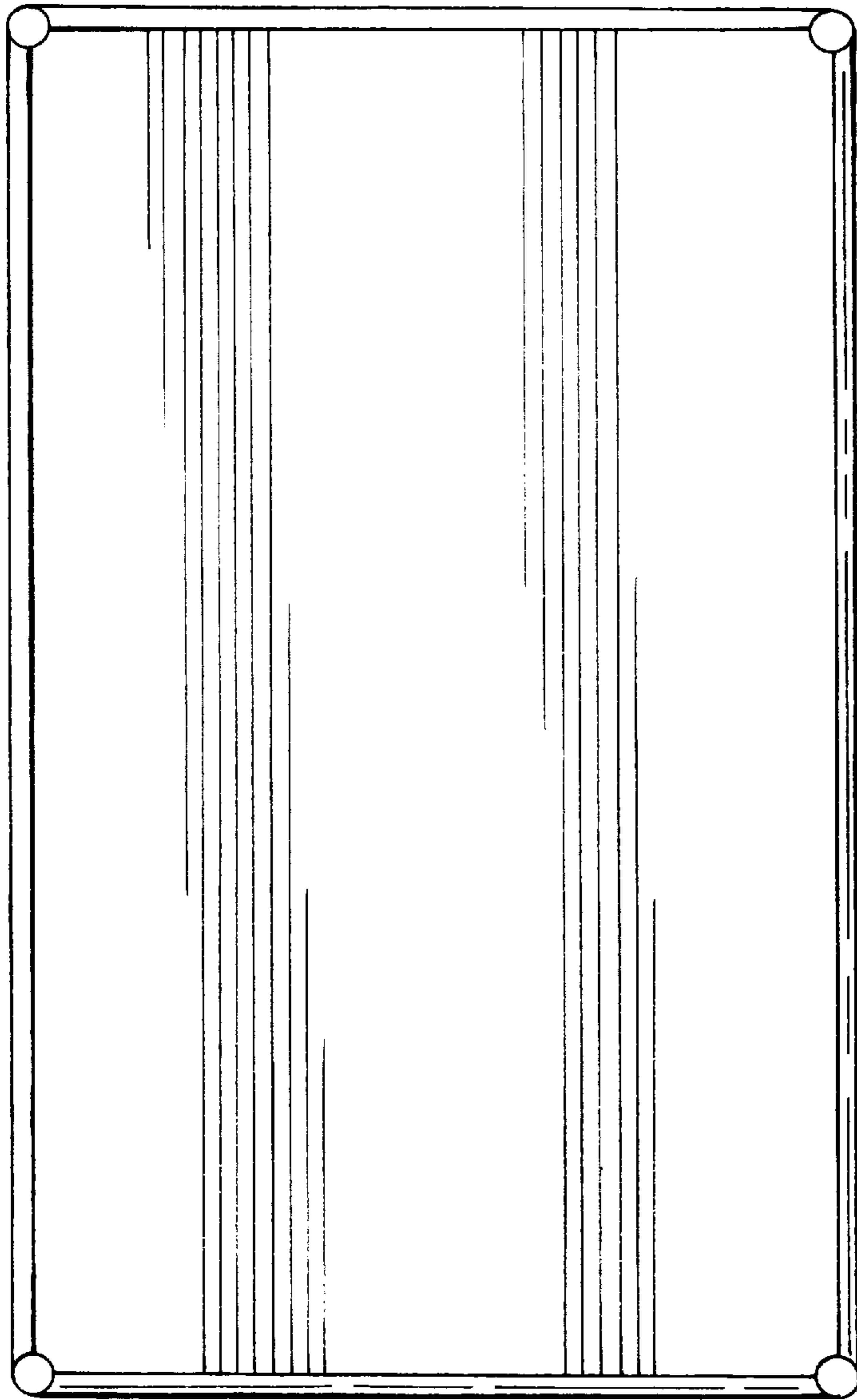


FIG. 6