



US00D399609S

United States Patent [19]

Allen et al.

[11] Patent Number: Des. 399,609

[45] Date of Patent: **Oct. 13, 1998

[54] VETERINARY ISOLATION CAGE

[75] Inventors: Ken Allen, Spring Valley; James F. Allen, Wilmington, both of Ohio

[73] Assignee: The Mason Company, Leesberg, Ohio

[**] Term: 14 Years

[21] Appl. No.: 69,445

[22] Filed: Apr. 1, 1997

[51] LOC (6) Cl. 30-02

[52] U.S. Cl. D30/108

[58] Field of Search D30/108, 109, D30/161; 119/498, 489, 496, 165, 420, 502

3,924,571 12/1975 Holman .
4,023,529 5/1977 Landy .
4,085,705 4/1978 Gland et al. .
4,201,153 5/1980 Nace .
4,216,741 8/1980 Moss .

(List continued on next page.)

FOREIGN PATENT DOCUMENTS

331219 9/1989 European Pat. Off. .
2606969 5/1988 France .
4349832 12/1992 Japan .
6278876 10/1994 Japan .
782773 11/1980 U.S.S.R. .
1179551 1/1970 United Kingdom .
1419505 12/1975 United Kingdom .
2276088 9/1994 United Kingdom .
09407359 4/1994 WIPO .

Primary Examiner—Cathy Anne MacCormac
Attorney, Agent, or Firm—Wood, Herron & Evans

[56] References Cited

U.S. PATENT DOCUMENTS

D. 39,212 3/1908 Pinkerton-Gardiner D30/108
D. 88,368 11/1932 Stoner D30/108
D. 245,190 7/1977 Higo .
D. 279,944 8/1985 McLaren et al. .
D. 307,495 4/1990 Logan, Jr. .
D. 338,985 8/1993 Altman et al. D30/108
D. 364,712 11/1995 Murphy et al. .
D. 367,732 3/1996 Murphy et al. .
D. 374,510 10/1996 Baretto, III et al. .
744,405 11/1903 Reno 119/498
880,700 3/1908 Turney .
2,524,229 10/1950 Krueger .
2,857,880 10/1958 Stone, Jr. .
3,098,465 7/1963 Ivey .
3,157,155 11/1964 Duntley 119/498
3,163,151 12/1964 Bostwick .
3,234,908 2/1966 Daskocil 119/496
3,237,599 3/1966 Torrey et al. .
3,318,285 5/1967 Betham .
3,396,702 8/1968 Trussell .
3,630,174 12/1971 Runkle et al. .
3,698,360 10/1972 Rubricius .
3,731,657 5/1973 Alessio .
3,749,061 7/1973 Connelly .
3,791,348 2/1974 Marnett .
3,872,832 3/1975 Quinn 119/165
3,885,523 5/1975 Coleman .
3,919,978 11/1975 Schaefer .

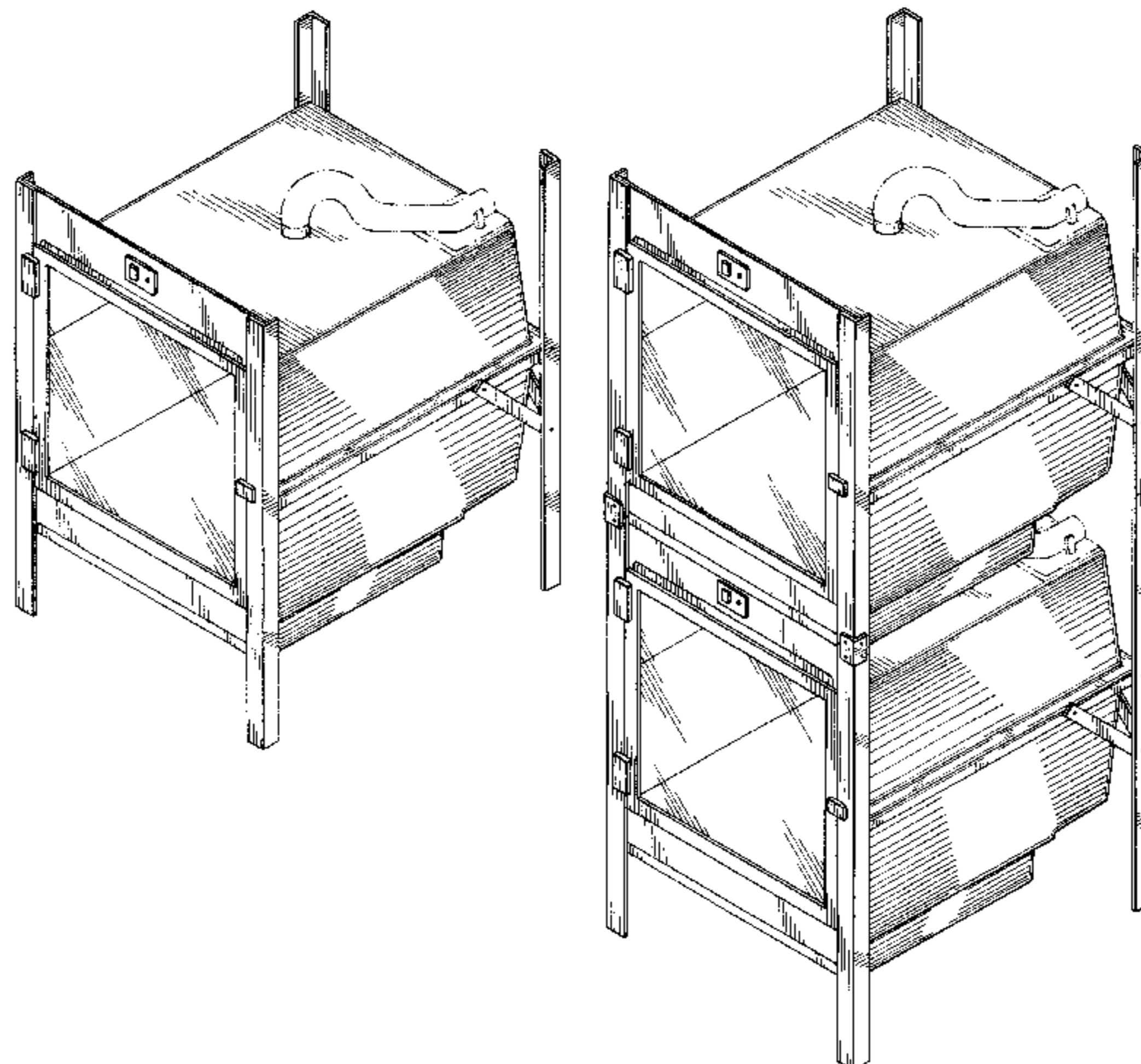
[57] CLAIM

The ornamental design for the veterinary isolation cage, as shown and described.

DESCRIPTION

FIG. 1 is a perspective view of a veterinary isolation cage showing our new design;
FIG. 2 is a front elevational view thereof;
FIG. 3 is a right side elevational view thereof;
FIG. 4 is a rear elevational view thereof;
FIG. 5 is a top plan view of FIG. 7;
FIG. 6 is a bottom view of FIG. 7;
FIG. 7 is a perspective view of a second embodiment of FIG. 1;
FIG. 8 is a front elevational view of FIG. 7;
FIG. 9 is a left side elevational view of FIG. 7;
FIG. 10 is a right side elevational view of FIG. 5; and,
FIG. 11 is a rear elevational view of FIG. 5.
The top plan and bottom views of the first embodiment of FIGS. 1-4 would look the same as FIGS. 5 and 6 except there would be no bracket around the outside of the legs. The broken lines are for purposes of illustration only and form no part of the claimed design.

1 Claim, 4 Drawing Sheets



Des. 399,609

Page 2

U.S. PATENT DOCUMENTS

4,249,482	2/1981	Harr .	4,930,445	6/1990	Chestnut	D30/108
4,305,347	12/1981	Hemenway et al. .	5,140,947	8/1992	Bruce	119/502
4,340,859	7/1982	Farley .	5,140,948	8/1992	Roberts .	
4,343,261	8/1982	Thomas .	5,148,771	9/1992	Schuett et al. .	
4,343,304	8/1982	Hickmann	5,213,059	5/1993	Krantz .	
4,357,903	11/1982	Moss et al. .	5,220,882	6/1993	Jenkins	119/420
4,365,590	12/1982	Ruggieri et al. .	5,247,901	9/1993	Landon et al. .	
4,402,280	9/1983	Thomas .	5,311,836	5/1994	Sheaffer et al. .	
4,526,133	7/1985	LoMaglio .	5,316,964	5/1994	Mimms et al.	119/502
4,794,879	1/1989	Thom et al. .	5,335,617	8/1994	Hoffman .	
4,862,831	9/1989	Graham .	5,471,241	11/1995	Goguen et al.	119/496
			5,476,066	12/1995	Hoffman .	

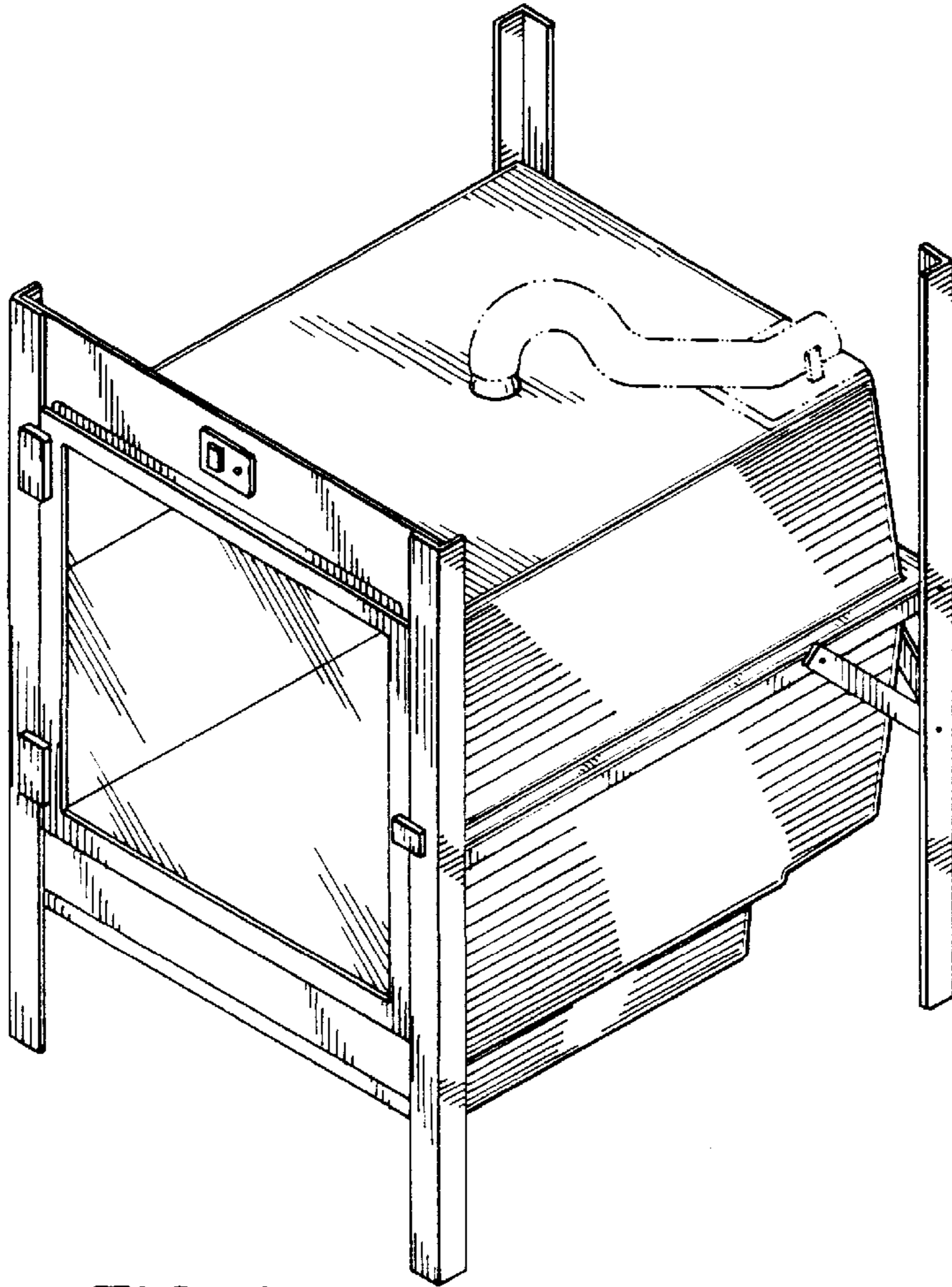


FIG. 1

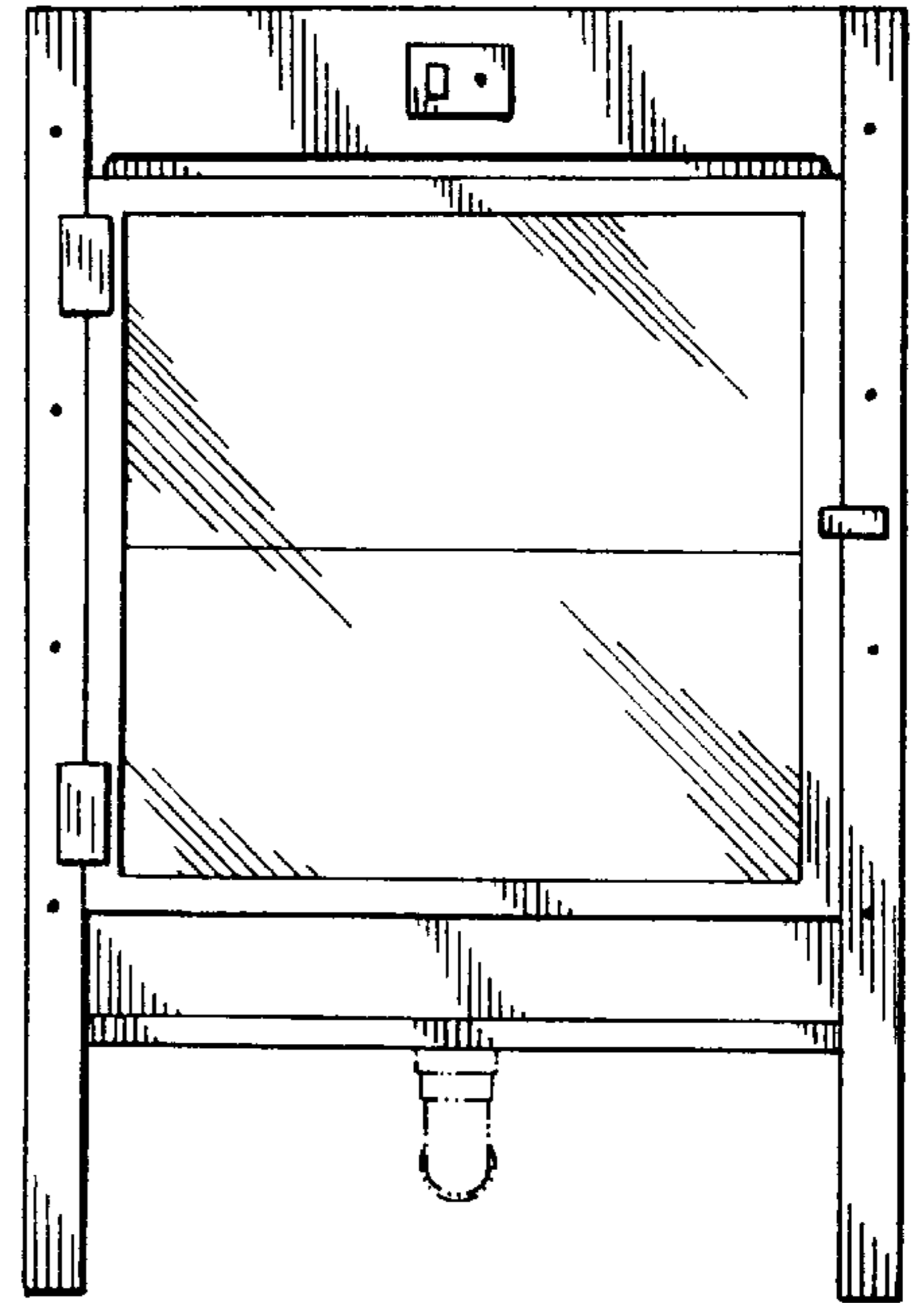


FIG. 2

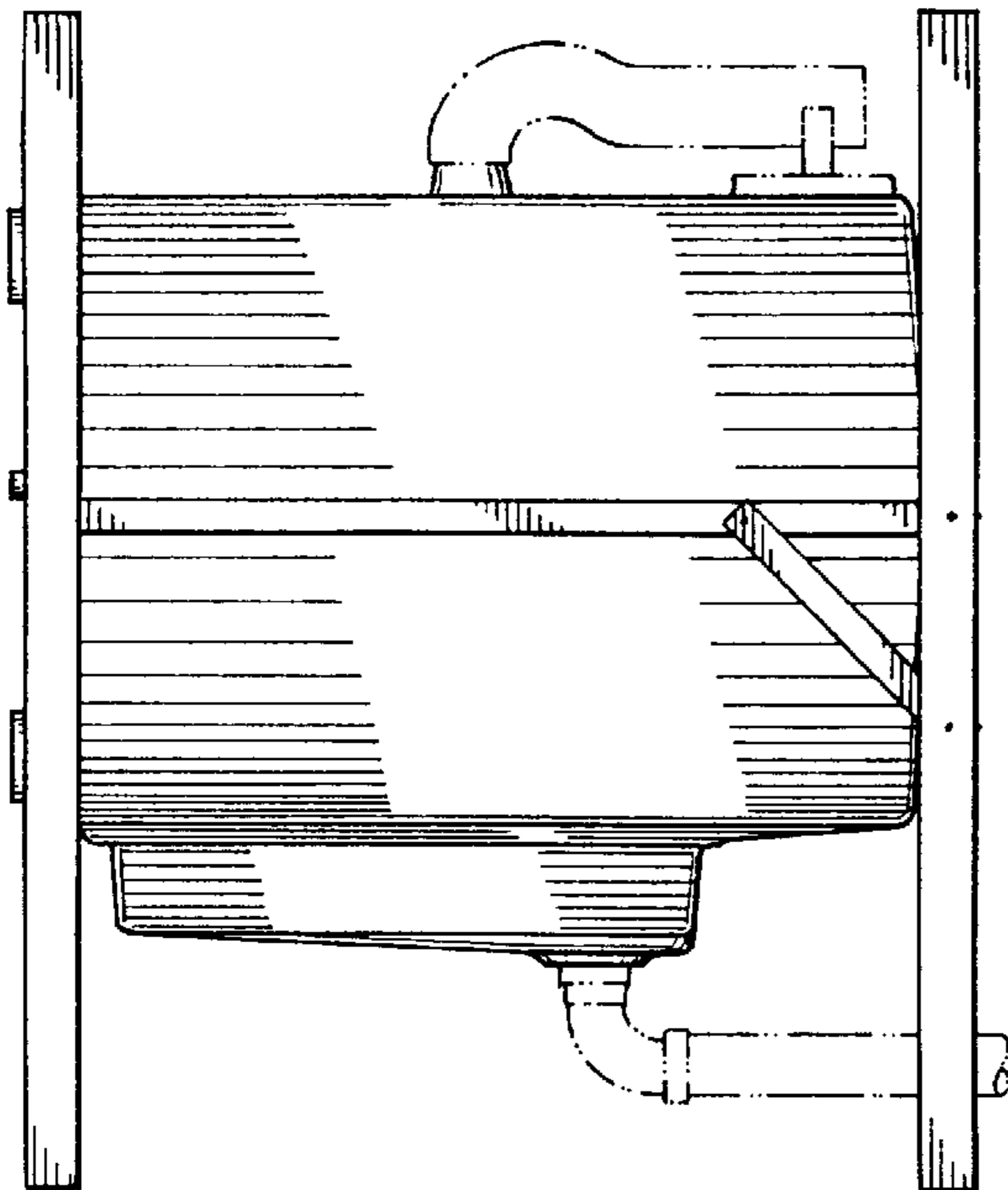


FIG. 3

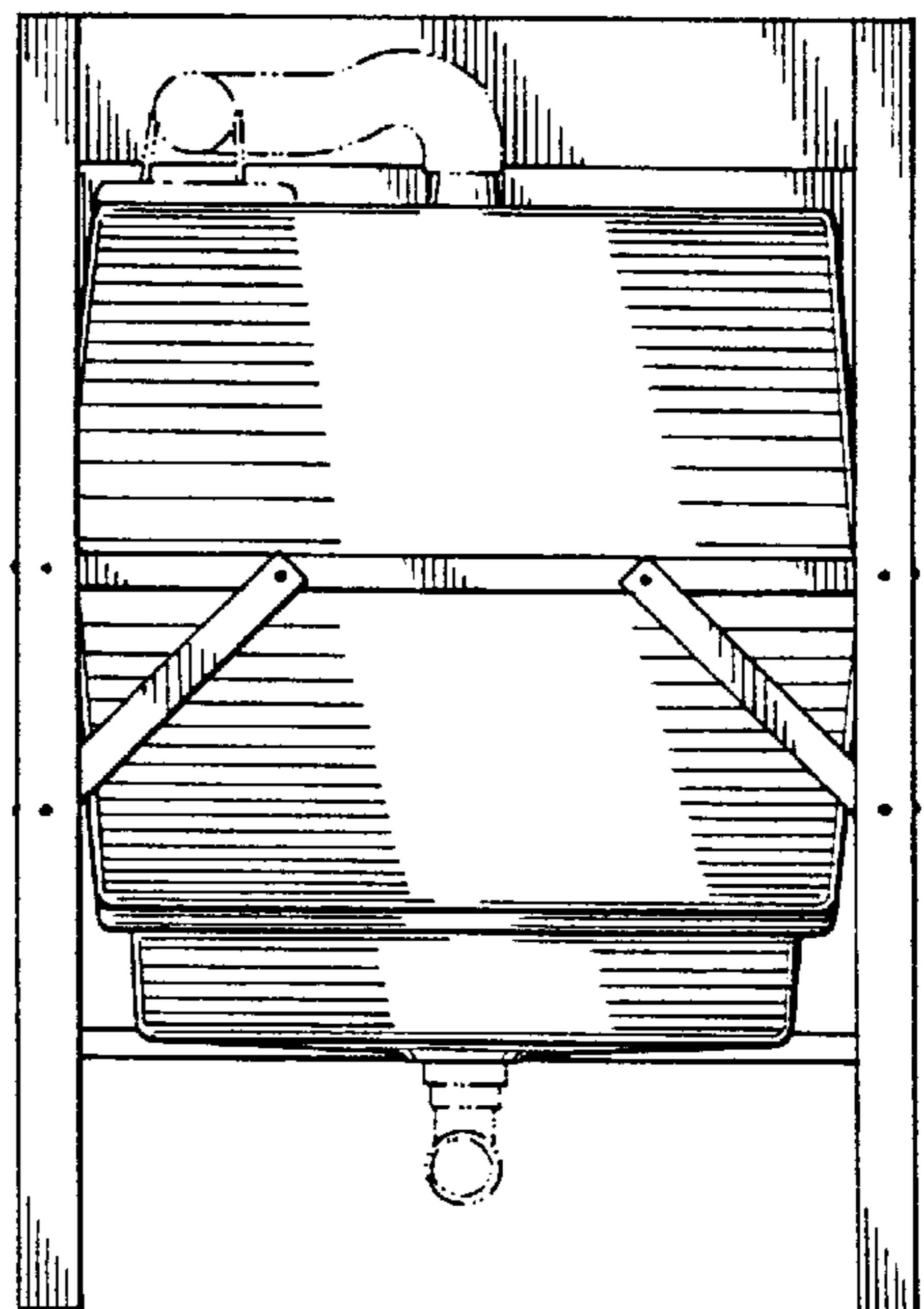


FIG. 4

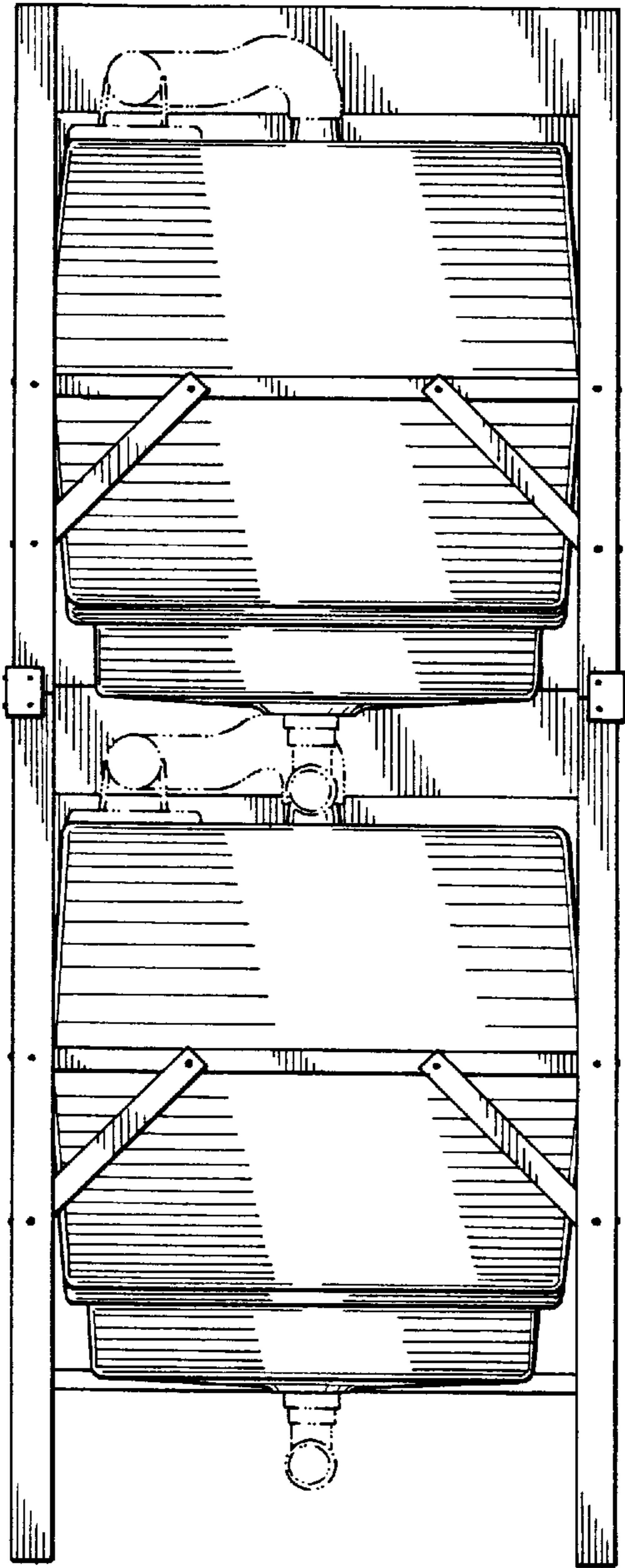


FIG. 11

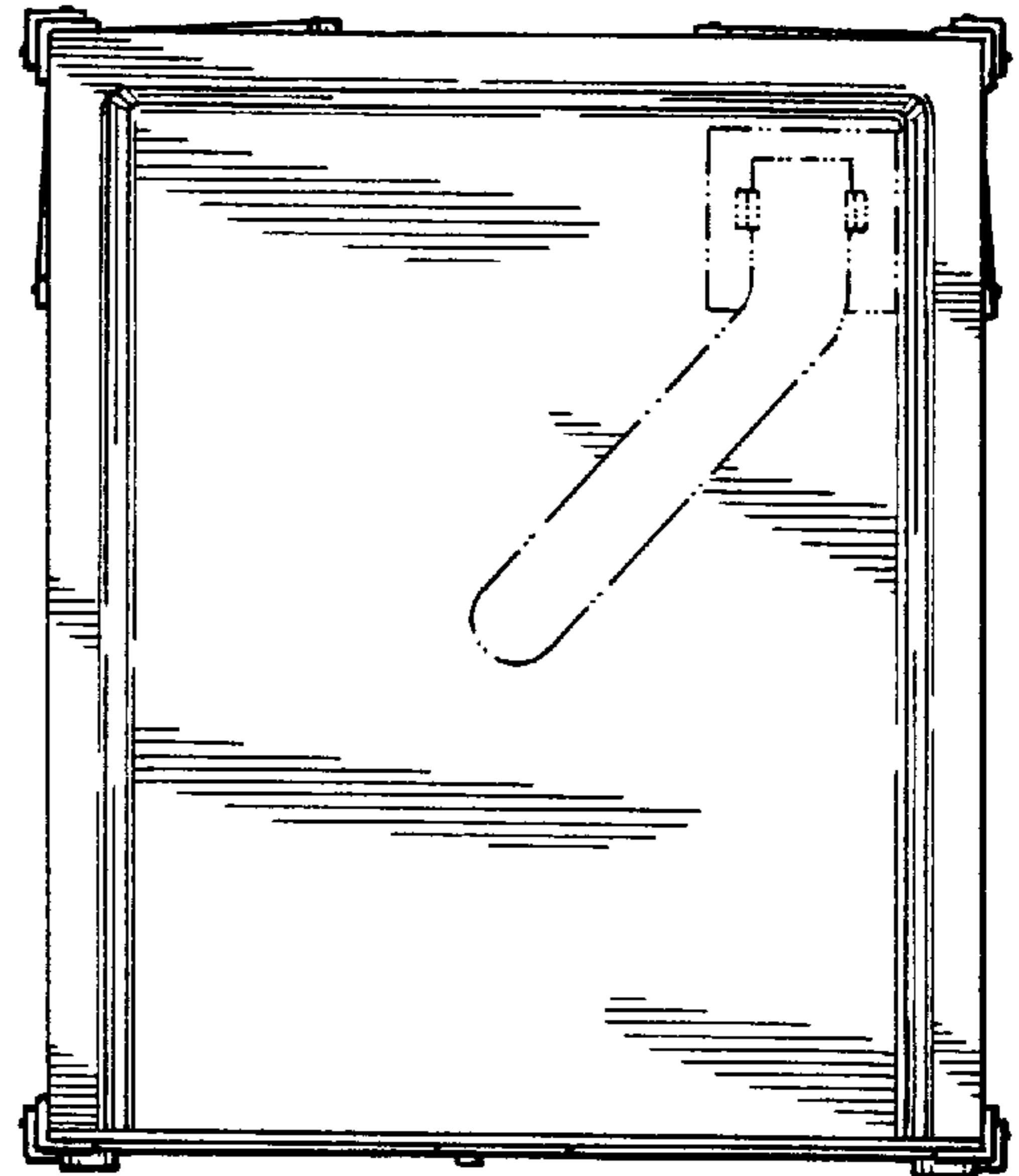


FIG. 5

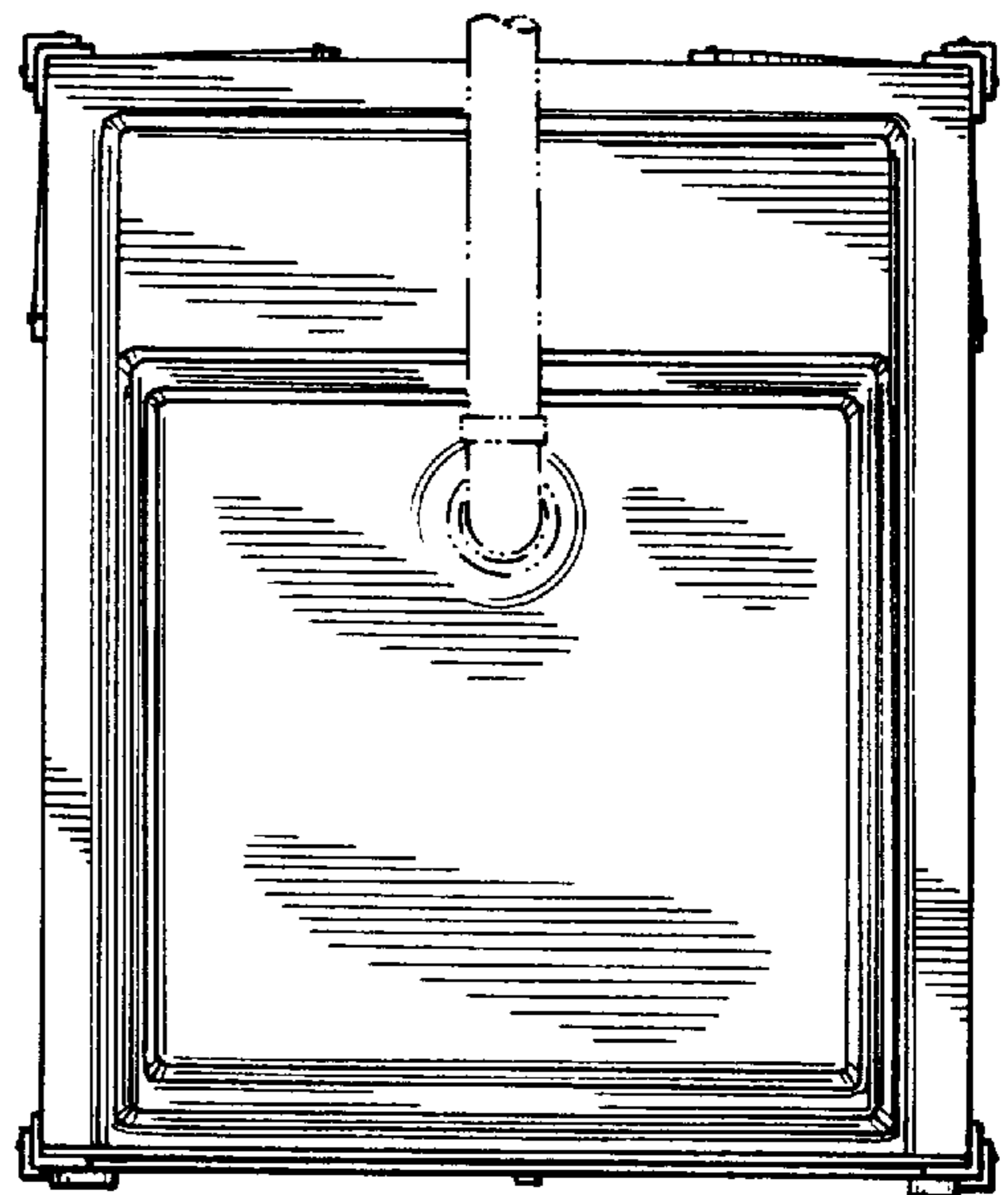


FIG. 6

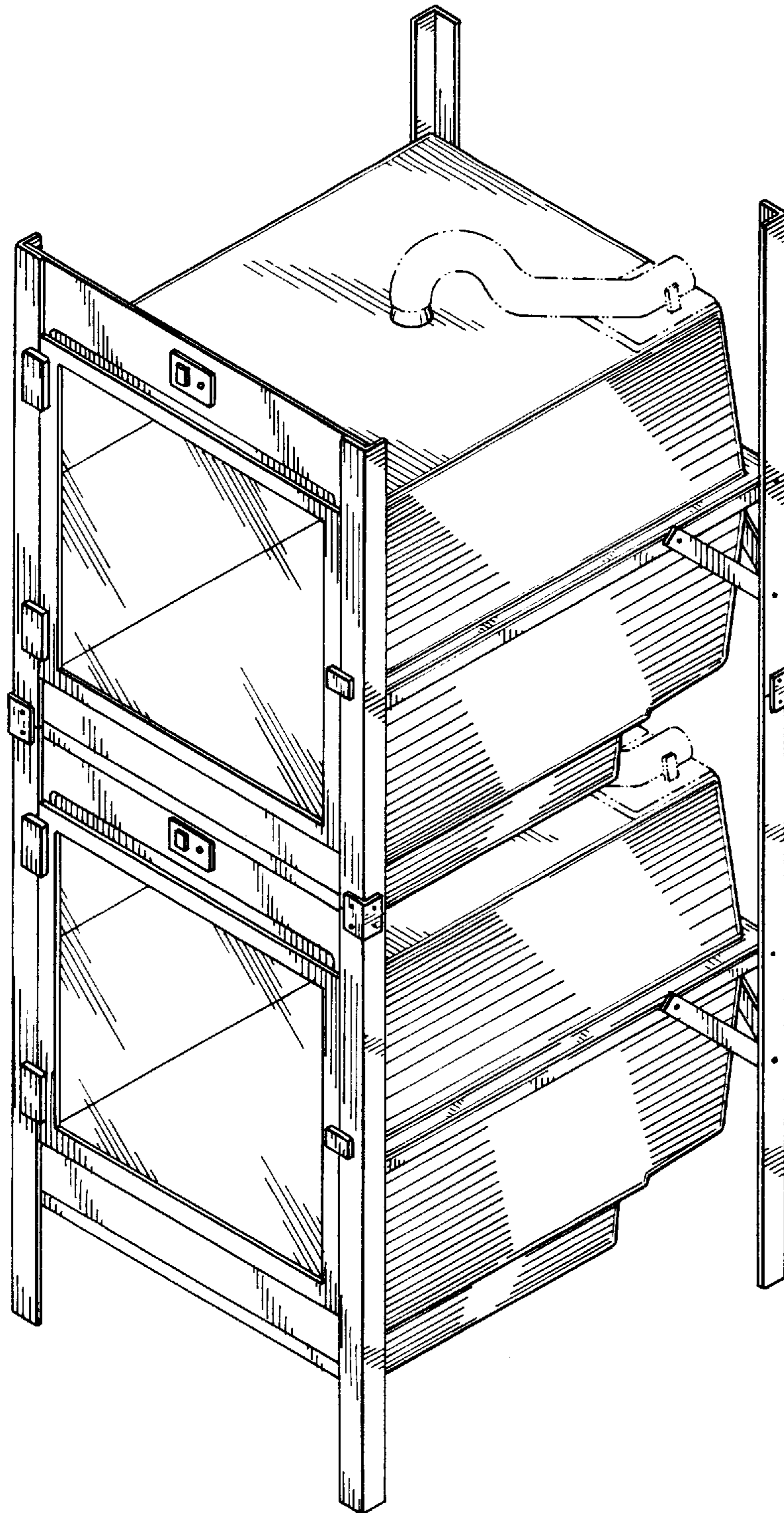


FIG. 7

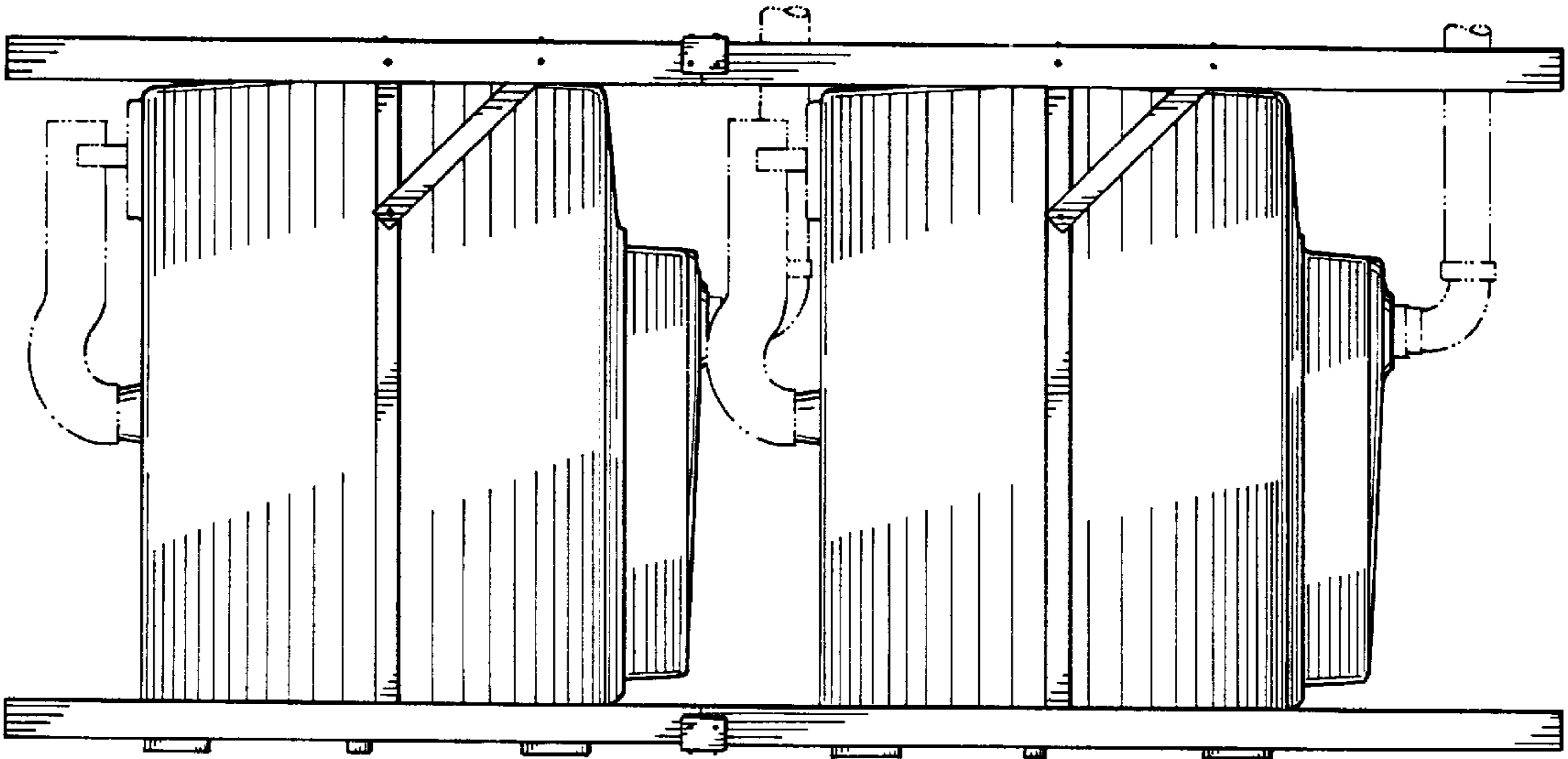


FIG. 10

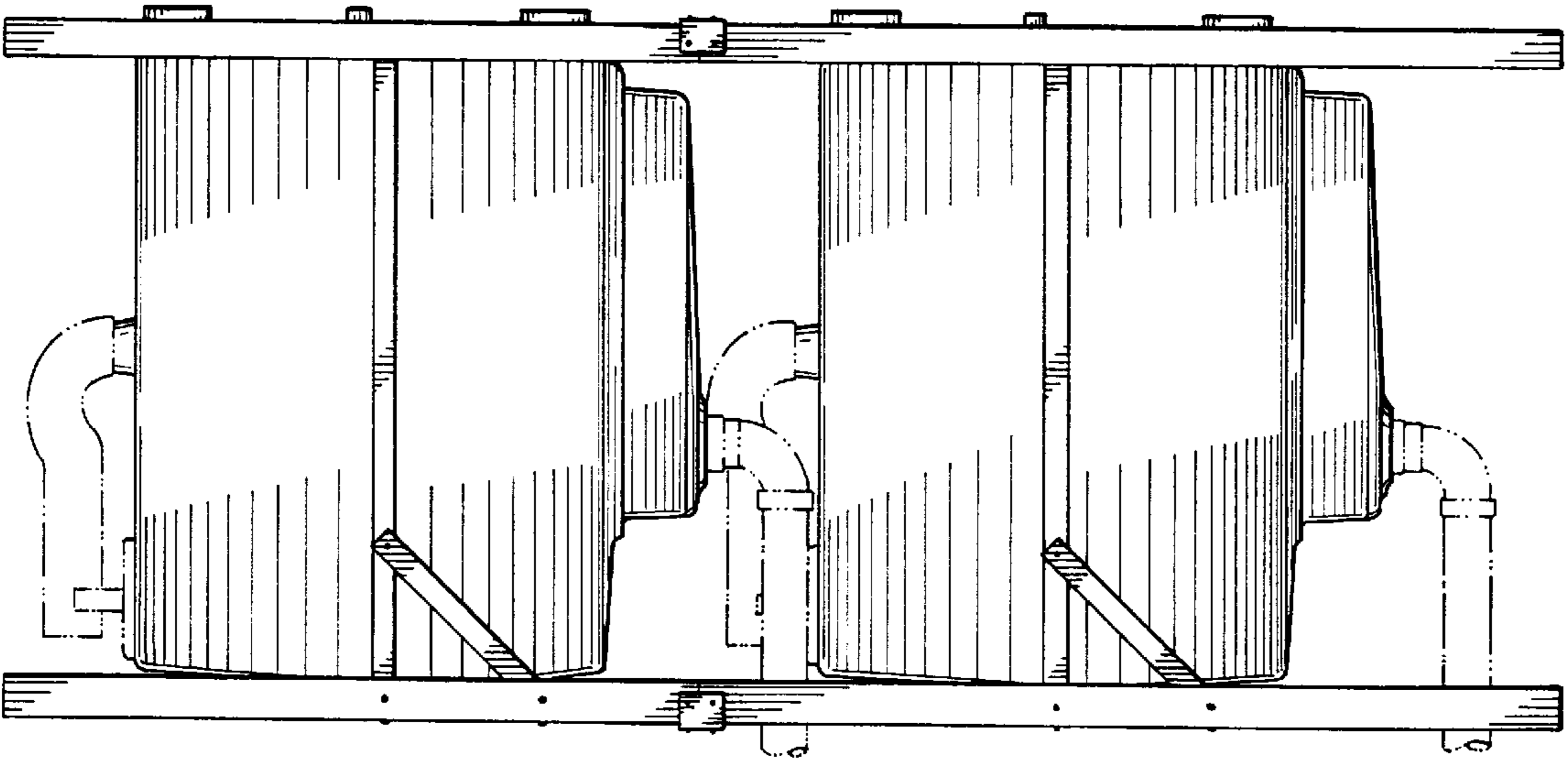


FIG. 9

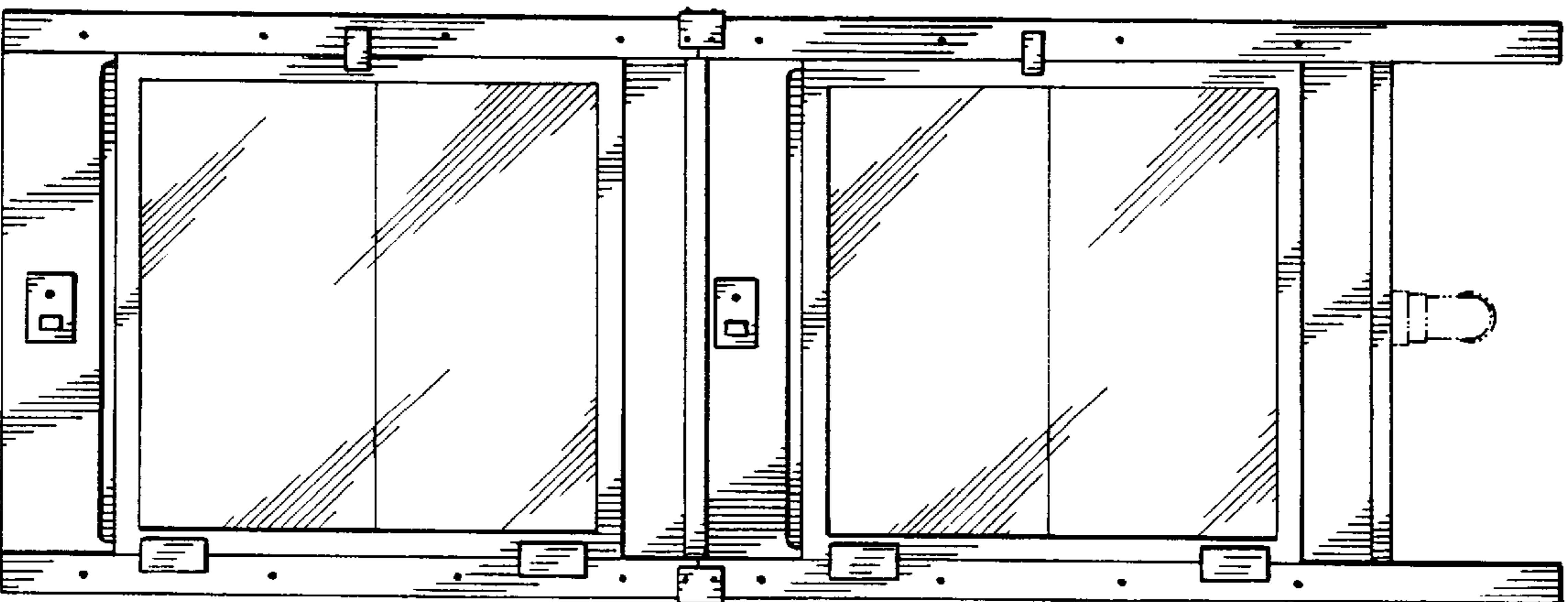


FIG. 8