



US00D399606S

# United States Patent [19]

Folise

[11] Patent Number: **Des. 399,606**

[45] Date of Patent: **\*\*Oct. 13, 1998**

[54] **BICYCLE ACCESSORY FOR WARMING THE EARS OF A BICYCLE RIDER**

[76] Inventor: **Michael J. Folise**, 4201 SW. Graham #12, Seattle, Wash. 98136

[\*\*] Term: **14 Years**

[21] Appl. No.: **72,653**

[22] Filed: **Jun. 20, 1997**

### Related U.S. Application Data

[62] Division of Ser. No. 35,002, Feb. 17, 1995, Pat. No. Des. 380,179.

[51] **LOC (6) Cl.** ..... **29-02**

[52] **U.S. Cl.** ..... **D29/112; D2/891**

[58] **Field of Search** ..... D12/178, 114, D12/181, 400; 2/17, 209, 267, 268, 44, 45, 249, 464, 468, 423; 280/288.4, 304; 21/15, 53, 57, 423; 74/551.8, 551.9; D29/121, 100, 113, 112, 108; D2/711, 700, 706, 705, 701, 860, 870, 878, 891; D24/190, 191, 189, 110.1, 110.3; 450/57

### [56] References Cited

#### U.S. PATENT DOCUMENTS

D. 167,089	6/1952	Leight	.....	D29/112
D. 331,130	11/1992	Williams	.....	D29/112
D. 339,659	9/1993	Collins	.....	D29/112
D. 344,611	2/1994	Hordis	.....	D29/112
1,857,974	5/1932	Reno	.....	D29/112 X

2,030,790	2/1936	Hermann	.....	2/209
2,120,189	6/1938	Reinemer	.....	2/209
2,545,552	3/1951	Leeming	.....	2/209
2,635,251	4/1953	Silvestri	.....	2/268
2,700,162	1/1955	Fuller	.....	2/209
3,197,785	8/1965	Simpson et al.	.....	2/209 X
3,471,865	10/1969	Molitoris	.....	2/423
5,340,352	8/1994	Nakanishi et al.	.....	450/57

*Primary Examiner*—James Gandy  
*Assistant Examiner*—Linda Brooks  
*Attorney, Agent, or Firm*—Richardson & Folise

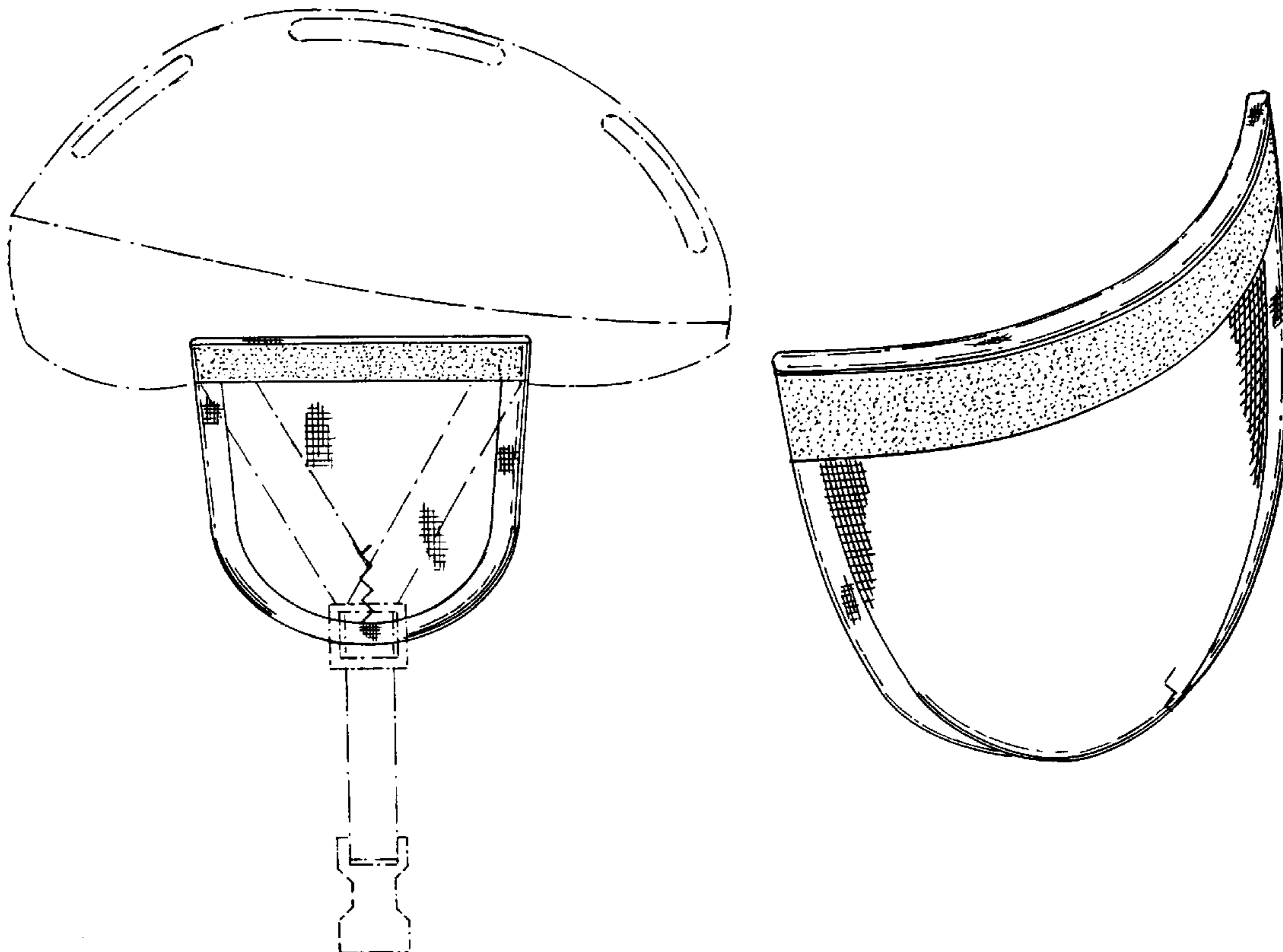
### [57] CLAIM

The ornamental design for a bicycle accessory for warming the ears of a bicycle rider, as shown and described.

### DESCRIPTION

FIG. 1 is a side elevational view of the bicycle accessory for warming the ears of a bicycle rider, with a helmet and straps shown in broken lines for purposes of illustration only and forming no part of the claimed design; FIG. 2 is an enlarged, side isometric view of the invention; FIG. 3 is a rear elevational view of FIG. 2; FIG. 4 is a left side elevational view of FIG. 2, the right side elevational view being a mirror image thereof; FIG. 5 is a top plan view of FIG. 2; and, FIG. 6 is a bottom plan view of FIG. 2. The crisscross lines which are partially shown on the surface of the bicycle accessory for warming the ears of a bicycle rider in FIGS. 1 through 7 are understood to repeat uniformly across the entire surface.

**1 Claim, 2 Drawing Sheets**



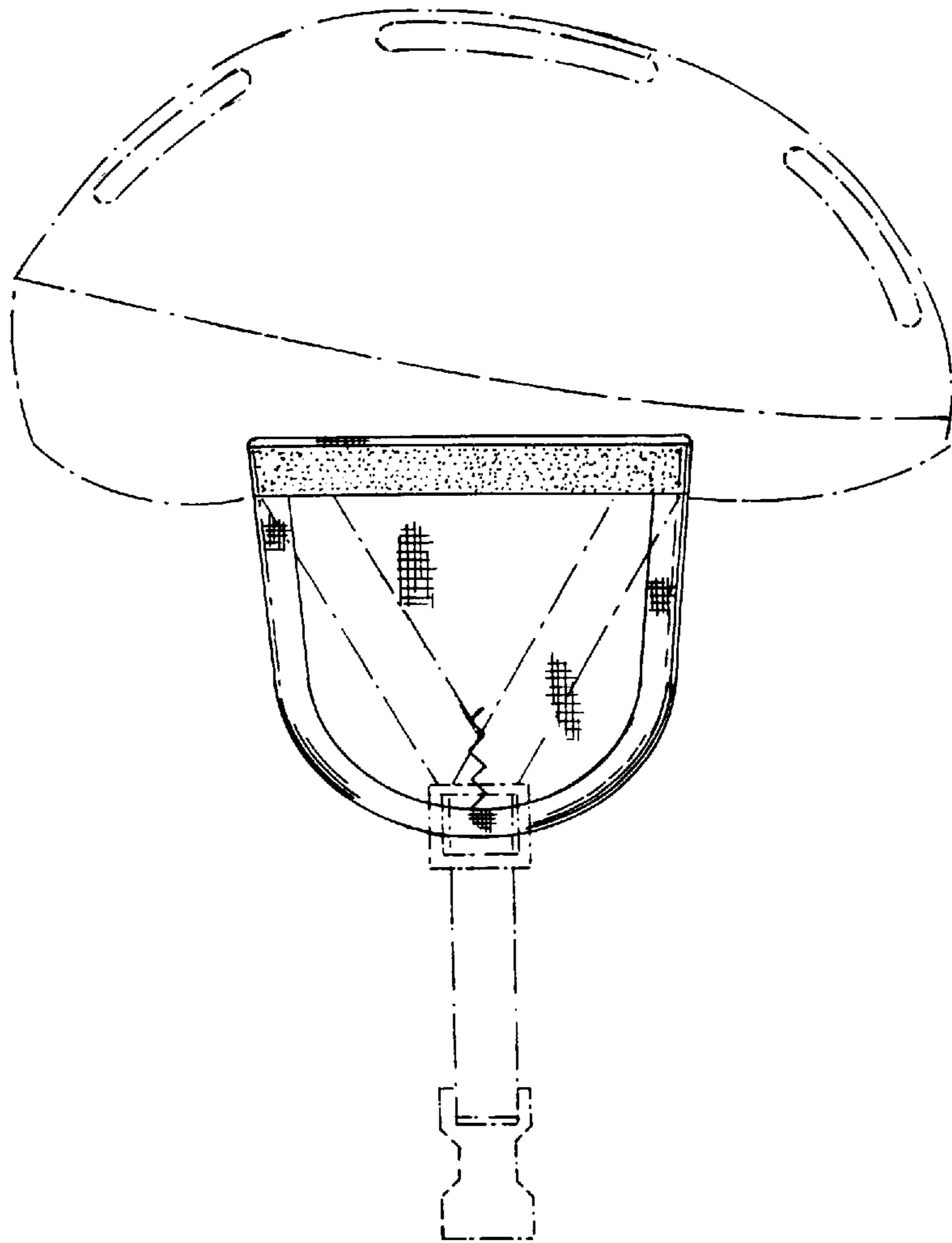


FIG. 1

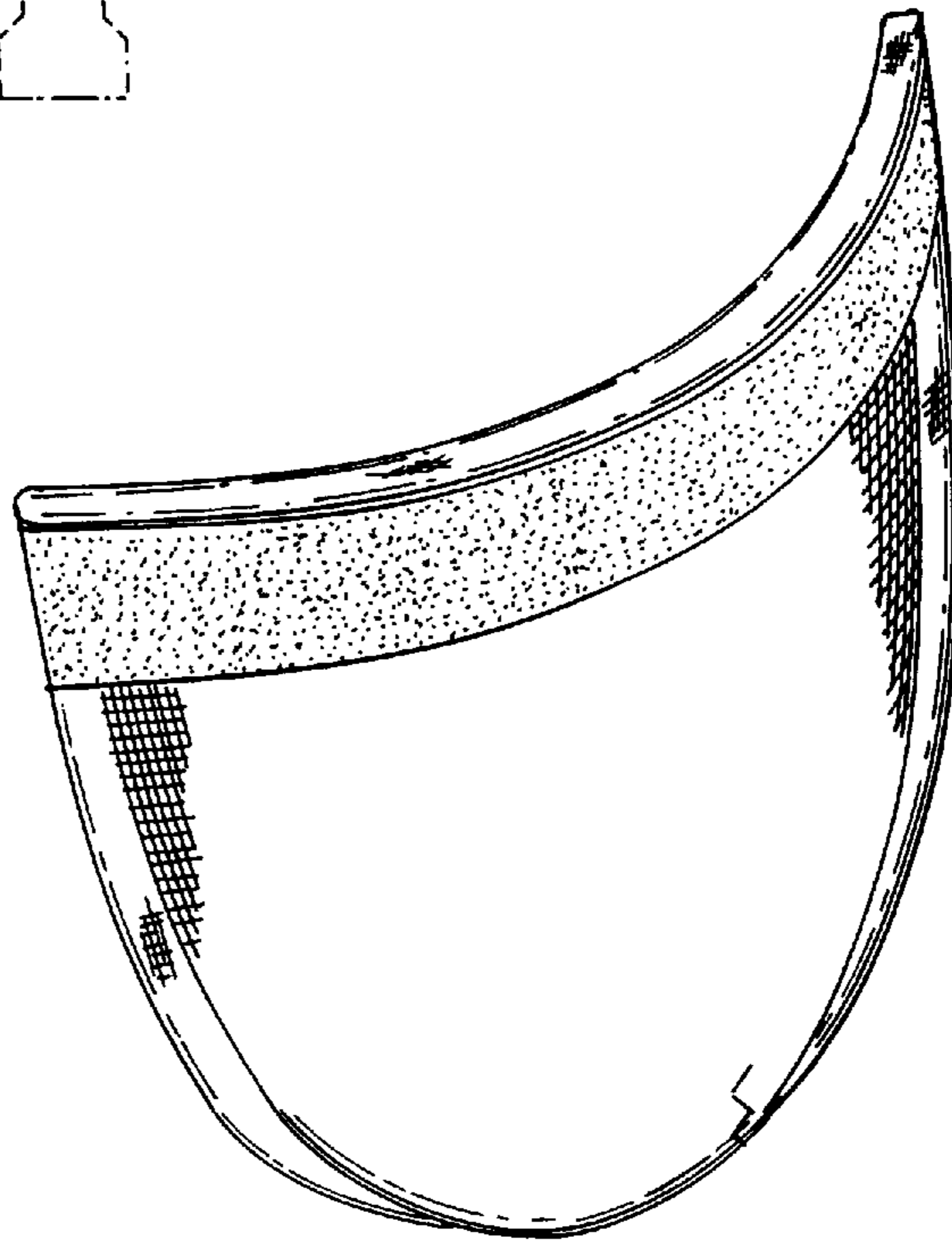


FIG. 2

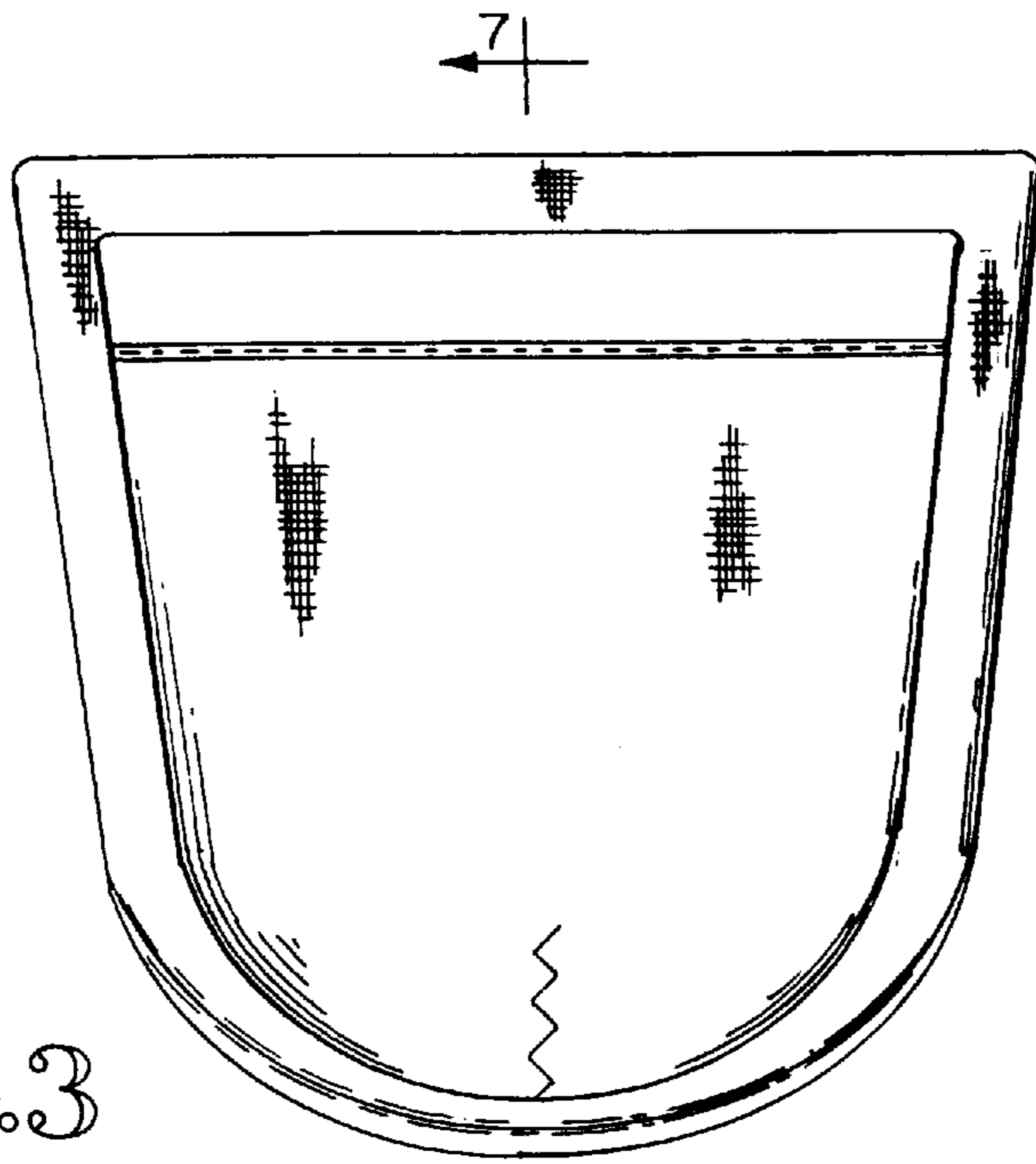


FIG. 3

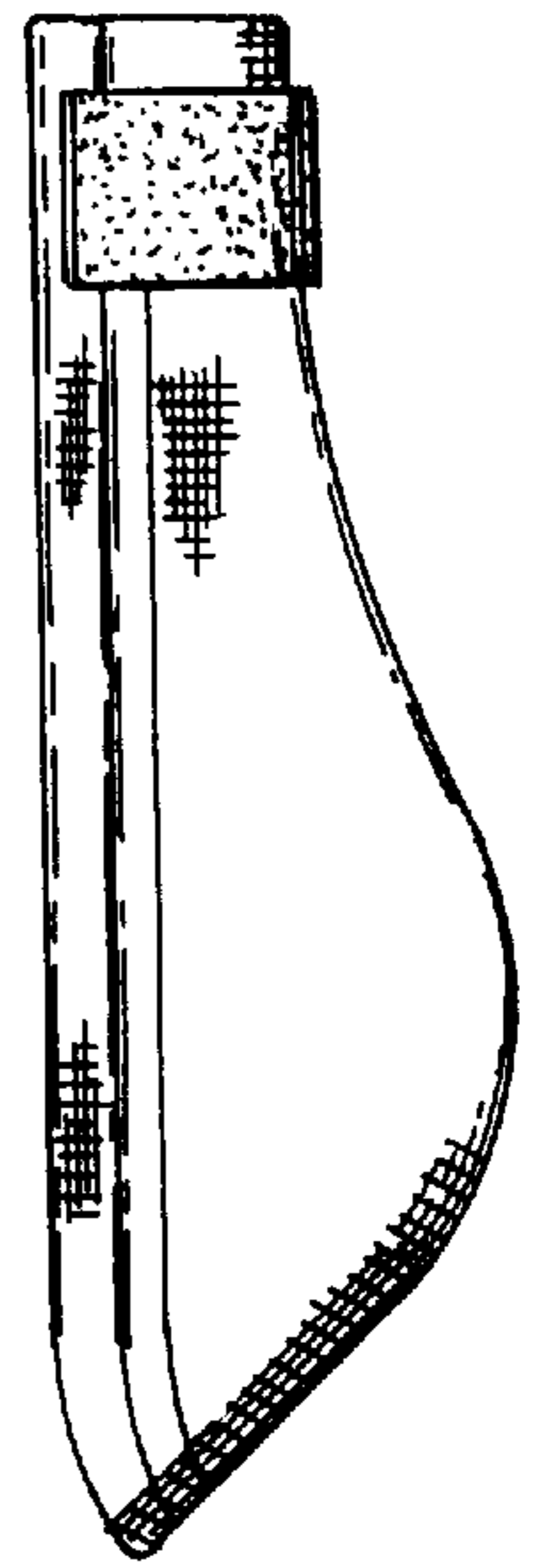


FIG. 4

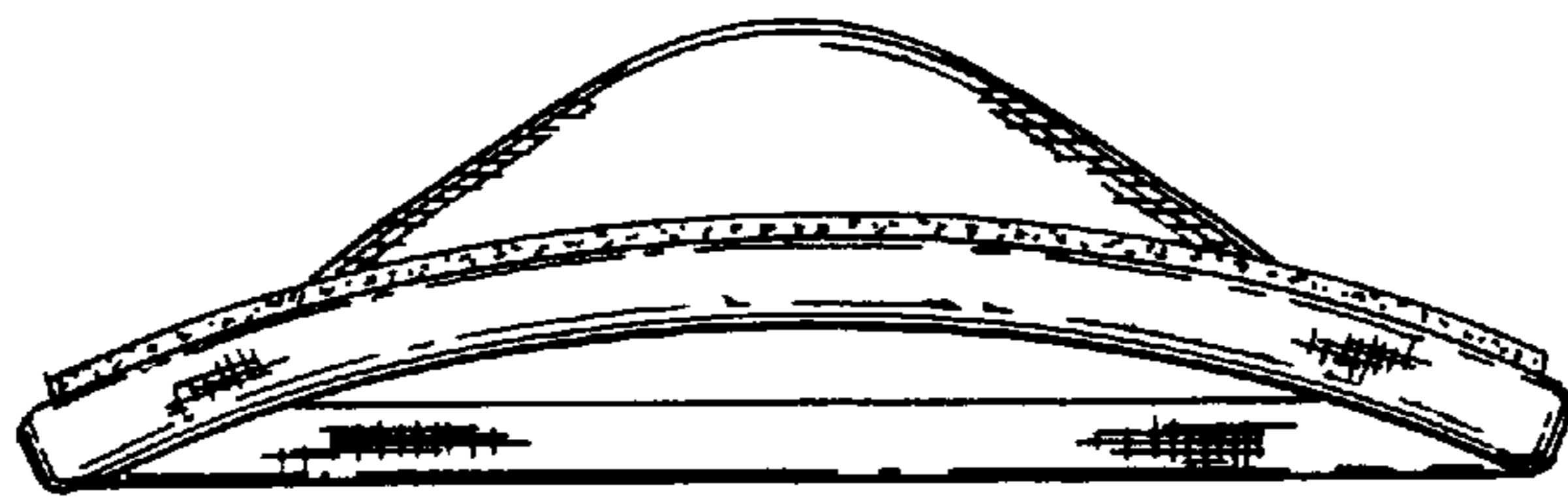


FIG. 5

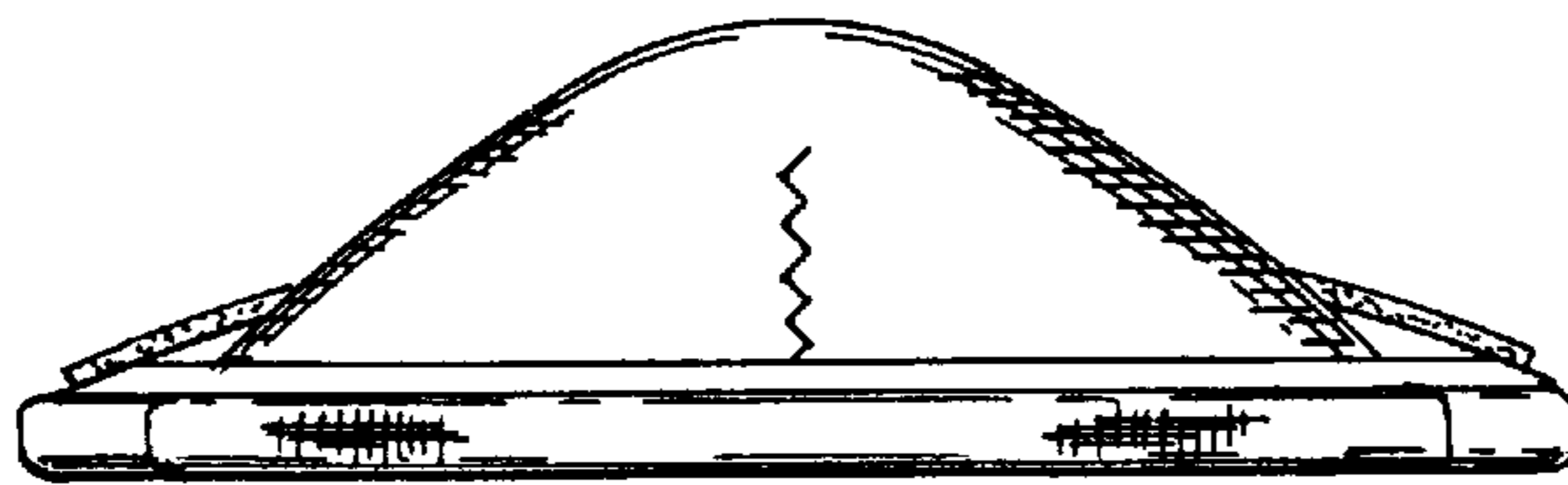


FIG. 6