



US00D399605S

United States Patent [19] Metcalf

[11] Patent Number: **Des. 399,605**

[45] Date of Patent: ****Oct. 13, 1998**

[54] **WRIST BAND MOUNTED CONTAINER FOR LIP BALM**

[76] Inventor: **James A. Metcalf**, 2627 Melony Dr., Salt Lake City, Utah 84124

[**] Term: **14 Years**

[21] Appl. No.: **65,383**

[22] Filed: **Jul. 19, 1996**

[51] **LOC (6) Cl.** **28-03**

[52] **U.S. Cl.** **D28/77; D28/83**

[58] **Field of Search** D28/76-78, 83; D9/337, 420-423, 424; D3/205, 212, 215, 225; D11/2; 132/293-307, 314-316; 401/88, 59, 60; 220/DIG. 26; 206/581, 823, 235, 385, 37, 38; 224/220-222, 673, 678, 679

[56] **References Cited**

U.S. PATENT DOCUMENTS

D. 92,235	5/1934	D'Andria	D28/77
D. 93,052	8/1934	Scott	D28/77
D. 146,918	6/1947	Hornung	D3/205
D. 159,293	7/1950	Otto	D9/424
D. 173,832	1/1955	Braun	D9/420
D. 241,176	8/1976	Kingsford	D28/78
D. 304,099	10/1989	Bakic	D28/83
1,485,915	3/1924	Hammel	224/241 X
1,494,505	5/1924	Ross	224/241 X

1,911,788	5/1933	Bergaud	401/60
2,004,424	6/1935	Weeks	132/304
2,258,544	10/1941	Cressaty	220/DIG. 26
2,459,733	1/1949	Macy	132/316
3,010,627	11/1961	Hoover	224/241 X
5,163,457	11/1992	Lombardi, Jr.	132/316 X

FOREIGN PATENT DOCUMENTS

548935	10/1942	United Kingdom	206/37
--------	---------	----------------	-------	--------

Primary Examiner—Ted Shooman

Assistant Examiner—C. Tuttle

[57] **CLAIM**

The ornamental design for a wrist band mounted container for lip balm, as shown and described.

DESCRIPTION

FIG. 1 is a perspective view of the wrist band mounted container for lip balm the broken line showing of the wrist band is for illustrative purposes only and forms no part of the claimed design.

FIG. 2 is a top plan view of the wrist band mounted container for lip balm illustrated in FIG. 1;

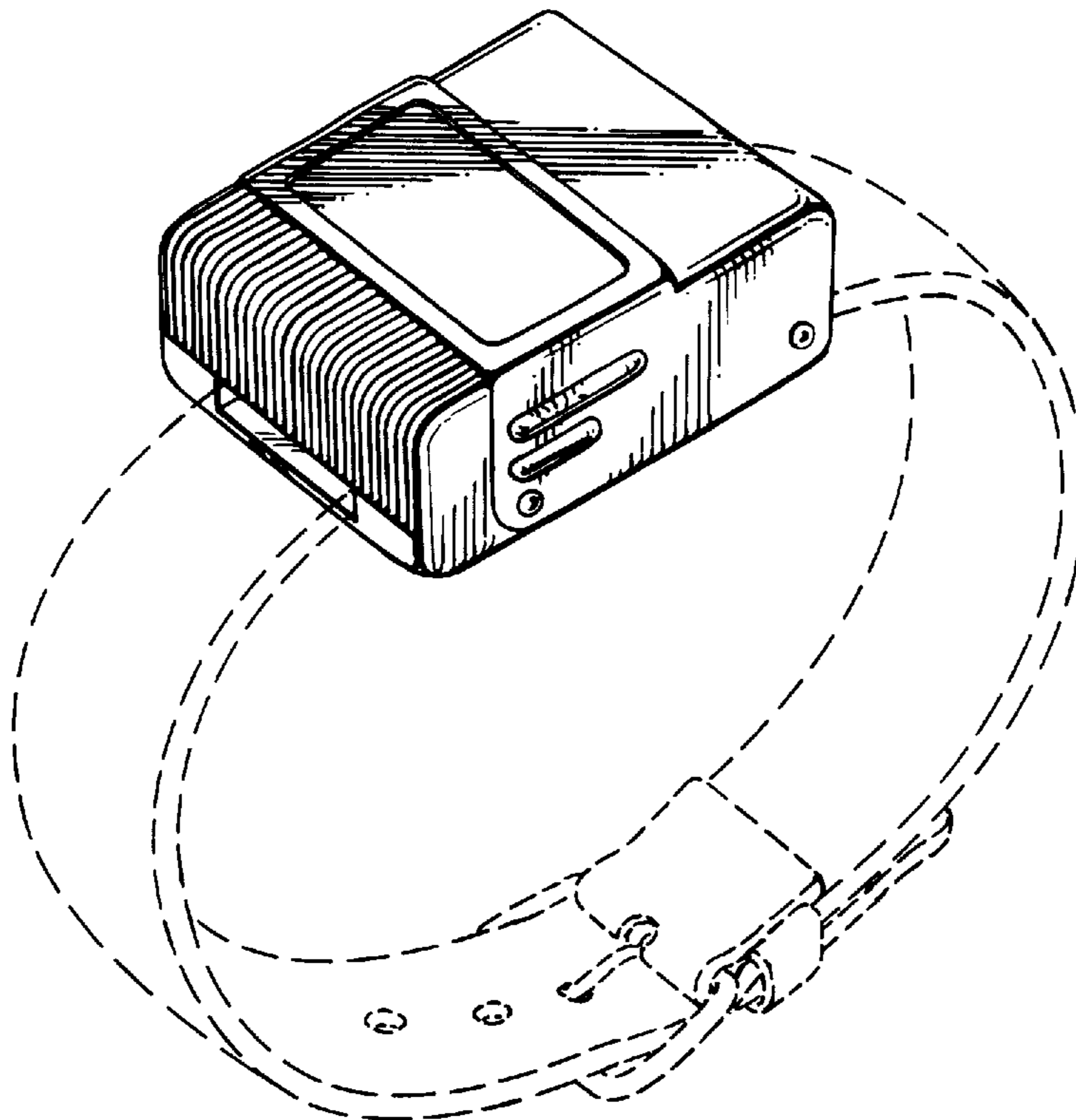
FIG. 3 is a front elevation view thereof;

FIG. 4 is a back elevation view thereof;

FIG. 5 is a bottom plan view thereof; and,

FIG. 6 is a right side elevation view thereof the left side being a mirror image of the right side.

1 Claim, 2 Drawing Sheets



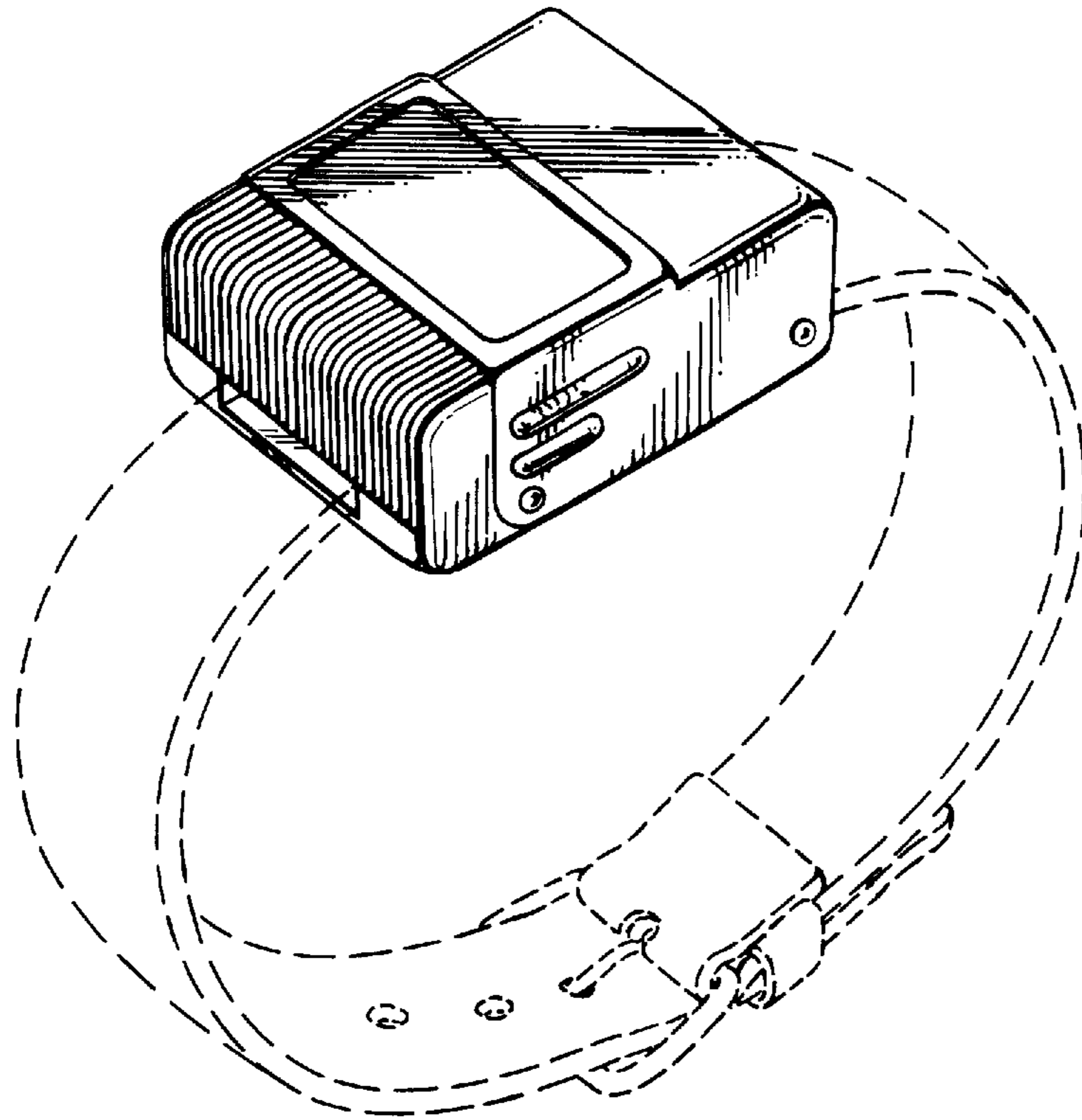


FIG. 1

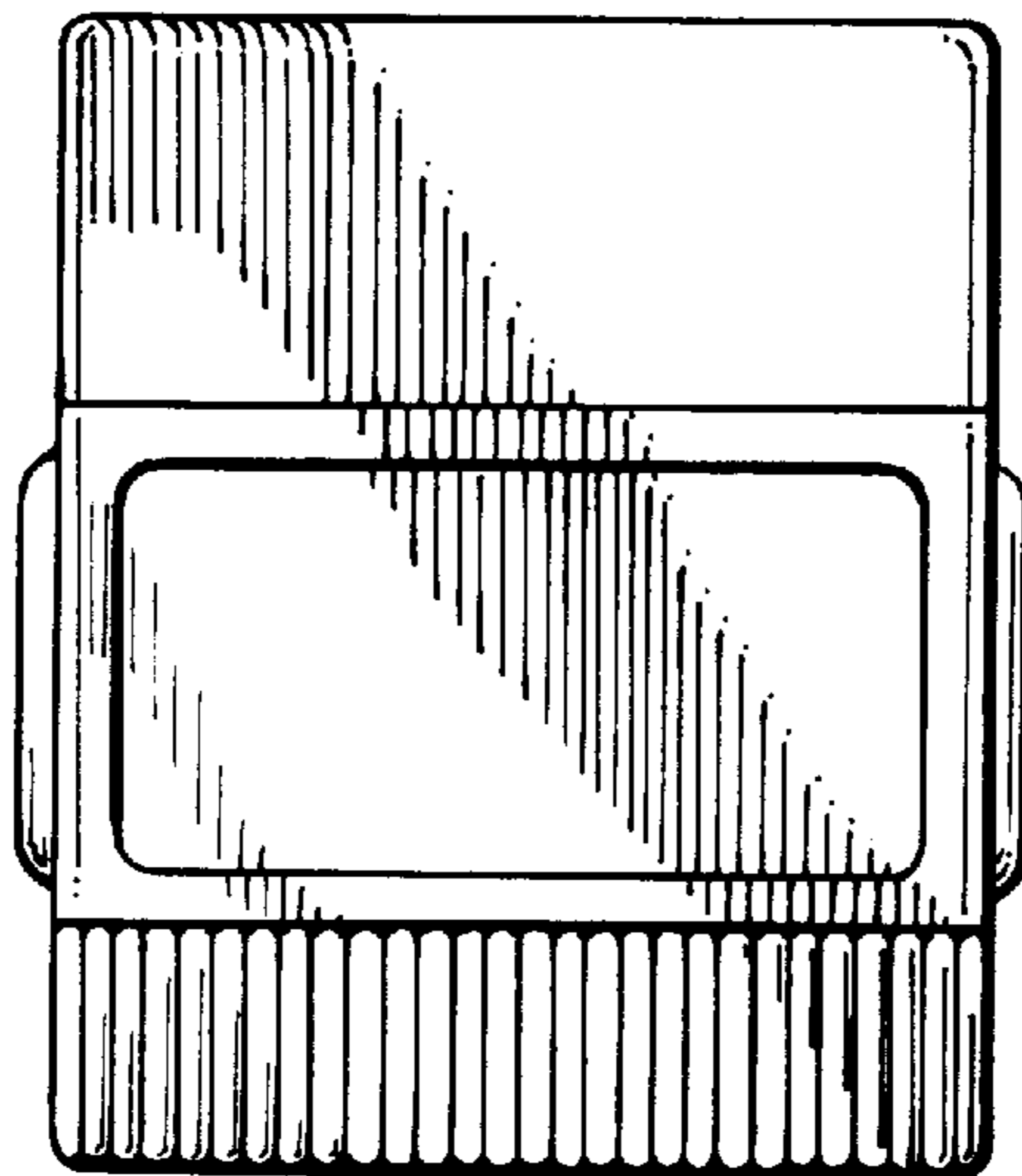


FIG. 2

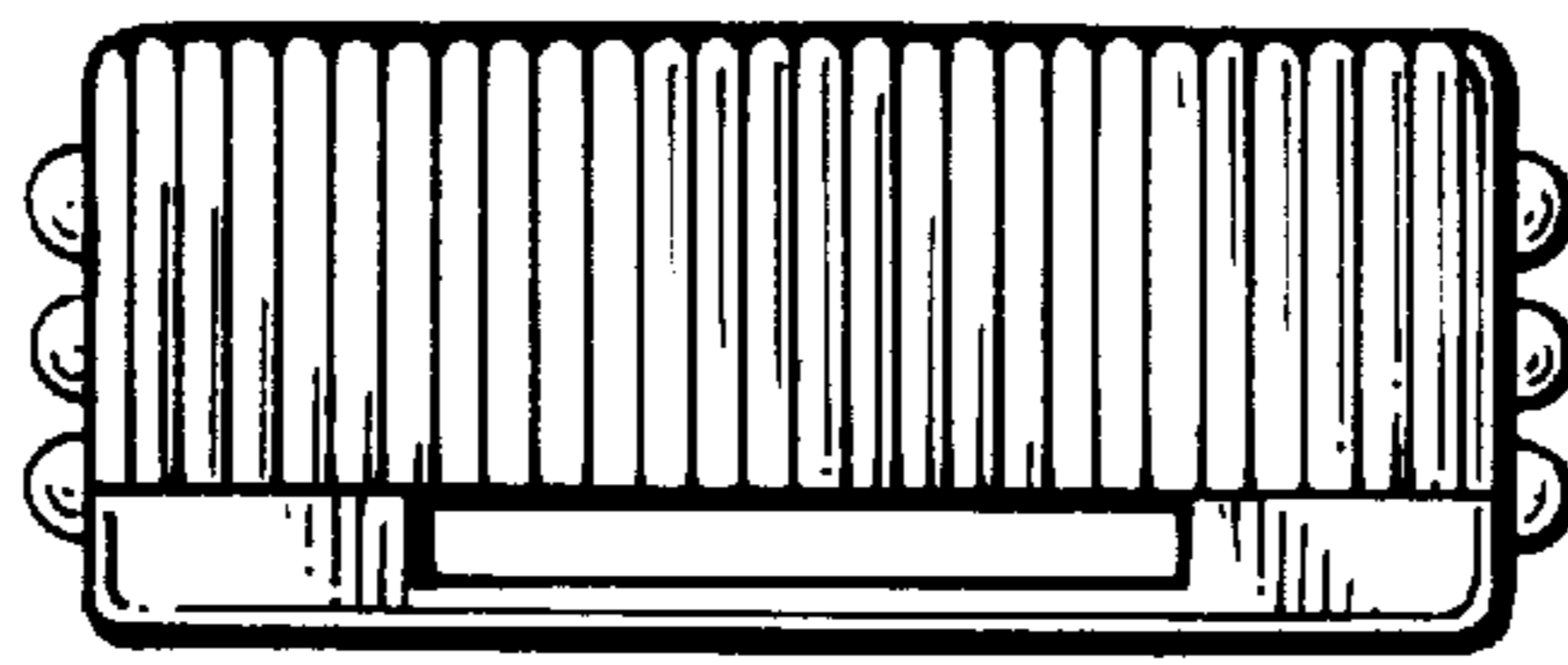


FIG. 3



FIG. 4

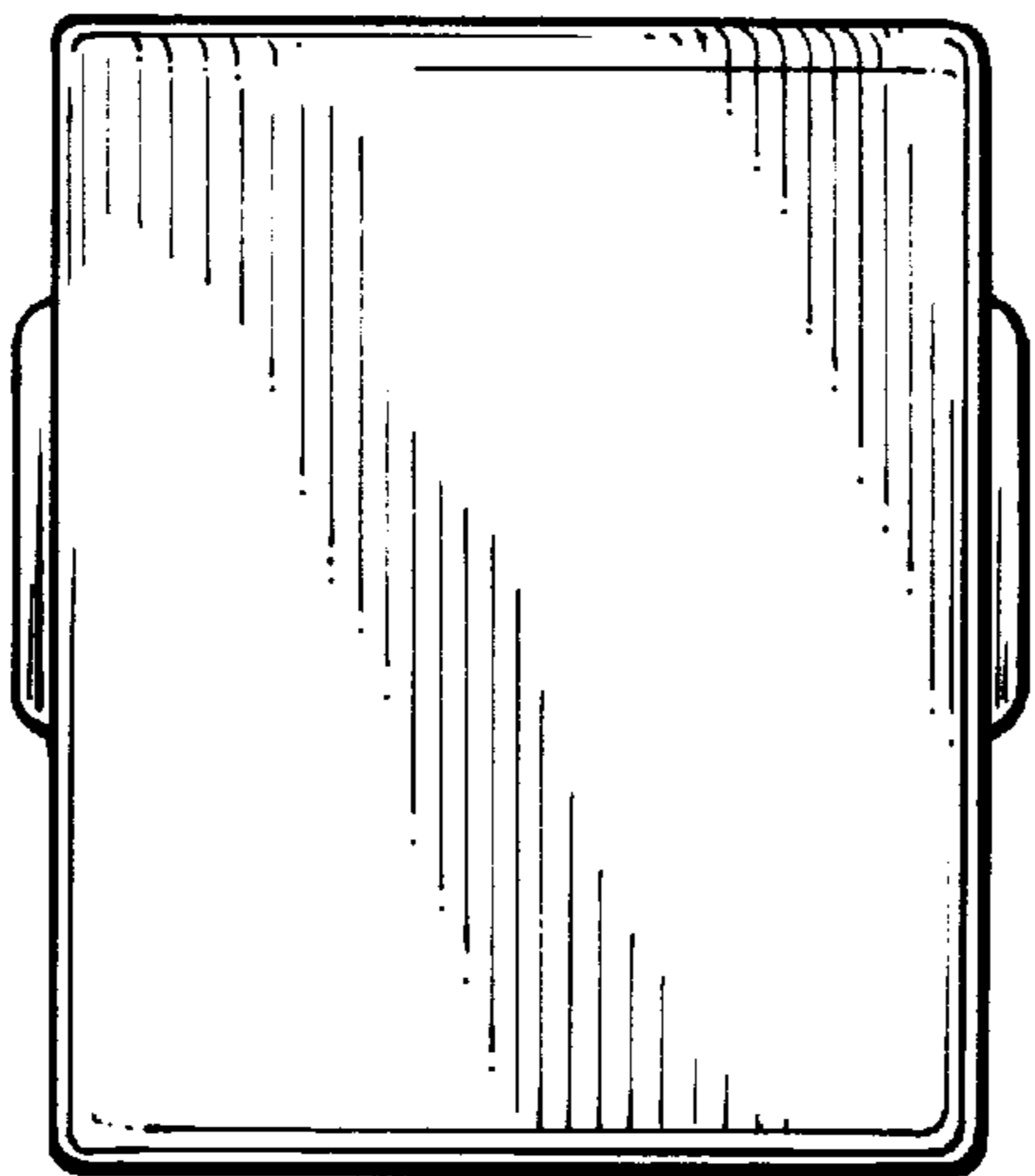


FIG. 5

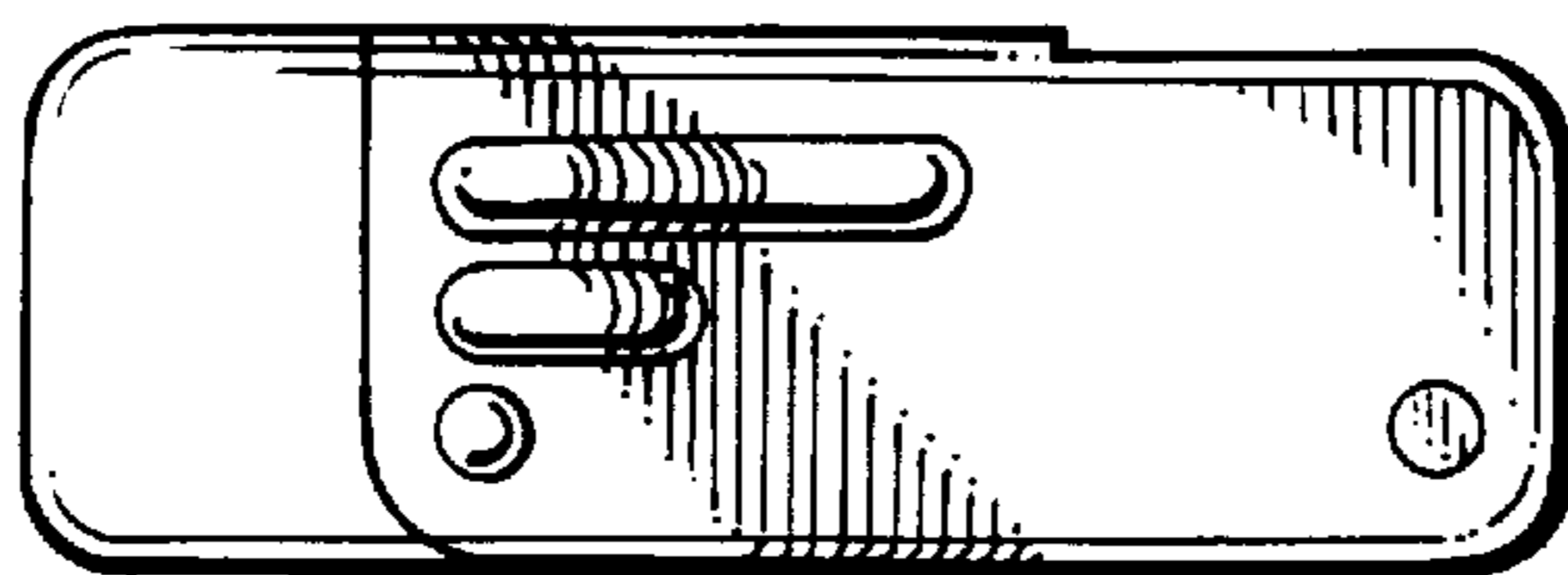


FIG. 6