



US00D399601S

# United States Patent [19]

Desnos et al.

[11] Patent Number: **Des. 399,601**

[45] Date of Patent: **\*\*Oct. 13, 1998**

[54] **APPLICATOR FOR COSMETIC DEPILATORIES**

[75] Inventors: **Anne Desnos**, Versailles, France;  
**Barbara Romano**, Milan, Italy

[73] Assignee: **Reckitt & Colman France**, Massy Cedex, France

[\*\*] Term: **14 Years**

[21] Appl. No.: **64,273**

[22] Filed: **Dec. 26, 1996**

[30] **Foreign Application Priority Data**

Jul. 4, 1996 [GB] United Kingdom ..... 2057441

[51] **LOC (6) Cl.** ..... **28-02**

[52] **U.S. Cl.** ..... **D28/7; D9/447**

[58] **Field of Search** ..... D28/7, 10, 44; D9/338, 447, 302, 435-437, 441, 448, 526; D19/66, 71; 606/134; 222/553, 575, 519, 491, 492, 494, 212, 213; 132/320, 317, 333; 401/6, 183, 186, 196, 205, 261, 263-266

[56] **References Cited**

**U.S. PATENT DOCUMENTS**

D. 203,892 2/1966 Muscatiello ..... D9/448  
D. 333,092 2/1993 Moshe ..... D9/338  
559,120 4/1896 Clark ..... 401/9 X  
651,420 6/1900 Haglock ..... 401/264

1,860,790 5/1932 Schultheiss ..... 132/74.5 X  
2,859,473 11/1958 Warren ..... 401/261 X  
3,088,470 5/1963 Hall ..... 132/320 X  
3,858,985 1/1975 Fiveash ..... 606/134 X

**FOREIGN PATENT DOCUMENTS**

1179301 5/1959 France ..... 401/264  
1185116 7/1959 France ..... 401/266  
8904796 6/1989 WIPO ..... 401/261  
WO 96/00021 1/1996 WIPO ..... 401/263

*Primary Examiner*—Ted Shooman  
*Assistant Examiner*—C. Tuttle  
*Attorney, Agent, or Firm*—Fish & Richardson P.C.

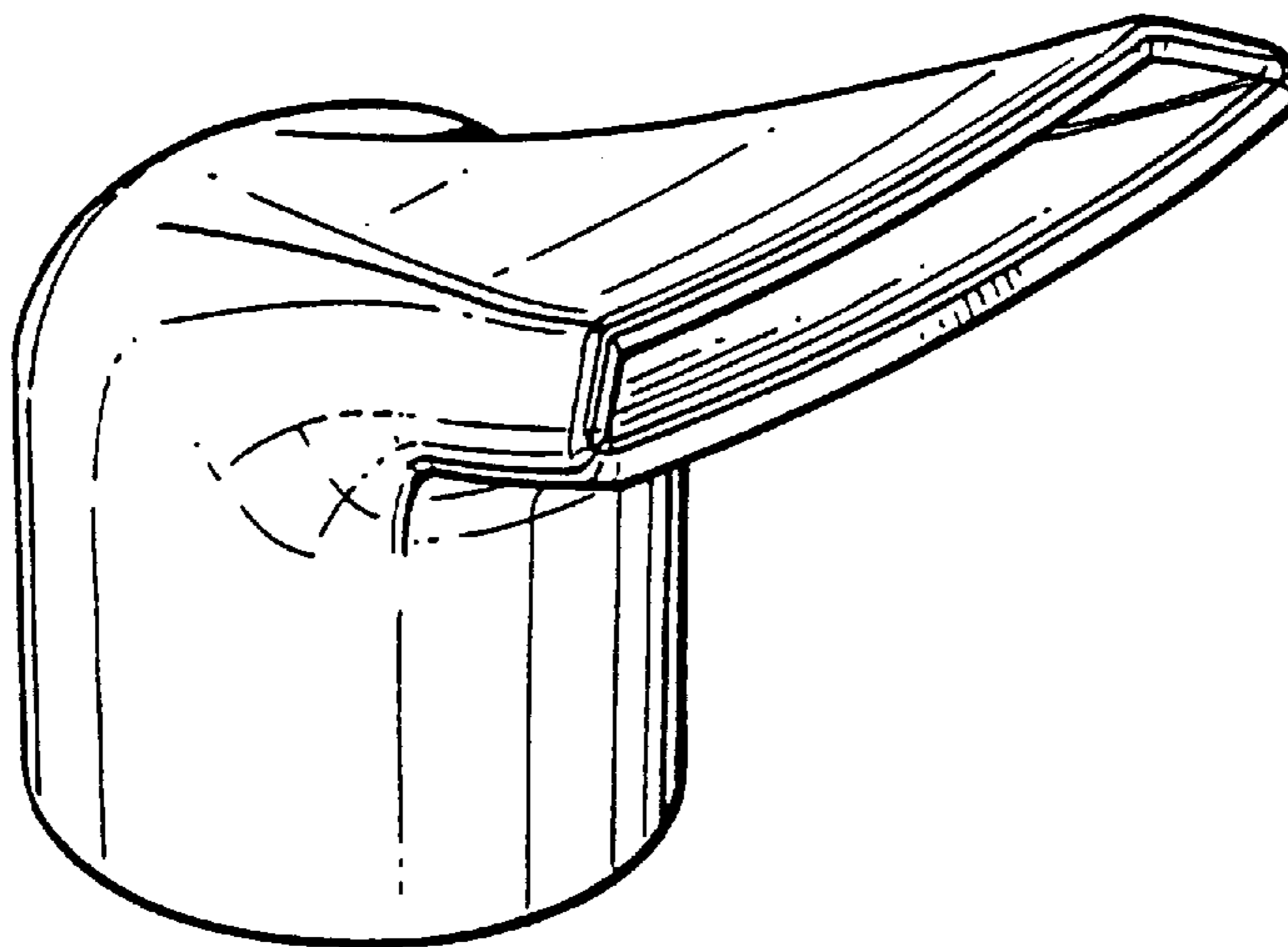
[57] **CLAIM**

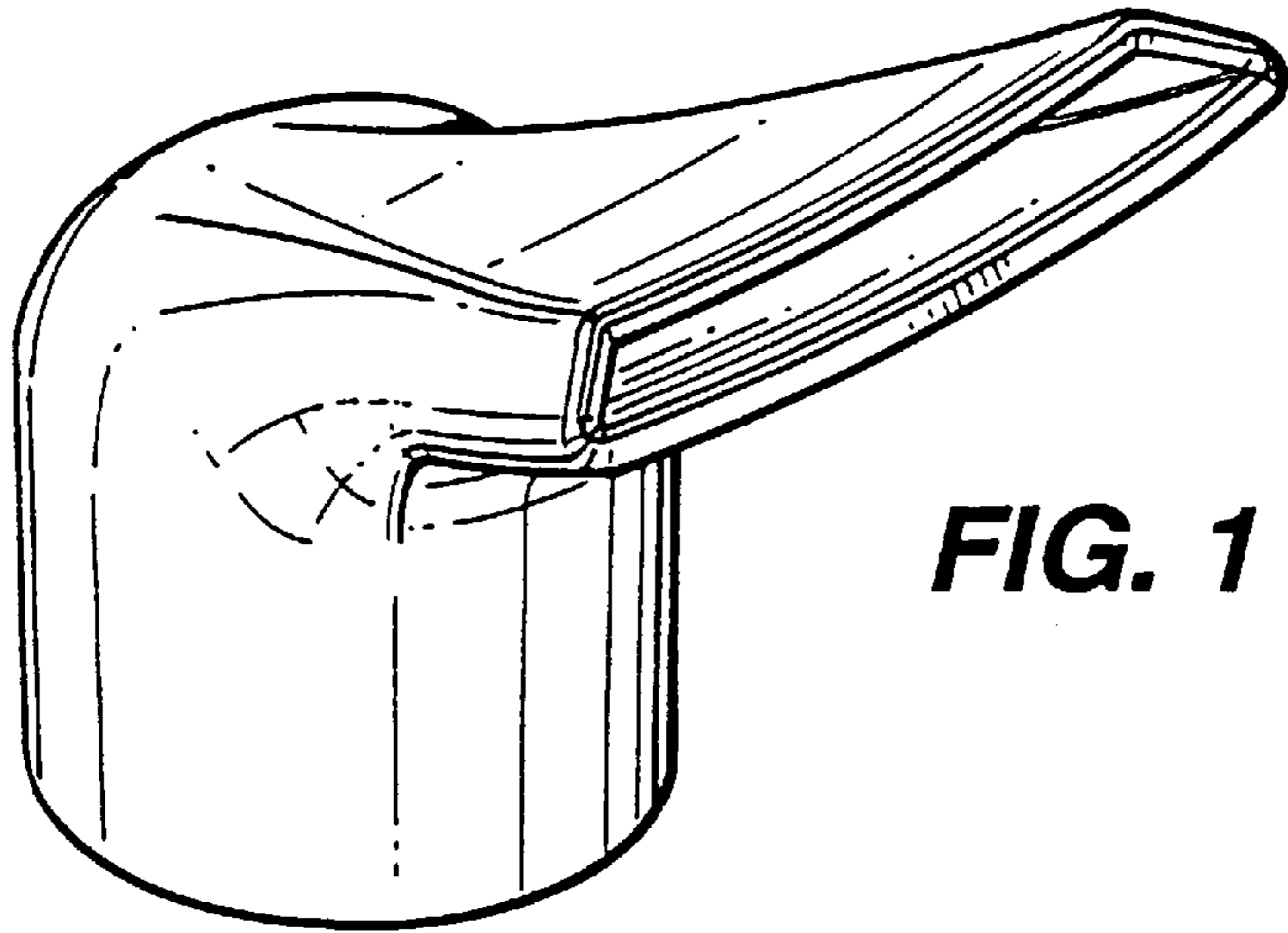
The ornamental design for an applicator for cosmetic depilatories, as shown and described.

**DESCRIPTION**

FIG. 1 is a top, front and left side perspective view of an applicator for cosmetic depilatories showing our new design;  
FIG. 2 is a top plan view thereof;  
FIG. 3 is a bottom plan view thereof;  
FIG. 4 is a left side view thereof, the right side being a mirror image;  
FIG. 5 is a rear view thereof; and,  
FIG. 6 is a sectional view thereof taken along line 6—6 of FIG. 2.

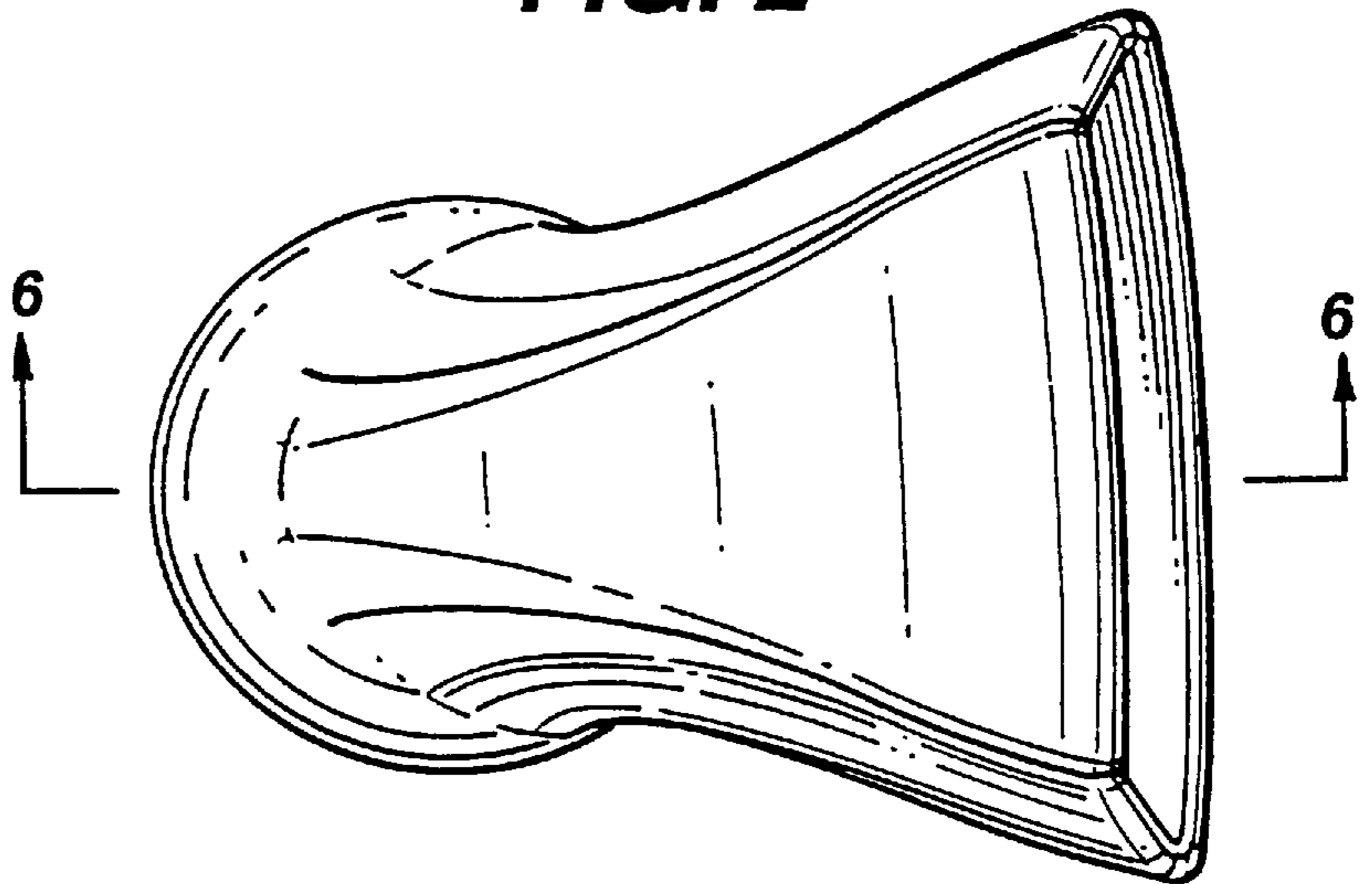
**1 Claim, 2 Drawing Sheets**



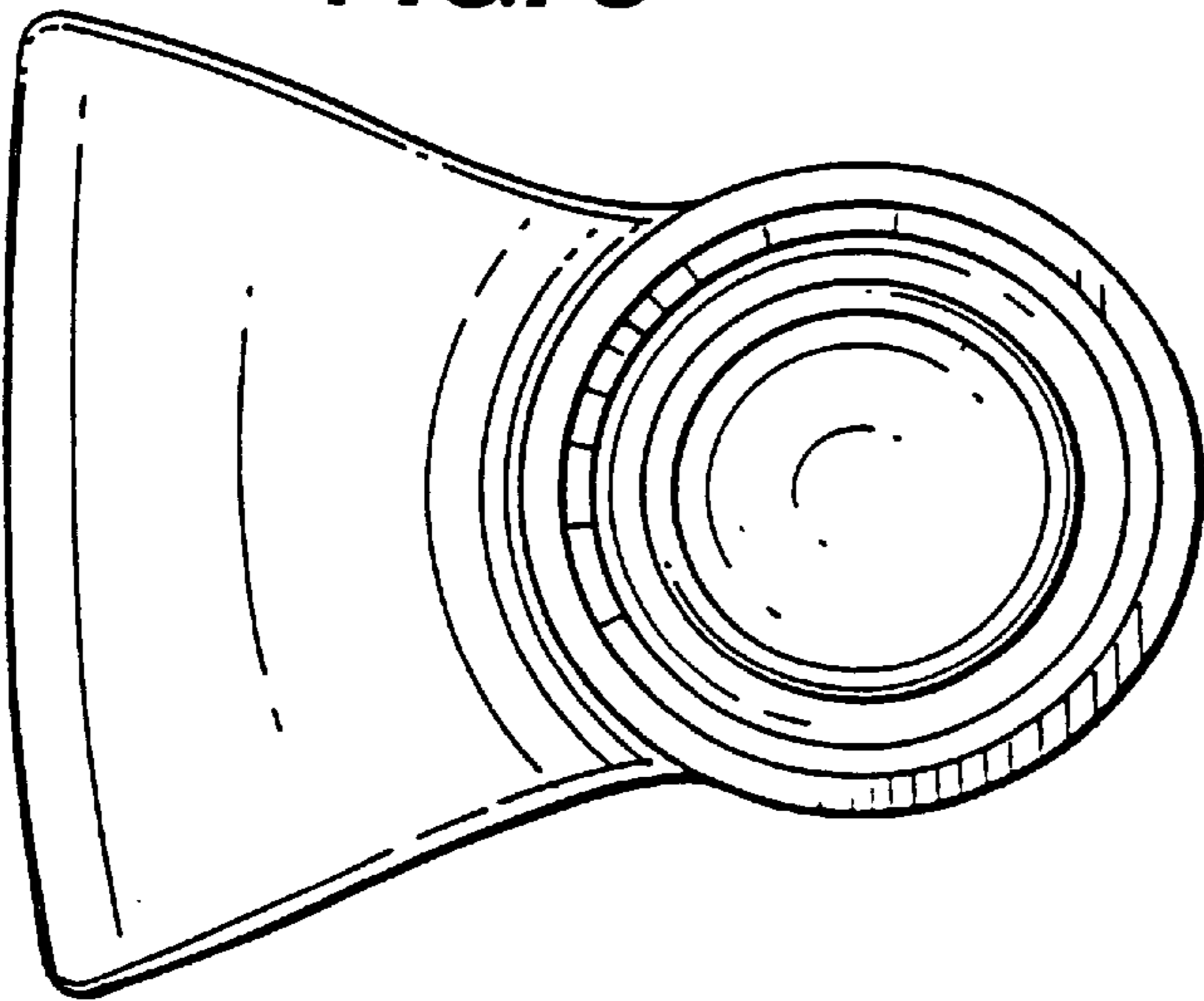


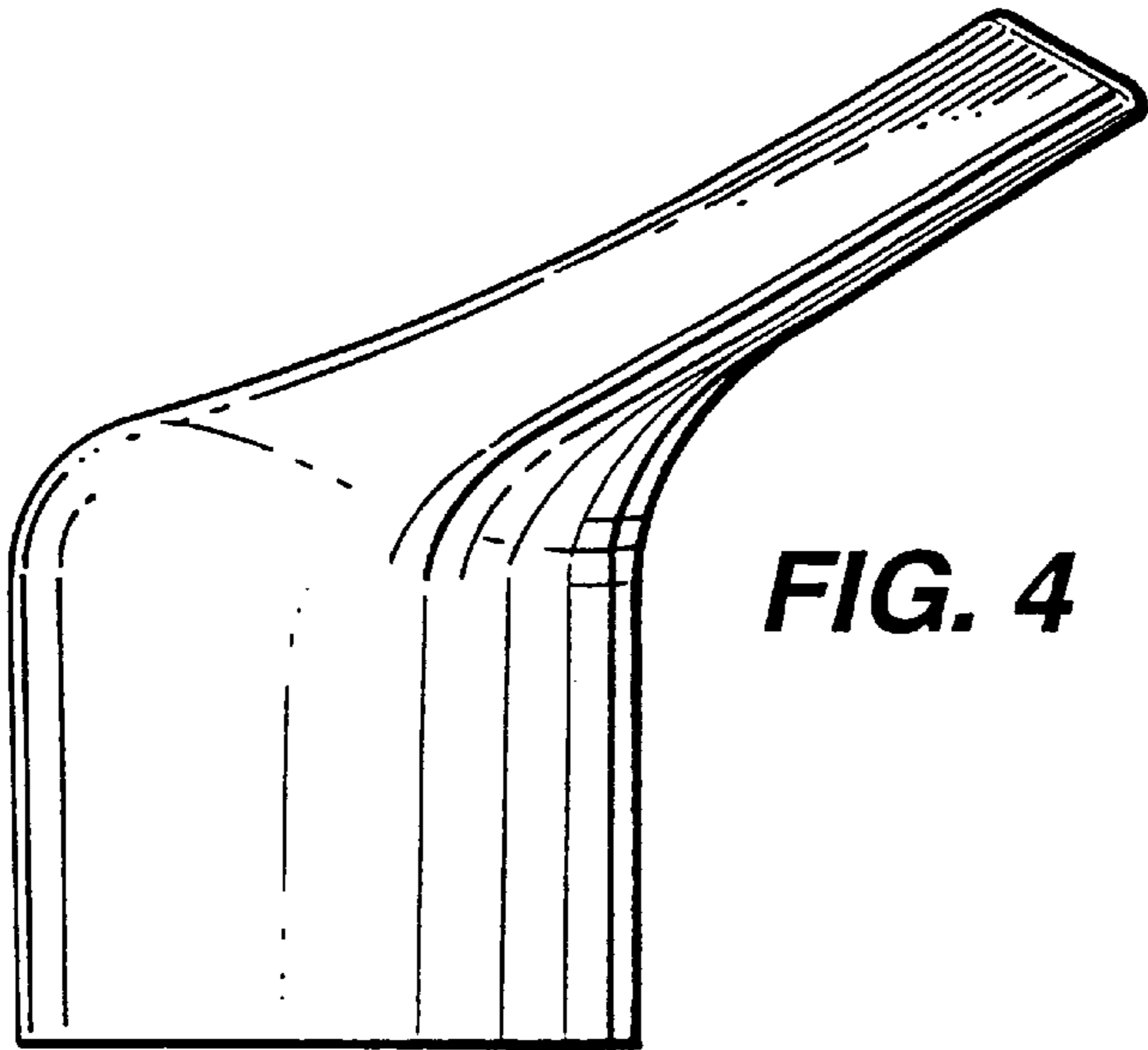
**FIG. 1**

**FIG. 2**

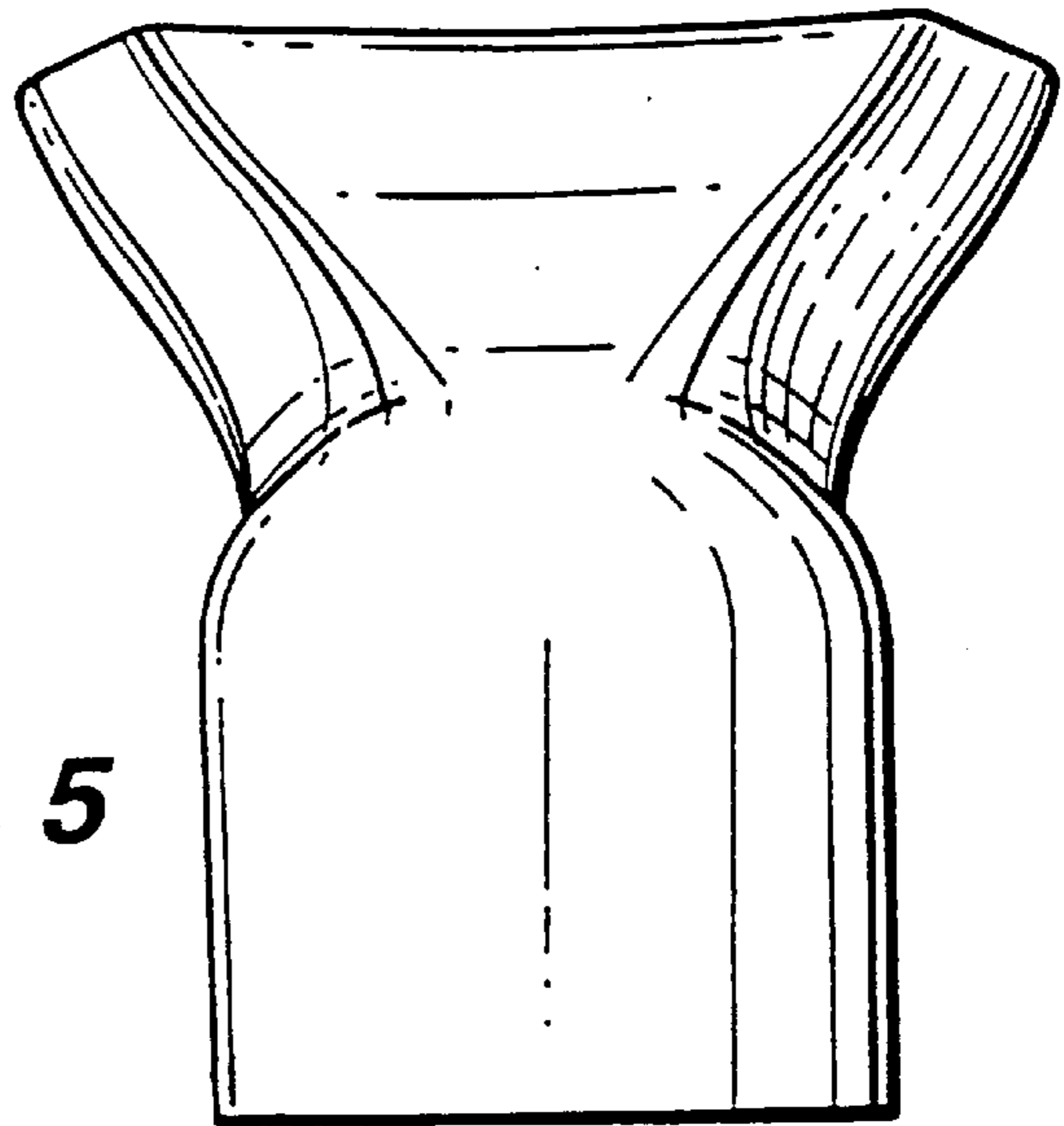


**FIG. 3**

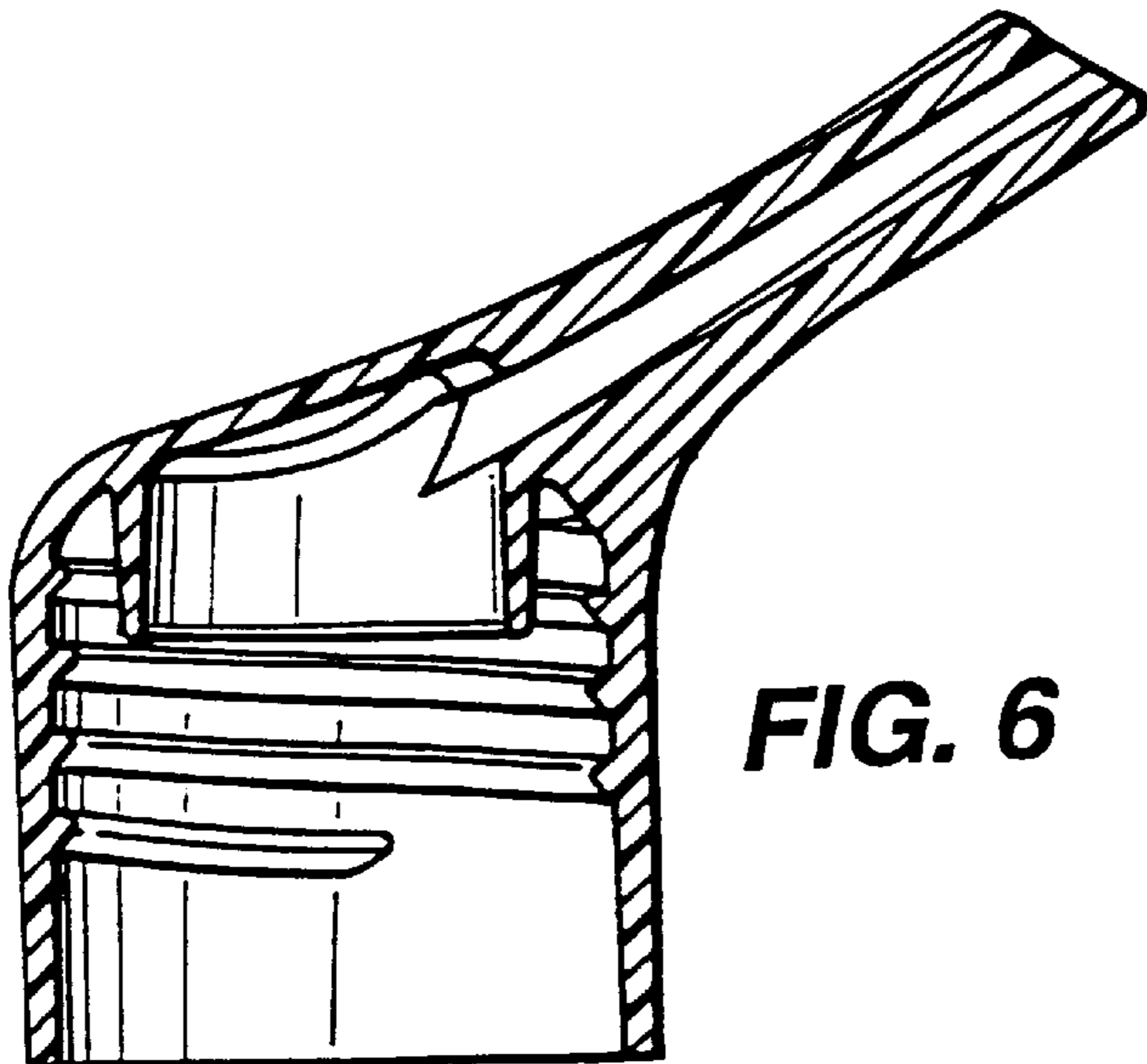




**FIG. 4**



**FIG. 5**



**FIG. 6**