



US00D399598S

United States Patent [19] Perkins

[11] **Patent Number: Des. 399,598**

[45] **Date of Patent: **Oct. 13, 1998**

[54] **TOBACCO PRODUCT CONTAINER**

D. 150,175 7/1948 Thomas D27/189

[75] Inventor: **David R. Perkins**, Manchester, Mass.

OTHER PUBLICATIONS

Humi-Tech series humidors from Artemio Cigar, Dec. 1996.

[73] Assignee: **Glass Dimensions, Inc.**, Essex, Mass.

Primary Examiner—Susan J. Lucas

[**] Term: **14 Years**

Assistant Examiner—Jennifer Rivard

[21] Appl. No.: **73,959**

Attorney, Agent, or Firm—Cesari and McKenna, LLP

[22] Filed: **Jul. 24, 1997**

[57] CLAIM

[51] **LOC (6) Cl.** **27-06**

The ornamental design for a tobacco product container, as shown and described.

[52] **U.S. Cl.** **D27/189**

DESCRIPTION

[58] **Field of Search** D27/183, 186,
D27/187, 188, 190, 191, 192, 194, 193,
189, 172; 206/213.1, 242, 256, 269, 265,
268, 261, 249; 220/326; 229/909; 312/31.1,
31.04; D3/206; 131/329, 187; D19/83,
81, 77, 85

FIG. 1 is a right front perspective view of a tobacco product container showing my new design;

FIG. 2 is a left side elevational view thereof, the right side being a mirror-image of the left side;

FIG. 3 is a rear elevational view thereof;

FIG. 4 is a top plan view thereof;

FIG. 5 is a bottom plan view thereof, and,

FIG. 6 is a left front perspective view of the container with its cover open.

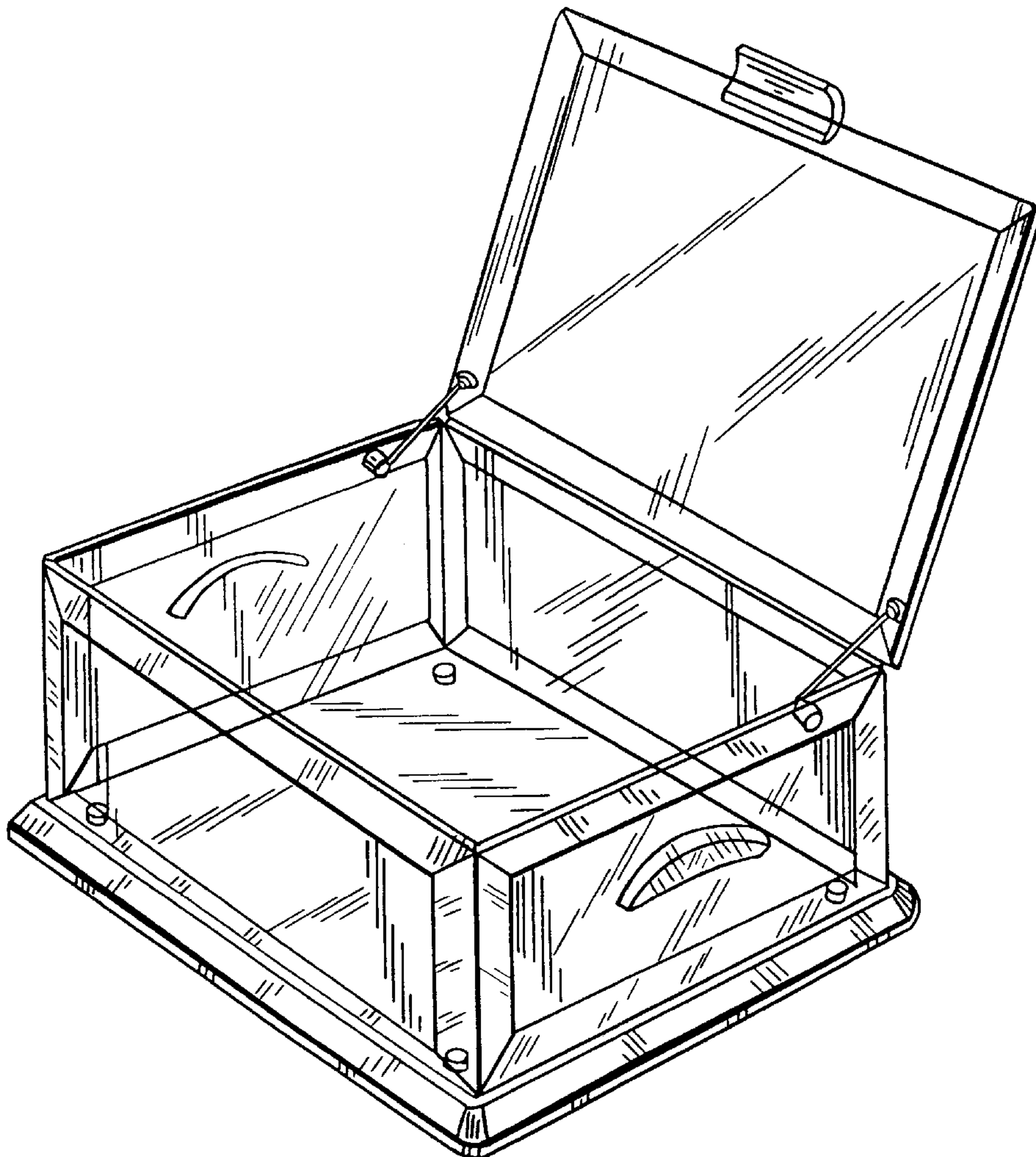
[56] References Cited

U.S. PATENT DOCUMENTS

D. 141,020 4/1945 Erger D27/184

D. 144,623 5/1946 Lewis D27/195

1 Claim, 4 Drawing Sheets



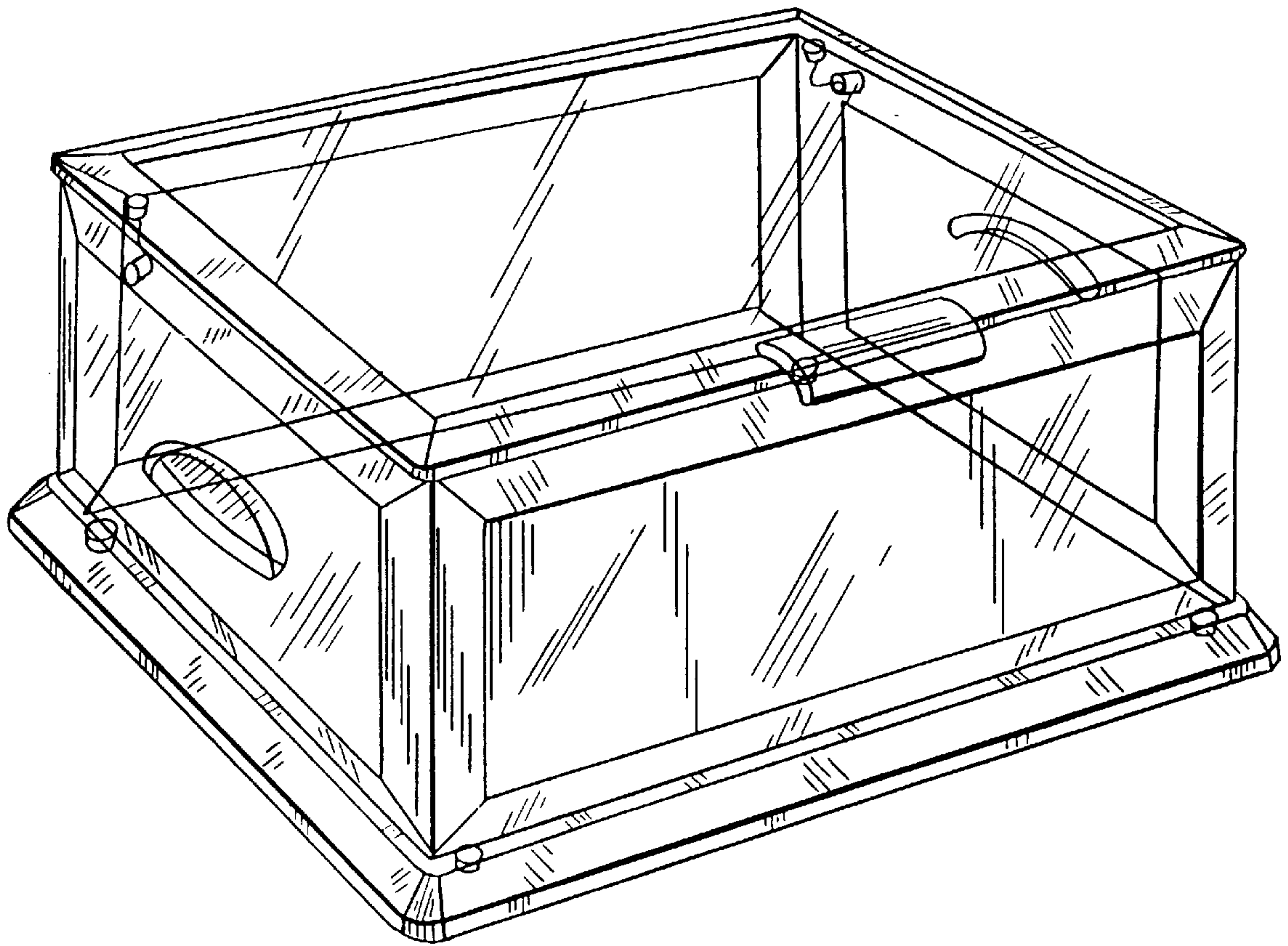


FIG. 1

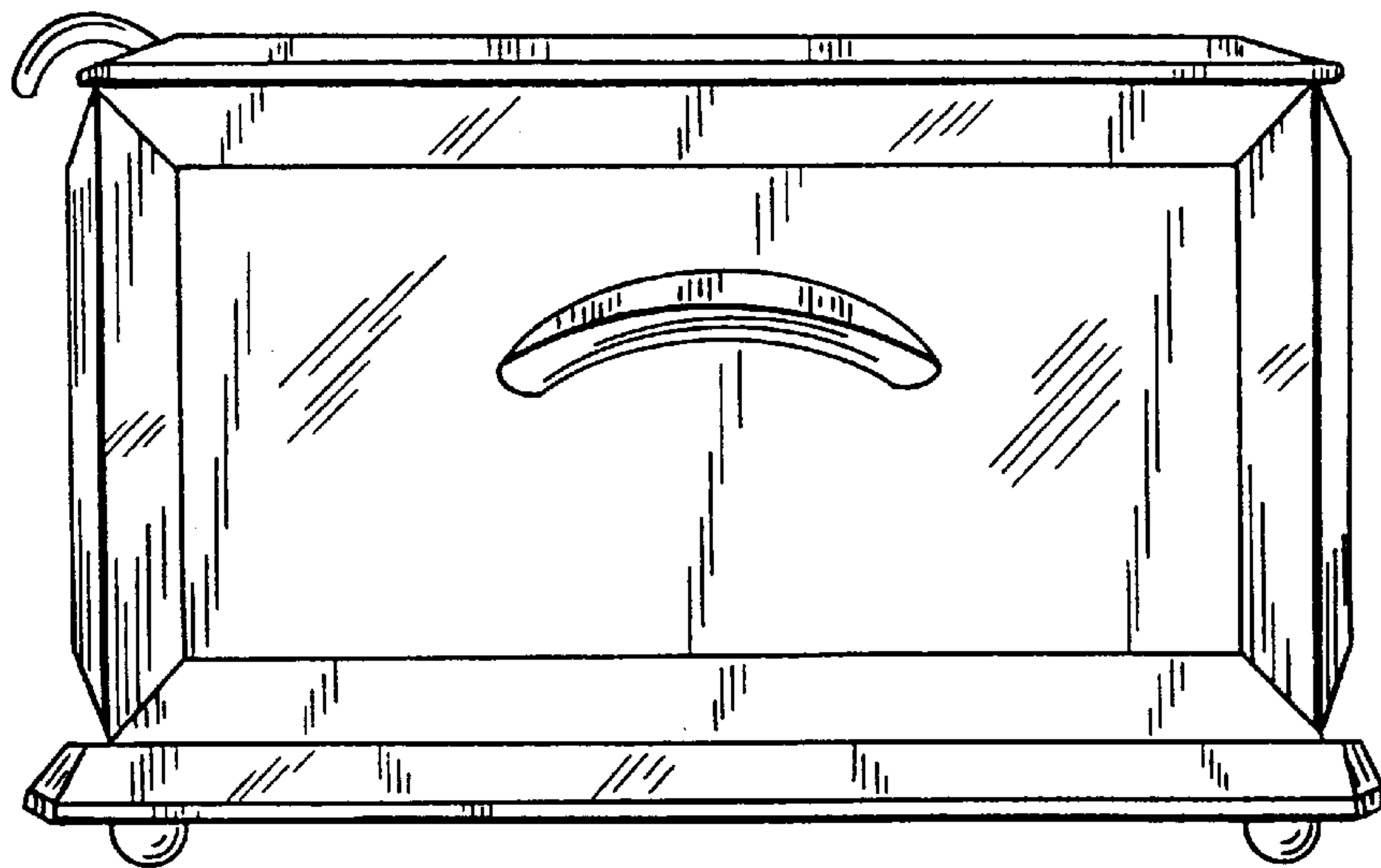


FIG. 2

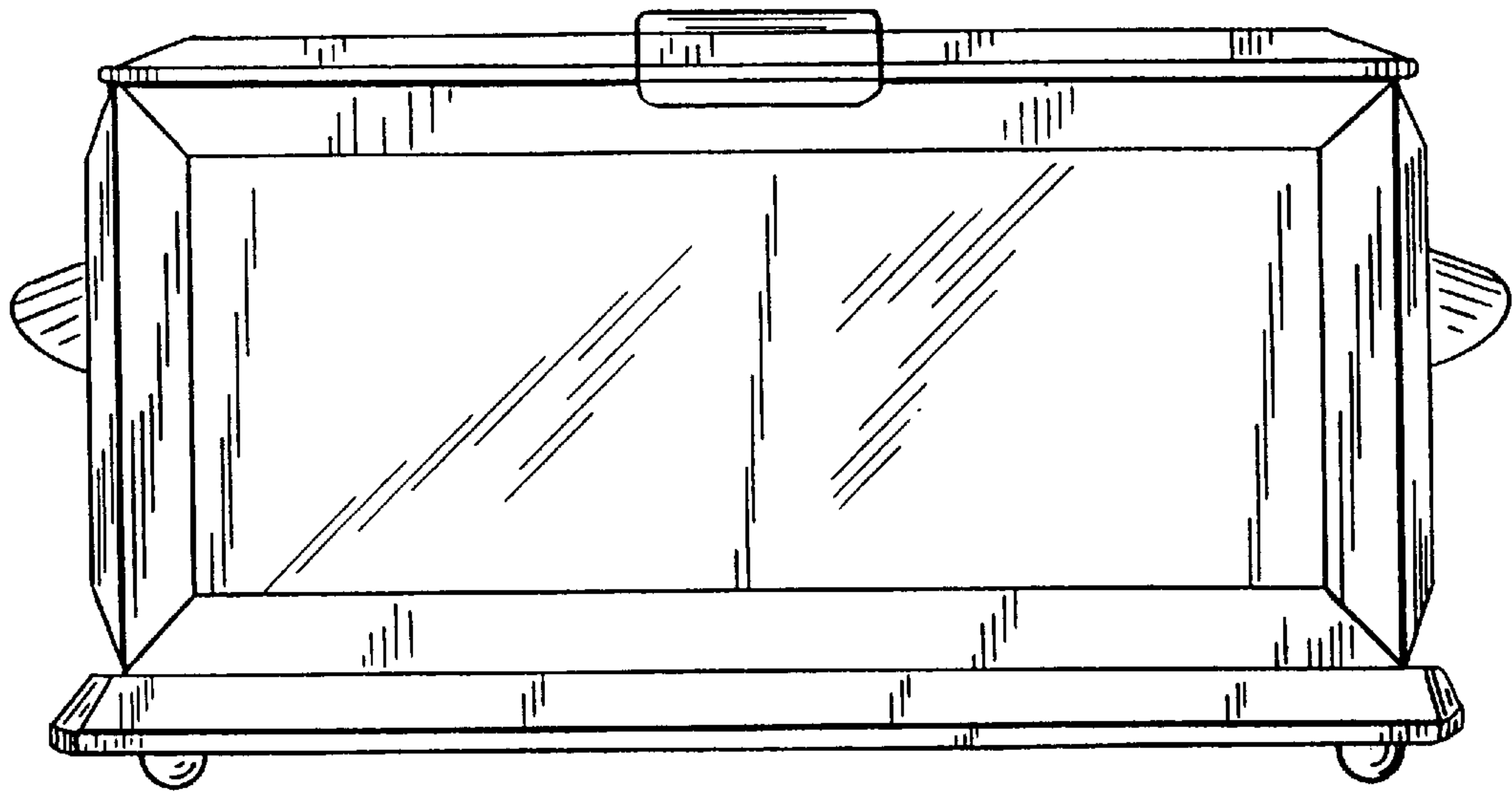


FIG. 3

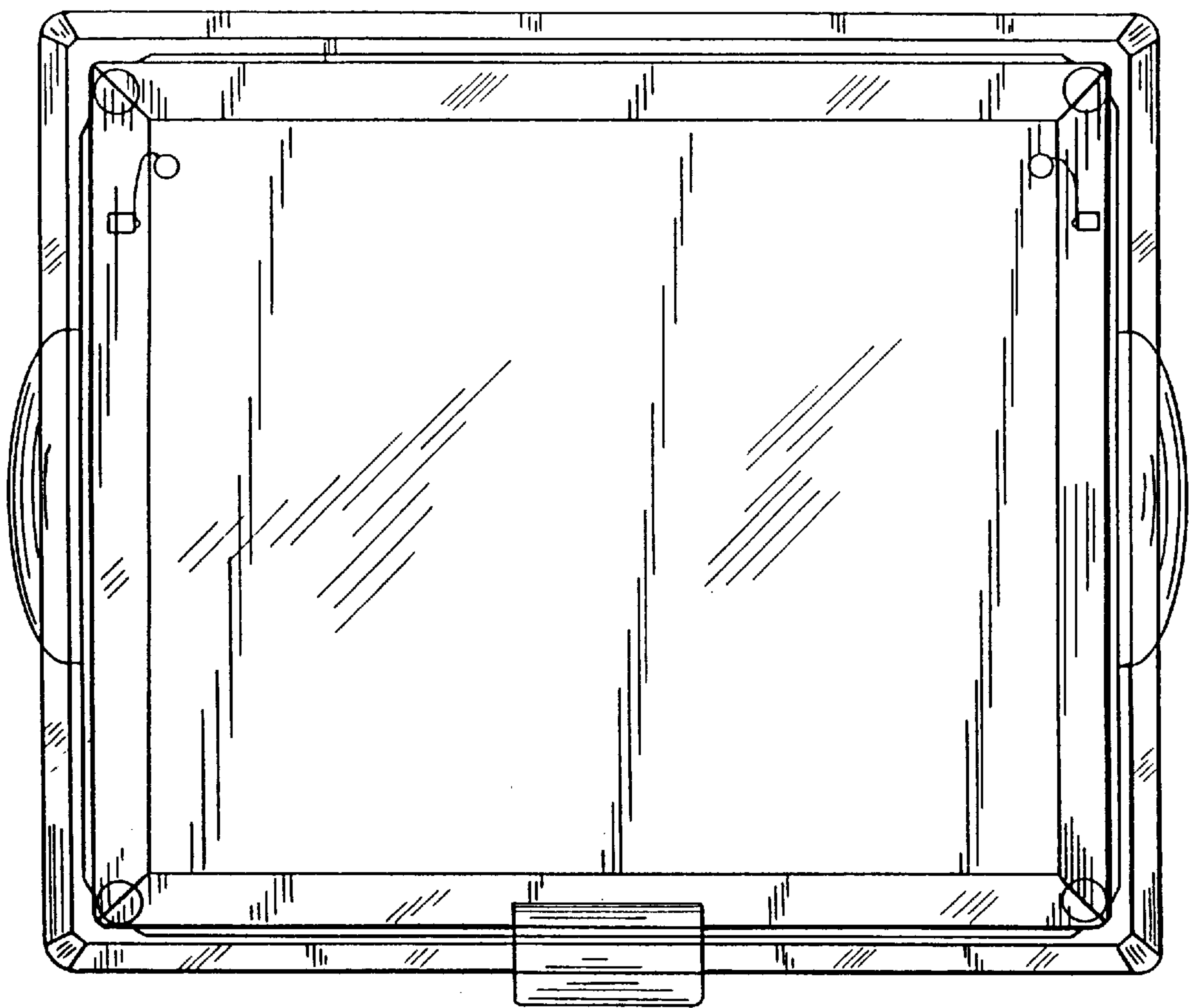


FIG. 4

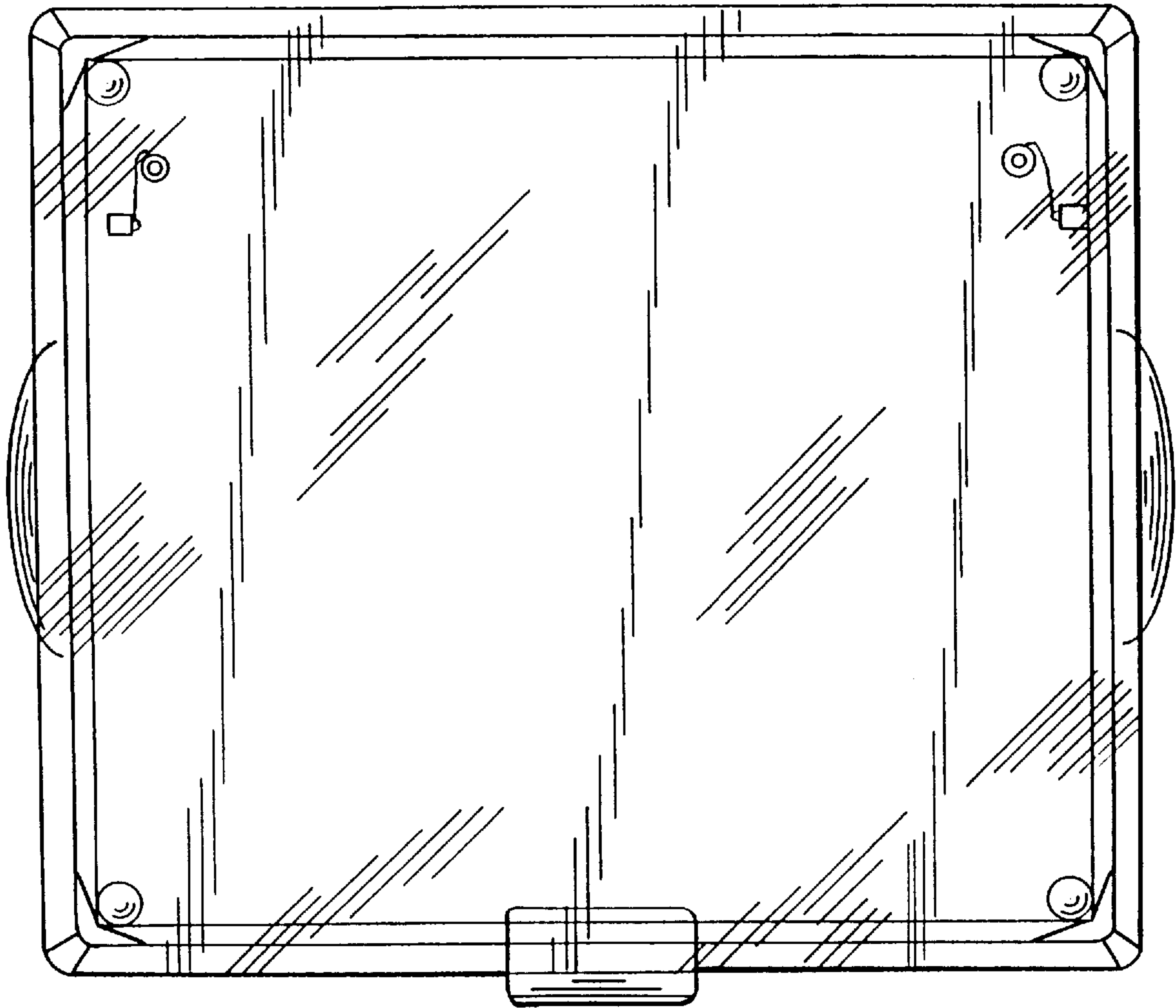


FIG. 5

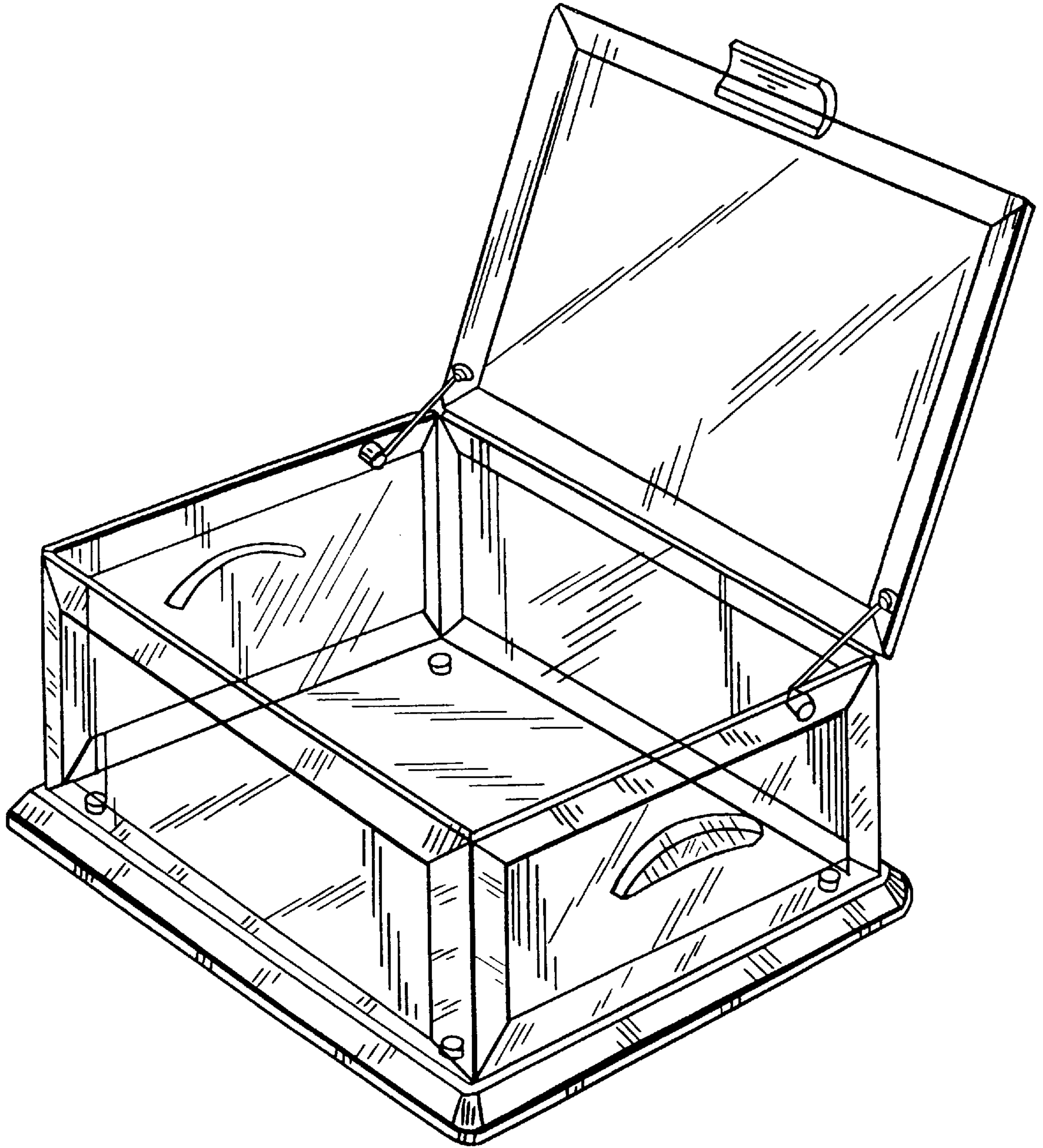


FIG. 6