



US00D399595S

# United States Patent [19]

[11] **Patent Number: Des. 399,595**

Miller et al.

[45] **Date of Patent: \*\*Oct. 13, 1998**

[54] **PORTABLE LIGHT TOWER**

[75] Inventors: **David B. Miller**, Advance; **Michael Shane Dyson**; **R. Preston Stockner**, both of Mocksville; **T. Ray Laws**, Advance; **Richard L. Ijames**; **Donald G. Smith**, both of Mocksville, all of N.C.

[73] Assignee: **Ingersoll-Rand Company**, Woodcliff Lake, N.J.

[\*\*] Term: **14 Years**

[21] Appl. No.: **65,642**

[22] Filed: **Jan. 31, 1997**

[51] **LOC (6) Cl.** ..... **26-03**

[52] **U.S. Cl.** ..... **D26/140; D34/34**

[58] **Field of Search** ..... D26/67, 68, 69, D26/70, 71, 138, 140; 362/431, 269, 275, 287, 418, 419, 427, 385, 386, 192; 52/114, 115, 121; D34/28, 33, 34

### [56] **References Cited**

#### U.S. PATENT DOCUMENTS

D. 353,911 12/1994 Gordin et al. .... D26/138  
4,087,785 5/1978 Dodich ..... 362/153.1

4,181,929 1/1980 Barber et al. .... 362/192  
4,220,981 9/1980 Koether ..... 362/431 X  
4,600,980 7/1986 Dahlgren ..... 362/419 X  
5,129,199 7/1992 Miller et al. .... 52/121  
5,524,398 6/1996 Miller et al. .... 362/418 X

### OTHER PUBLICATIONS

L6 and L8 Portable Light Towers Brochure, ©1995 by Ingersoll-Rand Company, form 2116-D (May/1995).

*Primary Examiner*—Susan J. Lucas  
*Attorney, Agent, or Firm*—Michael M. Gnibus

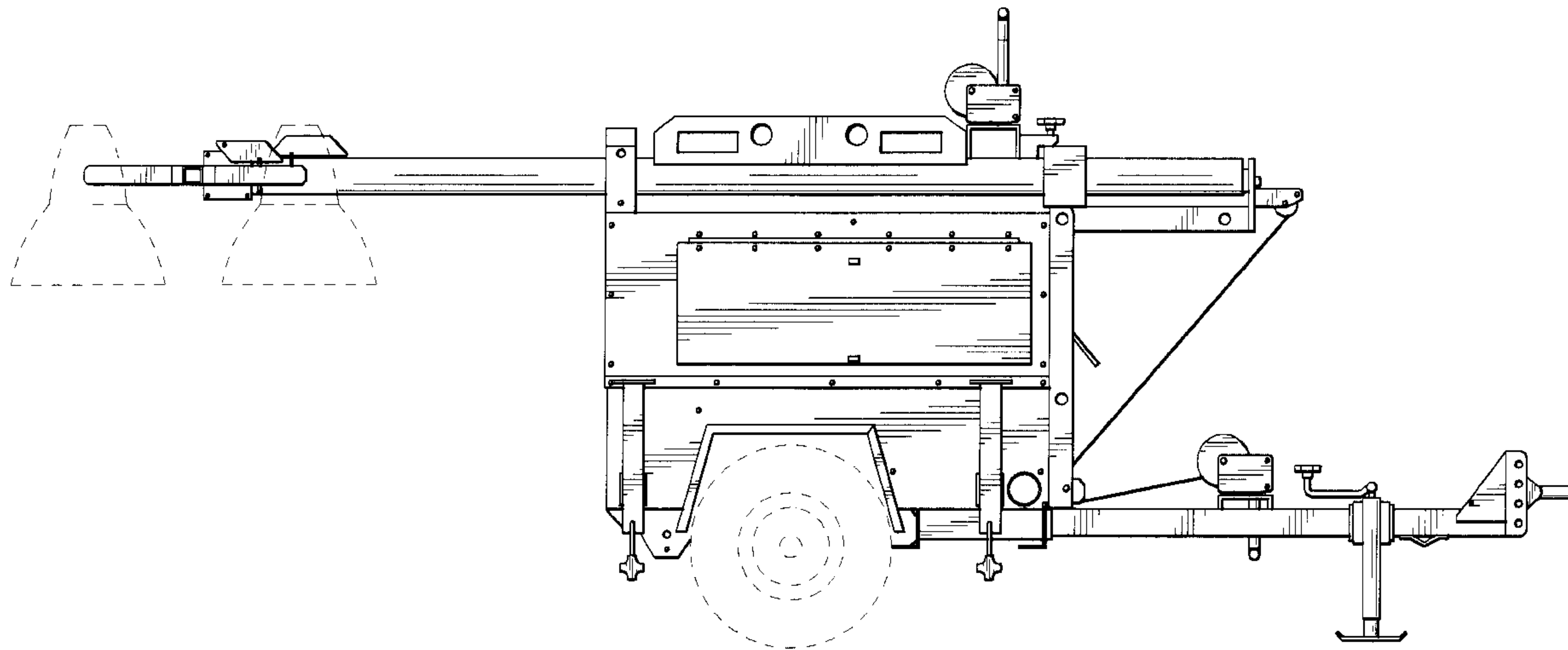
### [57] **CLAIM**

The ornamental design for a portable light tower, as shown and described.

### DESCRIPTION

FIG. 1 is a top plan view of a portable light tower showing our new design;  
FIG. 2 is a bottom plan view thereof;  
FIG. 3 is a right elevation view thereof;  
FIG. 4 is a left elevation view thereof;  
FIG. 5 is a front elevation view thereof; and,  
FIG. 6 is a rear elevation view thereof.  
The broken line showing of elements are for illustrative purposes only and form no part of the claimed invention.

**1 Claim, 4 Drawing Sheets**



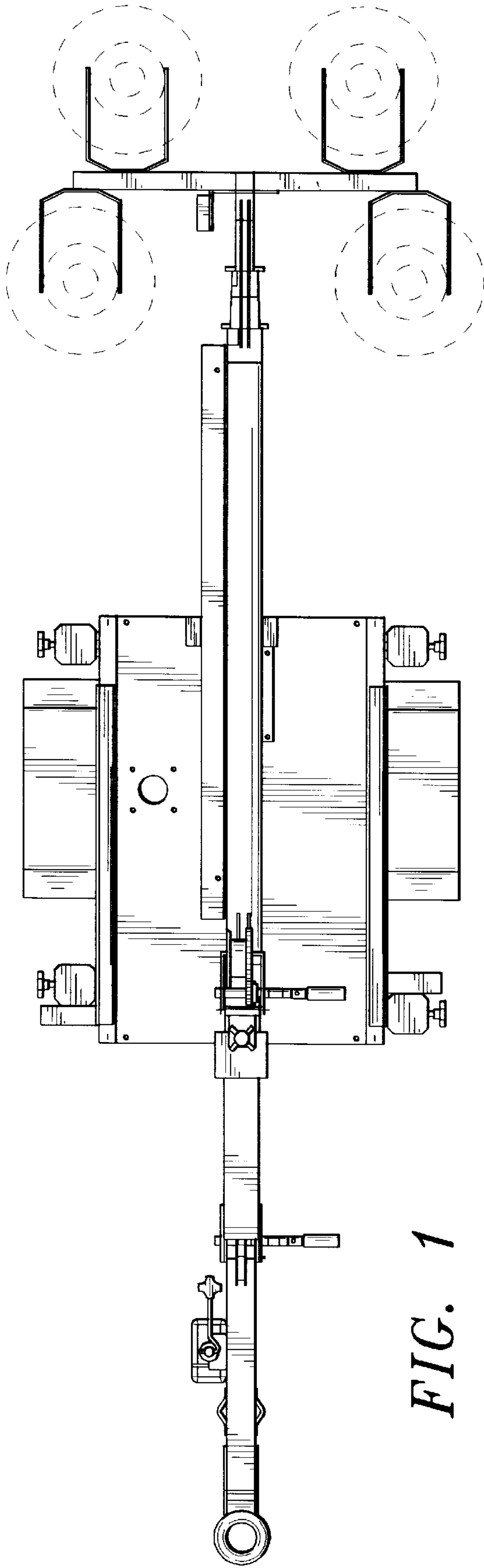


FIG. 1

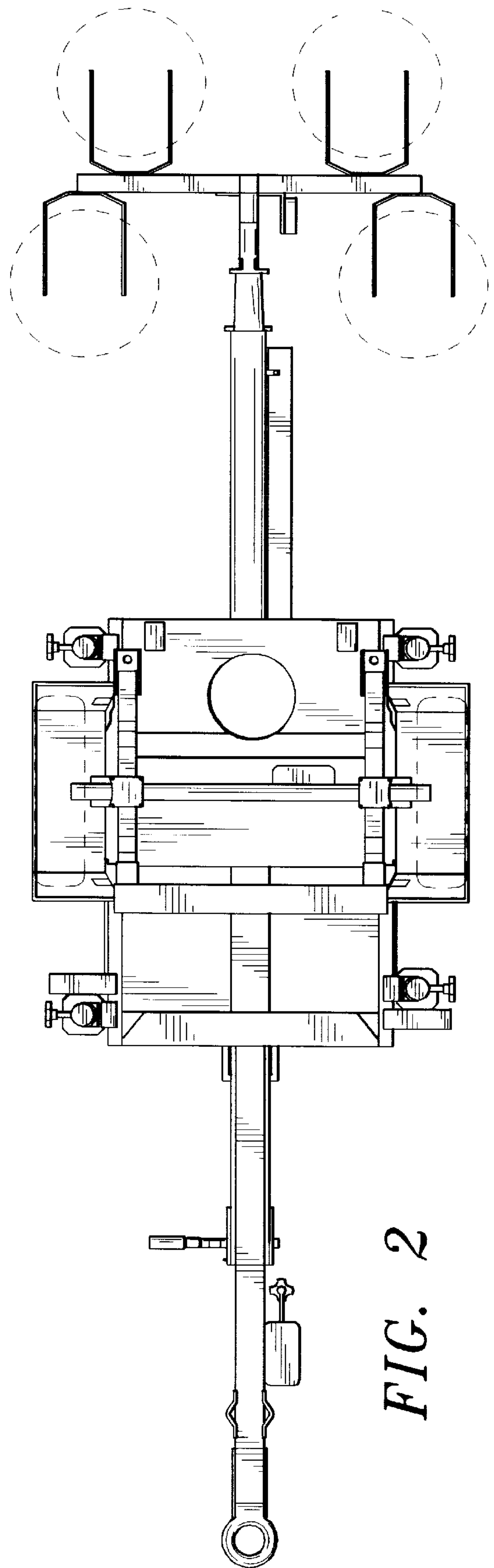


FIG. 2

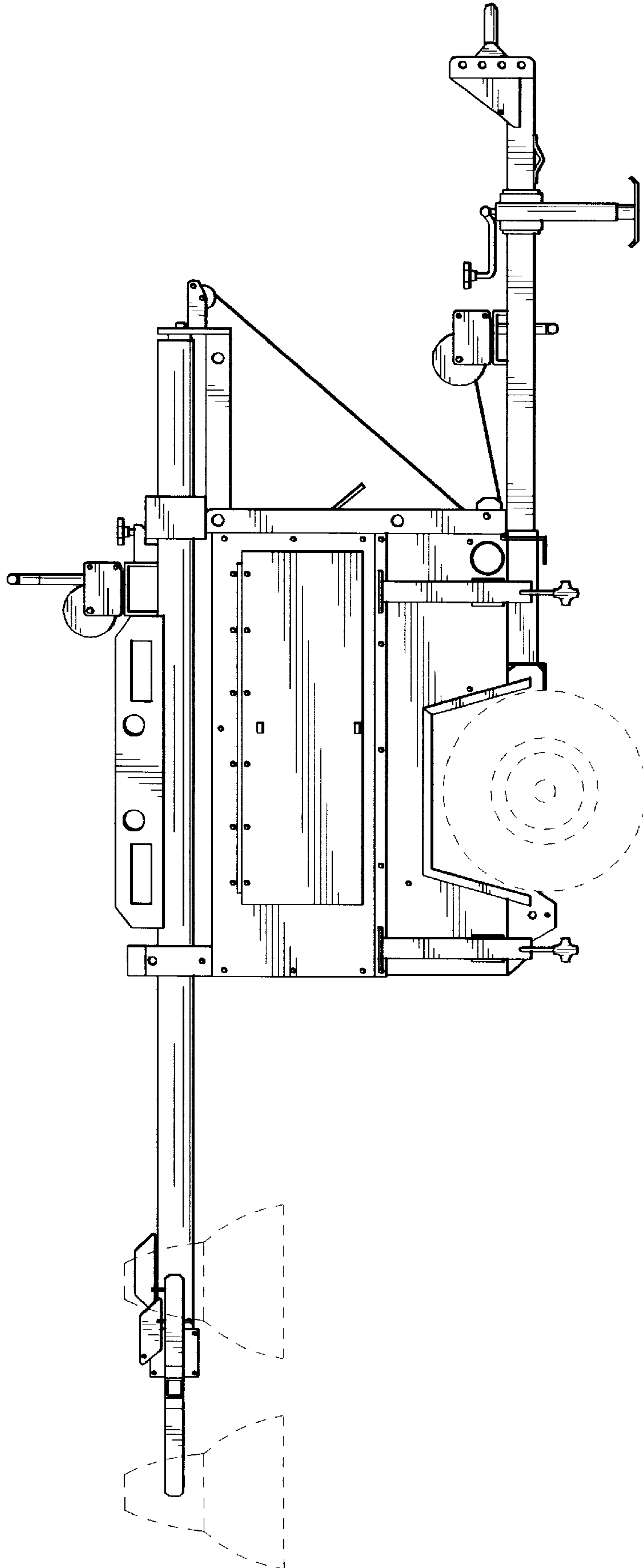


FIG. 3

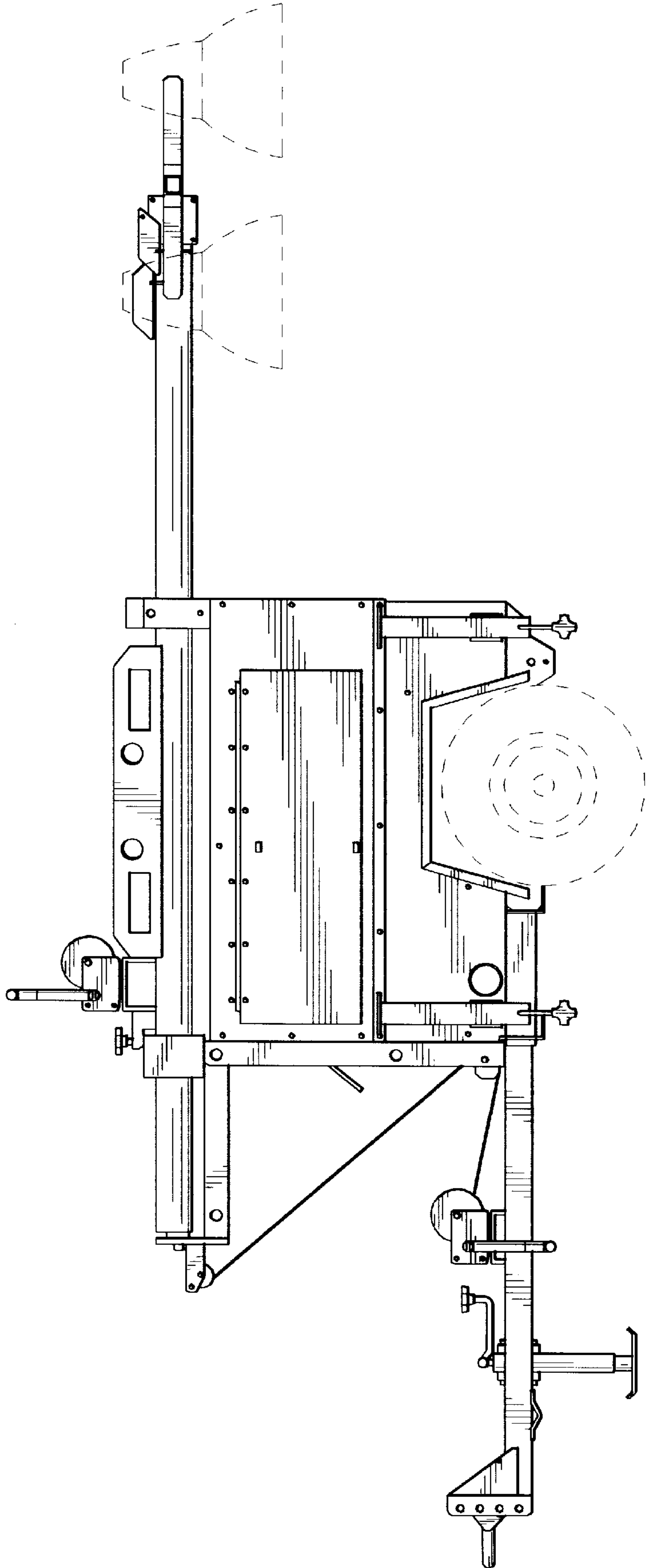


FIG. 4

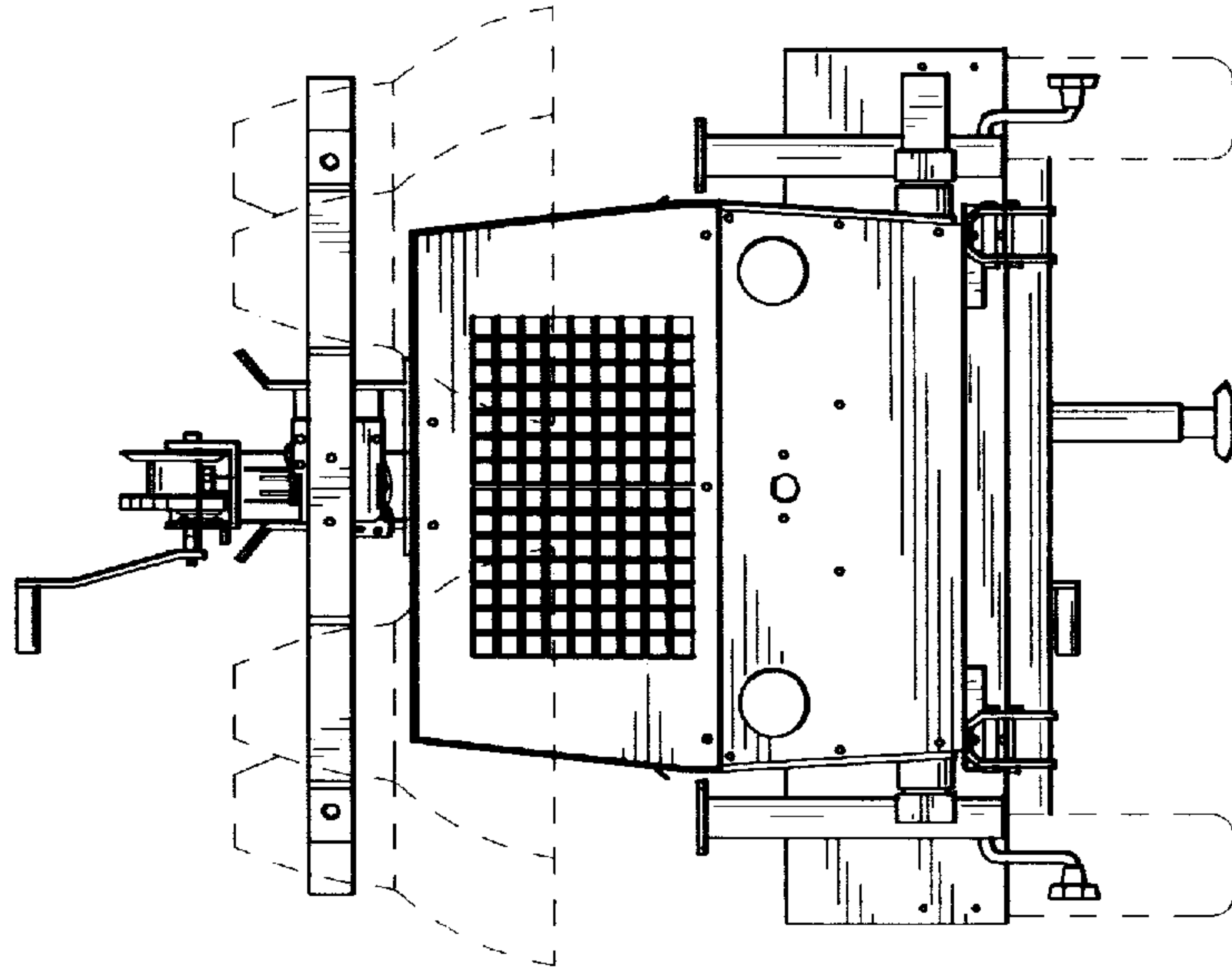


FIG. 6

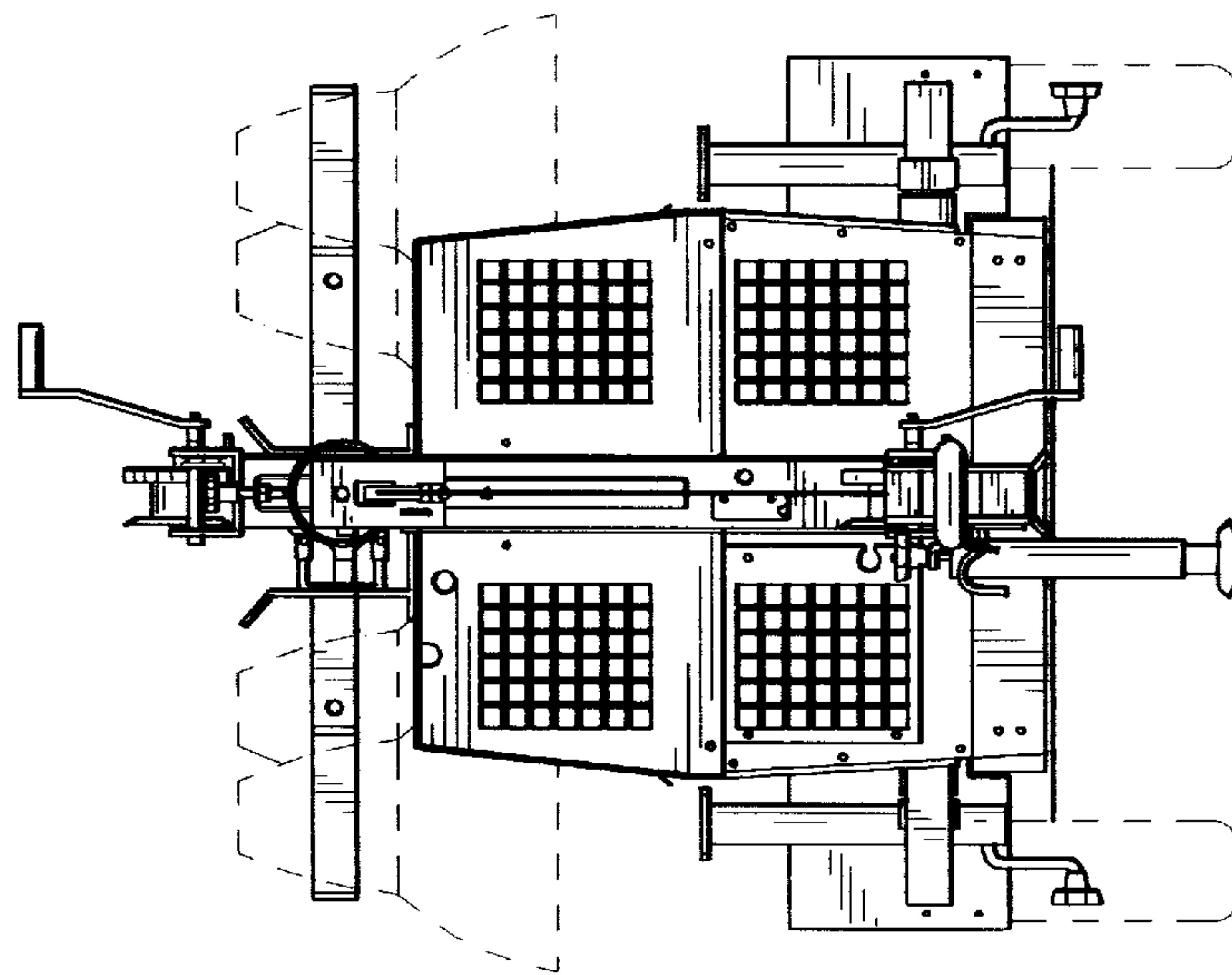


FIG. 5