



US00D399594S

# United States Patent [19] Patik

[11] **Patent Number: Des. 399,594**

[45] **Date of Patent: \*\*Oct. 13, 1998**

[54] **EXTRUDED TRACK LIGHTING SYSTEM**

[75] Inventor: **Thomas G. Patik**, San Dimas, Calif.

[73] Assignee: **ACI The Display People**, Covina, Calif.

[\*\*] Term: **14 Years**

[21] Appl. No.: **61,952**

[22] Filed: **Nov. 4, 1996**

[51] **LOC (6) Cl. .... 26-99**

[52] **U.S. Cl. .... D26/138; D13/155; D26/63; D26/140**

[58] **Field of Search .... D26/60-66, 138, D26/140; 362/147, 269, 275, 287, 418, 419, 427, 404, 250, 226; 439/110-122; D13/155**

[56] **References Cited**

**U.S. PATENT DOCUMENTS**

D. 190,248	5/1961	Warywoda .....	D26/65
D. 358,803	5/1995	Shen .	
D. 361,153	8/1995	Fernandes .	
4,655,520	4/1987	Cummings .	
4,861,273	8/1989	Wenman et al. .	
4,979,081	12/1990	Leach et al. .	
5,151,037	9/1992	Range et al. .	
5,151,038	9/1992	Range et al. .	
5,154,509	10/1992	Wulfman et al. .	
5,207,589	5/1993	Lettenmayer .	
5,340,322	8/1994	Poulsen .	
5,341,276	8/1994	Shen .	
5,584,576	12/1996	Hong .....	362/404 X

**FOREIGN PATENT DOCUMENTS**

3120267	12/1982	Germany .	
3744482	6/1989	Germany .	
2256039	11/1992	United Kingdom .....	362/404

**OTHER PUBLICATIONS**

Home Lighting and Accessories, p. 18, Tech Lighting cable attached spotlight, Sep. 1994.

“The Galaxis System, the low voltage contact rail lighting system from Betec”, Translite Systems brochure, 1992.

National Specialty Lighting, Architectural and Decorative Lighting, 1995, Front page and pp. 22 and 23.

Bruck Lighting USA brochure, front page and pp. 3, 6, 20 and back cover. Prior to Nov. 1996.

*Primary Examiner*—Susan J. Lucas  
*Attorney, Agent, or Firm*—Knobbe, Martens, Olson & Bear LLP

[57] **CLAIM**

The ornamental design for an extruded track lighting system, as shown and described.

**DESCRIPTION**

FIG. 1 is a perspective view of an extruded track lighting system, comprising a lighting bracket and extruded track, showing my new design;

FIG. 2 is a front elevational view of the lighting bracket shown in FIG. 1, the rear view being identical;

FIG. 3 is a left side elevational view of the lighting bracket of FIG. 2, the right side view being identical;

FIG. 4 is a top plan view of the lighting bracket of FIG. 2; FIG. 5 is a bottom plan view of the lighting bracket of FIG. 2;

FIG. 6 is a front elevational view of the extruded track shown in FIG. 1, the rear view being identical;

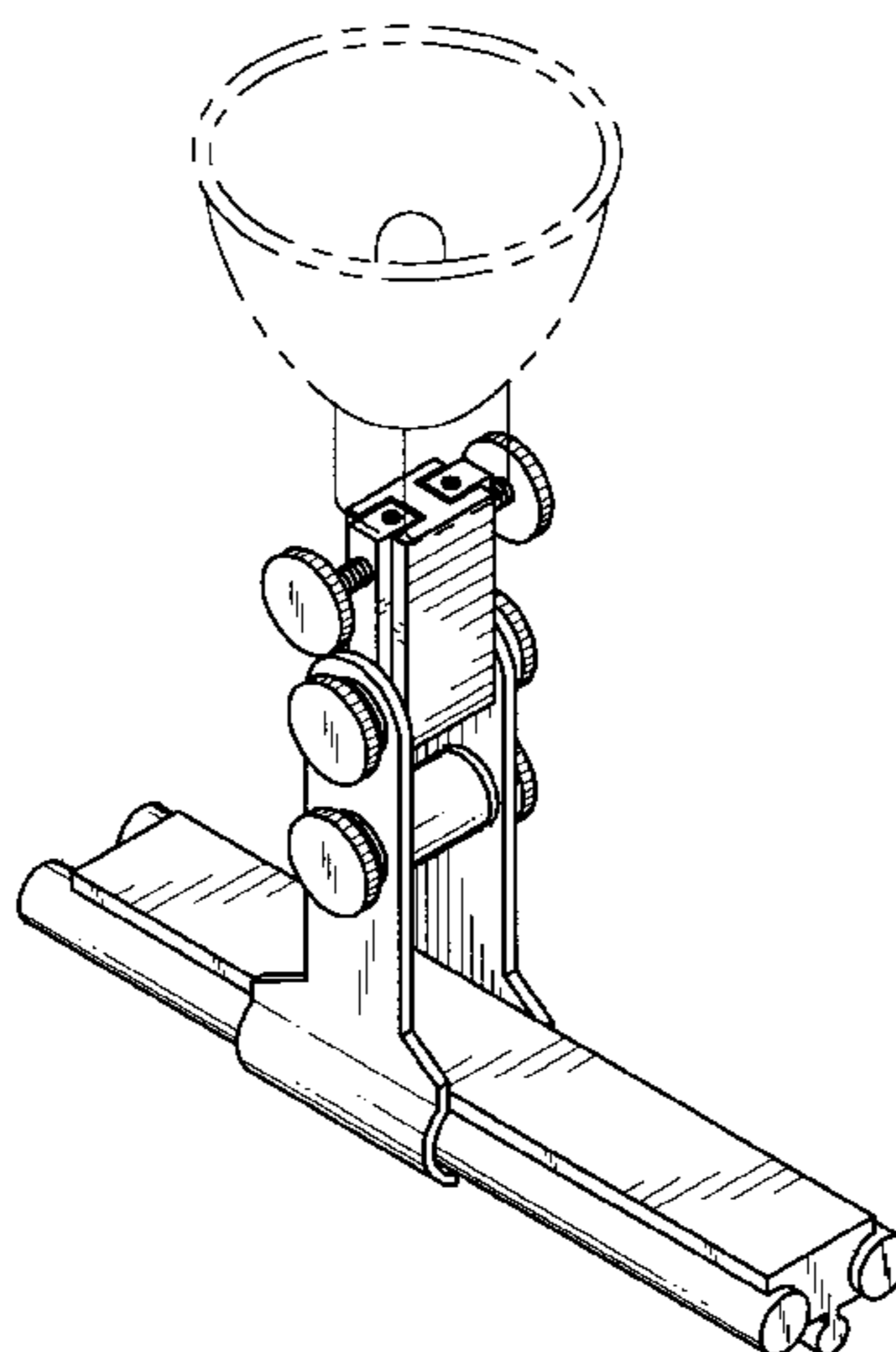
FIG. 7 is a left side elevational view of the extruded track of FIG. 6, the right side view being identical;

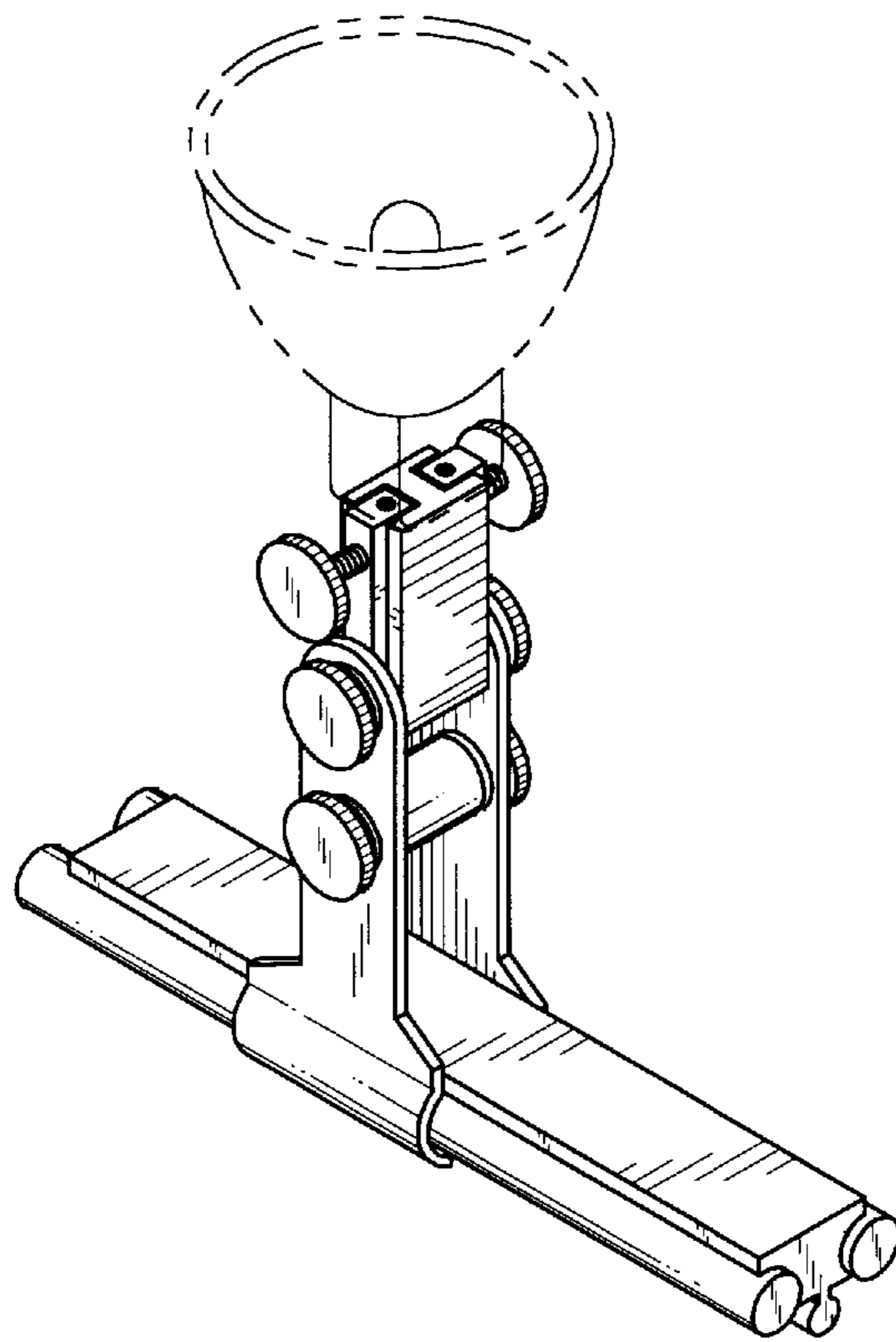
FIG. 8 is a top plan view of the extruded track of FIG. 6; and, FIG. 9 is a bottom plan view of the extruded track of FIG. 6.

The extruded track is omitted from FIGS. 2 through 5 and the bracket is omitted from FIGS. 6 through 9 for purposes of disclosure and convenience of illustration.

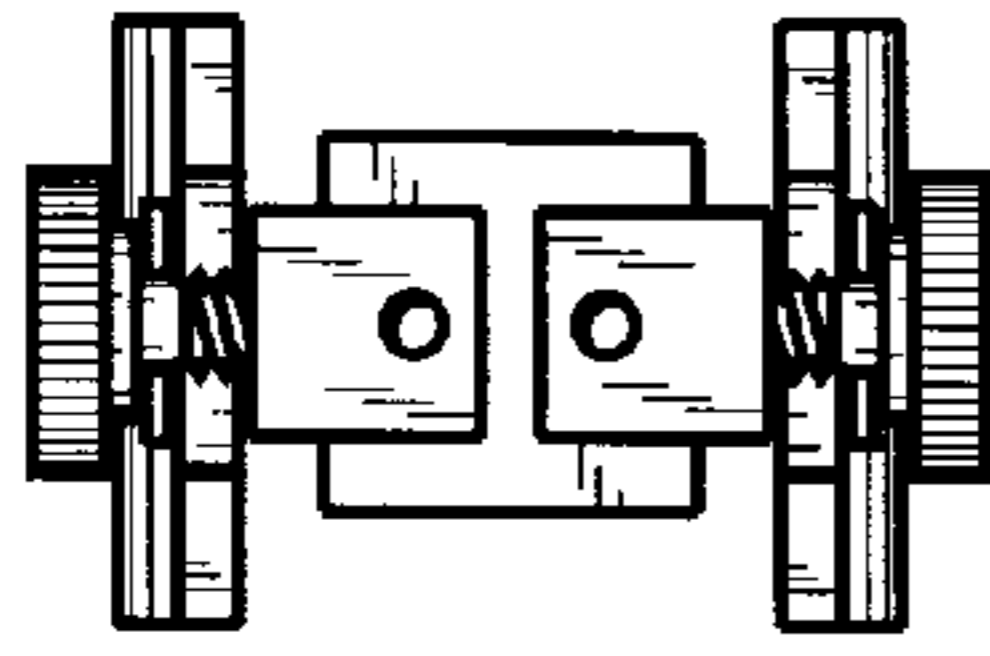
The lamp shown in broken lines in FIGS. 1, 6 and 15 is for illustrative purposes only and forms no part of the claimed design.

**1 Claim, 3 Drawing Sheets**

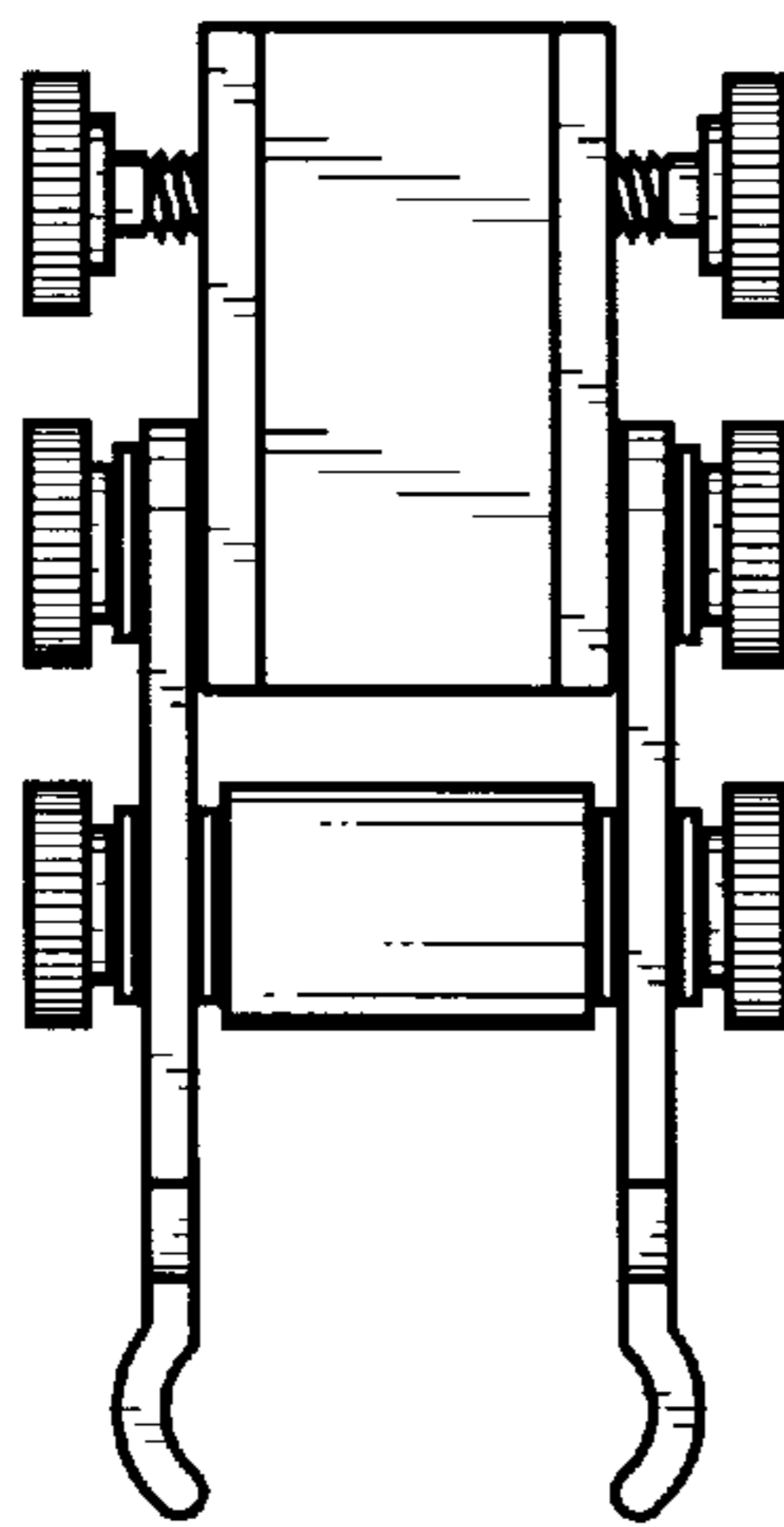




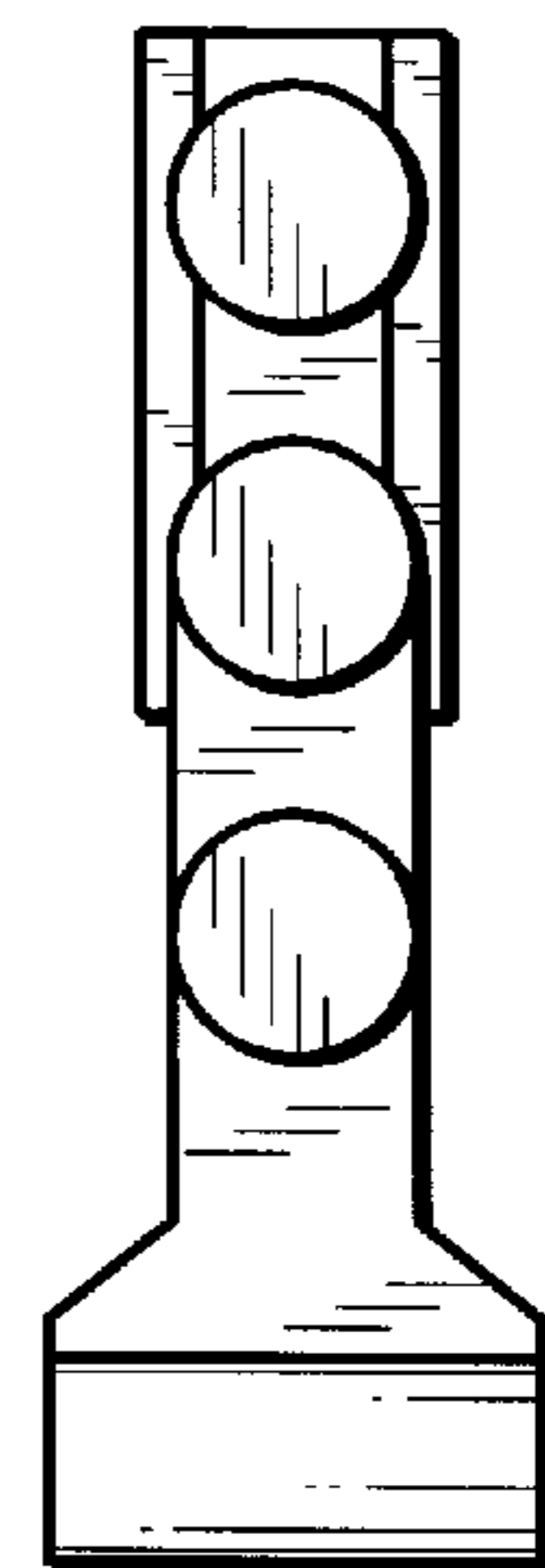
*Fig. 1*



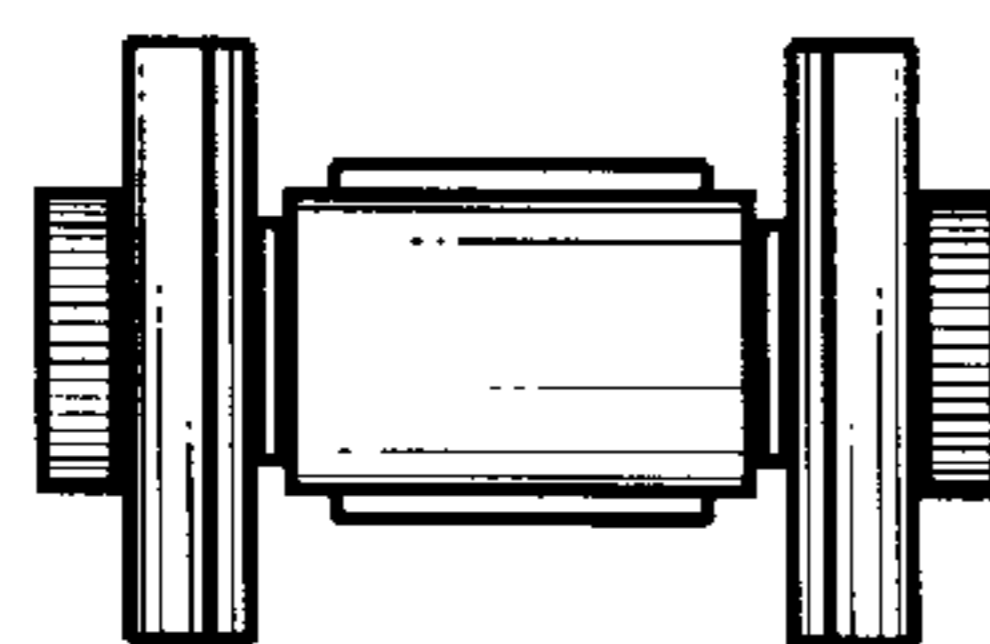
*Fig. 4*



*Fig. 2*

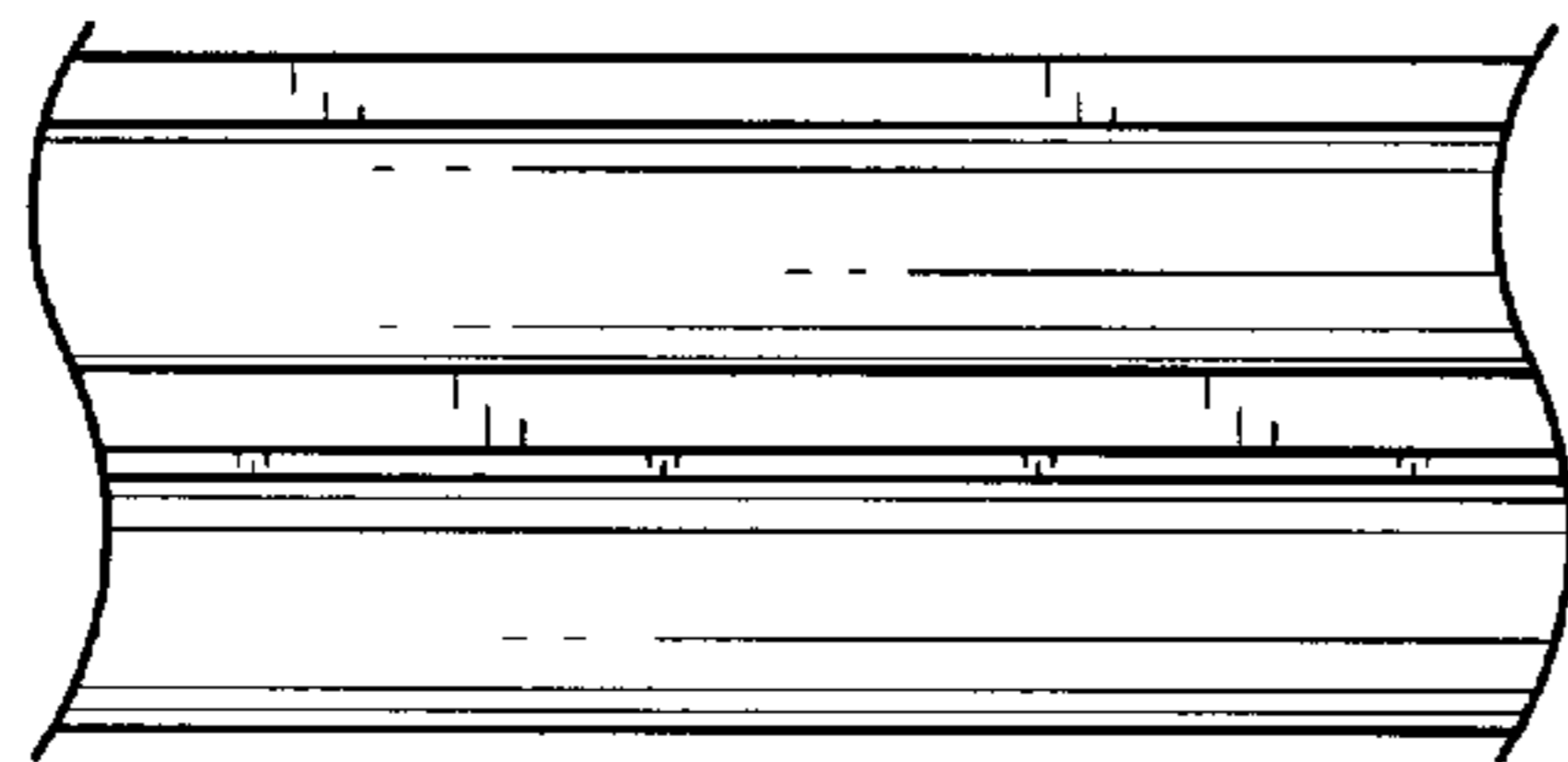
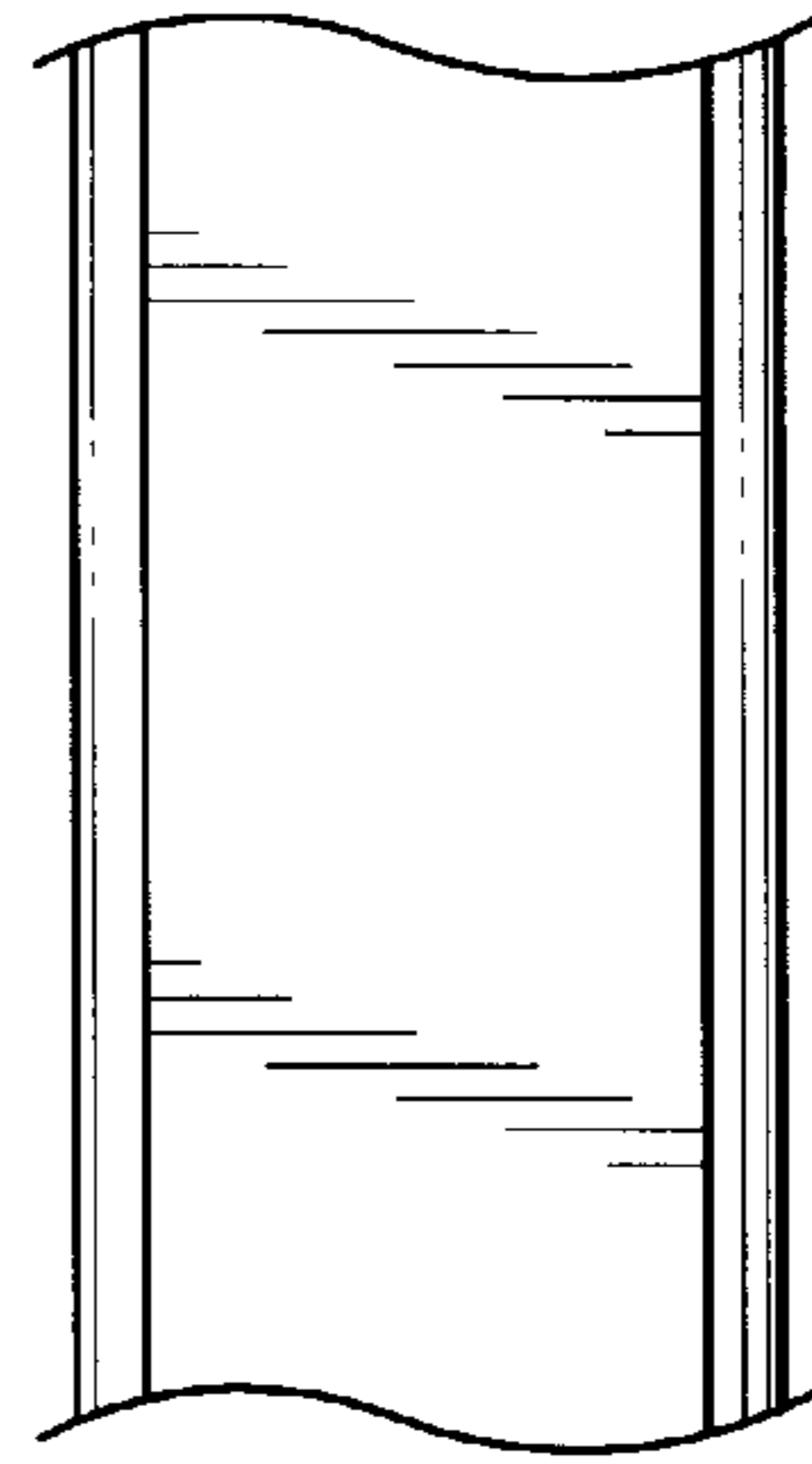


*Fig. 3*

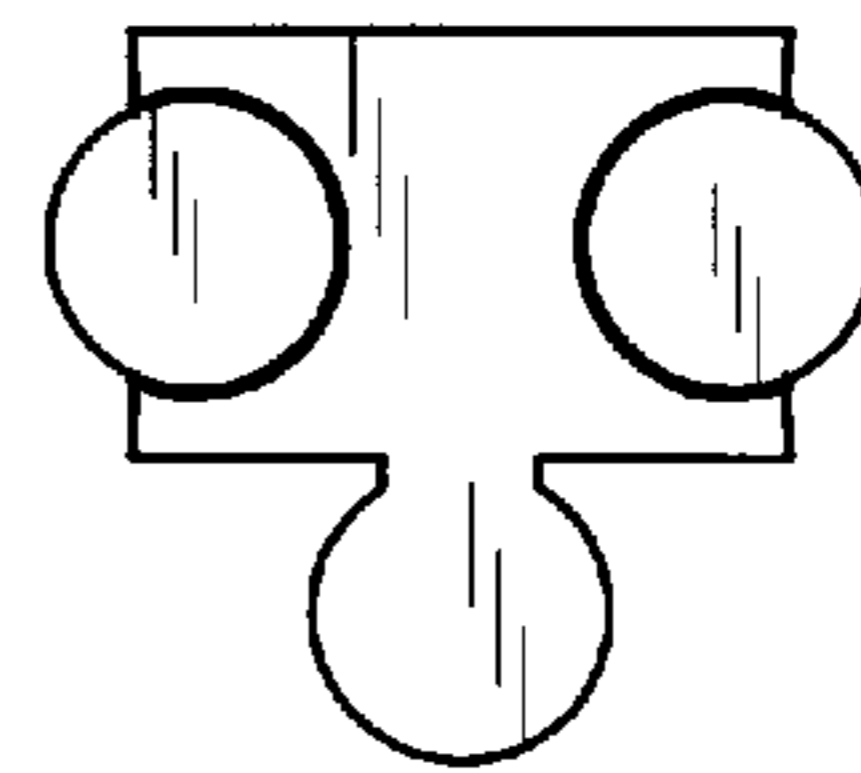


*Fig. 5*

*Fig. 8*



*Fig. 7*



*Fig. 6*

*Fig. 9*

