



US00D399590S

# United States Patent [19]

Lecluze

[11] **Patent Number: Des. 399,590**

[45] **Date of Patent: \*\*Oct. 13, 1998**

[54] **TRIM FOR RECESSED LIGHT FIXTURE**

3,518,420 6/1970 Kripp ..... 362/365 X

[76] Inventor: **Michel Lecluze**, 1009 rue du Parc Industriel, St-Jean-Chrysostome, Québec, Canada, G6Z 1C5

*Primary Examiner*—Susan J. Lucas  
*Attorney, Agent, or Firm*—Jean H. Dubuc

[\*\*] Term: **14 Years**

[57] **CLAIM**

The ornamental design for a trim for recessed light fixture, as shown and described.

[21] Appl. No.: **72,989**

**DESCRIPTION**

[22] Filed: **Jun. 27, 1997**

[51] **LOC (6) Cl.** ..... **26-99**

[52] **U.S. Cl.** ..... **D26/118; D26/74**

[58] **Field of Search** ..... **D26/72, 74, 118, D26/119; 362/147, 364, 365, 366**

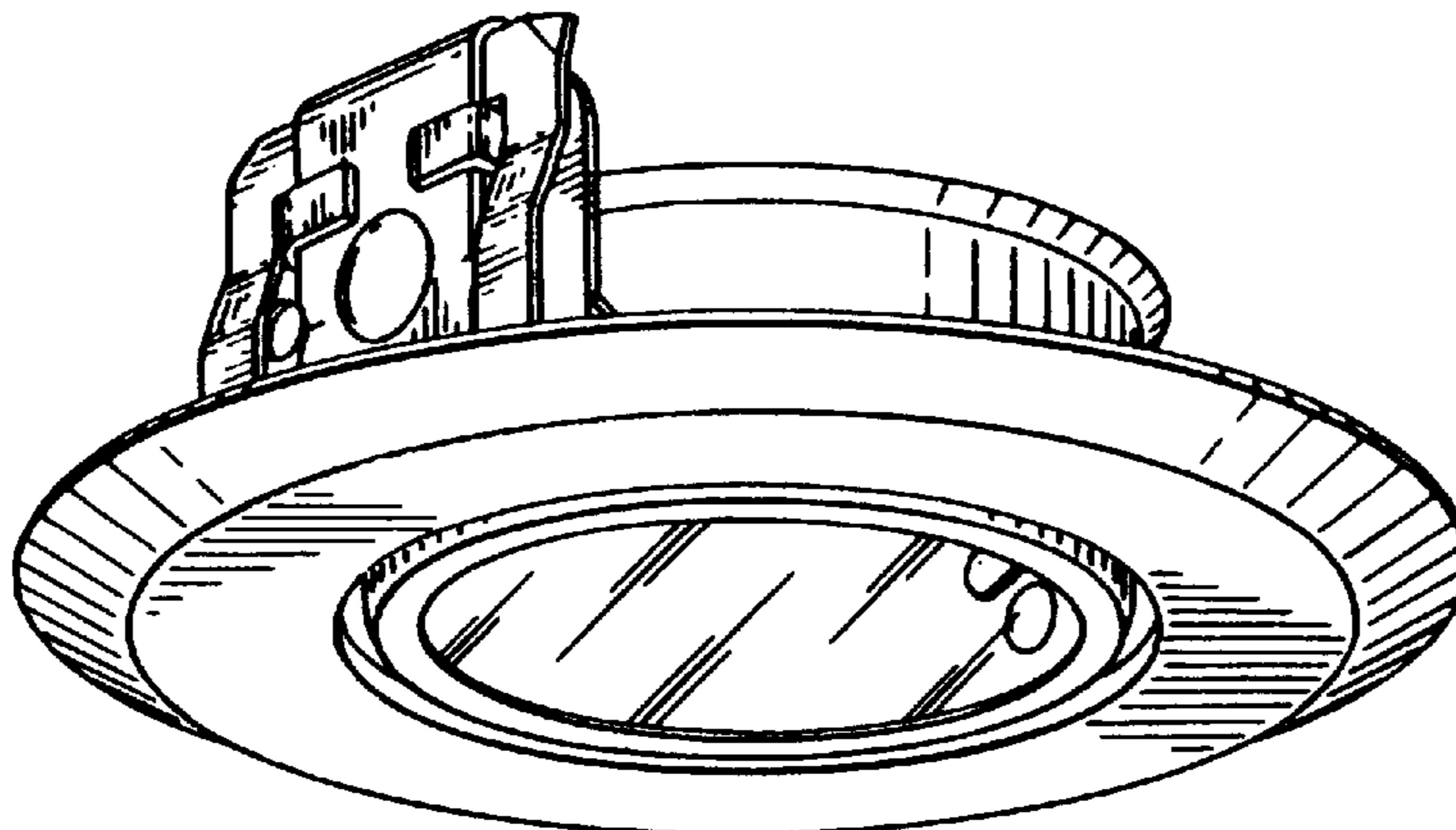
FIG. 1 is a perspective view of a trim for recessed light fixture made in accordance with the present invention; FIG. 2 is a side view thereof; FIG. 3 is a side view thereof as seen from the left of FIG. 2; FIG. 4 is a side view thereof as seen from the right of FIG. 2; FIG. 5 is a bottom view thereof; and, FIG. 6 is a top view thereof.

[56] **References Cited**

**U.S. PATENT DOCUMENTS**

D. 383,564 9/1997 Lecluze ..... D26/118

**1 Claim, 2 Drawing Sheets**



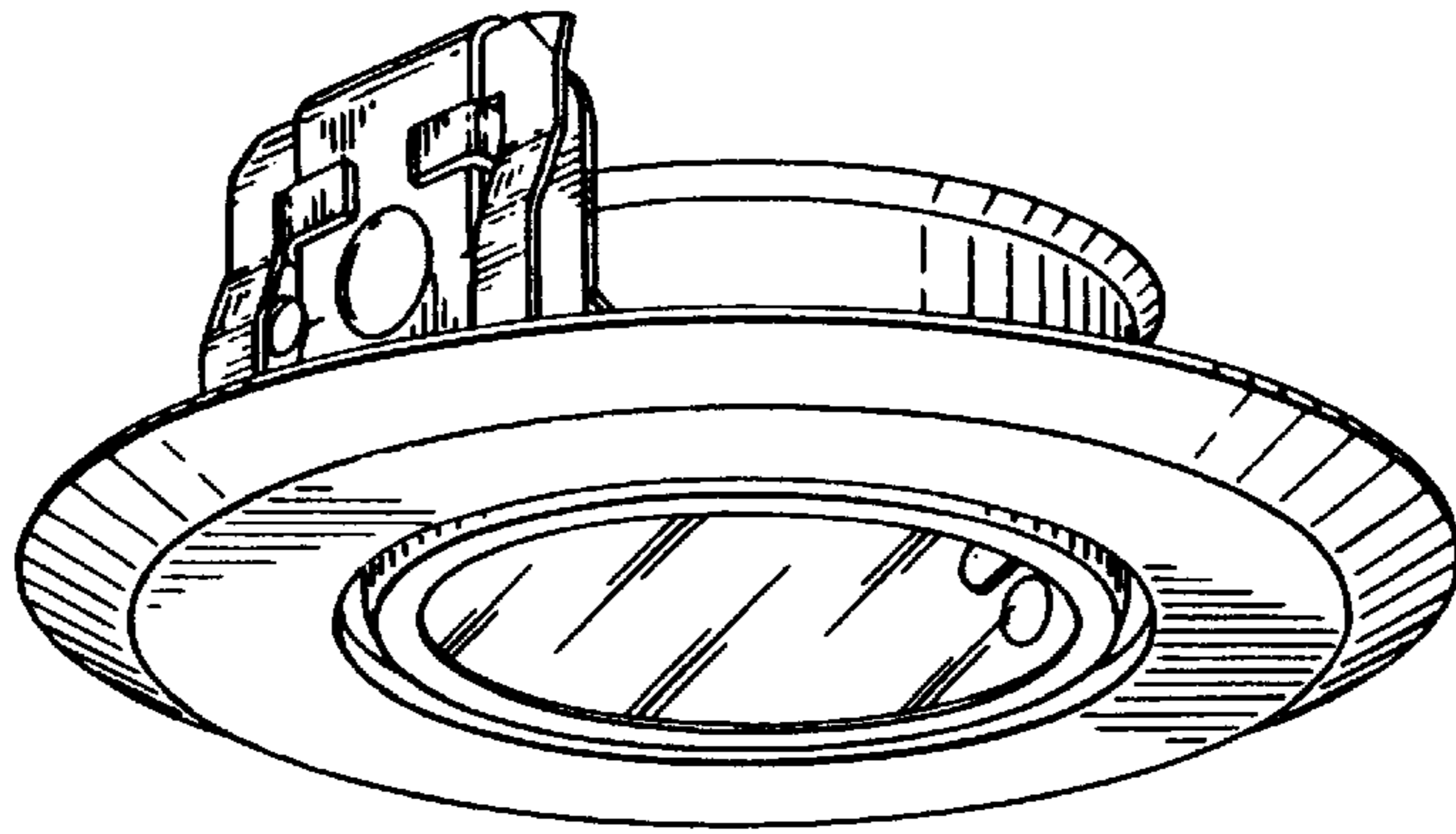


FIG. 1

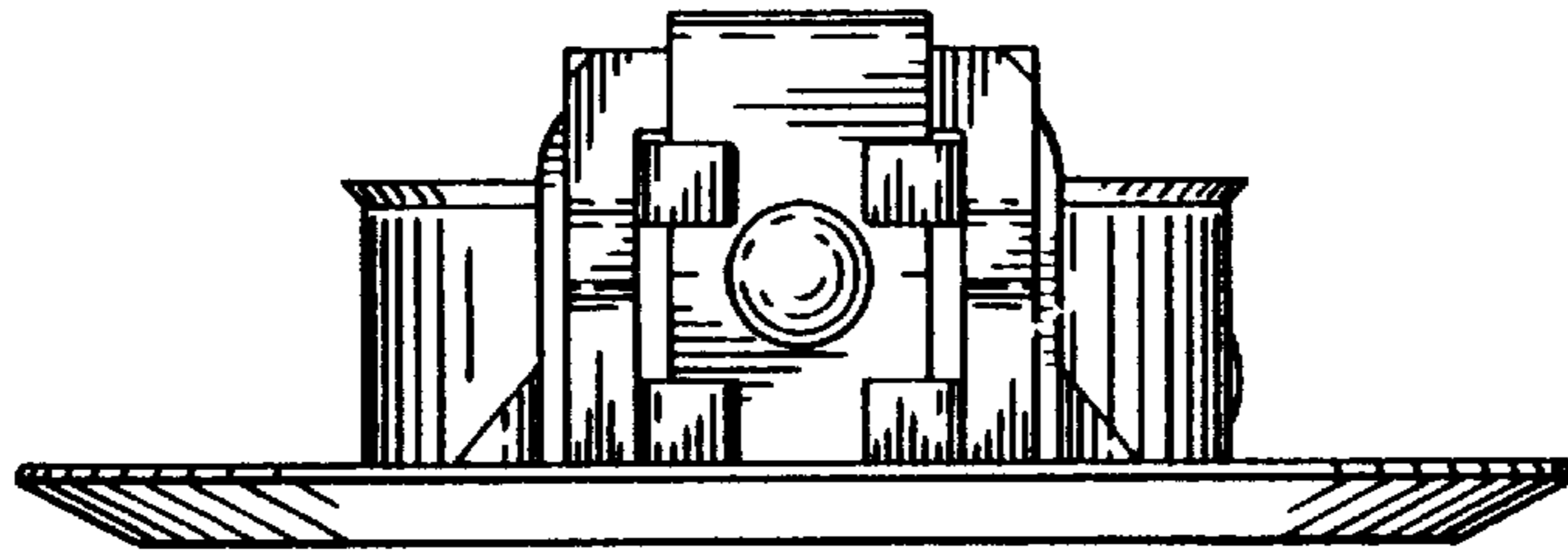


FIG. 2

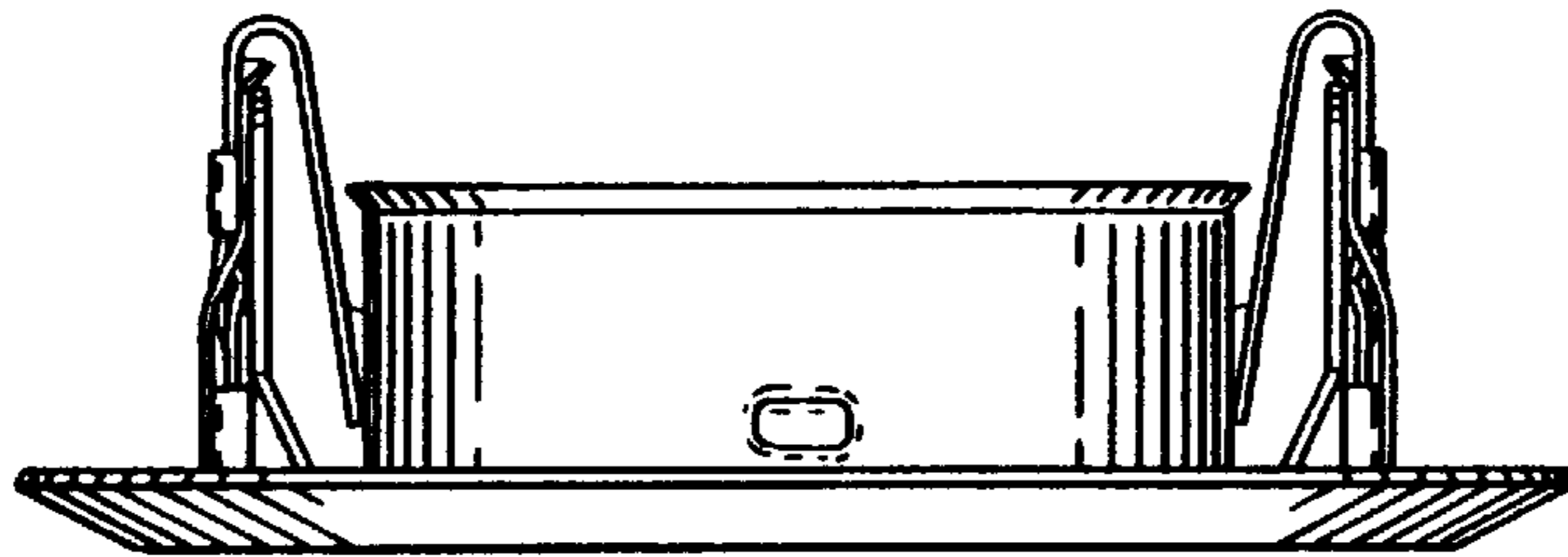


FIG. 3

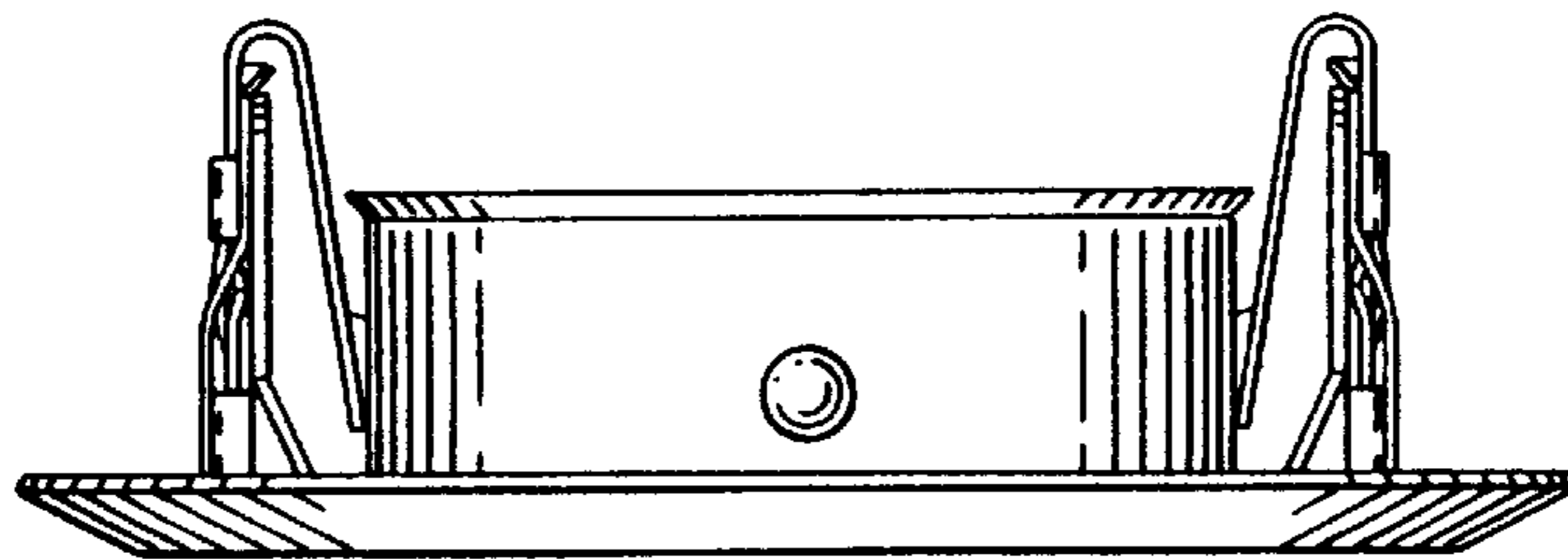


FIG. 4

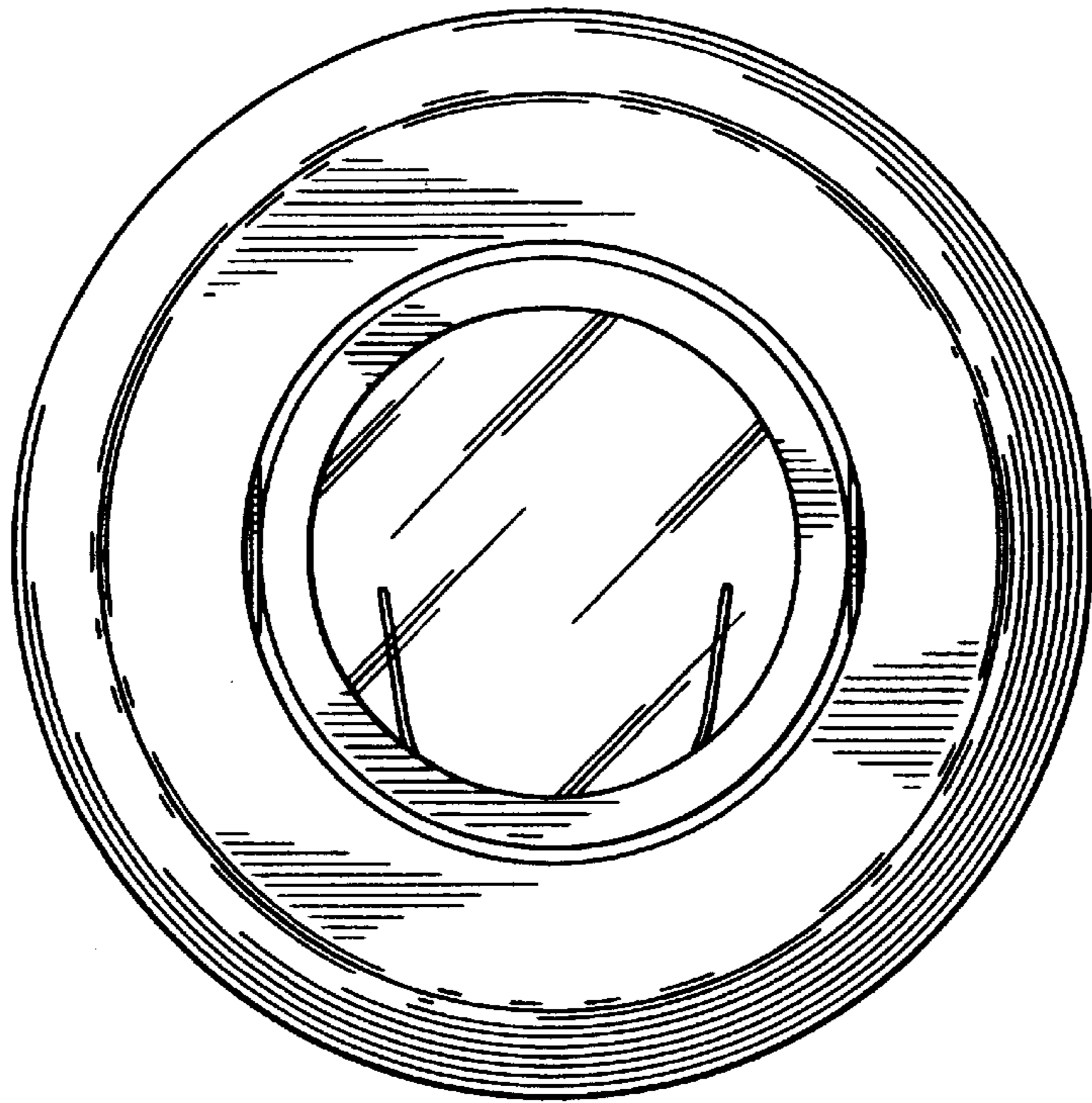


FIG. 5

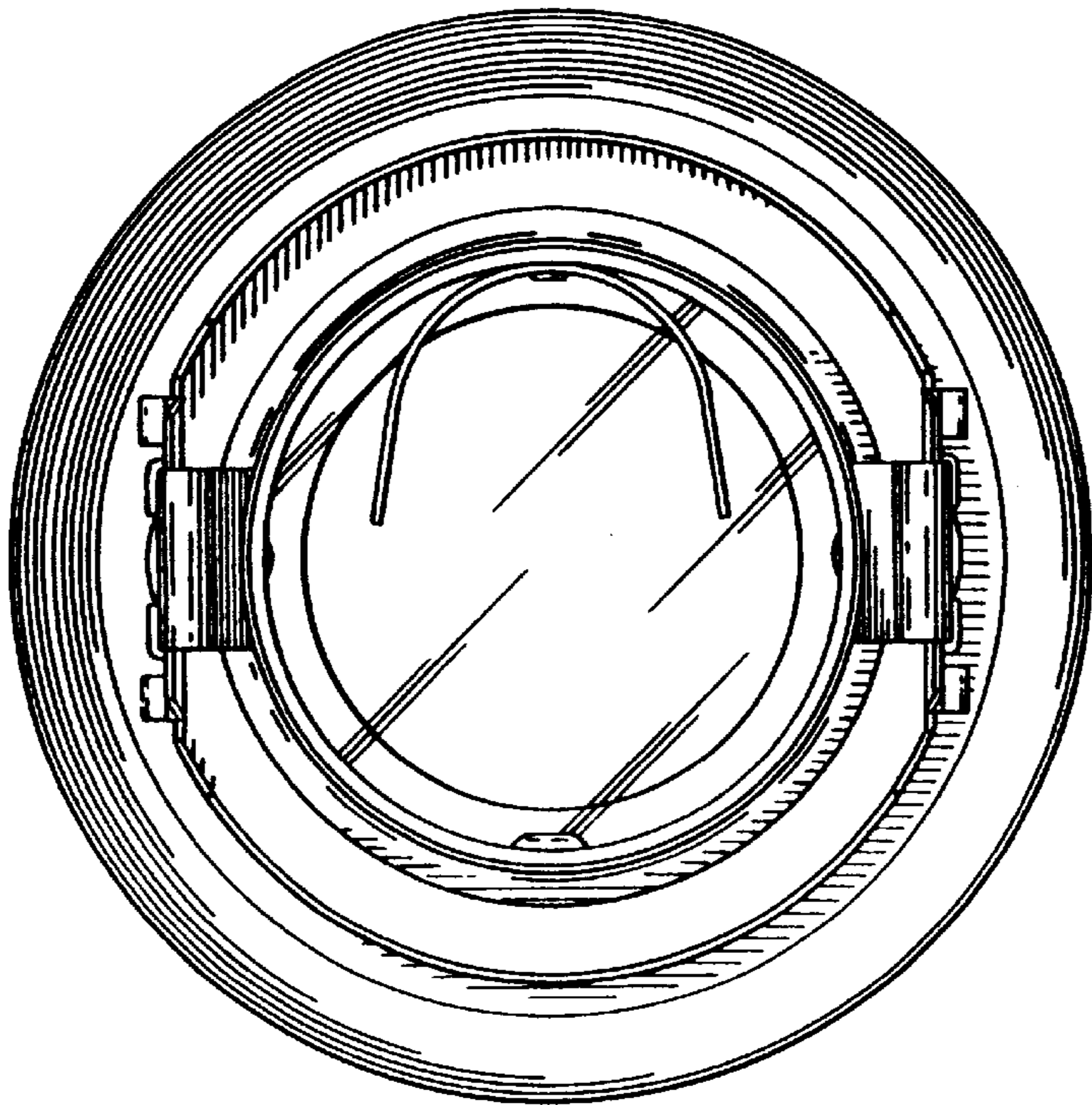


FIG. 6