



US00D399587S

# United States Patent [19]

Compton et al.

[11] Patent Number: Des. 399,587

[45] Date of Patent: \*\*Oct. 13, 1998

[54] **INDIRECT LIGHT FIXTURE**

[75] Inventors: **Frederick A. Compton**, Houston, Tex.;  
**Jeffrey L. Brown**, Ann Arbor, Mich.

[73] Assignee: **Precision Architectural Lighting**,  
Houston, Tex.

[\*\*] Term: **14 Years**

[21] Appl. No.: **65,099**

[22] Filed: **Jan. 21, 1997**

[51] **LOC (6) Cl.** ..... **26-05**

[52] **U.S. Cl.** ..... **D26/76**

[58] **Field of Search** ..... D26/74-78; 362/148,  
362/147, 217, 222, 223, 224

[56] **References Cited**

**U.S. PATENT DOCUMENTS**

D. 125,559	3/1941	Biller	.....	D26/76
D. 311,596	10/1990	Herst et al.	.....	D26/85
D. 311,967	11/1990	Herst et al.	.....	D26/85
D. 348,950	7/1994	Herst et al.	.....	D26/76 X
D. 363,805	10/1995	Cole, Jr.	.....	D26/76
2,732,484	1/1956	Lipscomb	.....	D26/77 X
3,851,164	11/1974	Intrator	.....	240/1.3
4,390,930	6/1983	Herst et al.	.....	362/224
4,450,513	5/1984	Guggemos	.....	362/299
4,644,454	2/1987	Herst et al.	.....	362/224
4,660,131	4/1987	Herst et al.	.....	362/223
4,667,275	5/1987	Herst et al.	.....	362/223
4,698,734	10/1987	Ngai	.....	362/225
4,706,170	11/1987	Herst et al.	.....	362/217
4,760,505	7/1988	Cole, Jr.	.....	362/225
4,939,627	7/1990	Herst et al.	.....	362/299
4,974,137	11/1990	Evans, Jr. et al.	.....	362/300
4,975,812	12/1990	Cole, Jr.	.....	362/225
5,051,878	9/1991	Ngai	.....	362/299
5,192,128	3/1993	Ngai	.....	362/297
5,217,301	6/1993	Munz et al.	.....	362/394
5,416,684	5/1995	Pearce	.....	362/340
5,530,628	6/1996	Ngai	.....	362/33
5,555,162	9/1996	Shemitz	.....	362/347 X

5,636,915 6/1997 Cassarly et al. .... 362/32

**FOREIGN PATENT DOCUMENTS**

1238863 9/1962 Germany .

**OTHER PUBLICATIONS**

ANSI/IESNA RP Jan. 1993; *Offices with Visual Display Terminals (VDT screens)*; (pp. 34-41).

Peerless; *9 x 3 Rounded Lighscreen Indirect*; (undated) (4 p.) Prior to filing date.

Ledalite; *Perfform System Guide*; (undated); (1 p.) Prior to filing date.

LiteControl; *Classica*; (undated); (3 p.), prior to filing date.

Rolux; *Lam Fluorescent Indirect*; Series RO-1-94; (8 p.).

Peerless Lighting Corporation (1986); *Peerless Lighting/6" Round*; *Other Softshine Optical Systems*; (3 p.).

*Primary Examiner*—Susan J. Lucas

*Attorney, Agent, or Firm*—Conley, Rose & Tayon, P.C.

[57] **CLAIM**

The ornamental design for an indirect light fixture, as shown and described.

**DESCRIPTION**

FIG. 1 is an isometric view of the indirect light fixture;

FIG. 2 is an end view of the indirect light fixture, both ends being identical;

FIG. 3 is a bottom view of the indirect light fixture;

FIG. 4 is a side view the of indirect light fixture, both sides being identical;

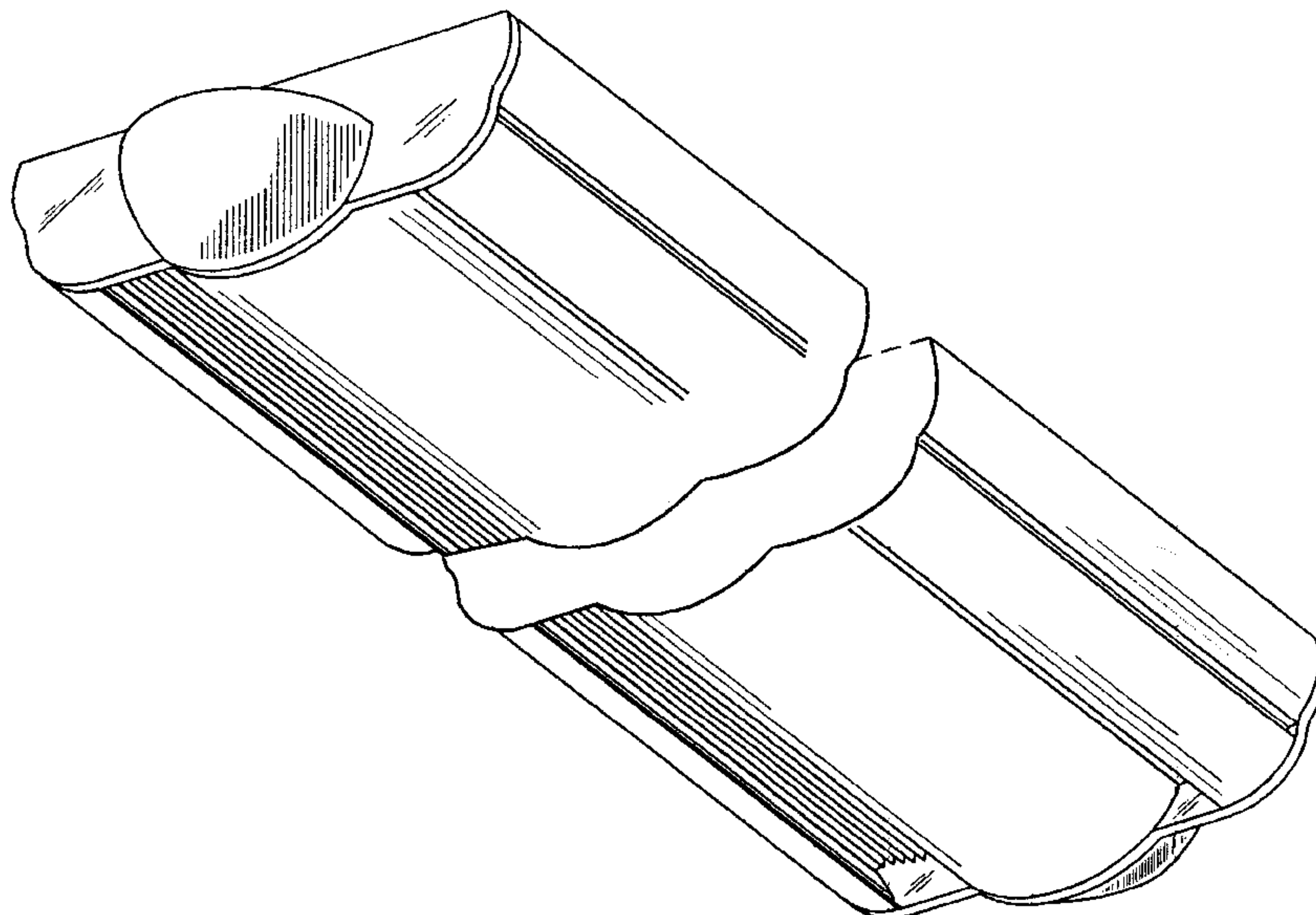
FIG. 5 is a side view of a second embodiment of the light fixture design; and,

FIG. 6 is a side view of a third embodiment of the light fixture design.

The second and third embodiments differ from the first embodiment only by the surface pattern on the top side panel. The top of the fixture is hidden in use and is unornamented.

The light fixture is broken away to indicate indeterminate length.

**1 Claim, 3 Drawing Sheets**



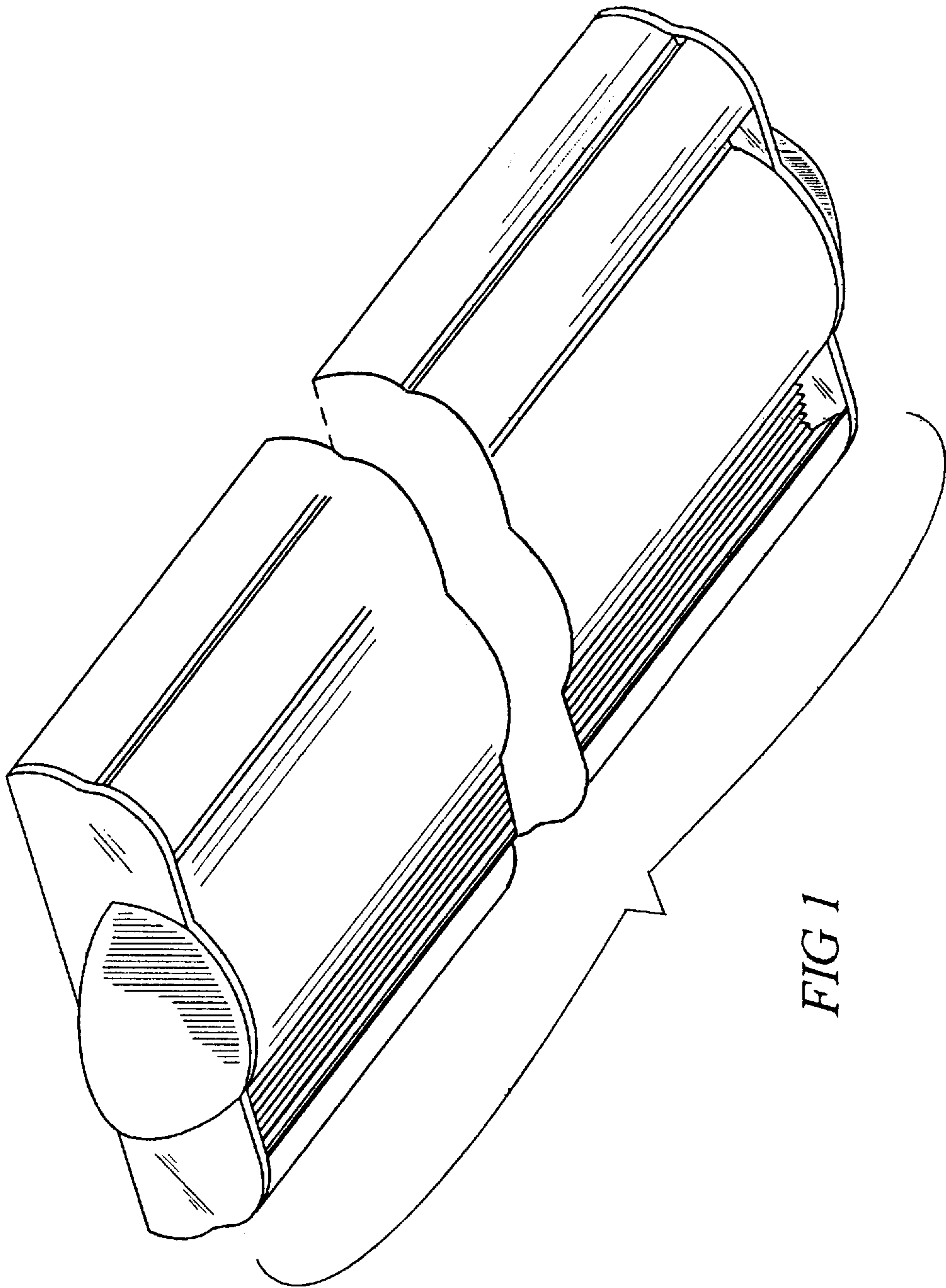


FIG 1

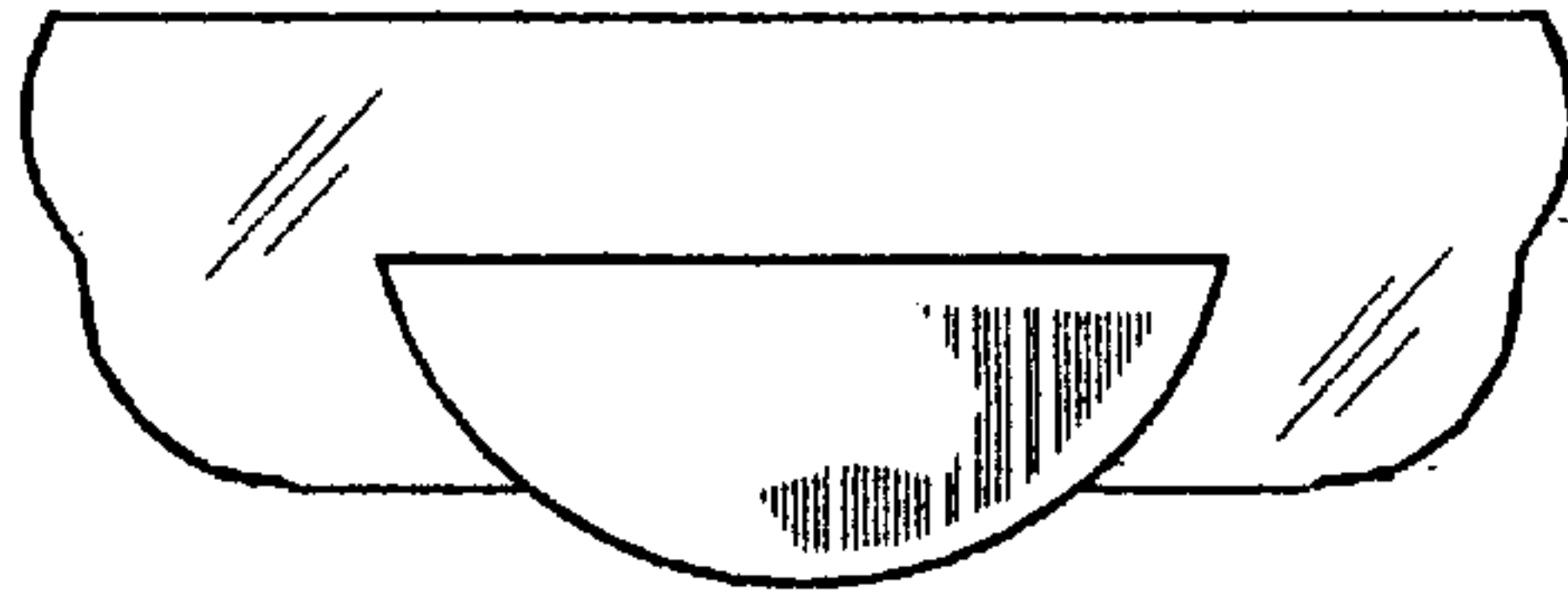


FIG 2

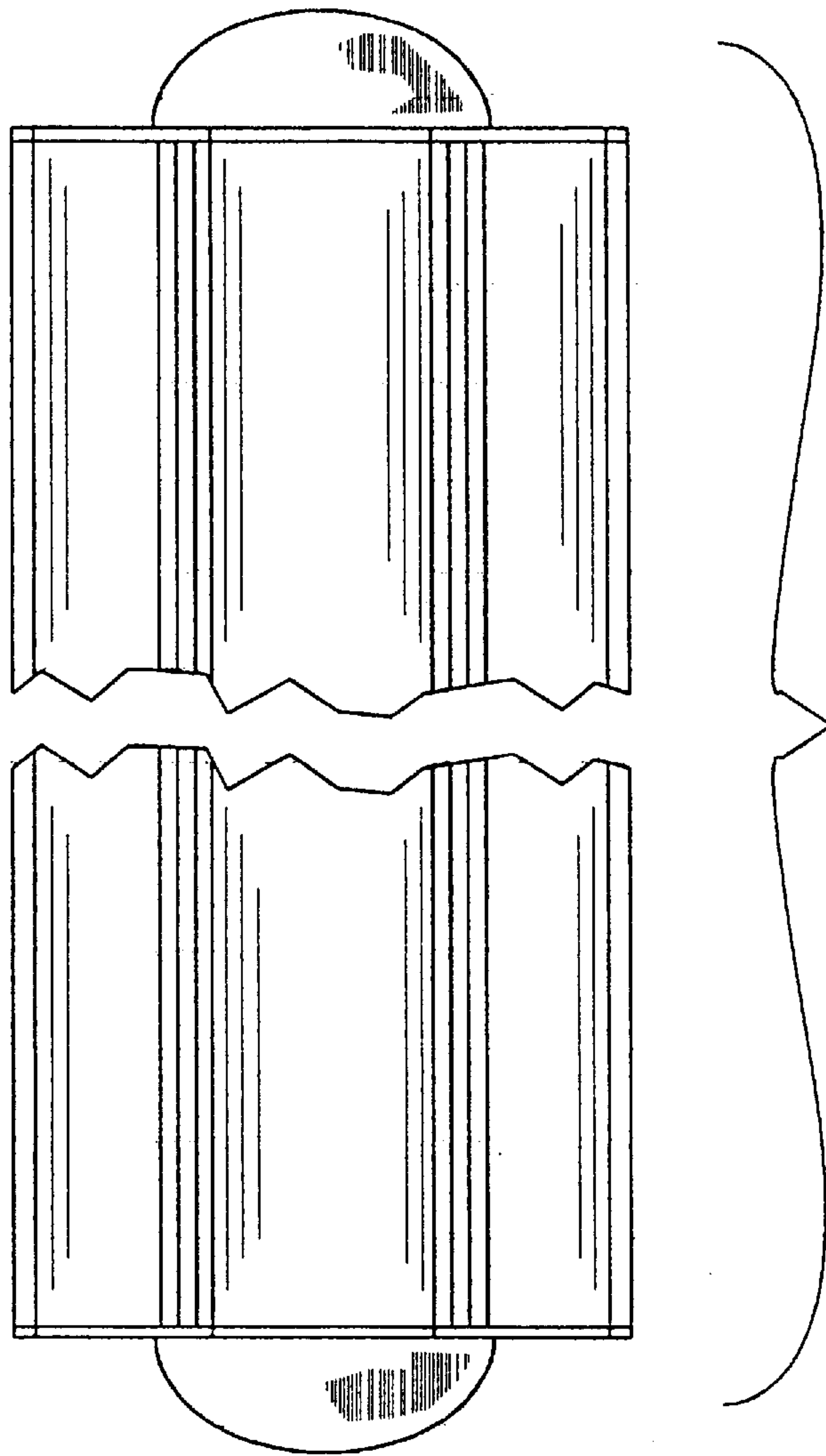


FIG 3

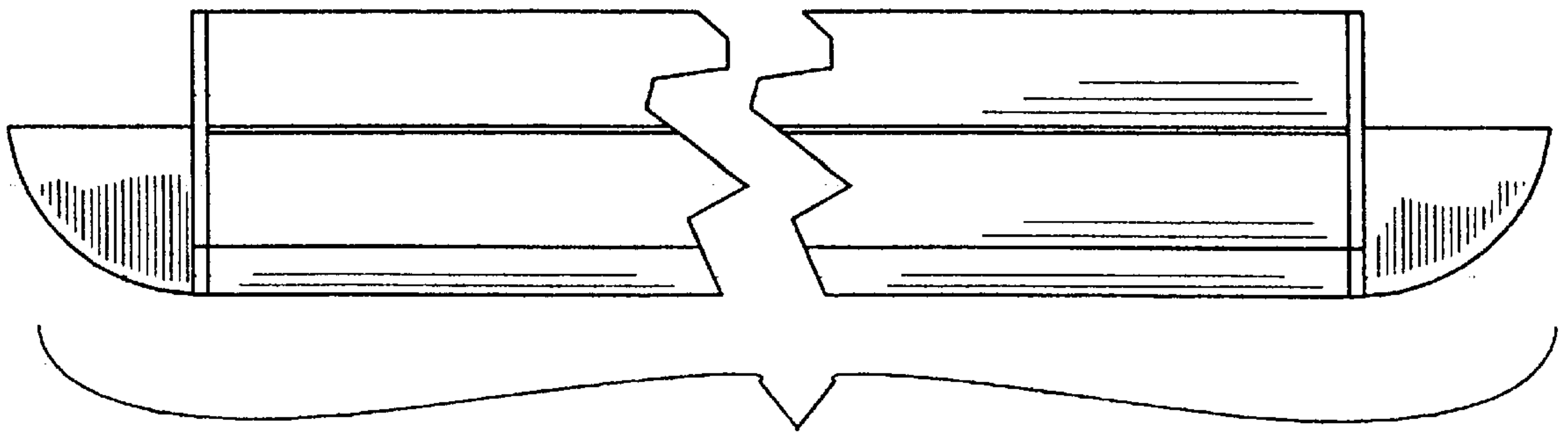


FIG 4

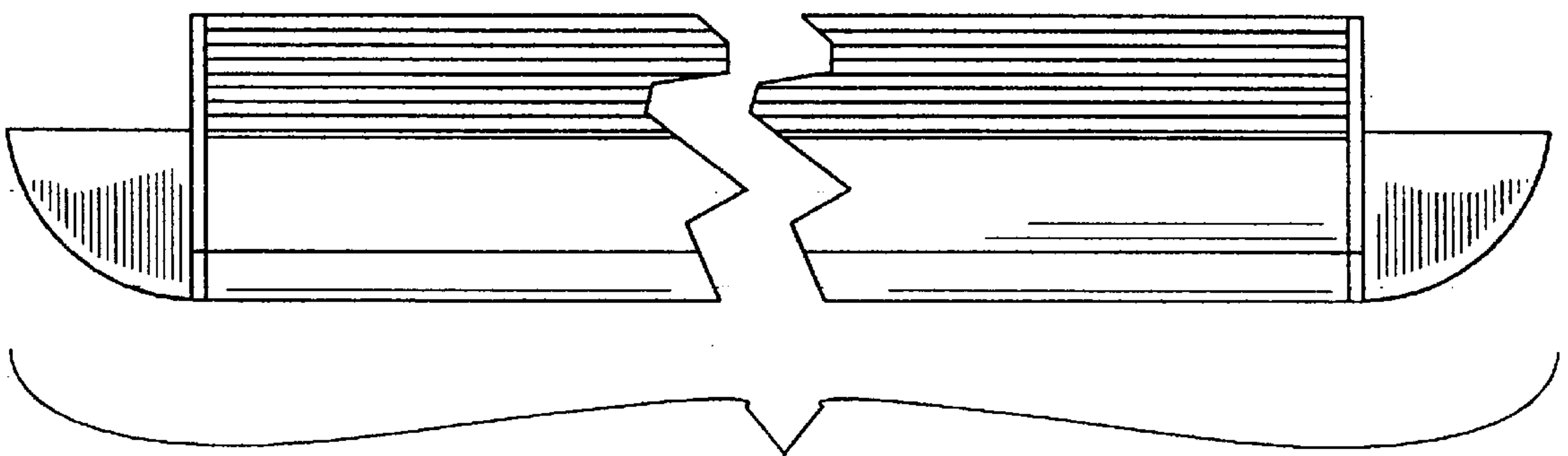


FIG 5

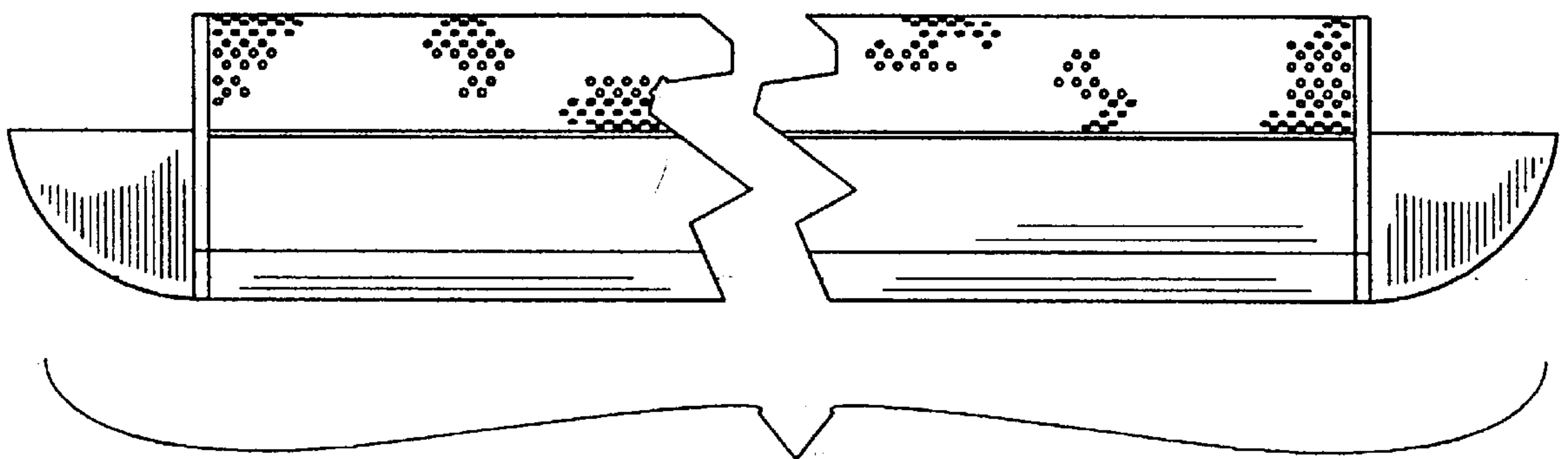


FIG 6