



US00D399586S

United States Patent [19]

[11] Patent Number: **Des. 399,586**

Ranieri et al.

[45] Date of Patent: ****Oct. 13, 1998**

[54] LIGHTING FIXTURE

2,258,354	10/1941	Doane	D26/74 X
3,560,729	2/1971	Lieberman	362/347 X
5,192,129	3/1993	Figuroa	362/346
5,570,947	11/1996	Felland	362/346 X

[75] Inventors: **David Richard Ranieri; Gregory Randal Holder**, both of Conyers, Ga.

[73] Assignee: **National Service Industries, Inc.**, Atlanta, Ga.

Primary Examiner—Susan J. Lucas
Attorney, Agent, or Firm—Kenneth E. Darnell

[**] Term: **14 Years**

[57] CLAIM

[21] Appl. No.: **70,945**

The ornamental design of a lighting fixture, as shown and described.

[22] Filed: **May 20, 1997**

DESCRIPTION

[51] LOC (6) Cl. **26-05**

[52] U.S. Cl. **D26/74; D26/118**

[58] Field of Search D26/74-78; 362/147, 362/148, 217, 222, 223, 224, 364, 365, 346, 347

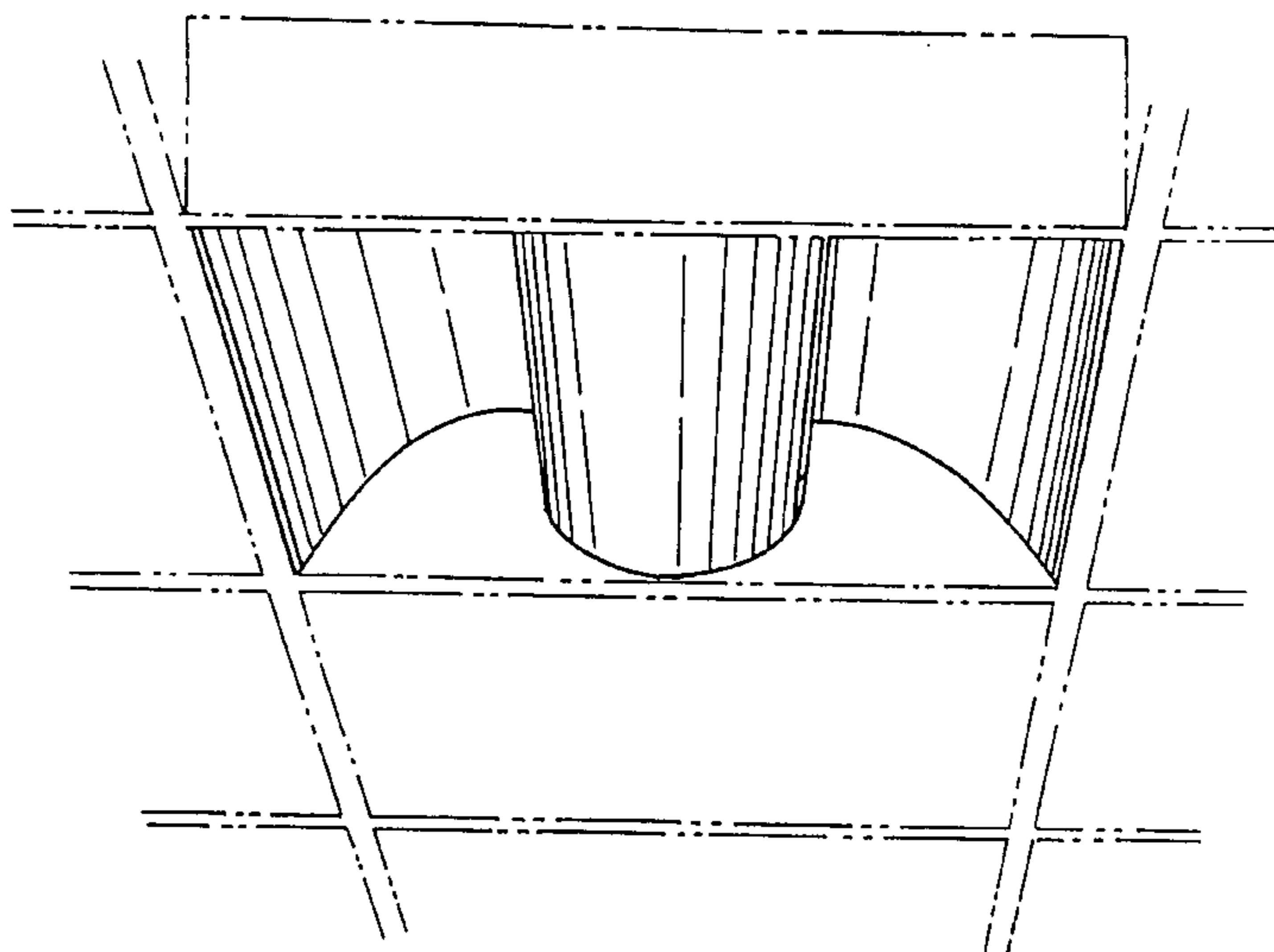
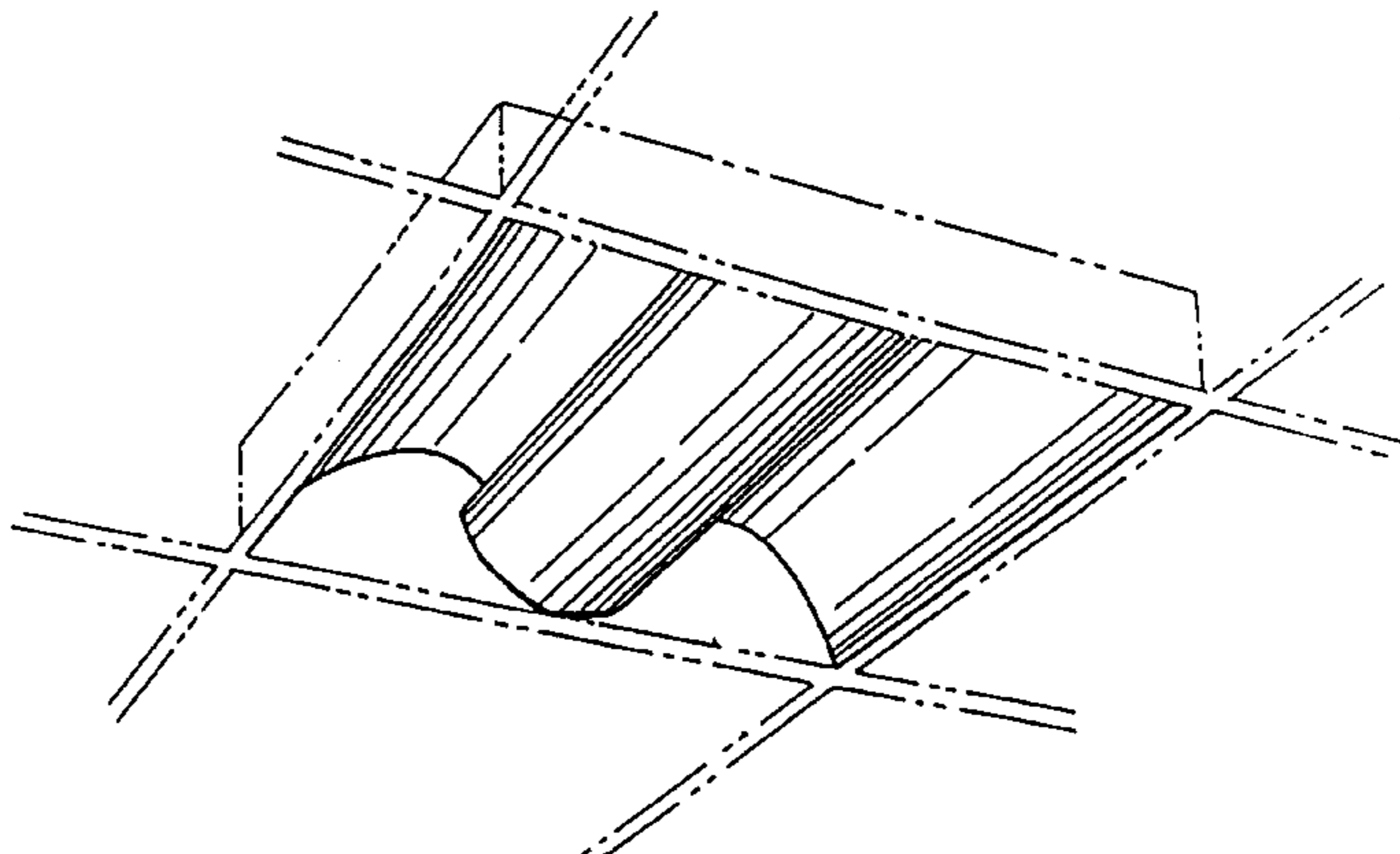
FIG. 1 is a perspective view taken from the front, bottom, and right side of a embodiment of the lighting fixture with a ceiling grid within which the fixture is typically mounted being shown in phantom and with a fixture housing not part of the design being shown in phantom;
FIG. 2 is a perspective view taken from the front and bottom of the lighting fixture of FIG. 1; and,
FIG. 3 is a bottom plan view of the embodiment of FIGS. 1 and 2.

[56] References Cited

U.S. PATENT DOCUMENTS

D. 195,012	4/1963	Hoyle	D26/74 X
D. 348,746	7/1994	Herst et al.	D26/75 X

1 Claim, 2 Drawing Sheets



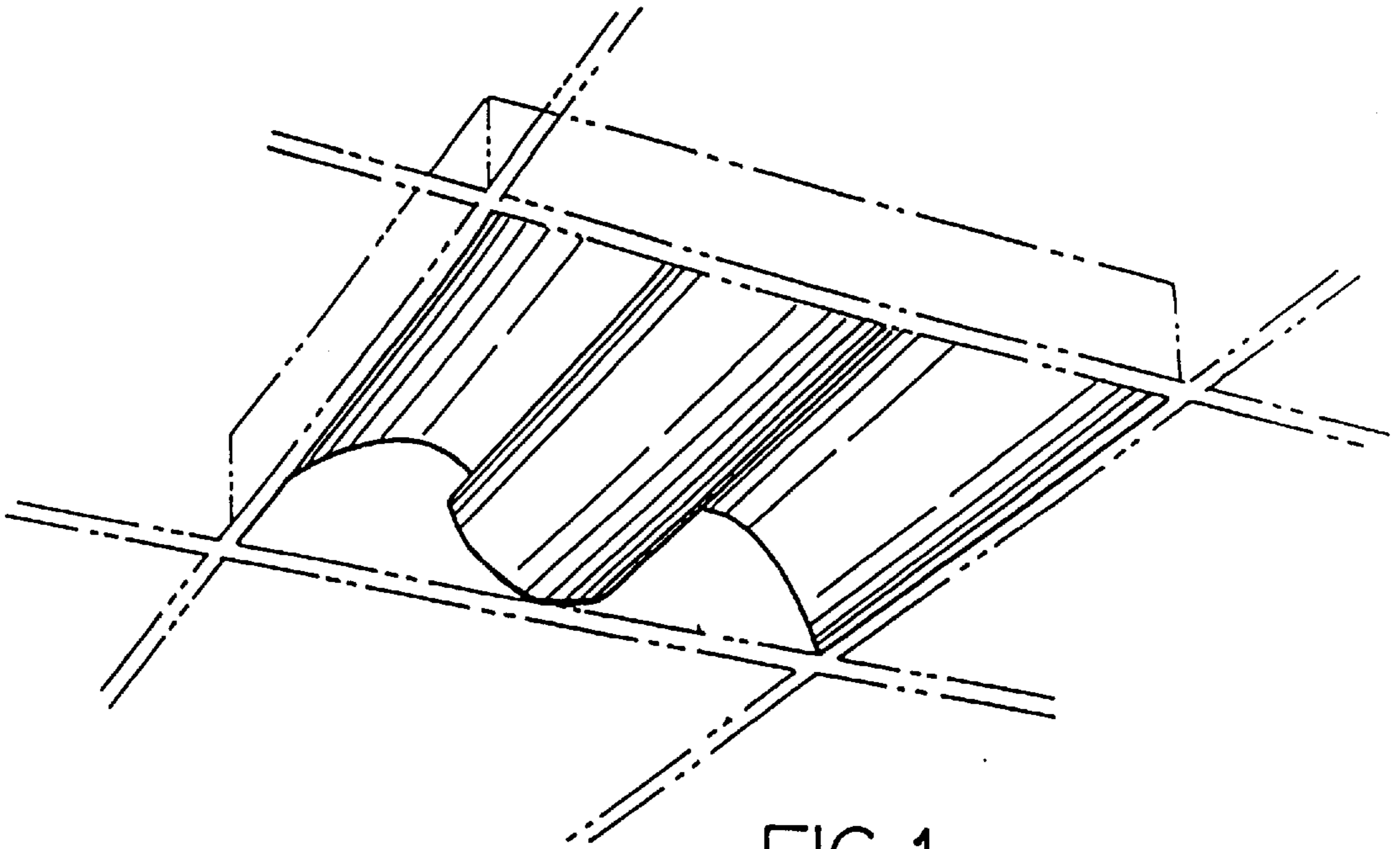


FIG. 1

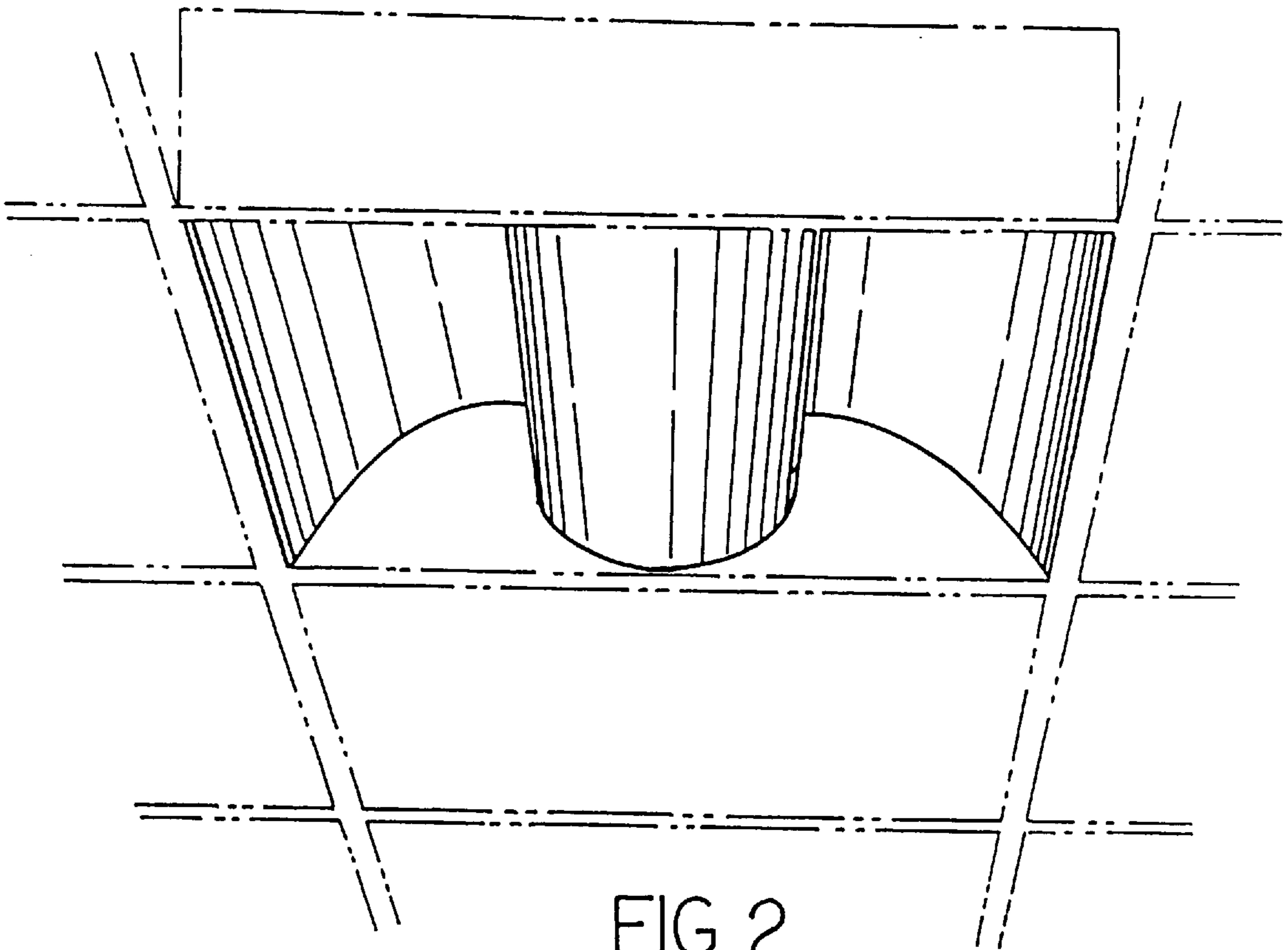


FIG. 2

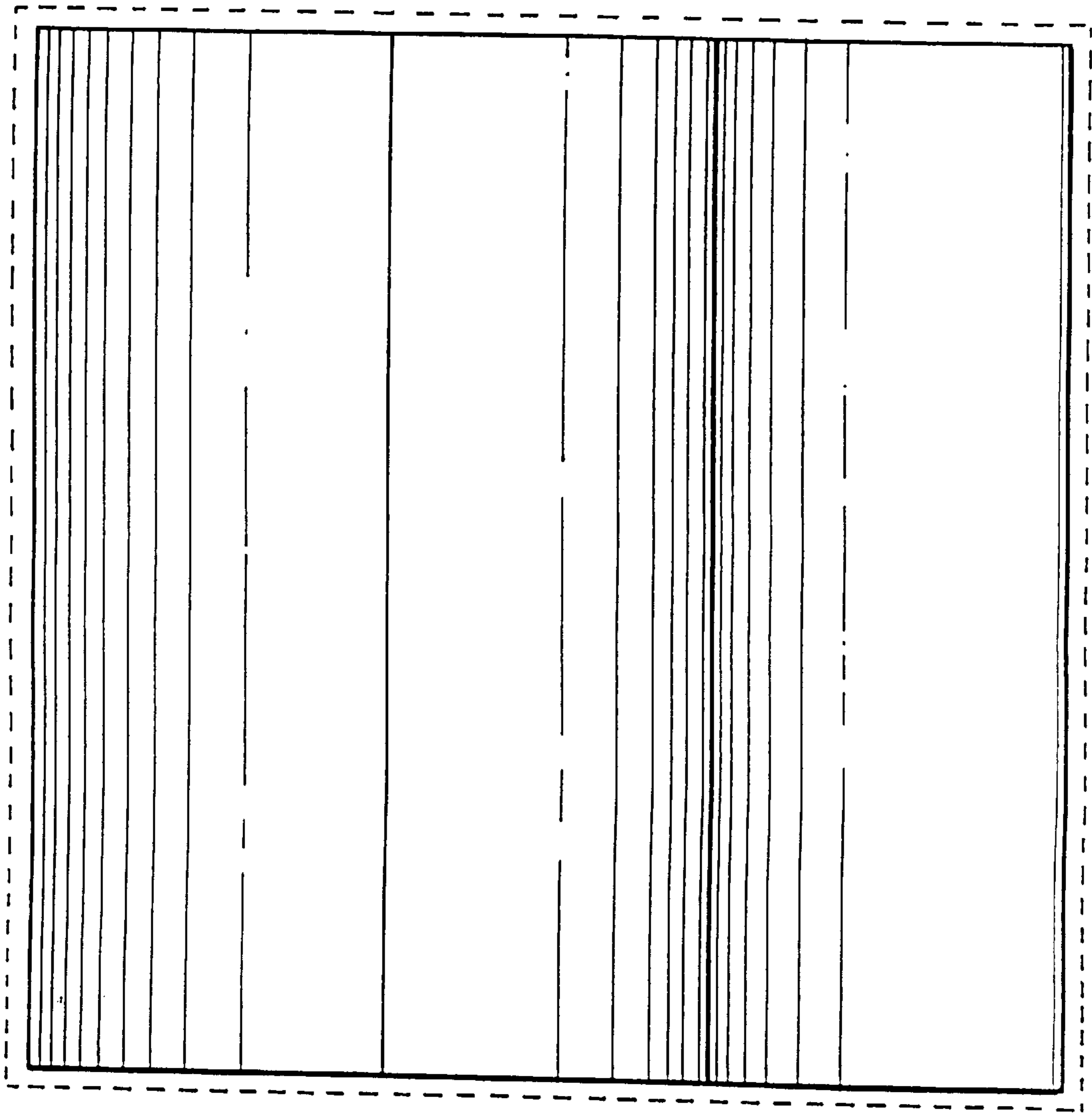


Fig. 3.