



US00D399584S

United States Patent [19]

Giese et al.

[11] Patent Number: **Des. 399,584**

[45] Date of Patent: ****Oct. 13, 1998**

[54] **DIRECTIONAL FLOODLIGHT**

[75] Inventors: **Robert D. Giese; Eric J. Haugaard,**
both of Kenosha, Wis.

[73] Assignee: **Ruud Lighting, Inc.,** Racine, Wis.

[**] Term: **14 Years**

[21] Appl. No.: **80,549**

[22] Filed: **Dec. 2, 1997**

[51] **LOC (6) Cl.** **26-05**

[52] **U.S. Cl.** **D26/63**

[58] **Field of Search** D26/61, 63, 65,
D26/24; 362/269, 275, 285, 287, 418, 419,
427, 430, 428

[56] **References Cited**

U.S. PATENT DOCUMENTS

D. 234,218 1/1975 Donato D26/63

OTHER PUBLICATIONS

L.E. Mason Co. Red Dot Sitelight Swivel Light Installation Instructions 1995.

L. E. Mason Co. Red Dot Sitelight Wall Spot Light Installation Instructions 1995.

Crest lighting catalog, single page, track light with rounded end, 1991.

Max International Flyer, single sheet, spotlight with top pivot, 1989.

Primary Examiner—Susan J. Lucas
Attorney, Agent, or Firm—Jansson, Shupe, Bridge & Munger, Ltd.

[57] **CLAIM**

The ornamental design for a directional floodlight, as shown and described.

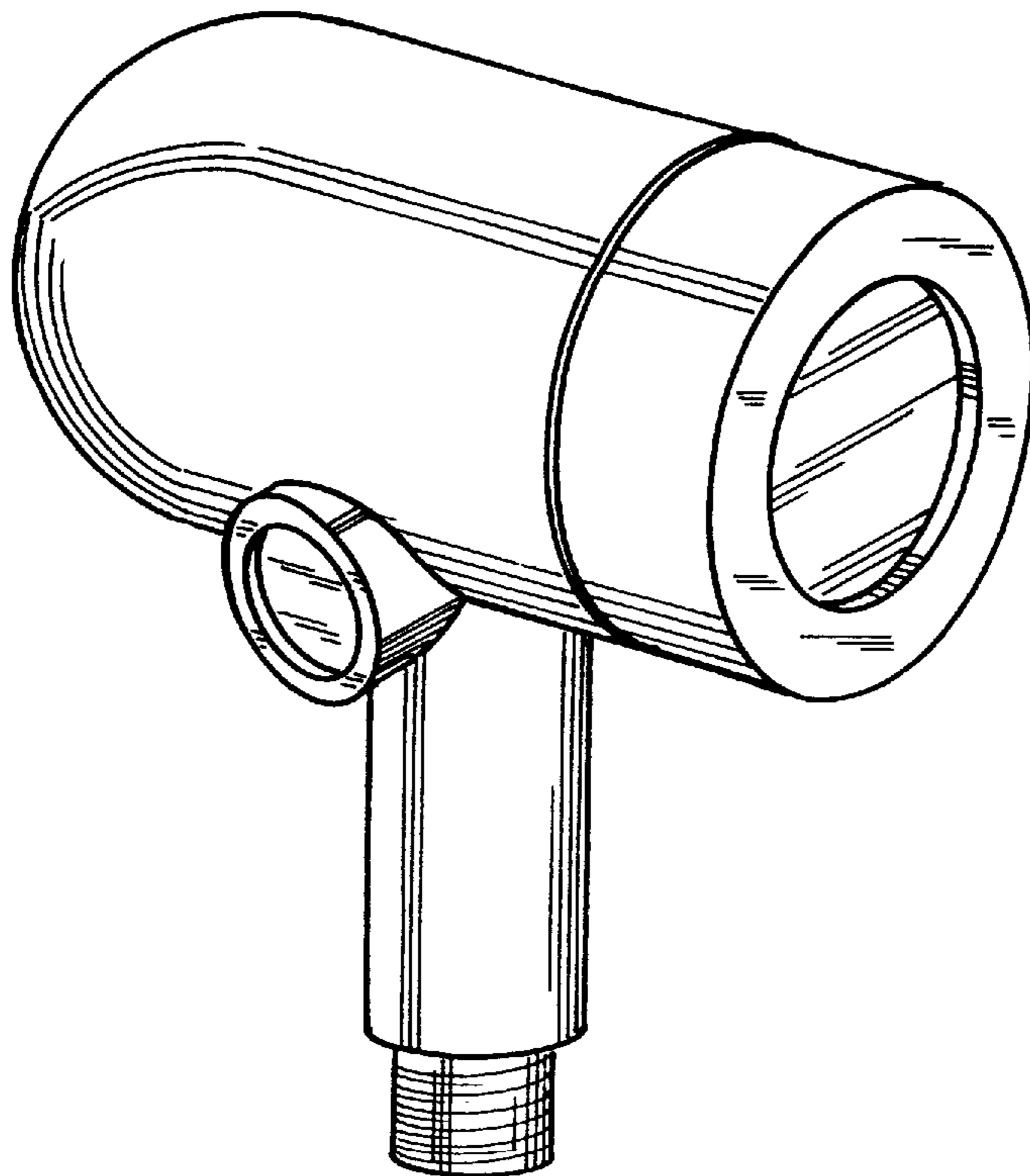
DESCRIPTION

FIG. 1 is a perspective view of the directional floodlight; FIG. 2 is a front elevational view of the directional floodlight;

FIG. 3 is a rear elevation view of the directional floodlight; FIG. 4 is a side elevation view of the directional floodlight, the other side elevation view being a mirror image thereof;

FIG. 5 is a top plan view of the directional floodlight; and, FIG. 6 is a bottom plan view of the directional floodlight.

1 Claim, 2 Drawing Sheets



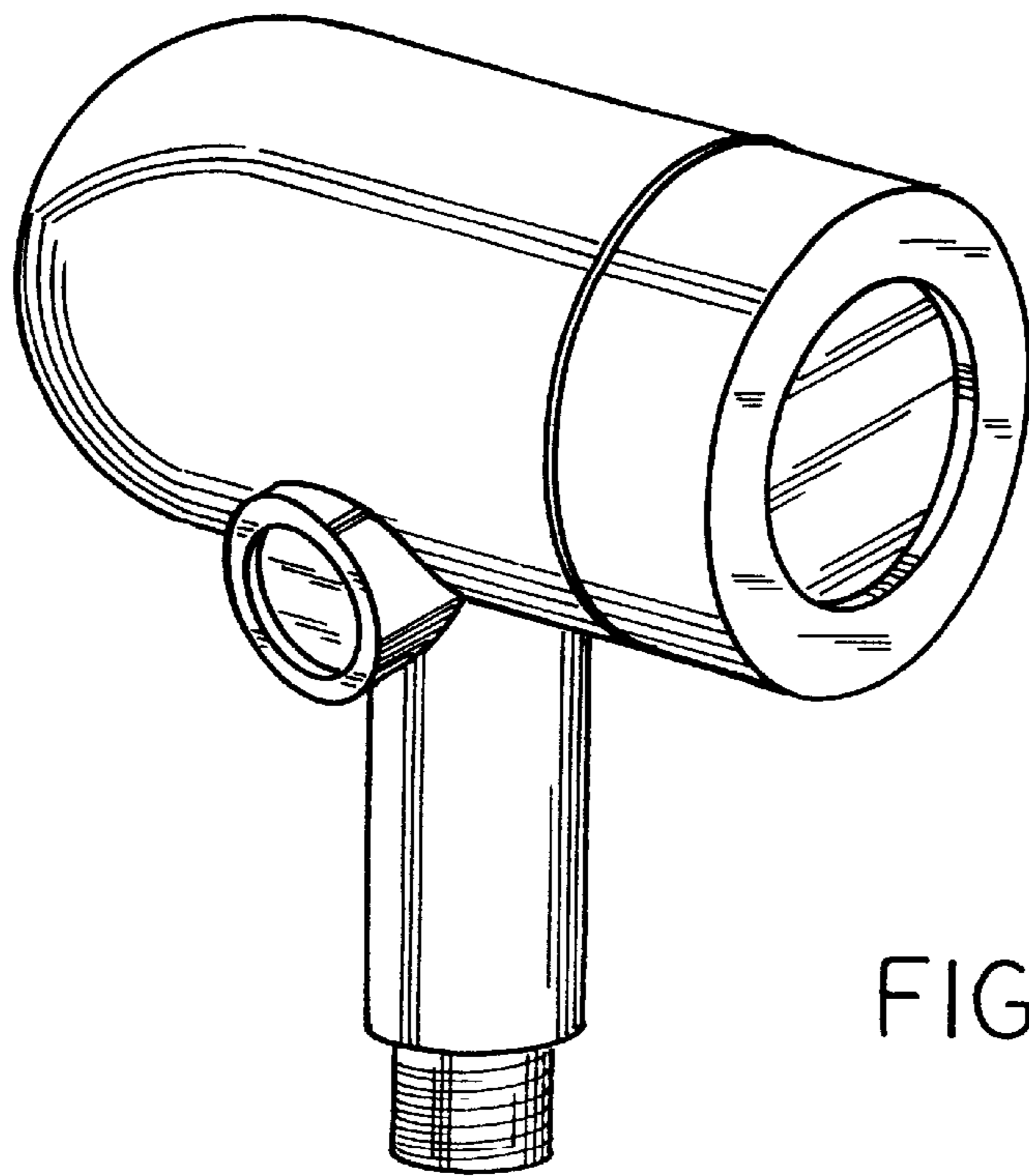


FIG. 1

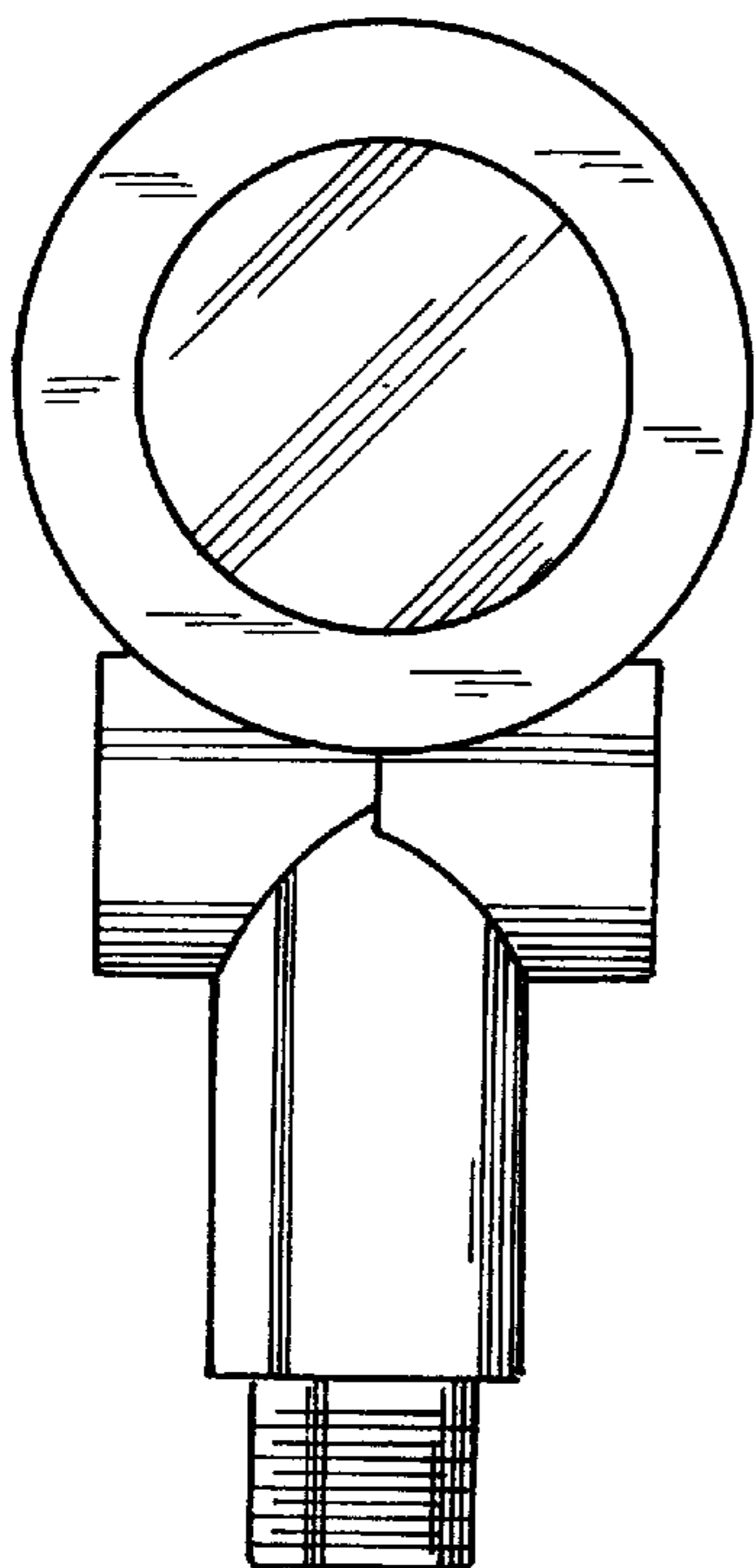


FIG. 2

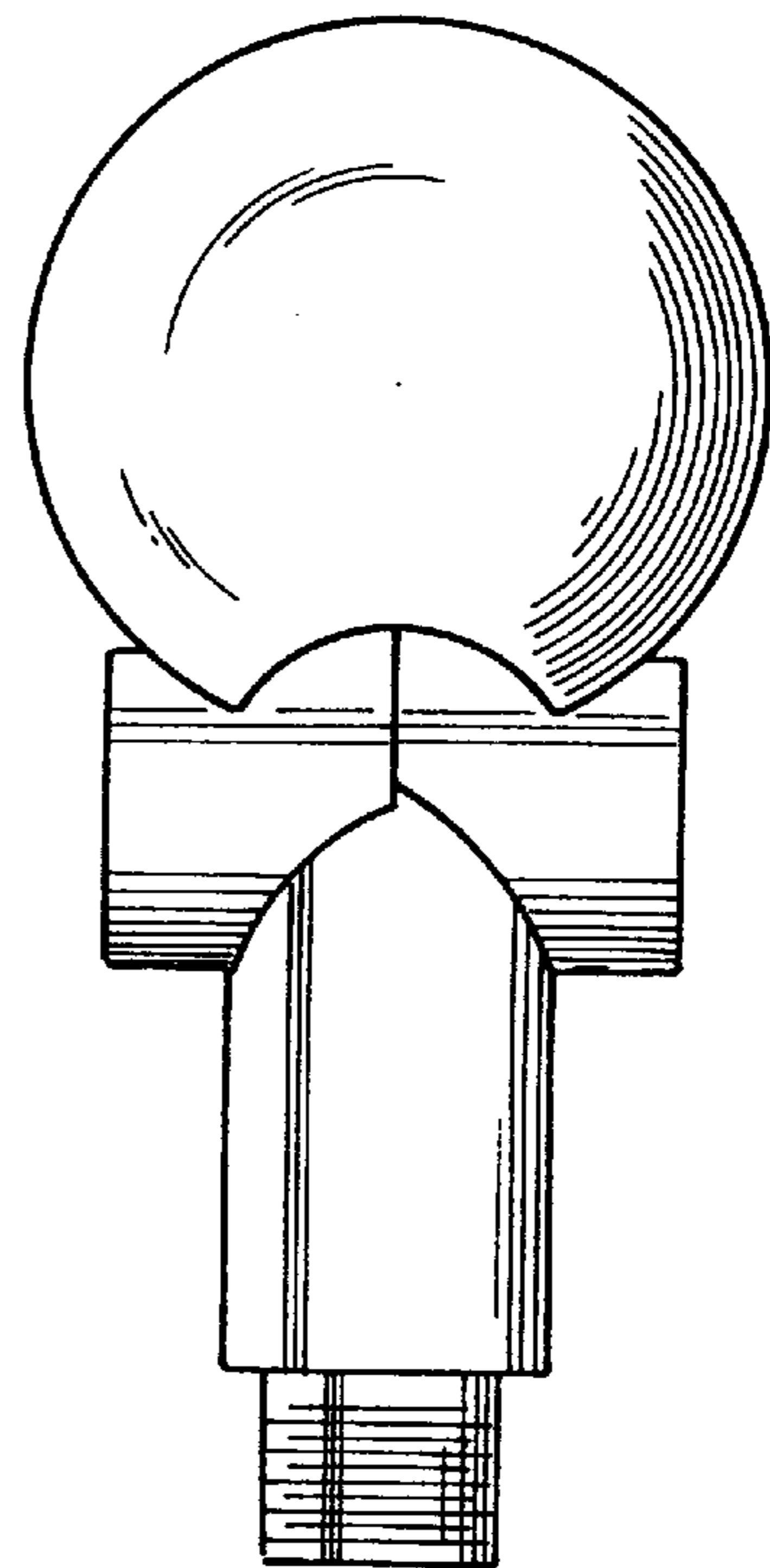


FIG. 3

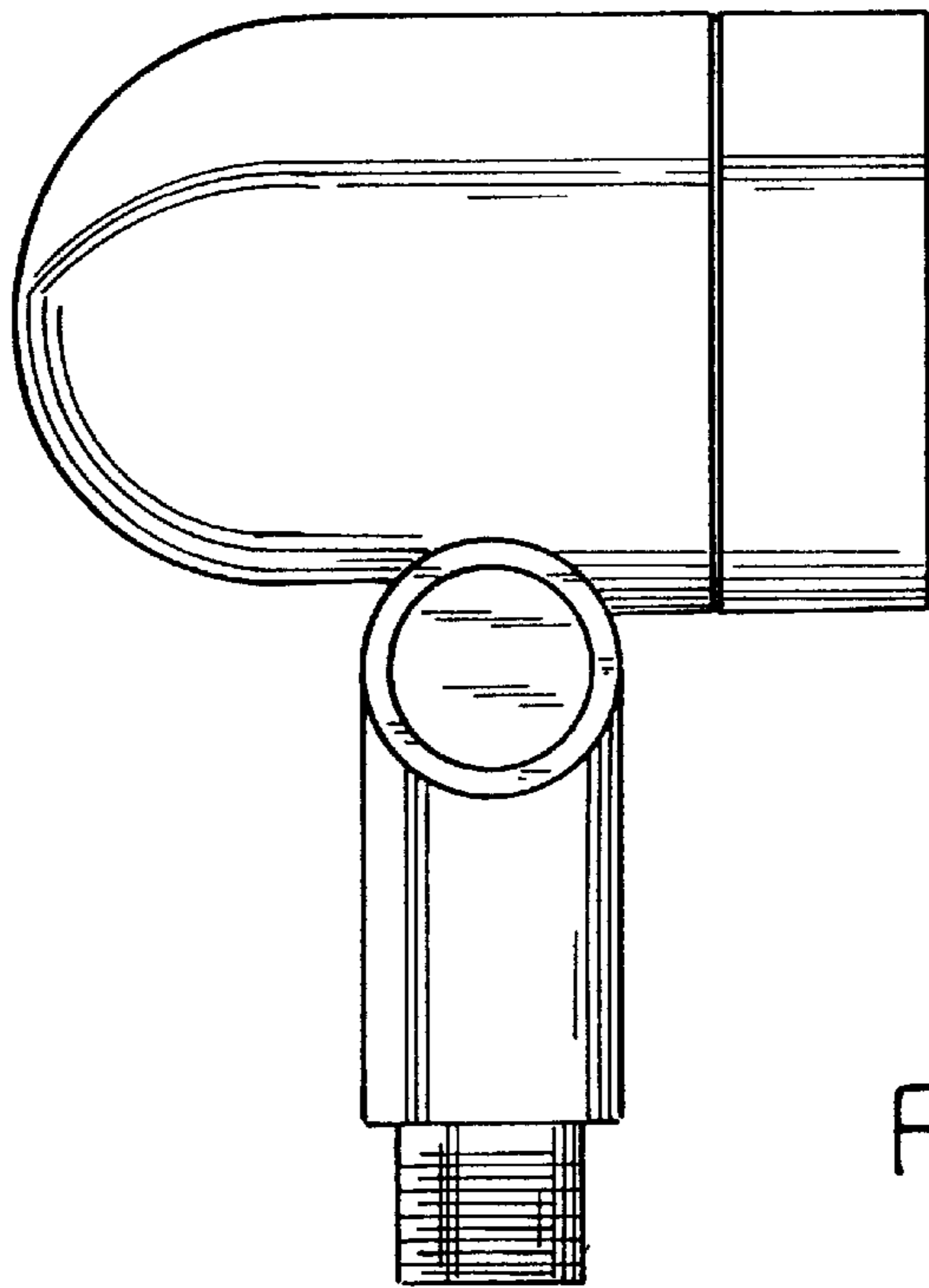


FIG. 4

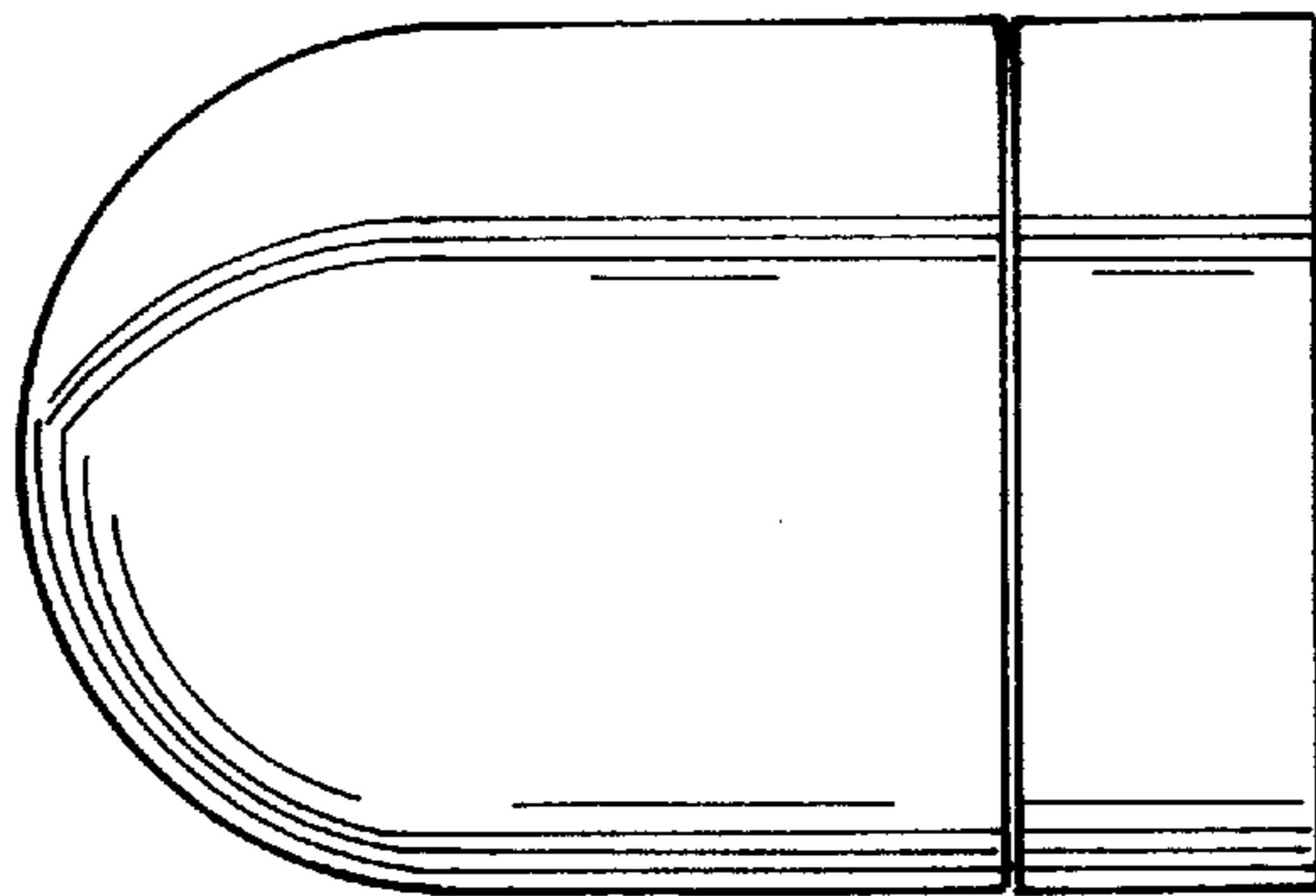


FIG. 5

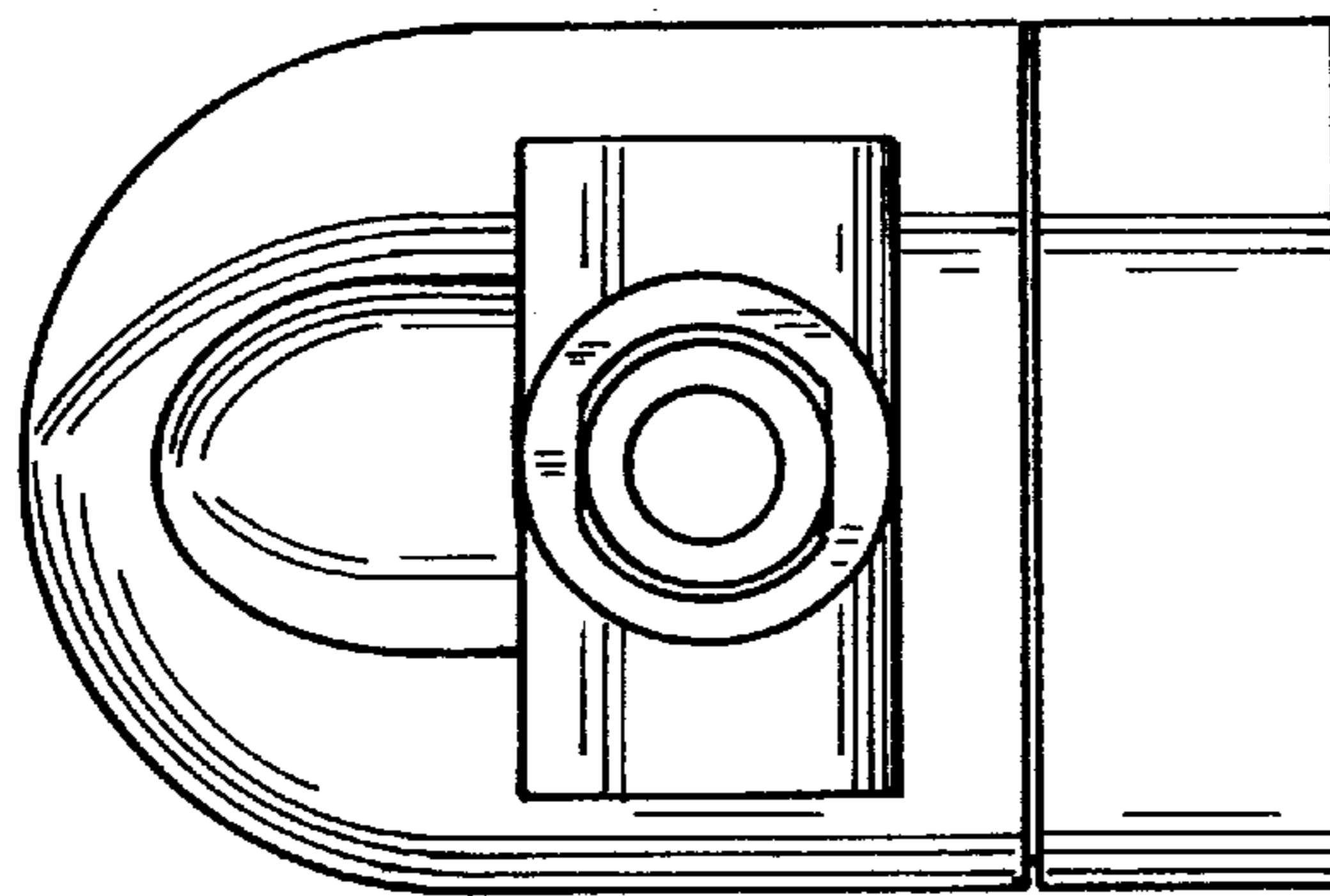


FIG. 6