



US00D399583S

# United States Patent [19]

Giese et al.

[11] **Patent Number: Des. 399,583**

[45] **Date of Patent: \*\*Oct. 13, 1998**

[54] **DIRECTIONAL FLOODLIGHT**

[75] Inventors: **Robert D. Giese; Eric J. Haugaard,**  
both of Kenosha, Wis.

[73] Assignee: **Ruud Lighting, Inc.,** Racine, Wis.

[\*\*] Term: **14 Years**

[21] Appl. No.: **80,548**

[22] Filed: **Dec. 2, 1997**

[51] **LOC (6) Cl. .... 26-05**

[52] **U.S. Cl. .... D26/63**

[58] **Field of Search** ..... D26/61, 63, 65,  
D26/24; 362/269, 275, 285-287, 418, 419,  
427, 430, 428

[56] **References Cited**

**PUBLICATIONS**

Crest lighting catalog, single page, track light, 1991.  
Max International Flyer, single sheet, spotlight with pivot,  
1989.

L.E. Mason Co. Red Dot Sitelight Swivel Light Installation  
Instructions 1995.

L. E. Mason Co. Red Dot Sitelight Wall Spot Light Instal-  
lation Instructions 1995.

*Primary Examiner*—Susan J. Lucas  
*Attorney, Agent, or Firm*—Jansson, Shupe, Bridge &  
Munger, Ltd.

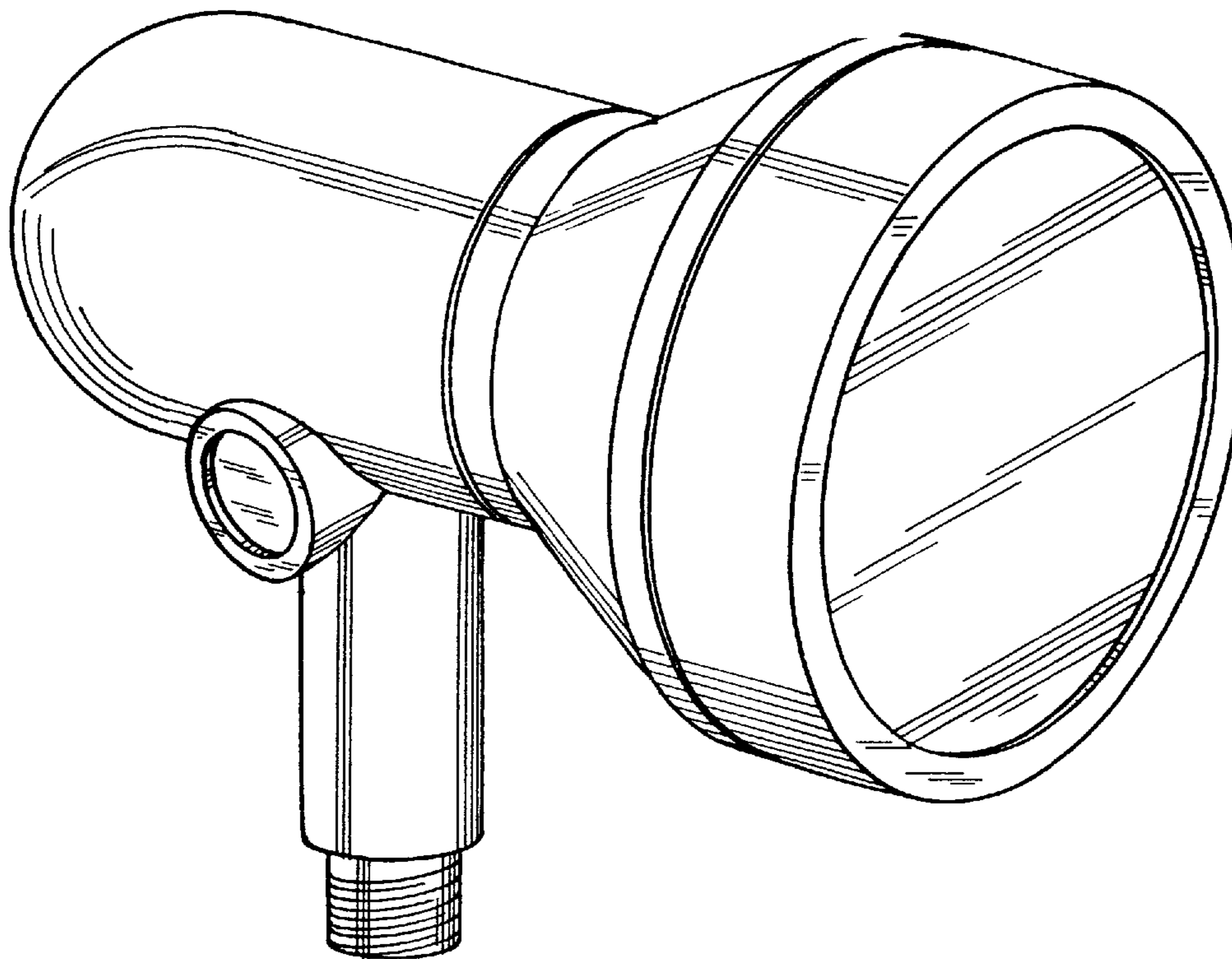
[57] **CLAIM**

The ornamental design for a directional floodlight, as shown  
and described.

**DESCRIPTION**

FIG. 1 is a perspective view of the directional floodlight;  
FIG. 2 is a front elevational view of the directional flood-  
light;  
FIG. 3 is a rear elevational view of the directional floodlight;  
FIG. 4 is a side elevational view of the directional floodlight,  
the other side elevation view being a mirror image thereof;  
FIG. 5 is a top plan view of the directional floodlight; and,  
FIG. 6 is a bottom plan view of the directional floodlight.

**1 Claim, 3 Drawing Sheets**



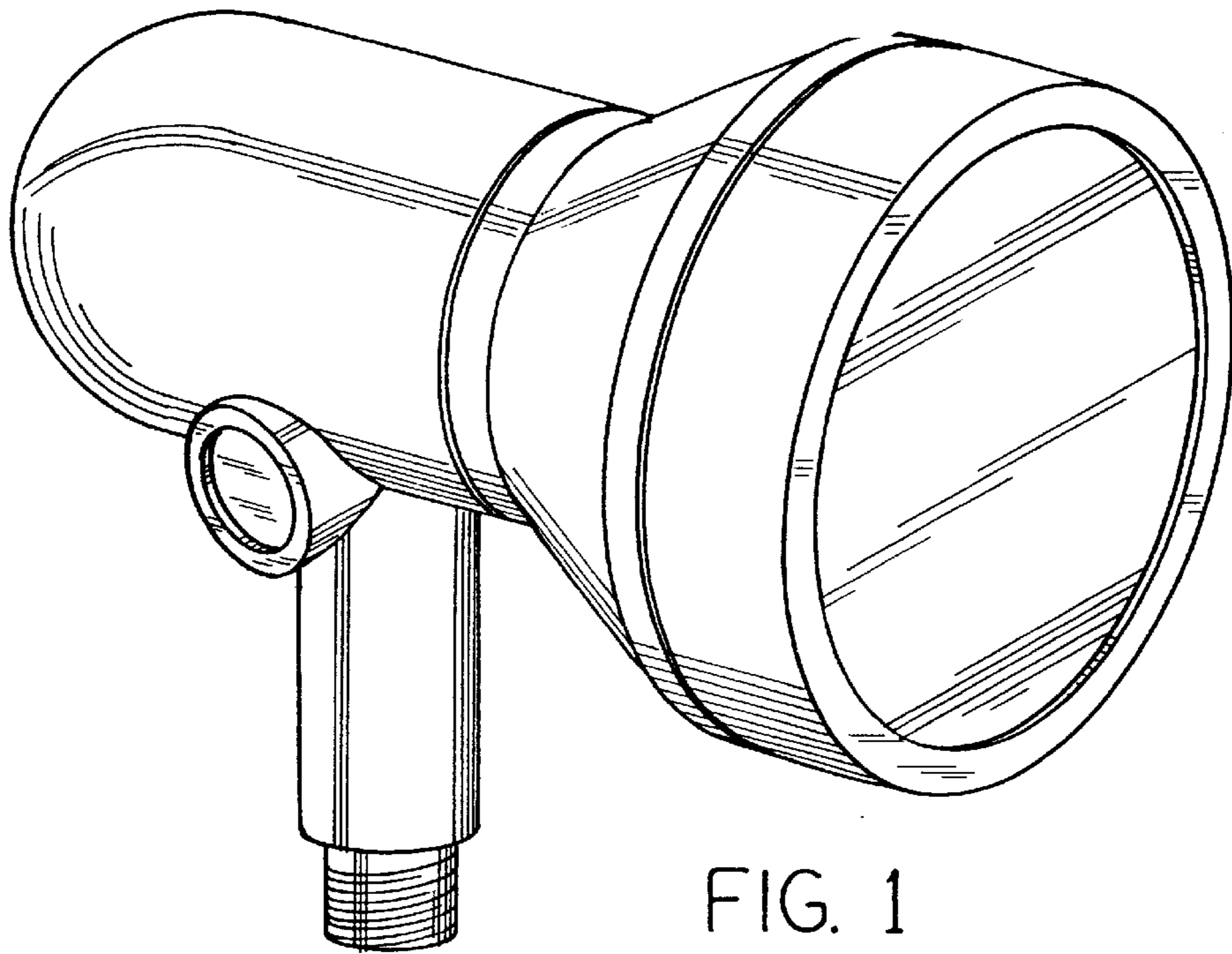


FIG. 1

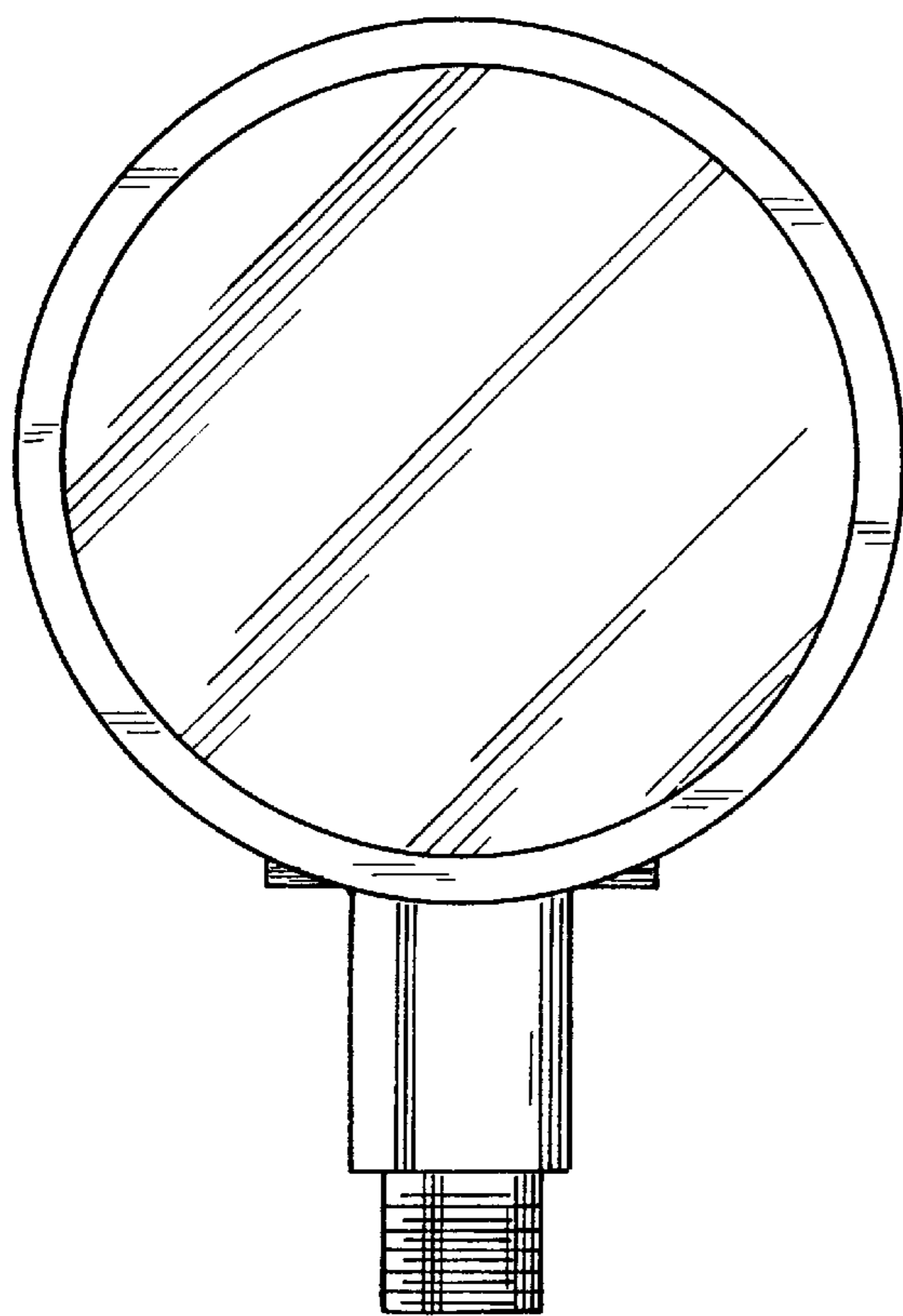


FIG. 2

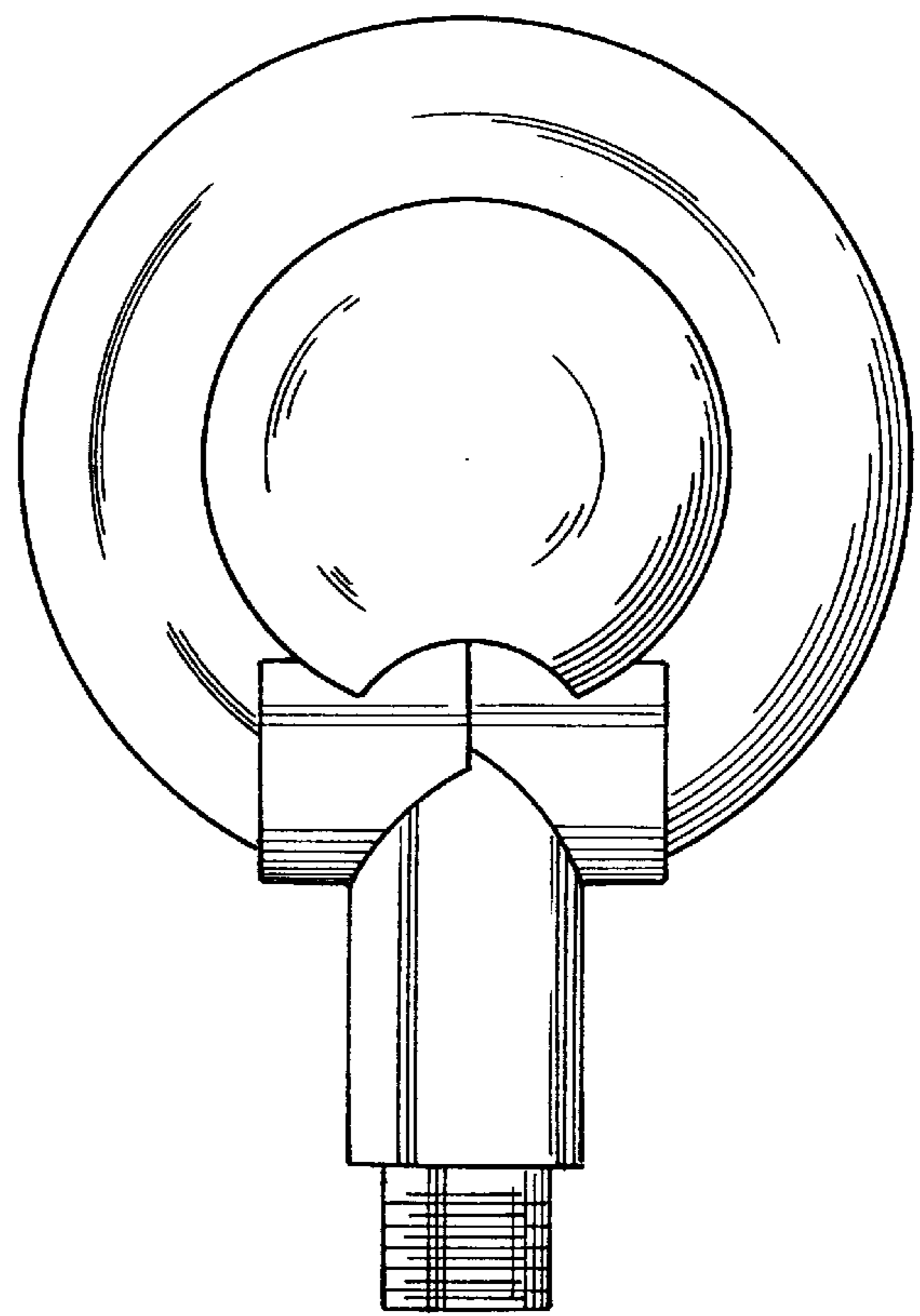


FIG. 3

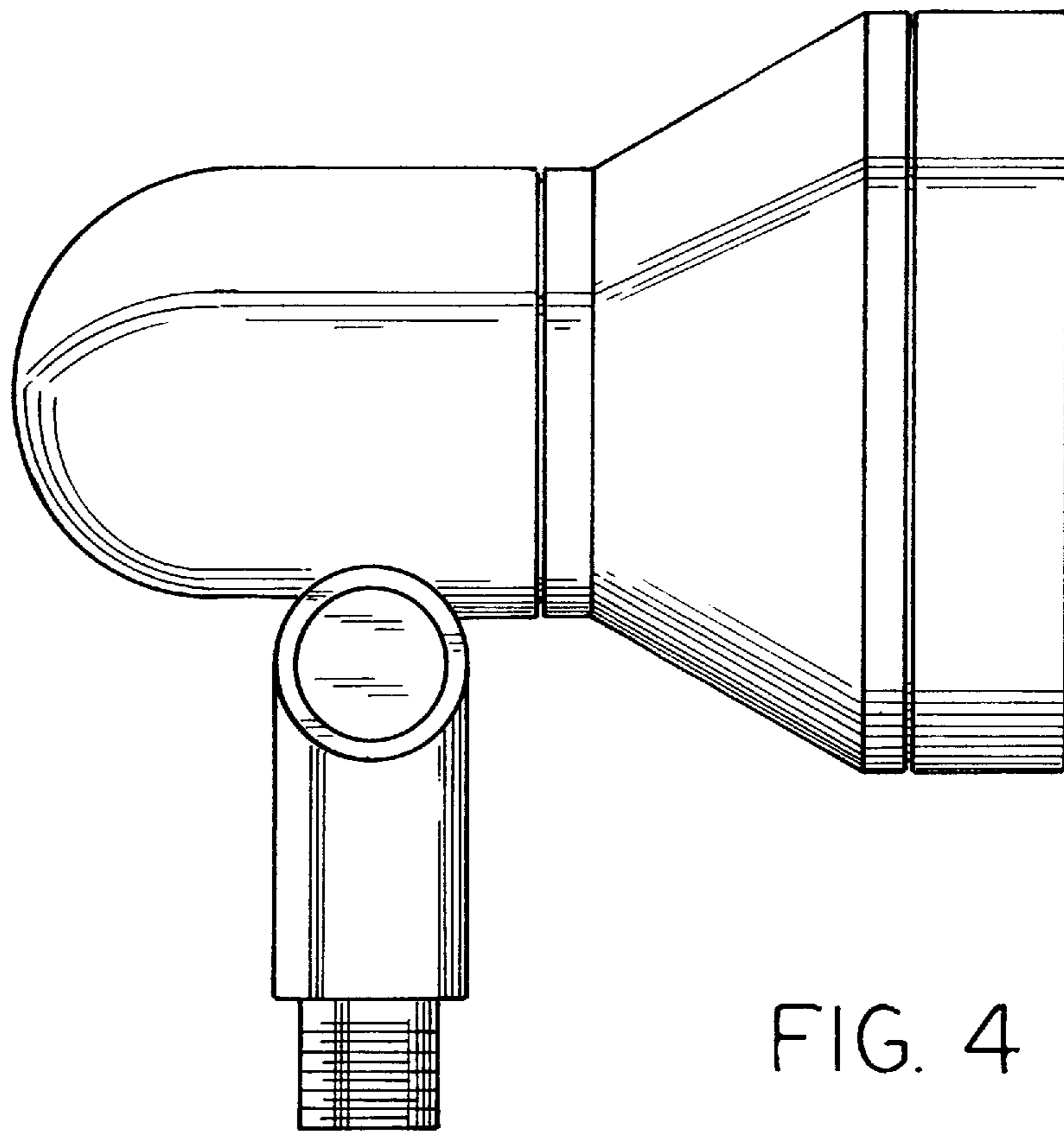


FIG. 4

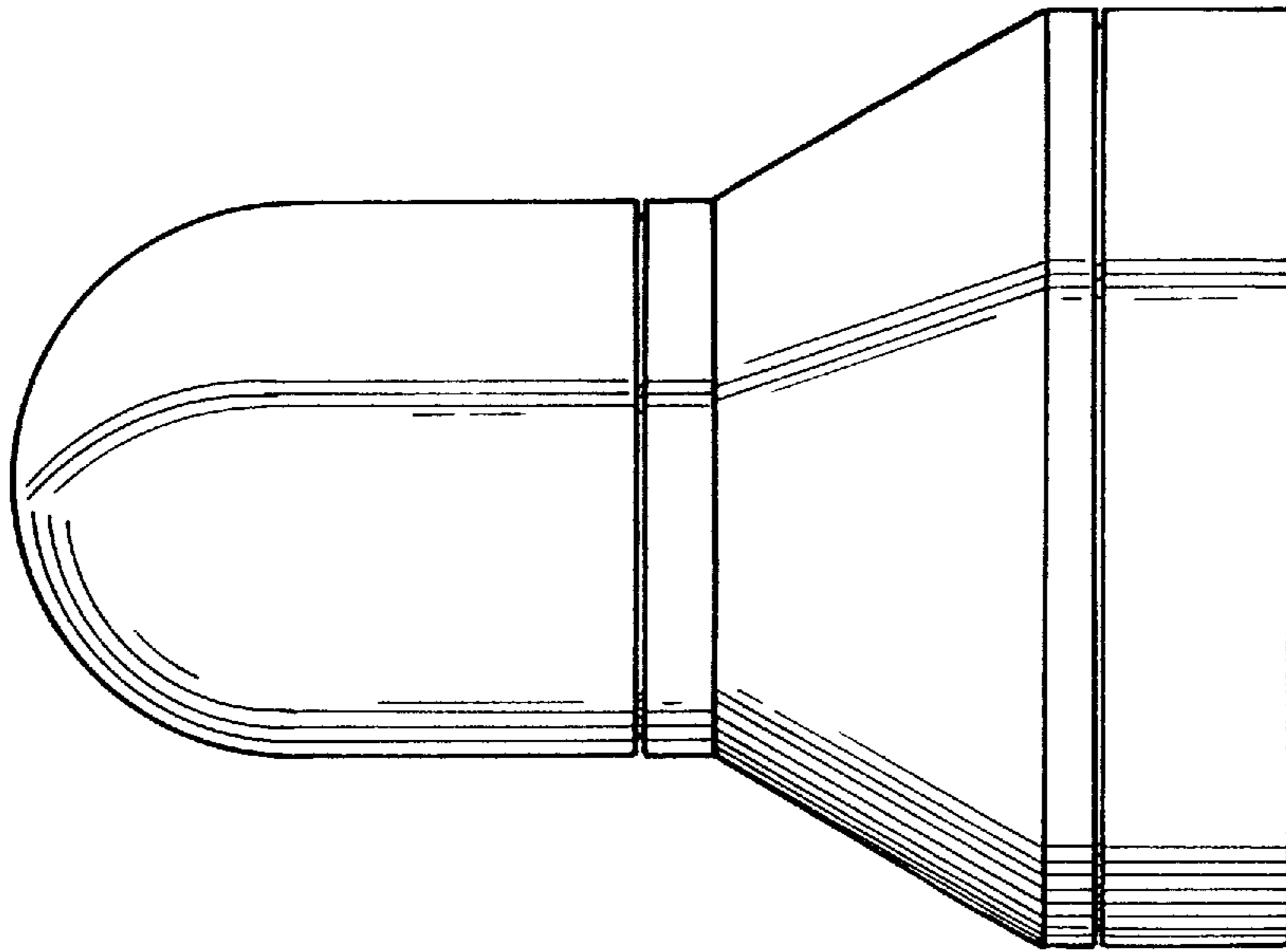


FIG. 5

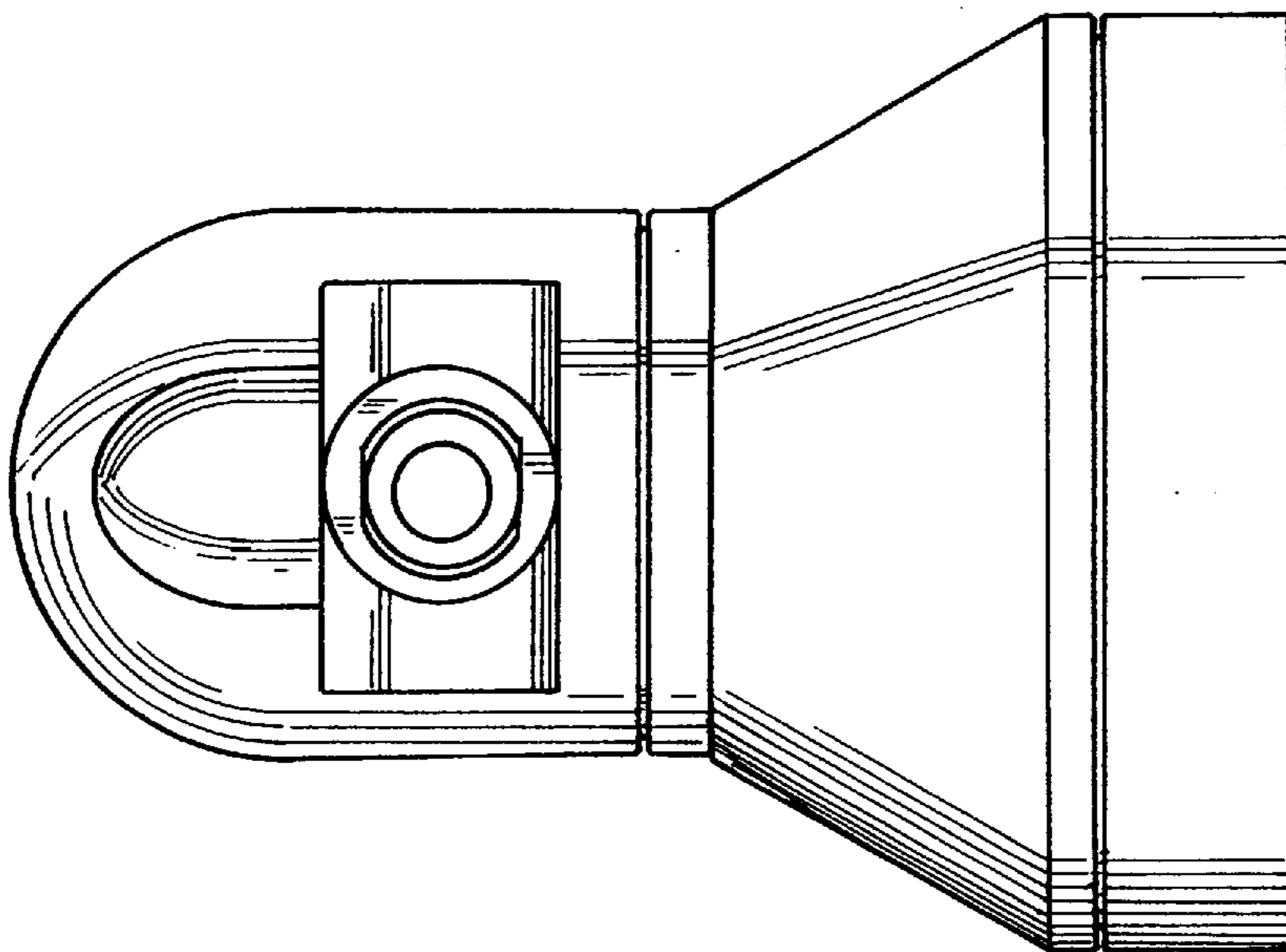


FIG. 6