



US00D399582S

United States Patent [19]
Mariani

[11] **Patent Number: Des. 399,582**

[45] **Date of Patent: **Oct. 13, 1998**

[54] **RECHARGEABLE HAND LANTERN**

2,628,305 2/1953 Talbot et al. D26/50

[75] Inventor: **Henry J. Mariani**, Little Rock, Ark.

OTHER PUBLICATIONS

Nite Lite Products Catalog, p. 10.

[73] Assignee: **The Nite Lite Company**, Little Rock, Ark.

Primary Examiner—Marcus A. Jackson
Attorney, Agent, or Firm—Robert R. Keegan; Head,
Johnson & Kachigian

[**] Term: **14 Years**

[21] Appl. No.: **79,730**

[57] **CLAIM**

The ornamental design for a rechargeable hand lantern, as shown and described.

[22] Filed: **Nov. 20, 1997**

[51] **LOC (6) Cl.** **26-02**

[52] **U.S. Cl.** **D26/50**

[58] **Field of Search** D26/37-50; 36/157,
36/158, 183-208

DESCRIPTION

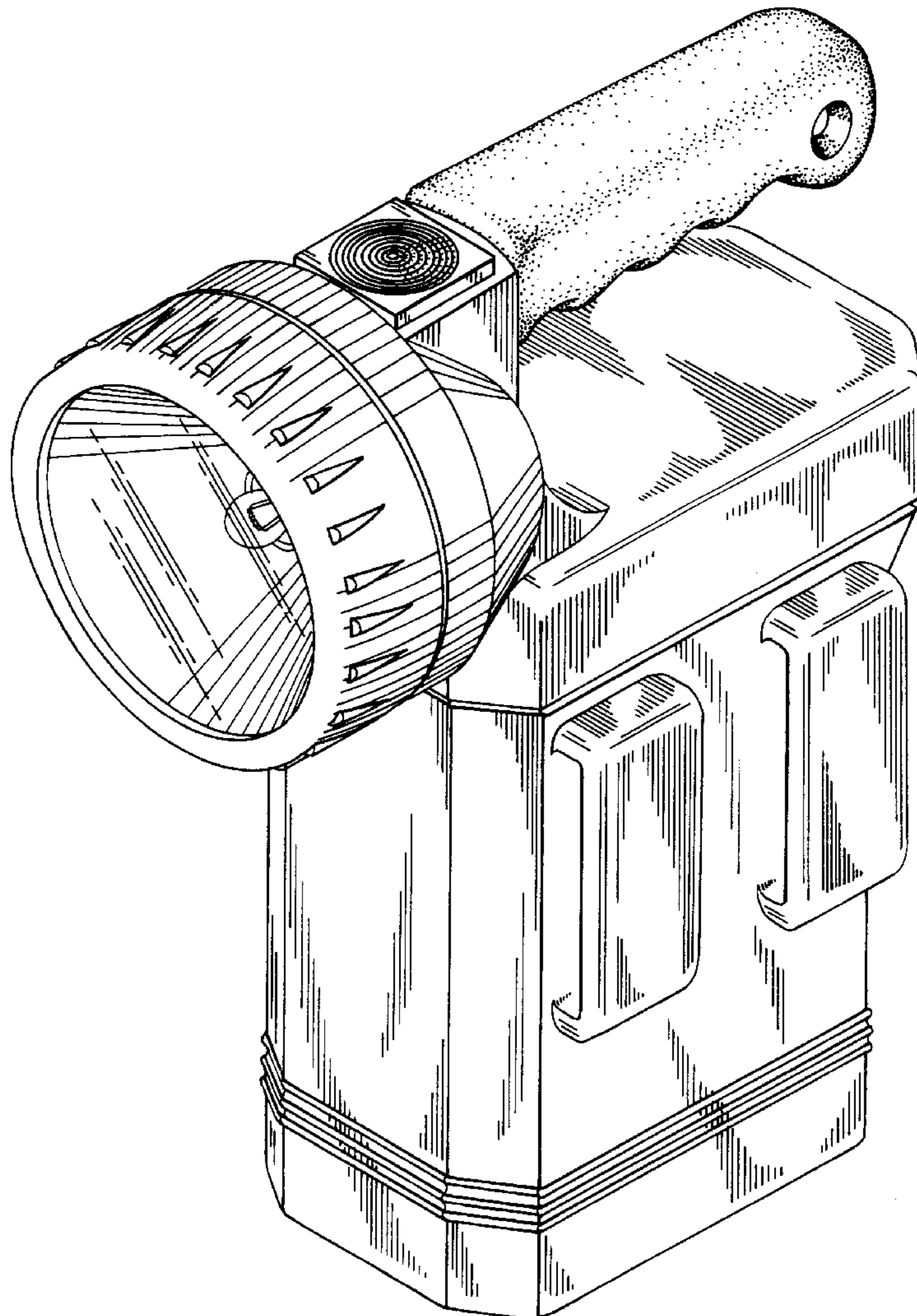
FIG. 1 is a front perspective view of a rechargeable hand lantern showing my new design;
FIG. 2 is a front elevational view thereof;
FIG. 3 is a left side elevational view thereof;
FIG. 4 is a rear elevational view thereof;
FIG. 5 is a right side elevational view thereof;
FIG. 6 is a top plan view thereof; and,
FIG. 7 is a bottom plan view thereof.

[56] **References Cited**

U.S. PATENT DOCUMENTS

D. 46,427	9/1914	Brownrigg et al.	D26/50
D. 52,391	9/1918	Grether	D26/50
D. 53,240	4/1919	Grether	D26/50
D. 203,216	12/1965	Rhoades	D26/50
D. 376,864	12/1996	Yuen	D26/50

1 Claim, 4 Drawing Sheets



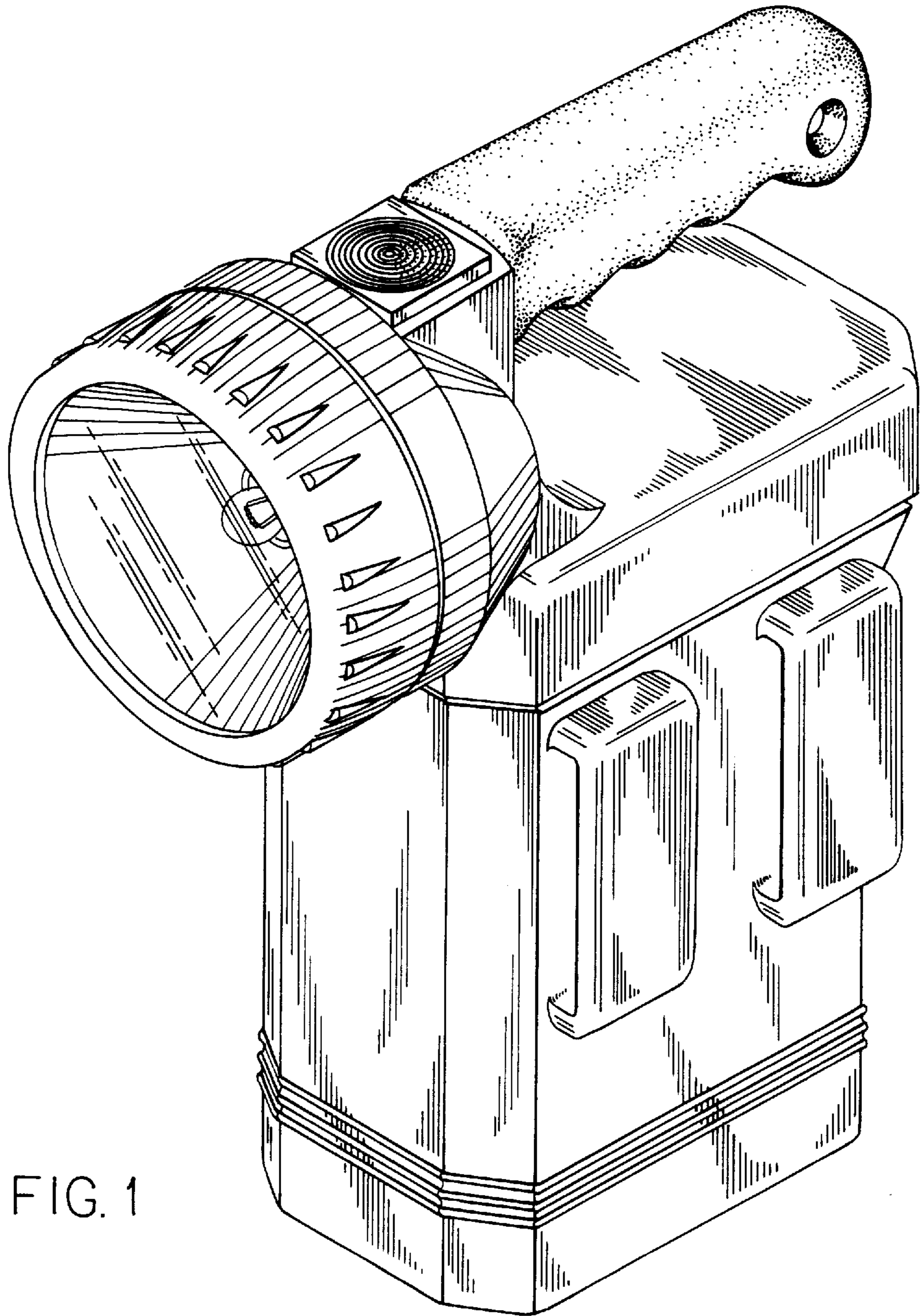


FIG. 1

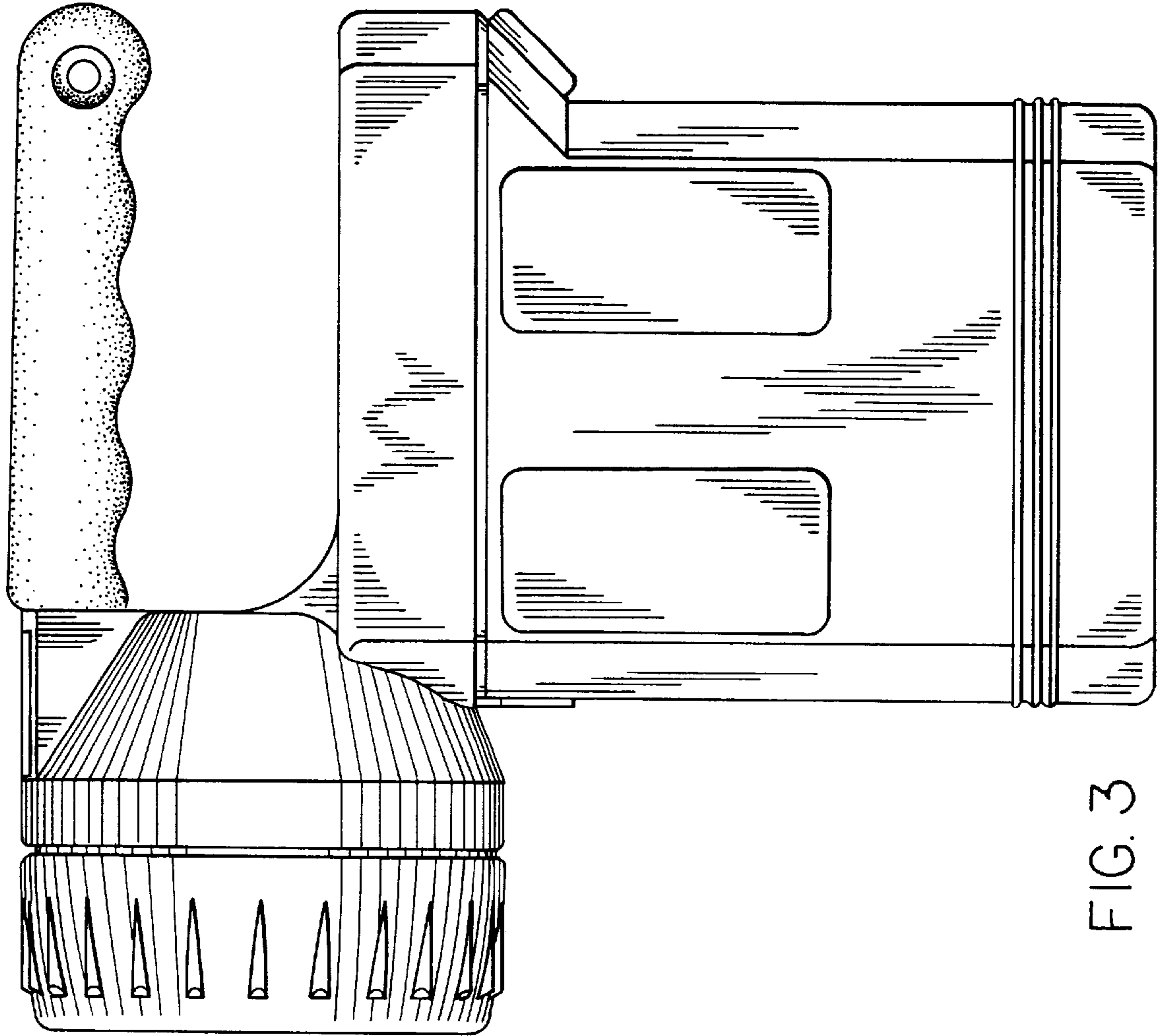


FIG. 3

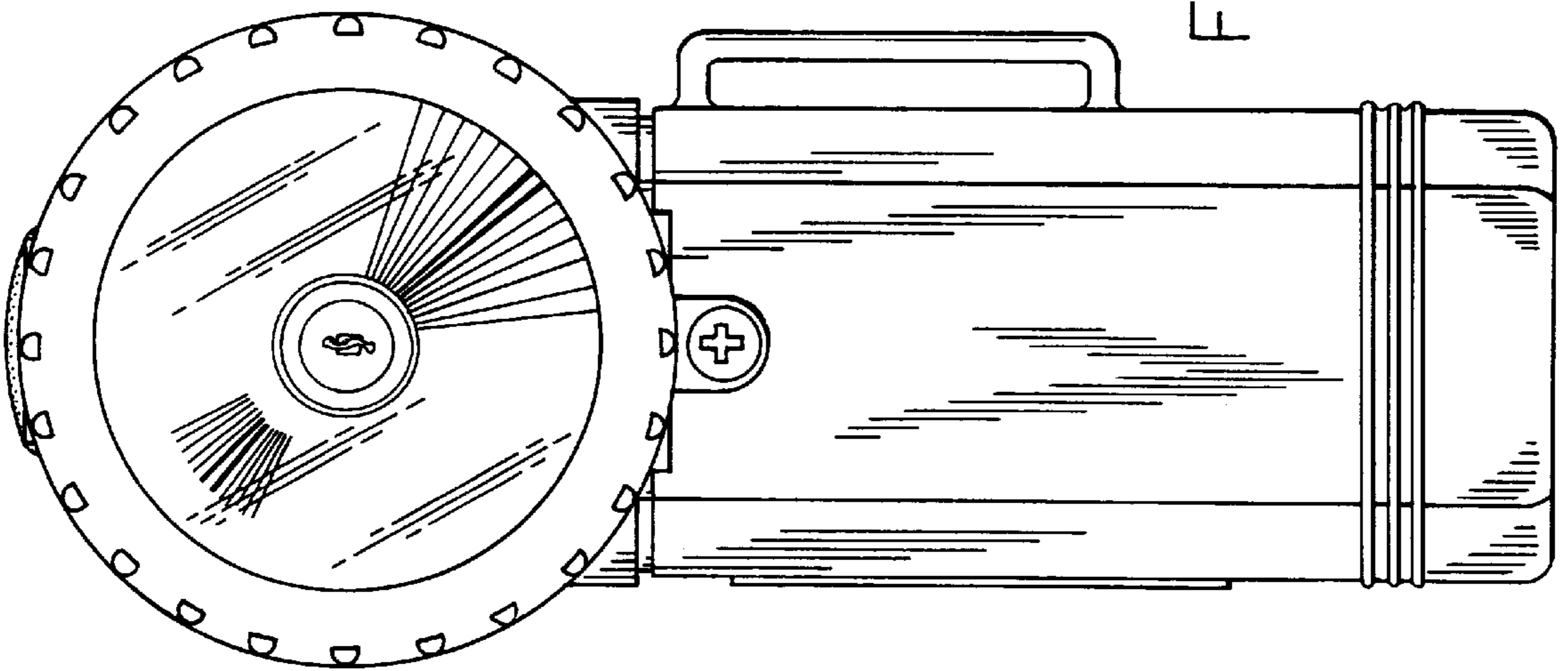


FIG. 2

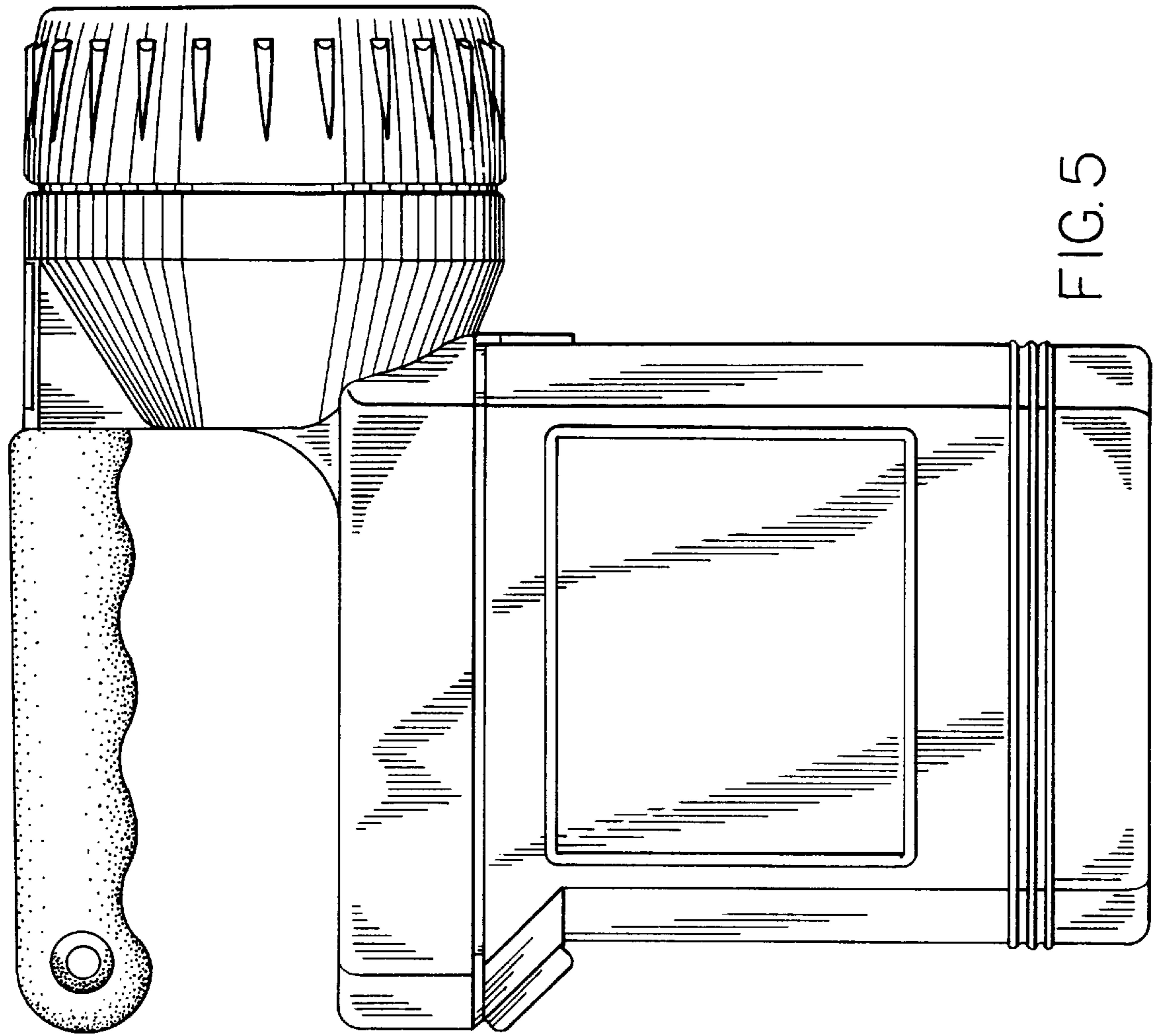


FIG. 5

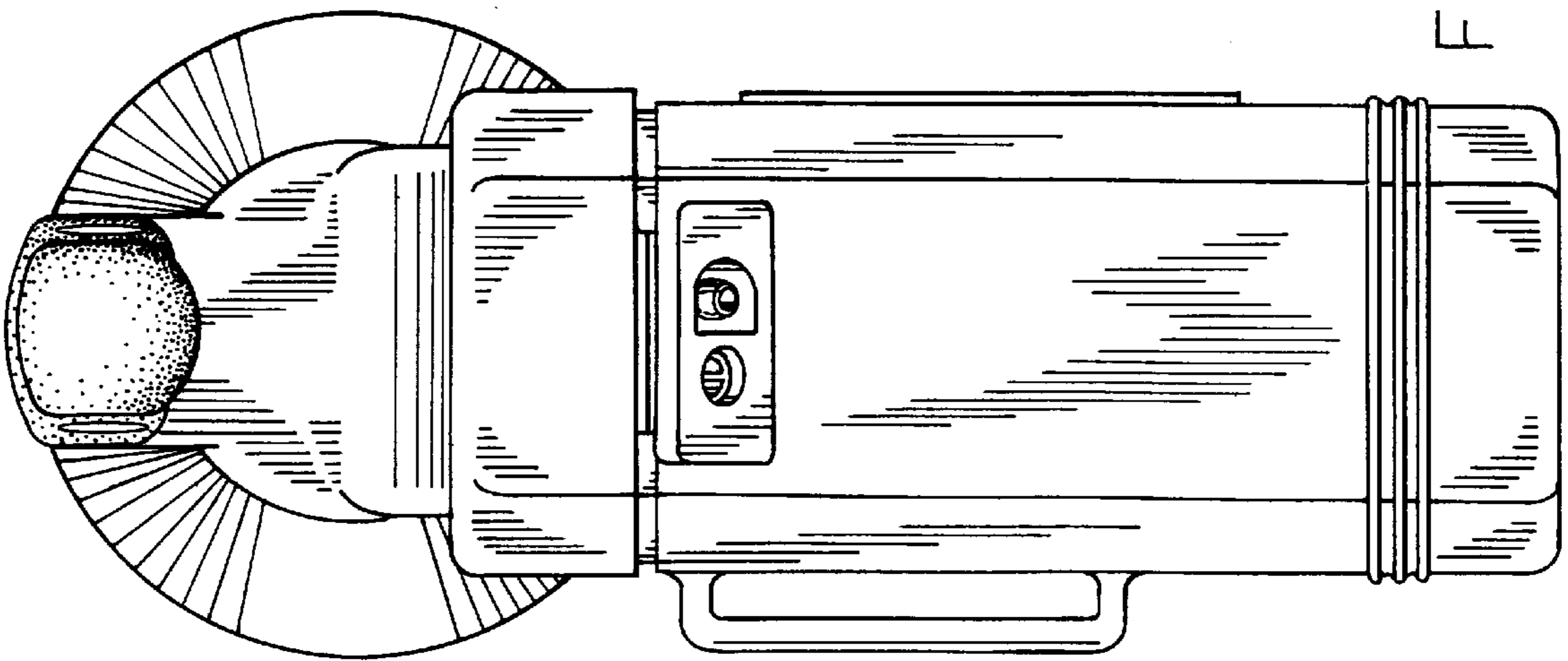


FIG. 4

FIG. 6

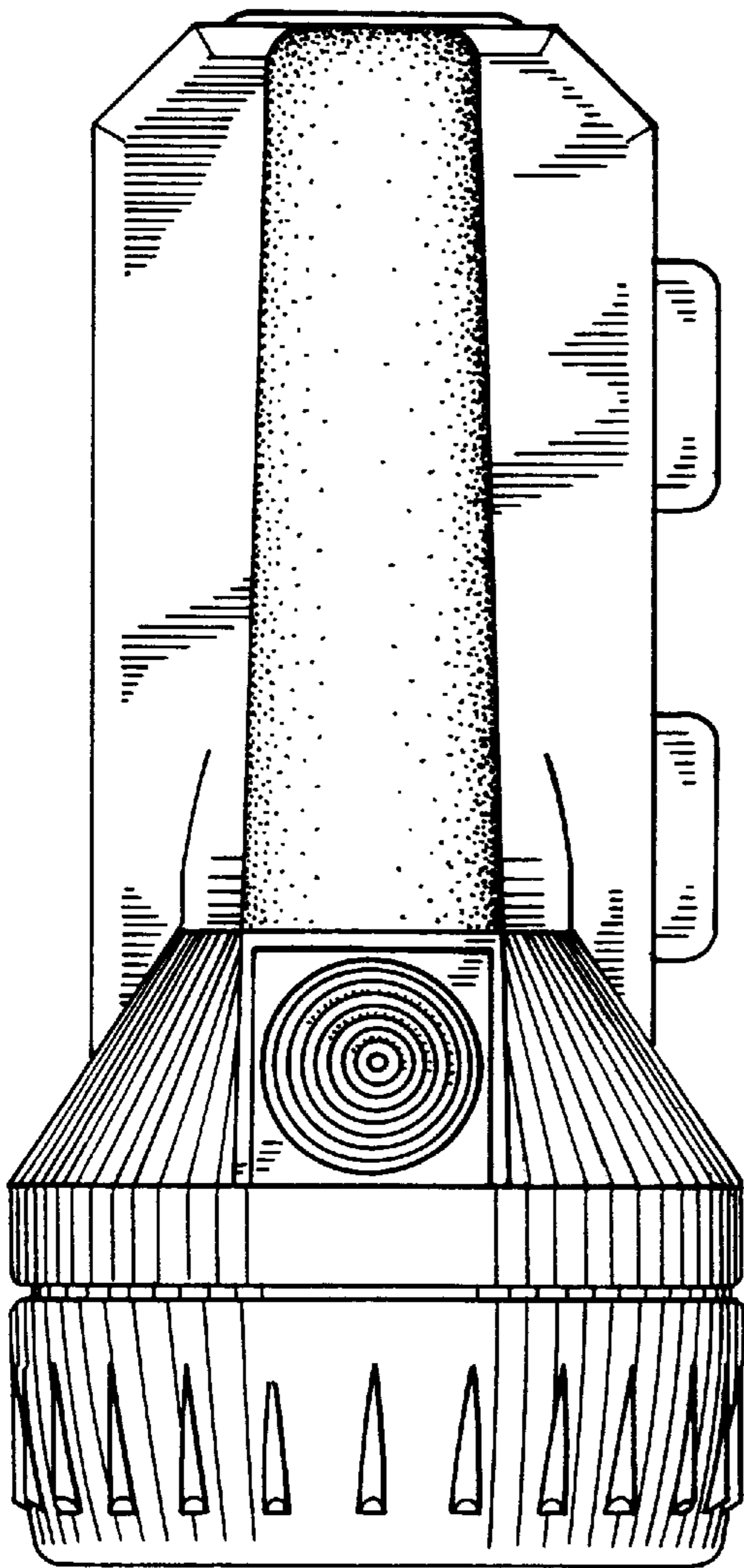


FIG. 7

