



US00D399581S

# United States Patent [19]

Giese et al.

[11] Patent Number: **Des. 399,581**

[45] Date of Patent: **\*\*Oct. 13, 1998**

[54] **DIRECTIONAL FLOODLIGHT**

D. 311,591 10/1990 Jones et al. .... D26/44

[75] Inventors: **Robert D. Giese; Eric J. Haugaard,**  
both of Kenosha, Wis.

*Primary Examiner*—Marcus A. Jackson  
*Attorney, Agent, or Firm*—Jansson, Shupe, Bridge &  
Munger, Ltd.

[73] Assignee: **Ruud Lighting, Inc.,** Racine, Wis.

[\*\*] Term: **14 Years**

### [57] CLAIM

[21] Appl. No.: **80,551**

The ornamental design for directional floodlight, as shown  
and described.

[22] Filed: **Dec. 2, 1997**

### DESCRIPTION

[51] **LOC (6) Cl.** ..... **26-02**

[52] **U.S. Cl.** ..... **D26/46**

[58] **Field of Search** ..... D26/37-50; 362/157,  
362/158, 183-191, 194-203

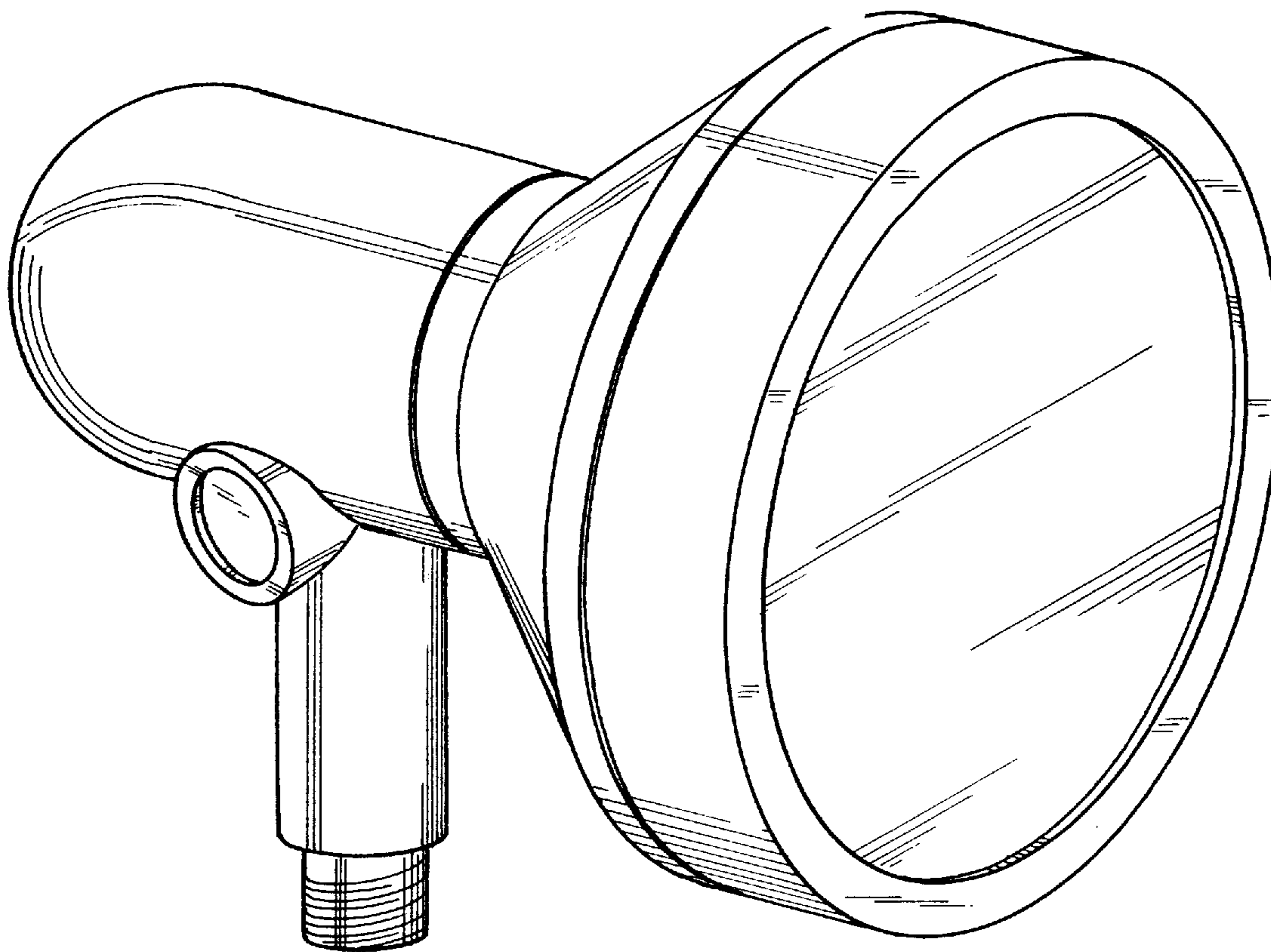
FIG. 1 is a perspective view of the directional floodlight;  
FIG. 2 is a front elevation view of the directional floodlight;  
FIG. 3 is a rear elevation view of the directional floodlight;  
FIG. 4 is a side elevation view of the directional floodlight,  
the other side elevation view being a mirror image thereof;  
FIG. 5 is a top plan view of the directional floodlight; and,  
FIG. 6 is a bottom plan view of the directional floodlight.

### [56] References Cited

#### U.S. PATENT DOCUMENTS

D. 298,058 10/1988 Hosick ..... D26/44

**1 Claim, 3 Drawing Sheets**



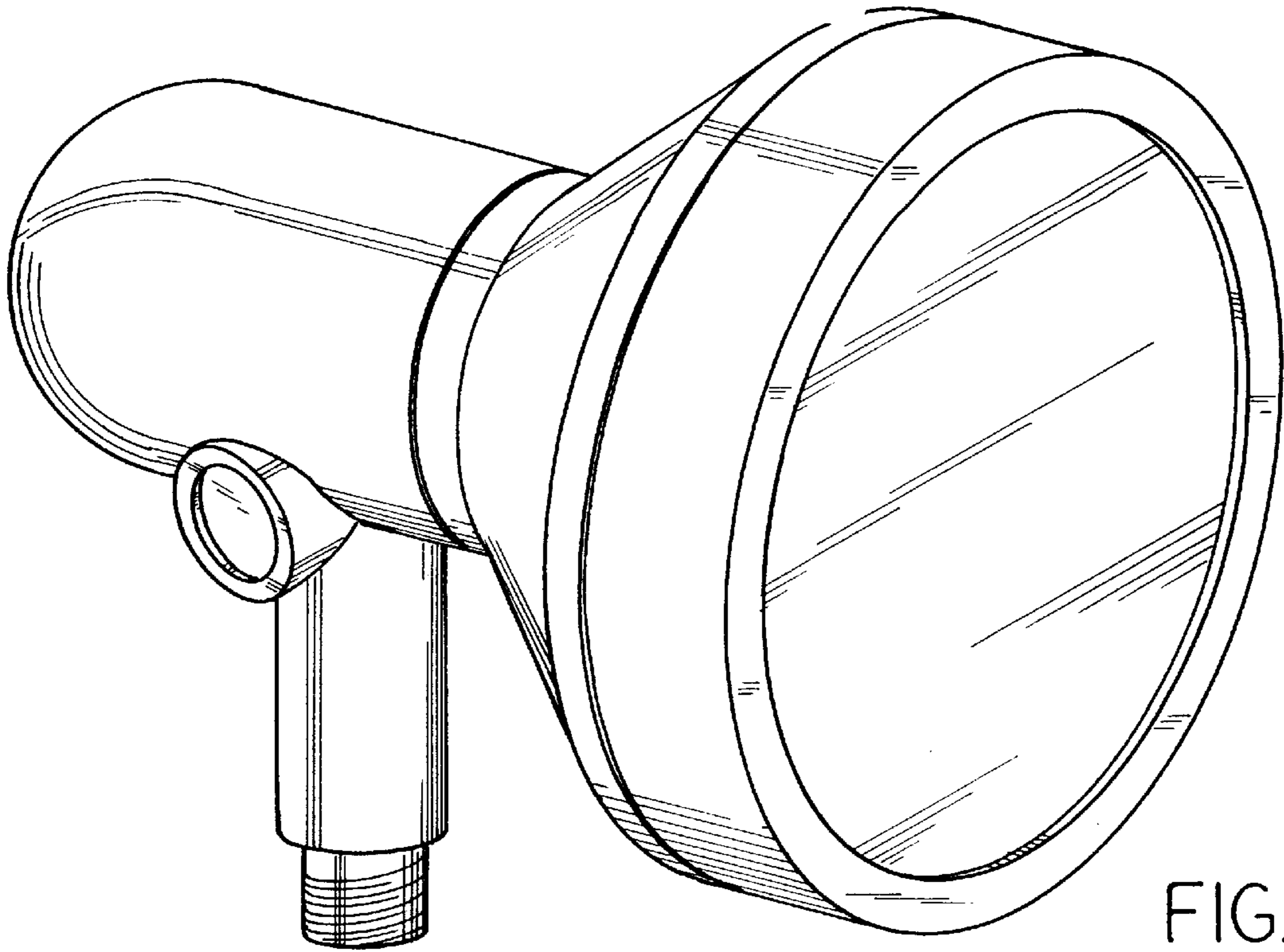


FIG. 1

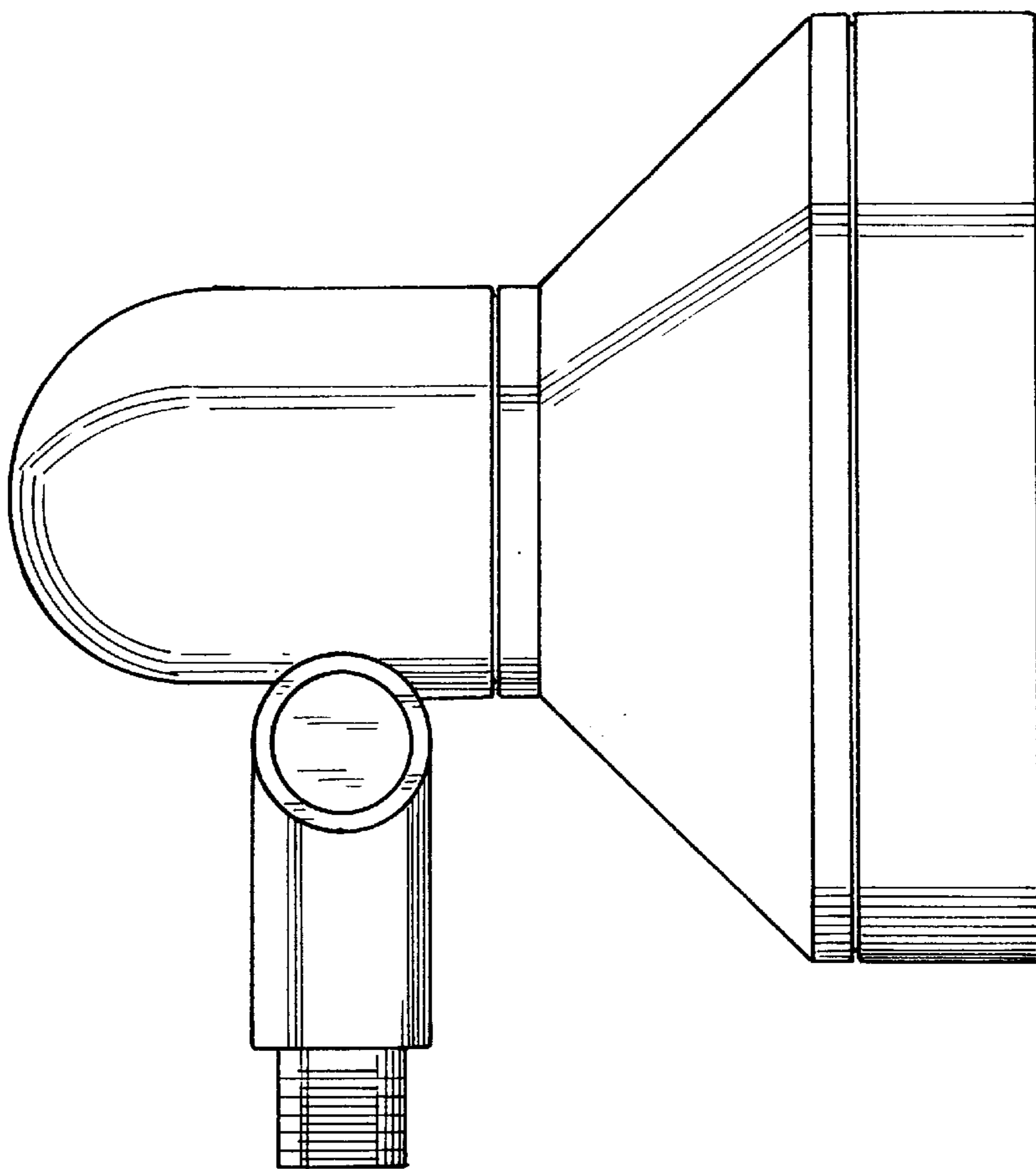


FIG. 4

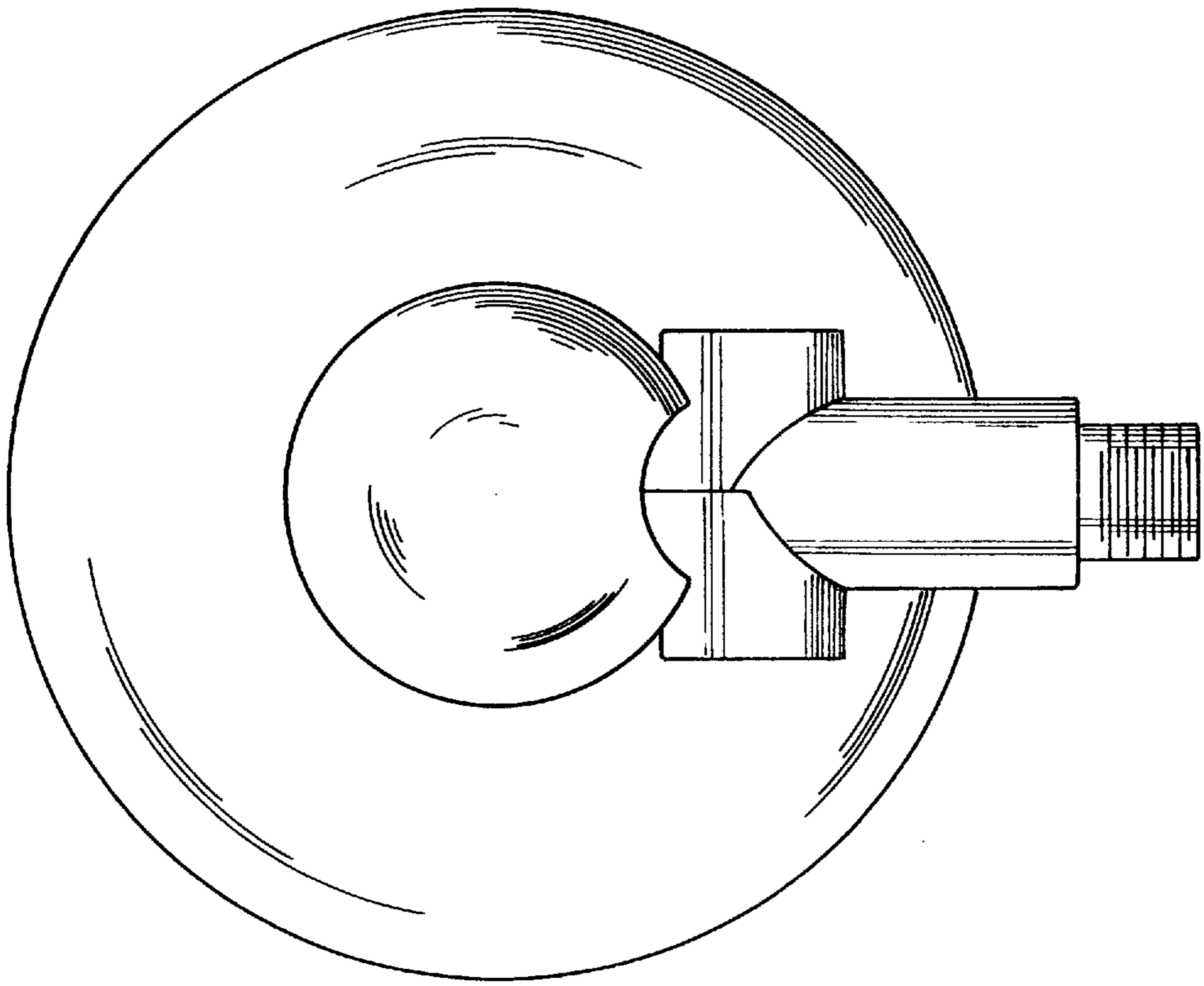


FIG. 3

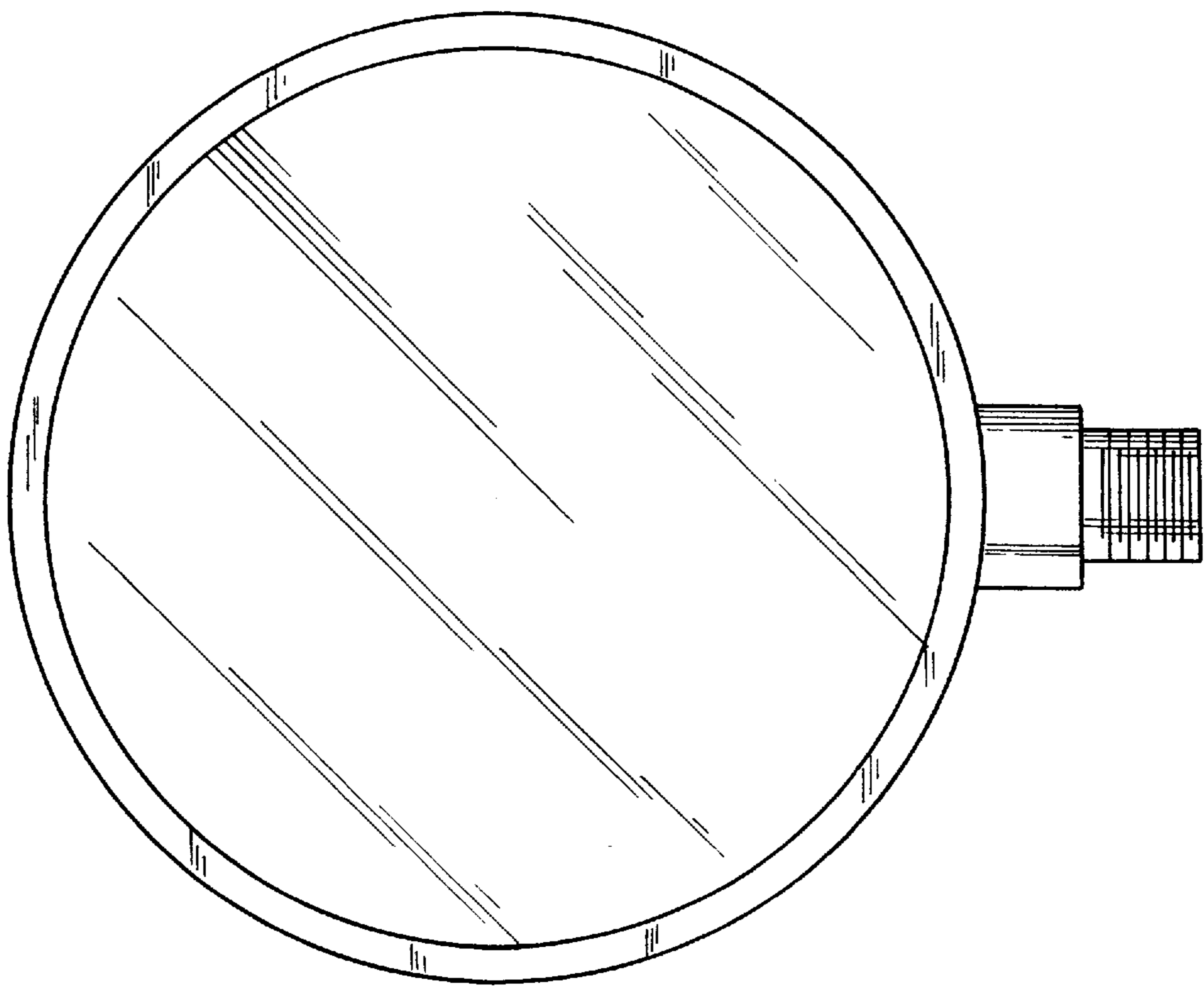


FIG. 2

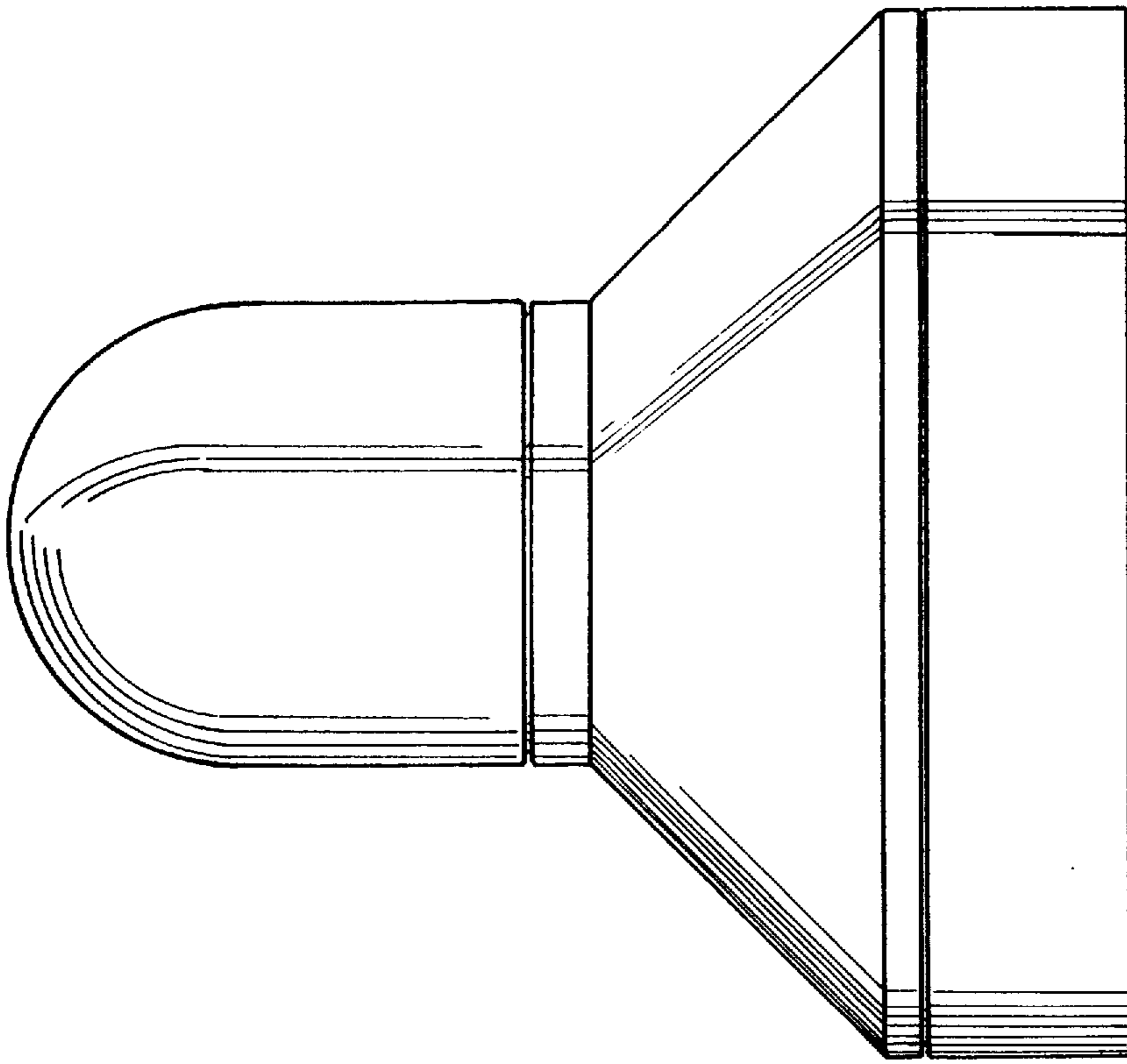


FIG. 5

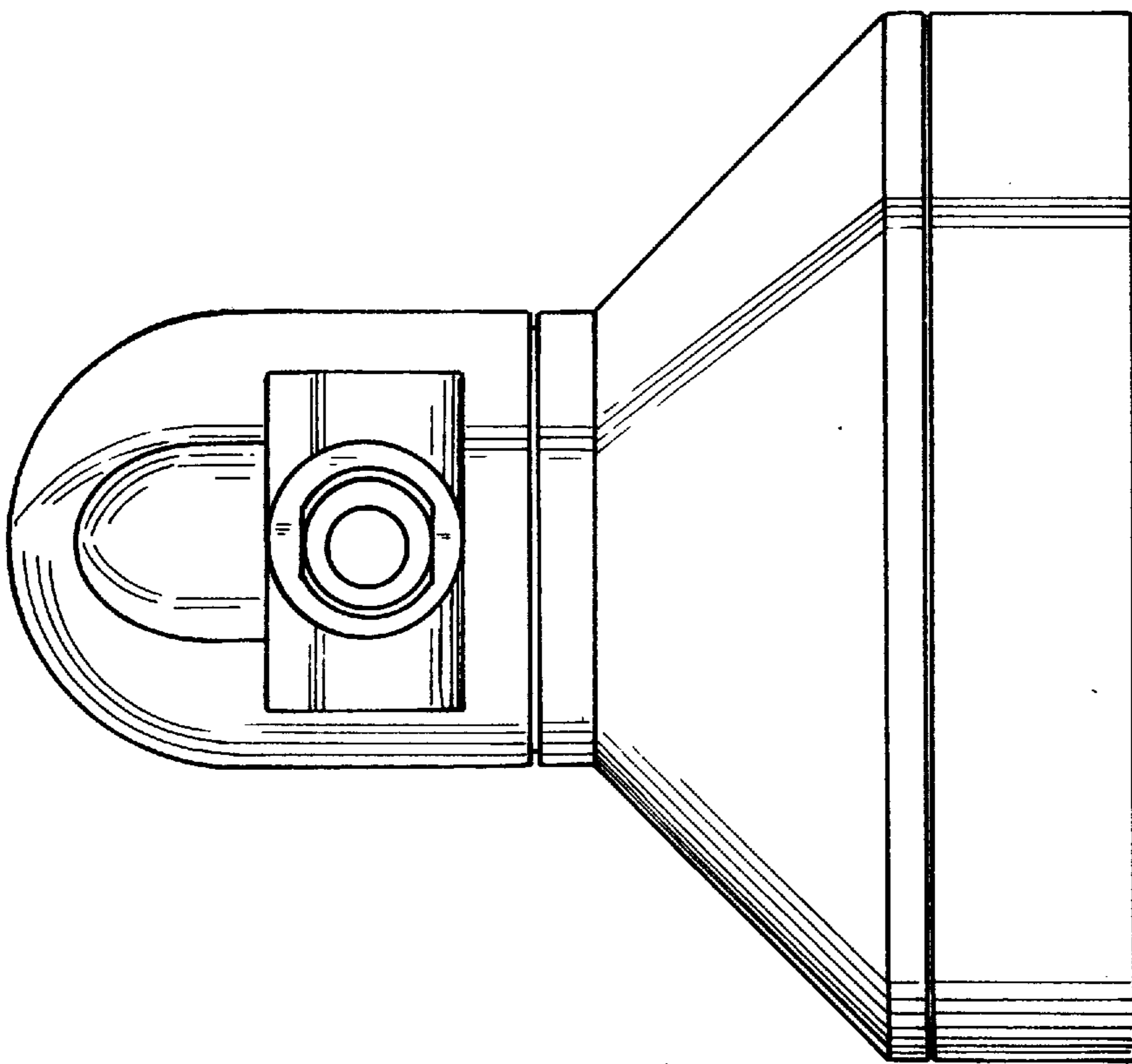


FIG. 6