



US00D399580S

# United States Patent [19] Feinbloom

[11] **Patent Number: Des. 399,580**

[45] **Date of Patent: \*\*Oct. 13, 1998**

[54] **DELUXE SURGICAL HEAD LIGHT**

[75] Inventor: **Richard E. Feinbloom**, New York, N.Y.

[73] Assignee: **Designs For Vision, Inc.**, Ronkonkoma, N.Y.

[\*\*] Term: **14 Years**

[21] Appl. No.: **79,721**

[22] Filed: **Nov. 21, 1997**

[51] **LOC (6) Cl. .... 26-02**

[52] **U.S. Cl. .... D26/39**

[58] **Field of Search** ..... D26/37-50; 362/158, 362/183, 184, 187-191, 194-200, 202, 103, 105

[56] **References Cited**

**U.S. PATENT DOCUMENTS**

- D. 238,958 2/1976 Feinbloom ..... D26/39
- D. 266,192 9/1982 Feinbloom et al. .... D26/39

- D. 300,868 4/1989 Conforti ..... D26/39
- D. 320,667 10/1991 Smith ..... D26/39
- D. 337,838 7/1993 Van Der Bel ..... D26/39
- D. 362,080 9/1995 Zehrer et al. .... D26/39
- D. 373,433 9/1996 Feinbloom ..... D26/39
- D. 383,229 9/1997 Küchiro ..... D26/39
- 491,713 2/1893 Main ..... D26/39
- 2,234,995 3/1941 Waechter ..... D26/39

*Primary Examiner*—Marcus A. Jackson  
*Attorney, Agent, or Firm*—Plevy & Associates

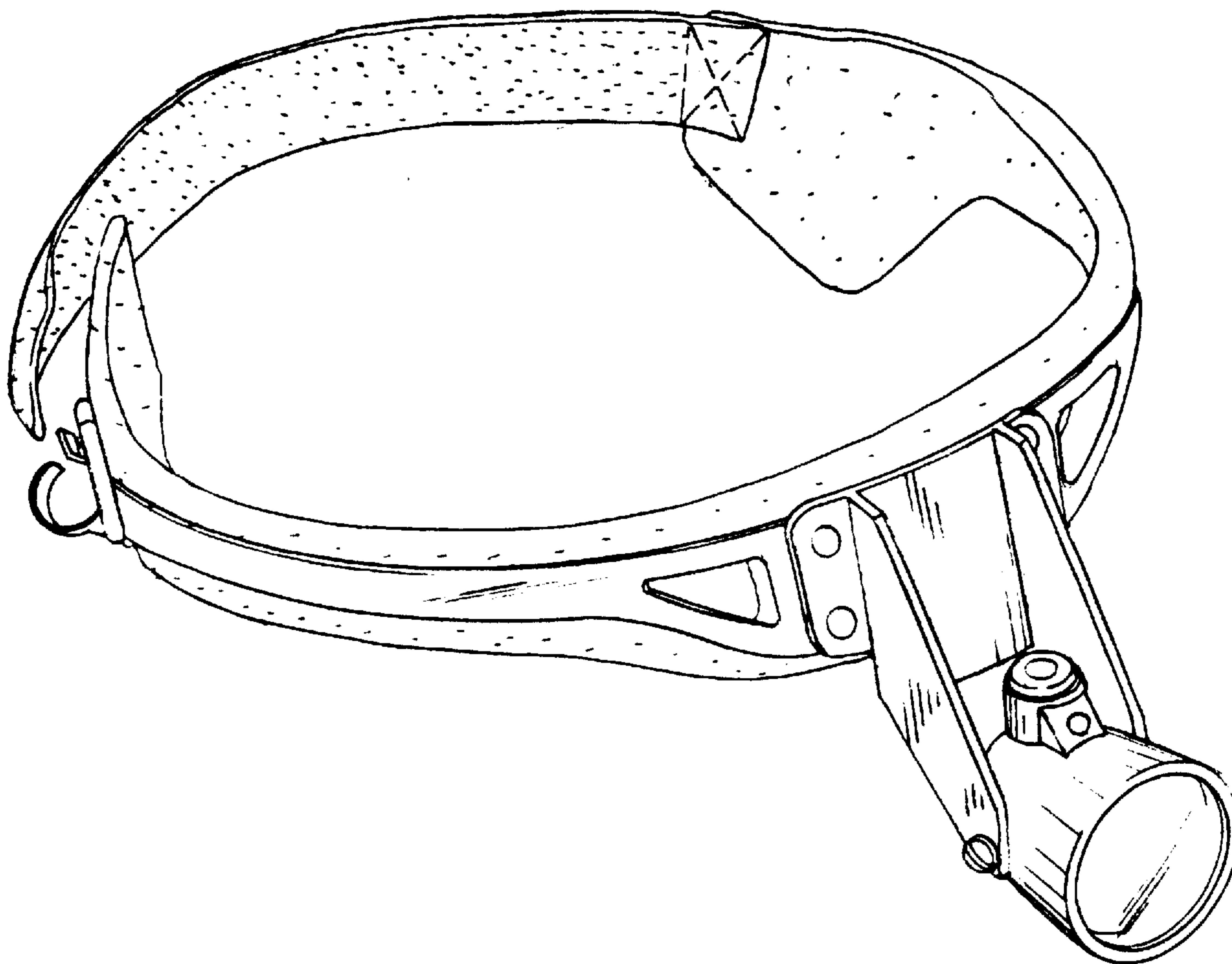
[57] **CLAIM**

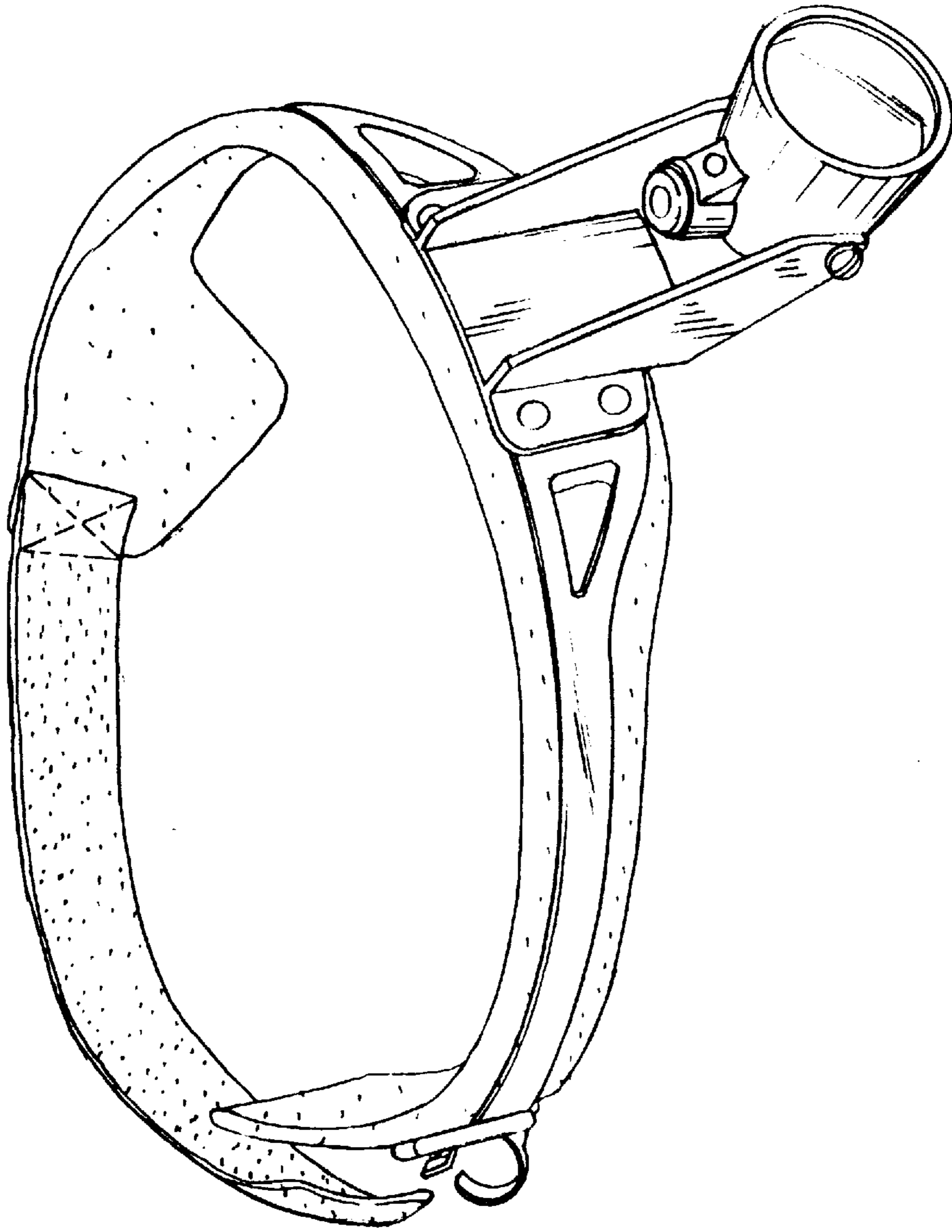
The ornamental design for a deluxe surgical head light, as shown and described.

**DESCRIPTION**

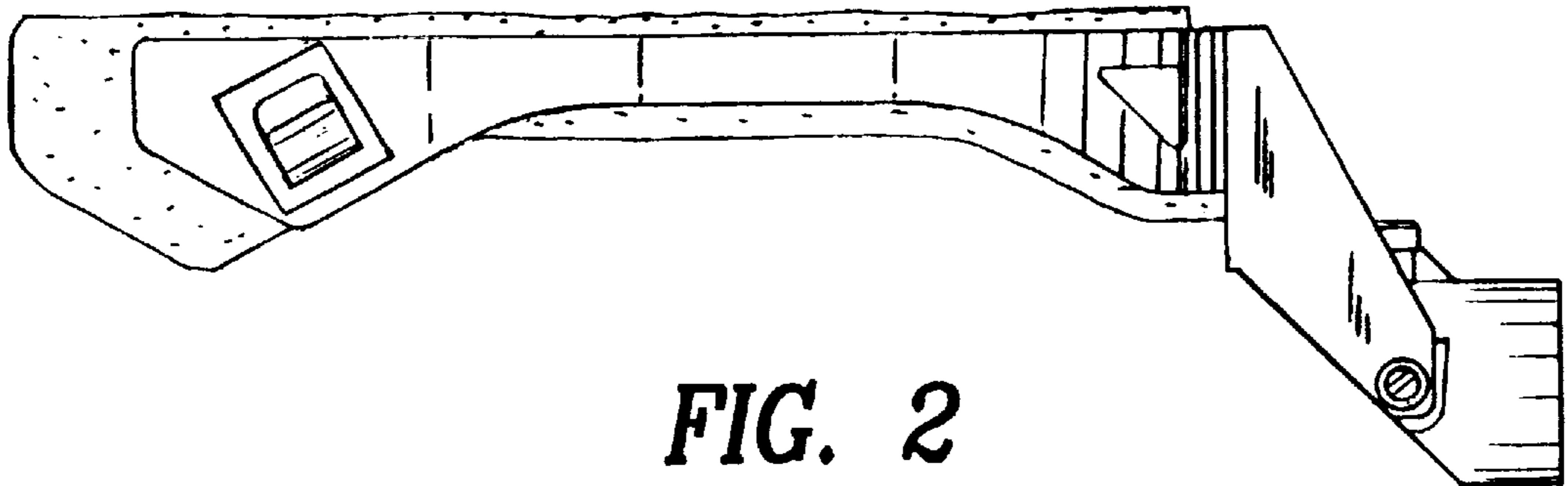
FIG. 1 is a perspective view of a deluxe surgical head light; FIG. 2 is a side view thereof; FIG. 3 is a front view thereof; FIG. 4 is a rear view thereof; FIG. 5 is a top view thereof; and, FIG. 6 is a bottom view thereof.

**1 Claim, 3 Drawing Sheets**

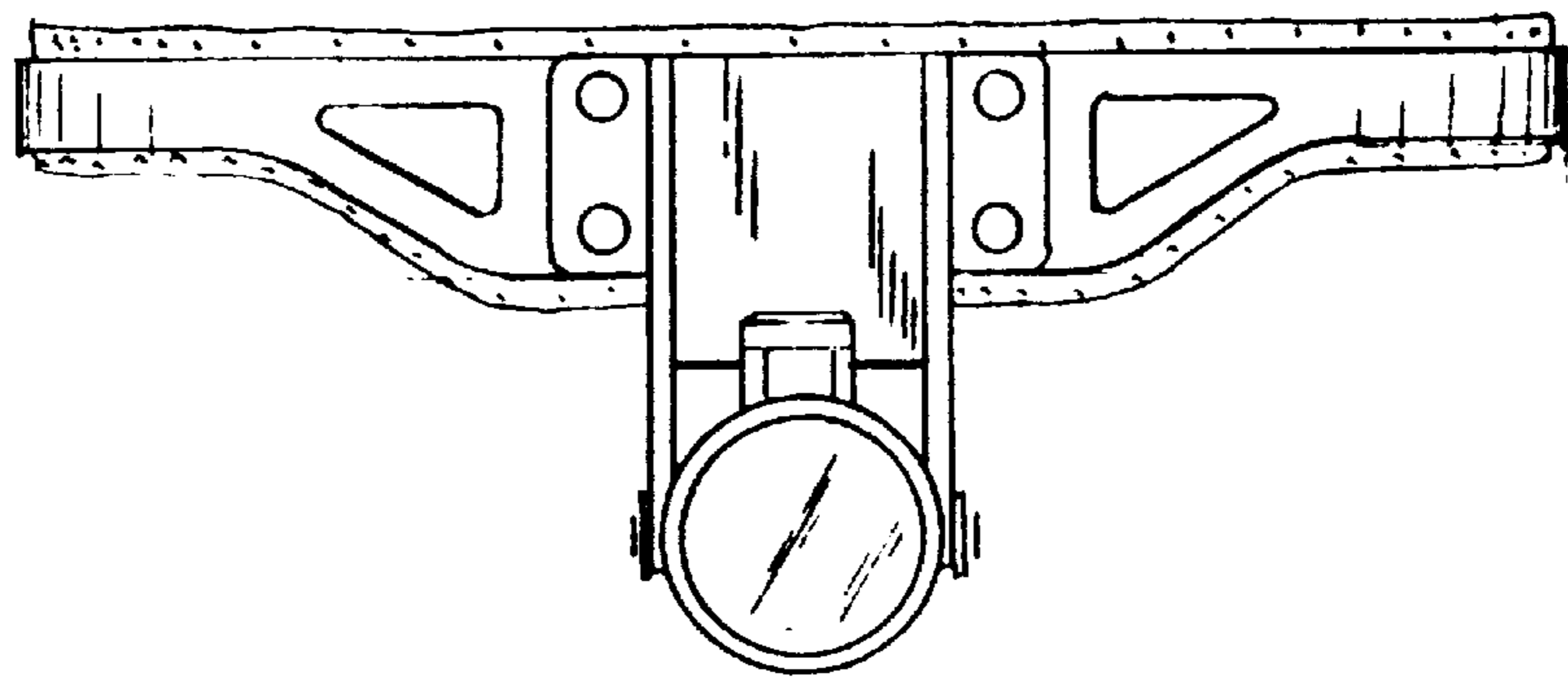




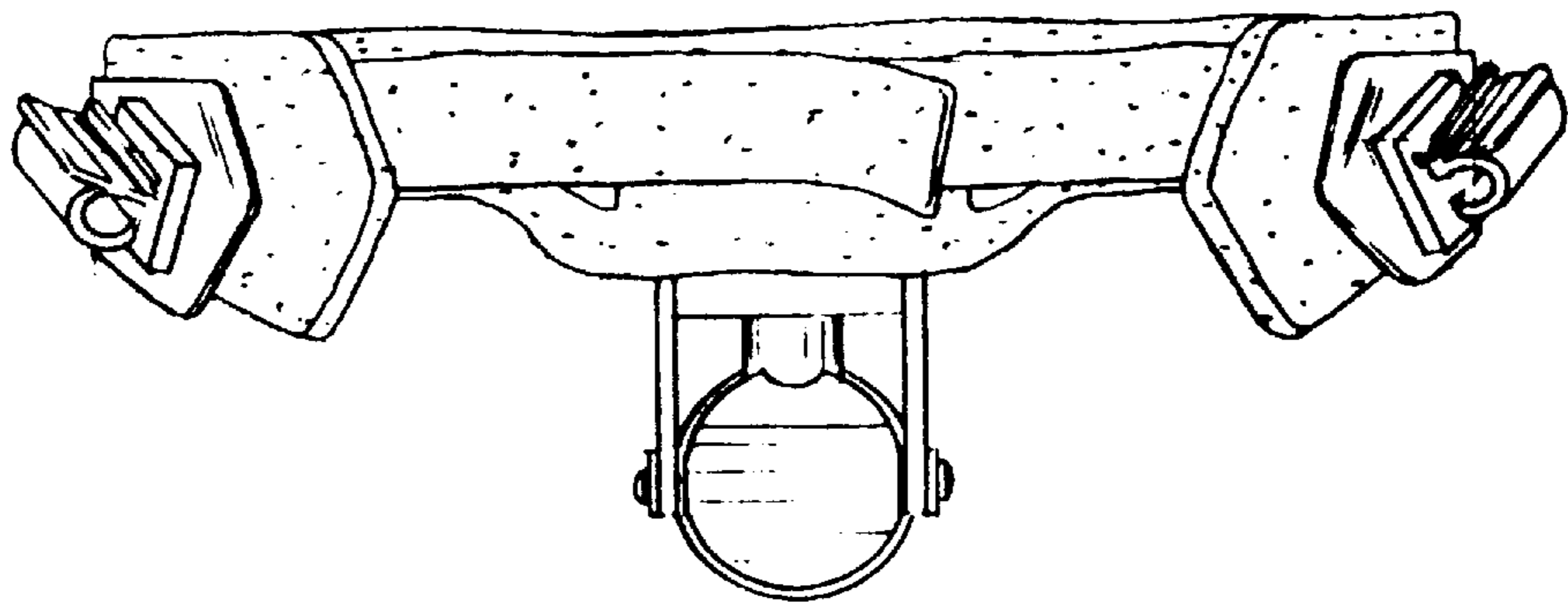
**FIG. 1**



**FIG. 2**

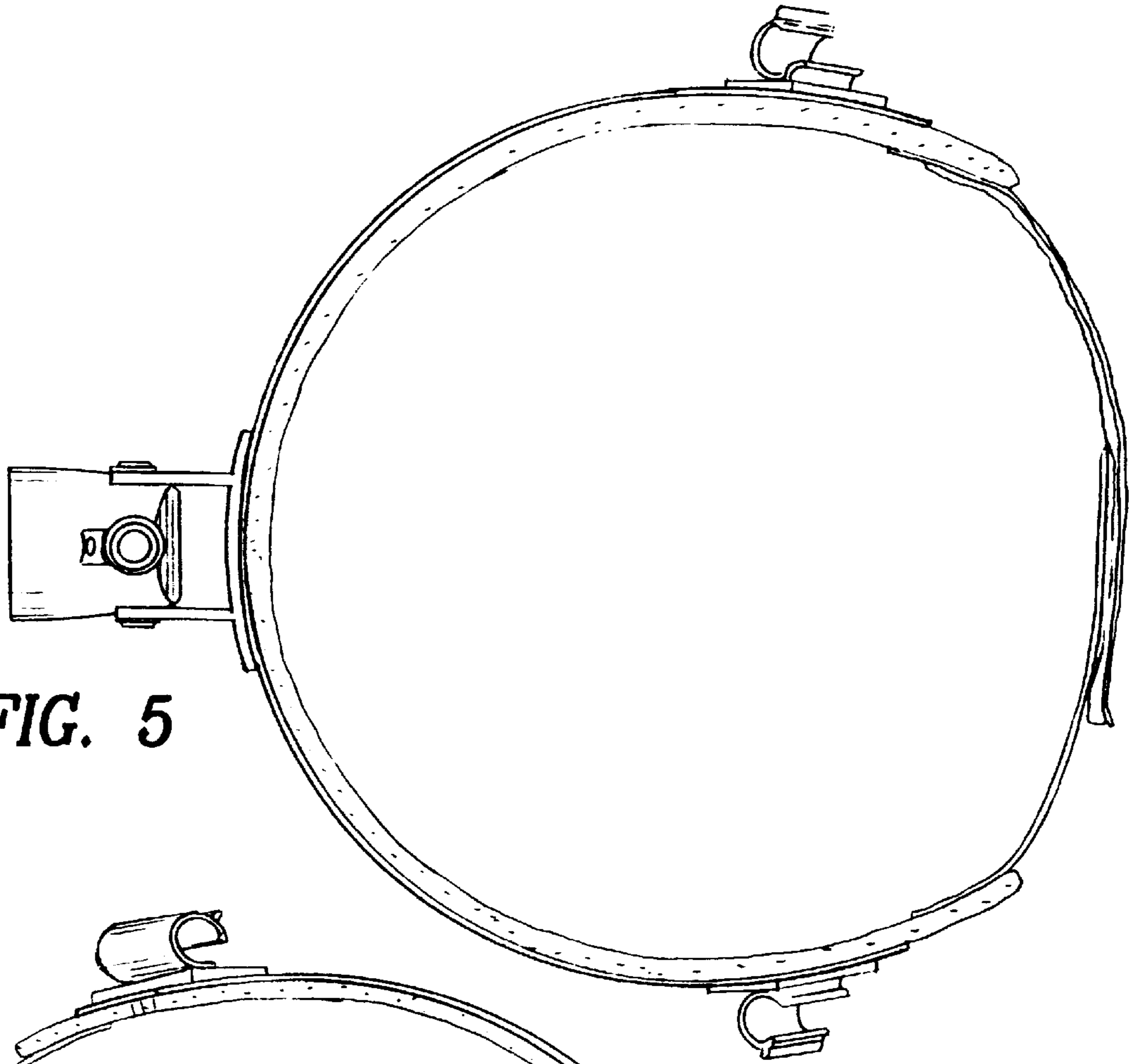


**FIG. 3**



**FIG. 4**

**FIG. 5**



**FIG. 6**

