



US00D399578S

# United States Patent [19]

[11] **Patent Number: Des. 399,578**

**Yuen**

[45] **Date of Patent: \*\*Oct. 13, 1998**

## [54] RECHARGEABLE LIGHT

[75] Inventor: **John Se-Kit Yuen**, Kowloon, Hong Kong

[73] Assignee: **John Manufacturint Limited**, Hong Kong

[\*\*] Term: **14 Years**

[21] Appl. No.: **80,473**

[22] Filed: **Dec. 9, 1997**

[51] **LOC (6) Cl.** ..... **26-02**

[52] **U.S. Cl.** ..... **D26/37; D26/42**

[58] **Field of Search** ..... **D26/37-50; 362/157, 362/158, 183-202**

## [56] **References Cited**

### U.S. PATENT DOCUMENTS

D. 343,467	1/1994	Yuen	.....	D26/42
D. 367,933	3/1996	Sum	.....	D26/42
D. 383,230	9/1997	Yuen	.....	D26/42

*Primary Examiner*—Marcus A. Jackson  
*Attorney, Agent, or Firm*—Fay, Sharpe, Beall, Fagan, Minnich & McKee

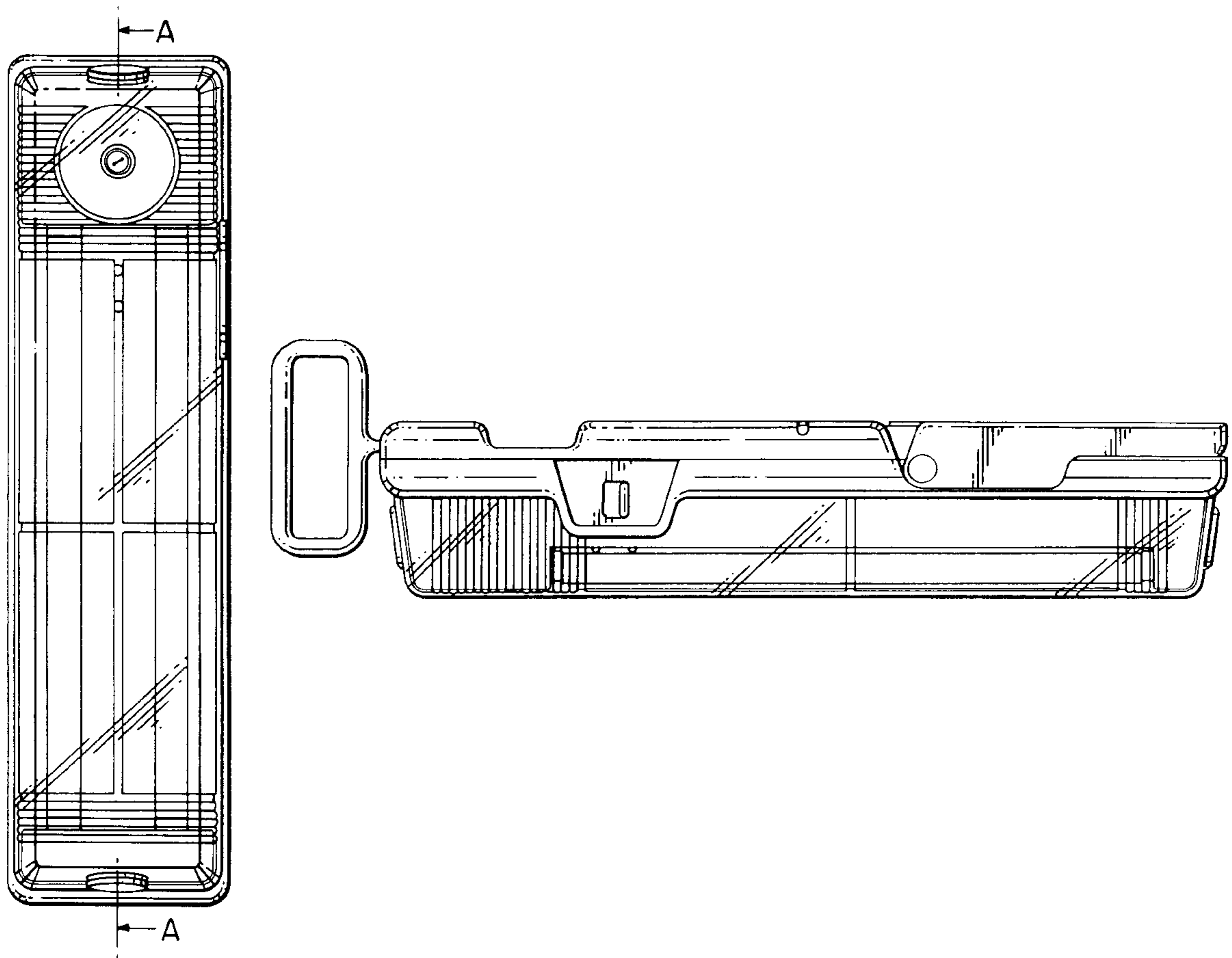
## [57] **CLAIM**

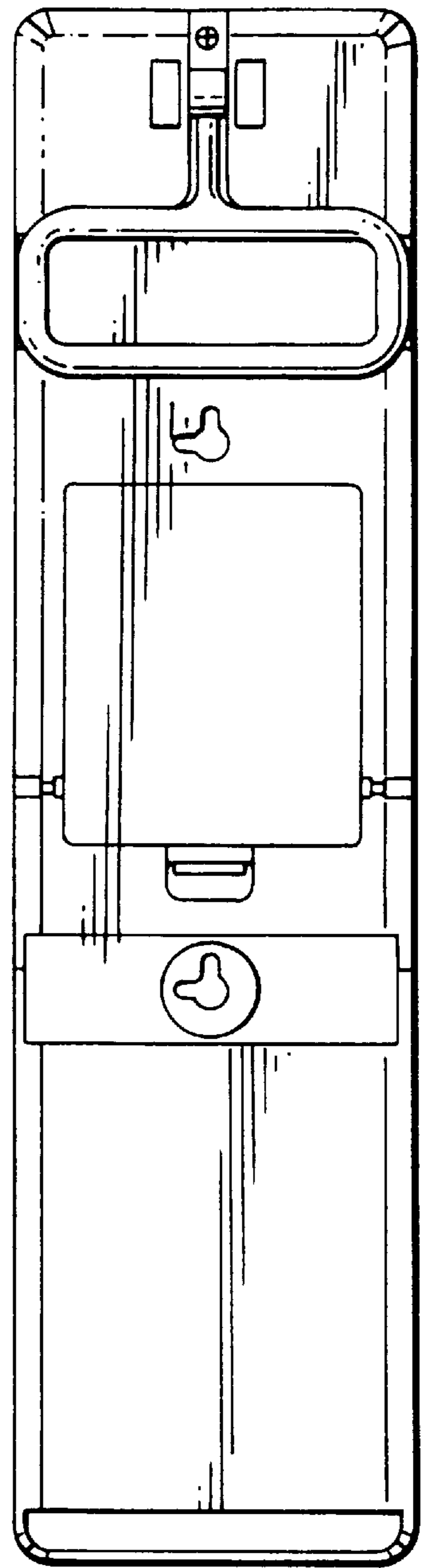
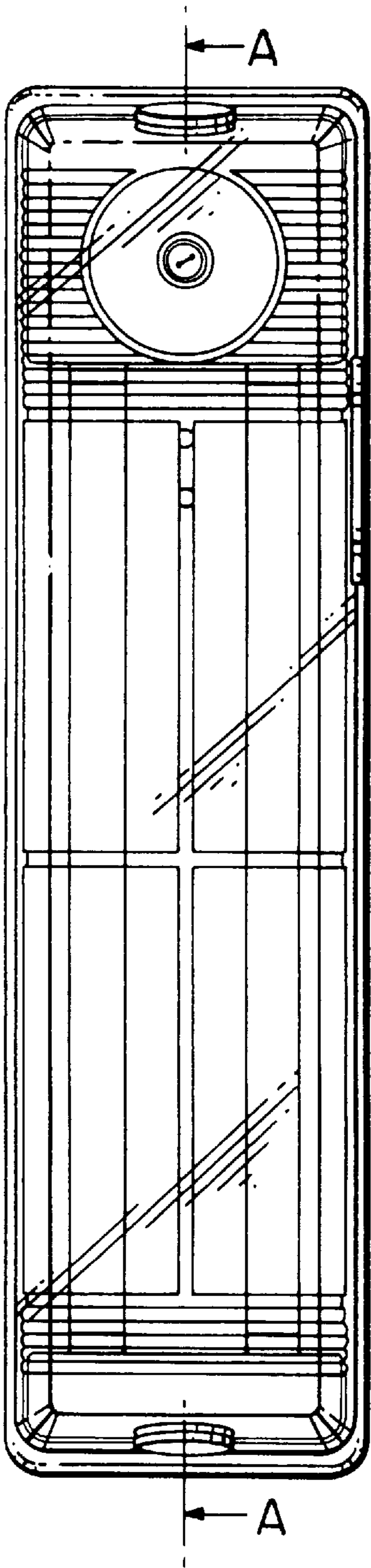
The ornamental design for a rechargeable light, as shown and described.

## **DESCRIPTION**

FIG. 1 is a front elevational view showing my new design; FIG. 2 is a rear elevational view; FIG. 3 is a left side elevational view; FIG. 4 is a right side elevational view; FIG. 5 is a top plan view; FIG. 6 is a bottom plan view; FIG. 7 is a top plan view showing alternative position of handle; FIG. 8 is a top plan view showing a further alternative position of handle; FIG. 9 is a right side elevational view showing handle in an alternative position; FIG. 10 is a right side elevational view showing further alternative positions of handle; FIG. 11 is a right side elevational view showing stand in an alternative position; and, FIG. 12 is a sectional view taken along line 'A—A'.

**1 Claim, 6 Drawing Sheets**





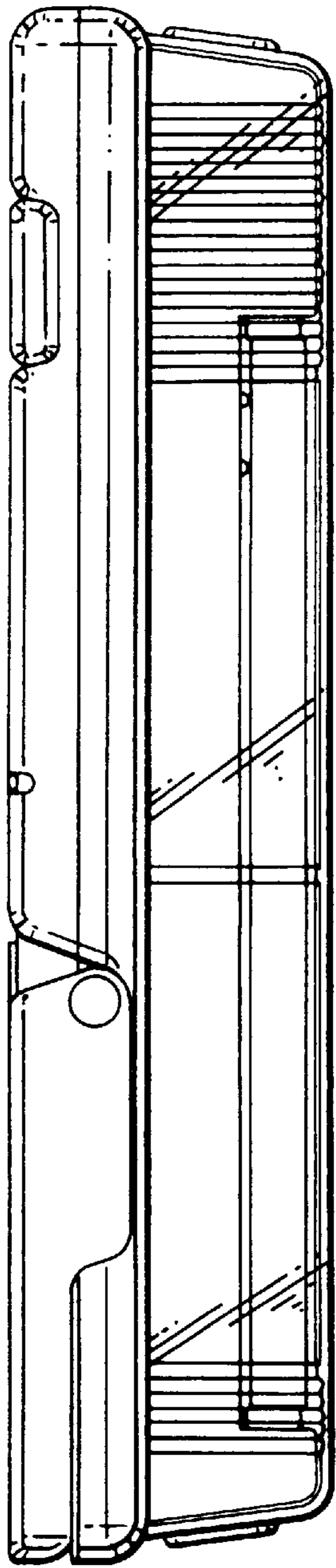


FIG. 3

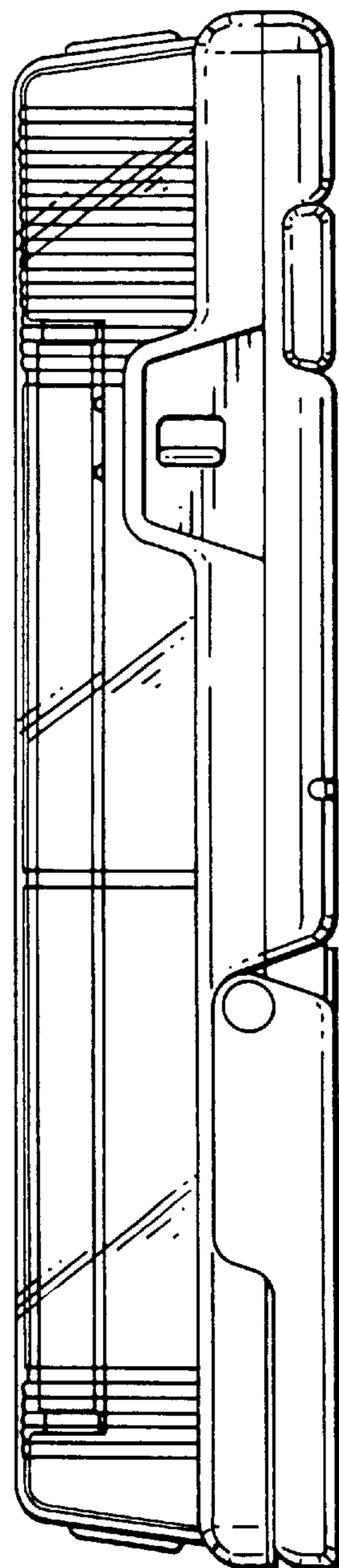


FIG. 4

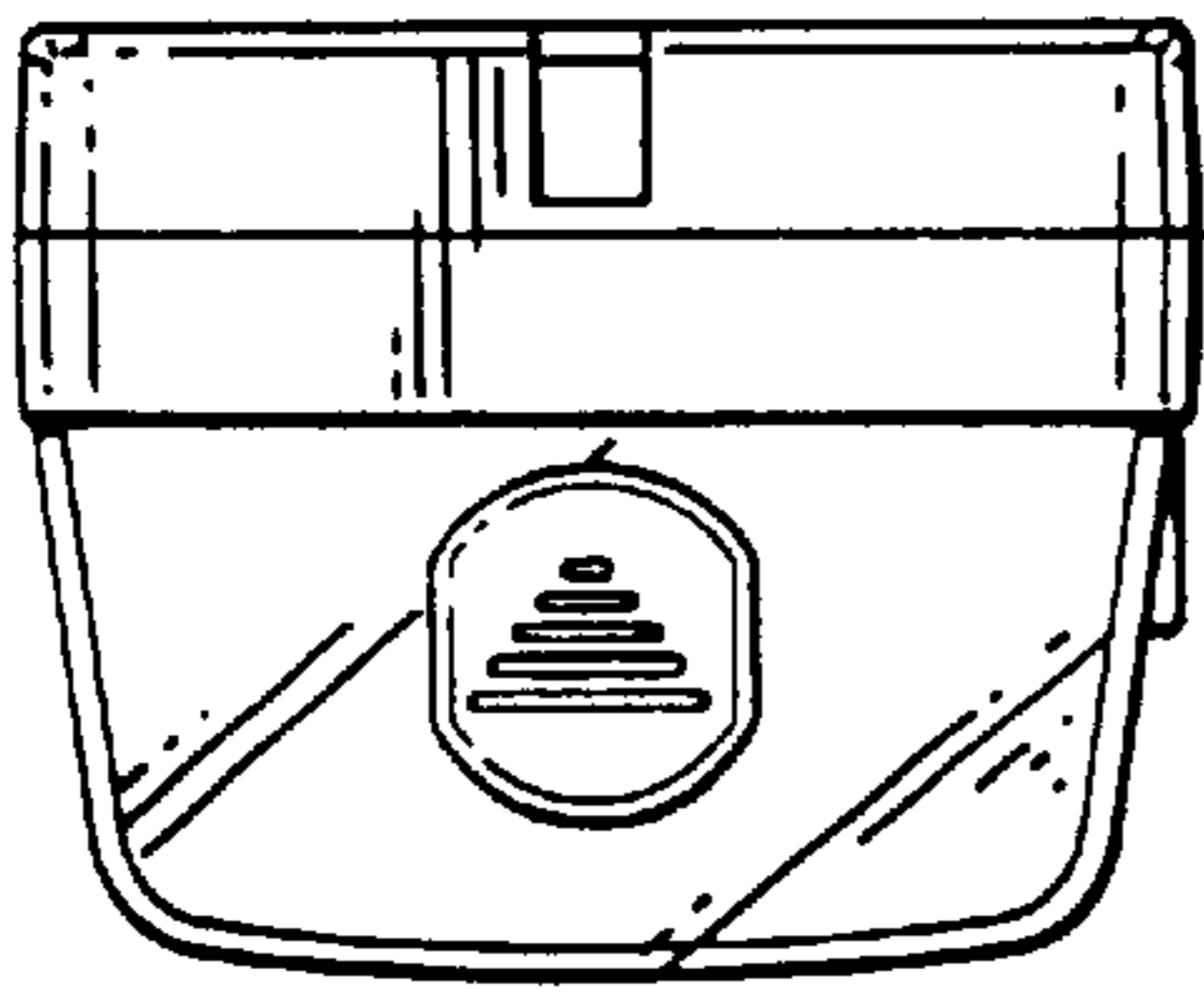


FIG. 5

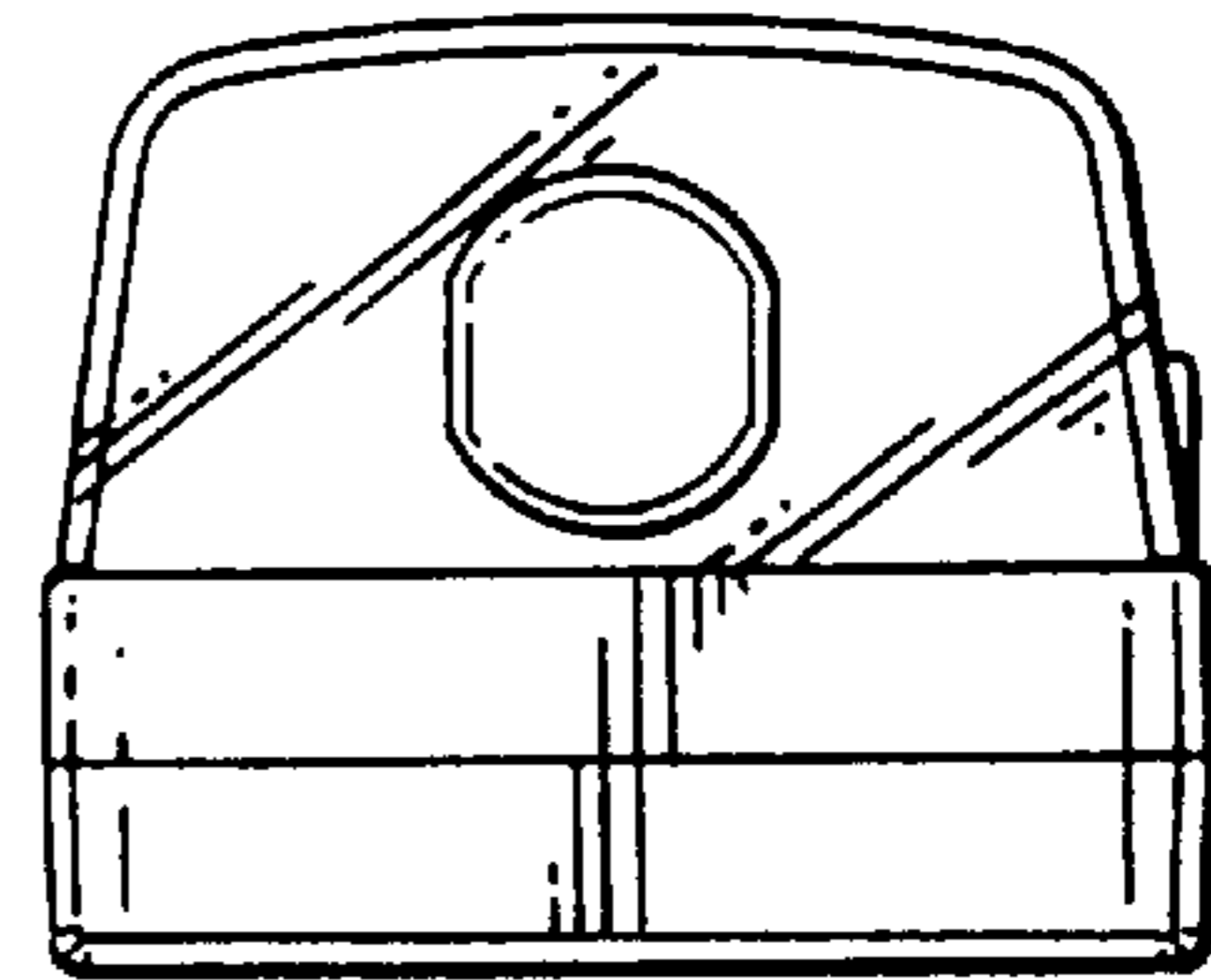


FIG. 6

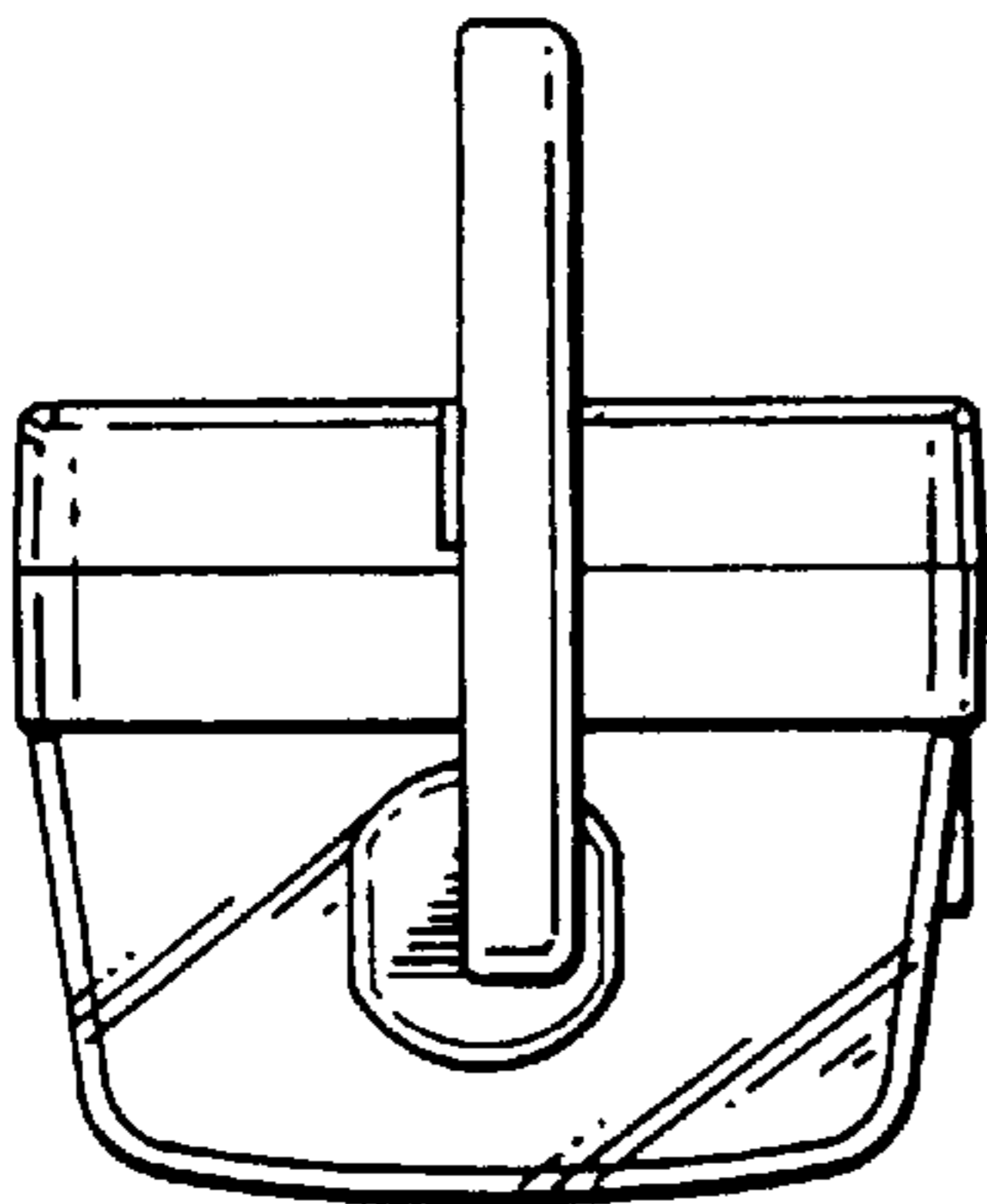


FIG. 7

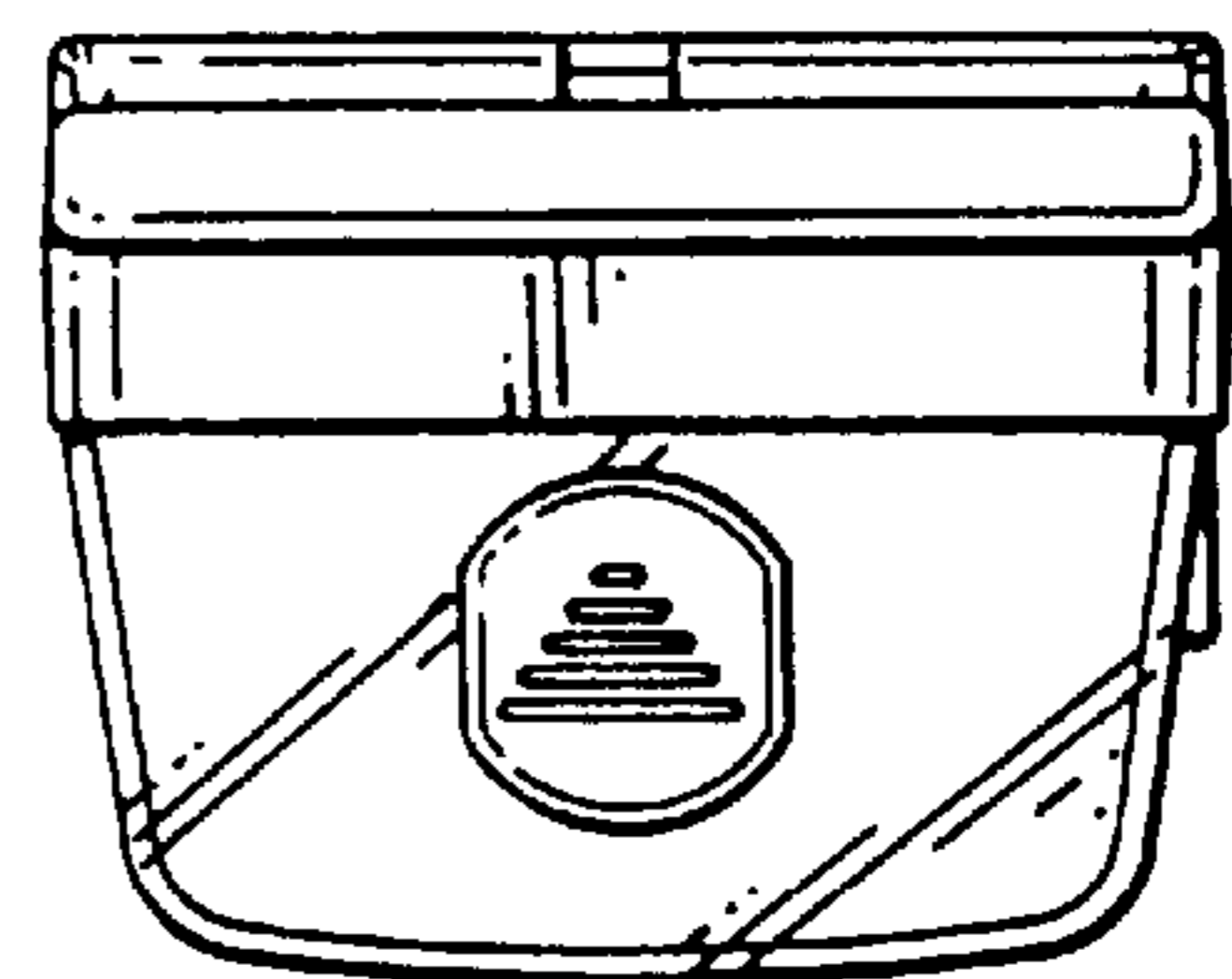


FIG. 8

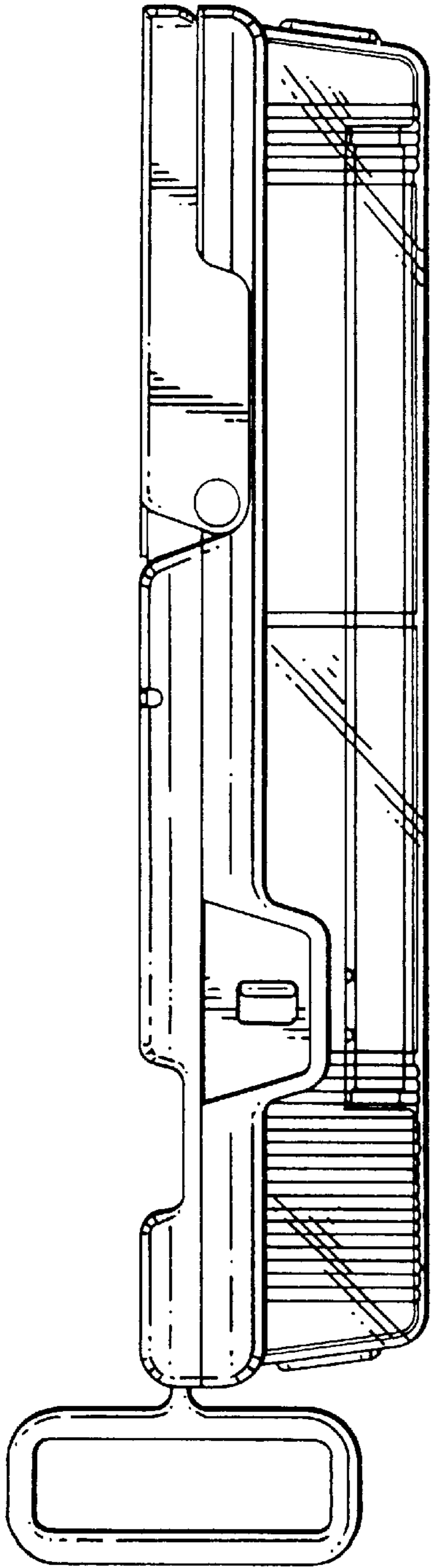


FIG. 9

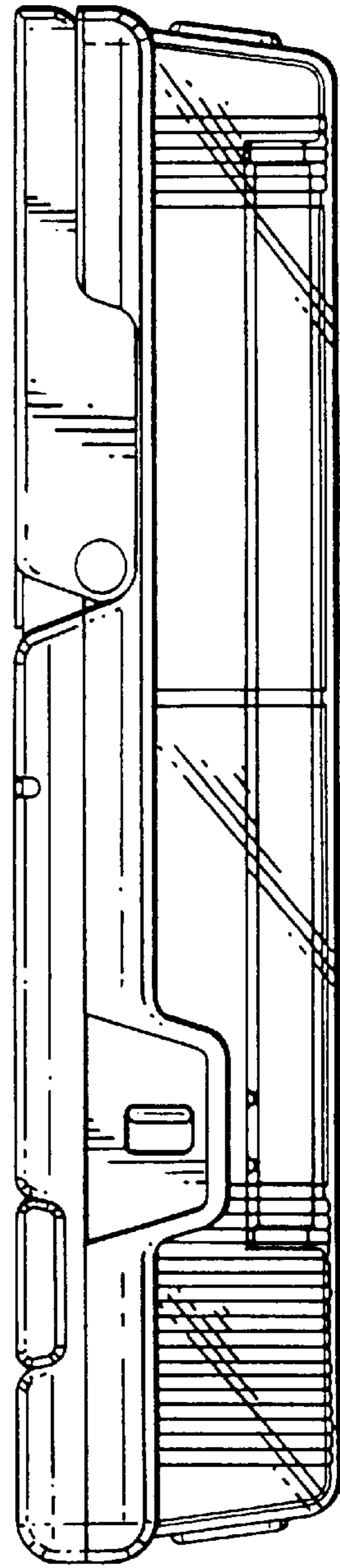


FIG. 10

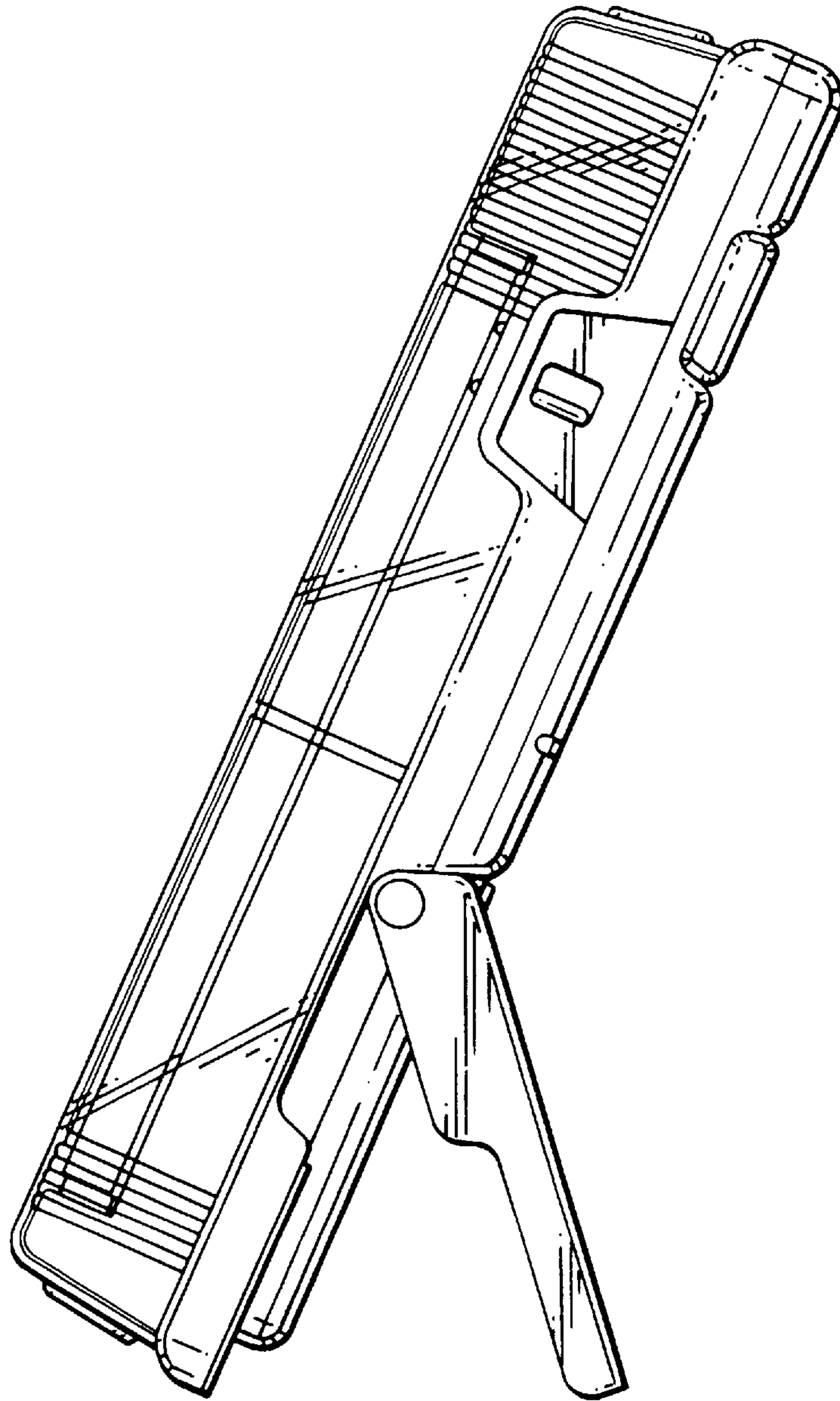


FIG. 11

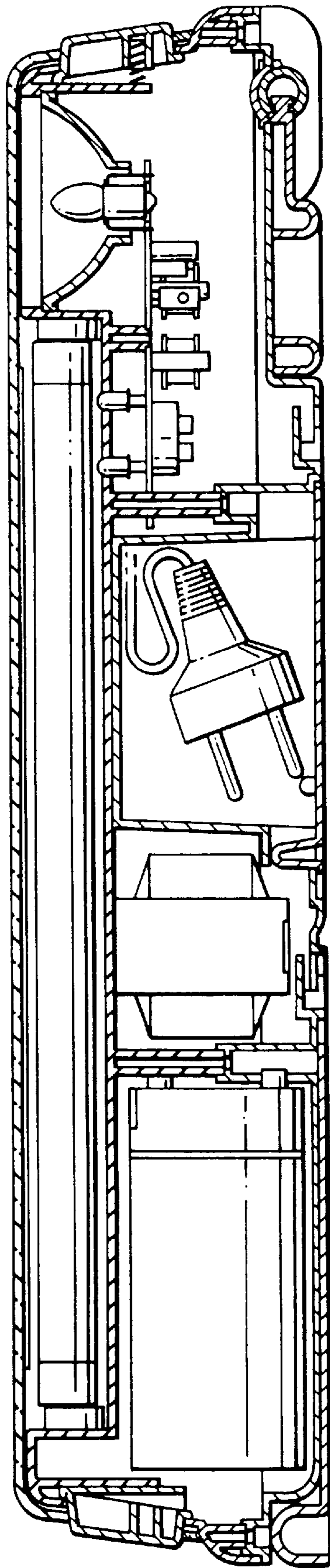


FIG. 12