



US00D399575S

United States Patent [19] Hunt

[11] **Patent Number: Des. 399,575**

[45] **Date of Patent: **Oct. 13, 1998**

[54] **SHED**

6434801 2/1989 Japan .

[75] Inventor: **David L. Hunt**, Cincinnati, Ohio

OTHER PUBLICATIONS

[73] Assignee: **Rubbermaid Speciality Products Inc.**,
Wooster, Ohio

Instruction Sheet, Shed; Keter Plastics, address unknown.
Published at least as early as 1996.

[**] Term: **14 Years**

Catalog page, Storage and Recycling Centers; handy Home
Products, P.O. box 548, Walled Lake, Michigan
48390-3222. Published at least as early as 1991.

[21] Appl. No.: **55,356**

P. 9, Lean-to huts; Bloomfield, address unknown. Published
at least as early as 1991.

[22] Filed: **Jun. 4, 1996**

Sell sheet, Storage building; Arrow, address unknown. Pub-
lication date Dec., 1990.

[51] **LOC (6) Cl. 25-03**

[52] **U.S. Cl. D25/33**

Sell sheet, Storage buildings; Arrow, address unknown.
Published at least as early as 1991.

[58] **Field of Search** D25/1, 16, 33;
135/87; 52/79.1, 79.5, 64; D30/180; D6/446,
167; D34/1, 7

Sell sheet, Recycling centers; Arrow, address unknown.
Published at least as early as 1991.

[56] **References Cited**

Sell sheet, Garden buildings; Spacemaker®, 3069 Wolfedale
Road, Mississauga, Ontario, Canada L5C 1V9. Published at
least as early as 1991.

U.S. PATENT DOCUMENTS

Catalog page, Universal-box; Heinz Kettler Metallwaren-
fabrik GmbH & Co., D-4763 Ense-Parsit, Postfach 1020.
Published at least as early as 1991.

D. 260,062	8/1981	Knaack et al.	D6/167
D. 263,365	3/1982	Arato	D34/1
D. 284,101	6/1986	Latimer	D25/1
D. 300,362	3/1989	Adams	D25/33
D. 325,979	5/1992	Mahler	D25/33
D. 332,332	1/1993	Markey	D34/1
D. 335,730	5/1993	Tessner et al.	D34/7
D. 355,313	2/1995	Breen et al.	D6/446
D. 359,588	6/1995	Brazis	D30/180
D. 364,468	11/1995	Maple	D25/16
D. 365,154	12/1995	Maple	D25/16
3,543,456	12/1970	Gregoire	52/92
4,425,742	1/1984	Markey et al.	52/90
4,501,103	2/1985	Markey et al.	52/745
4,570,392	2/1986	Oltman et al.	52/64
4,633,626	1/1987	Freeman et al.	52/79.5
4,677,797	7/1987	Roth	52/94
5,036,634	8/1991	Lessard et al.	52/79.1

Primary Examiner—Doris Clark
Attorney, Agent, or Firm—Richard B. O’Planick

[57] **CLAIM**

The ornamental design for a shed, as shown and described.

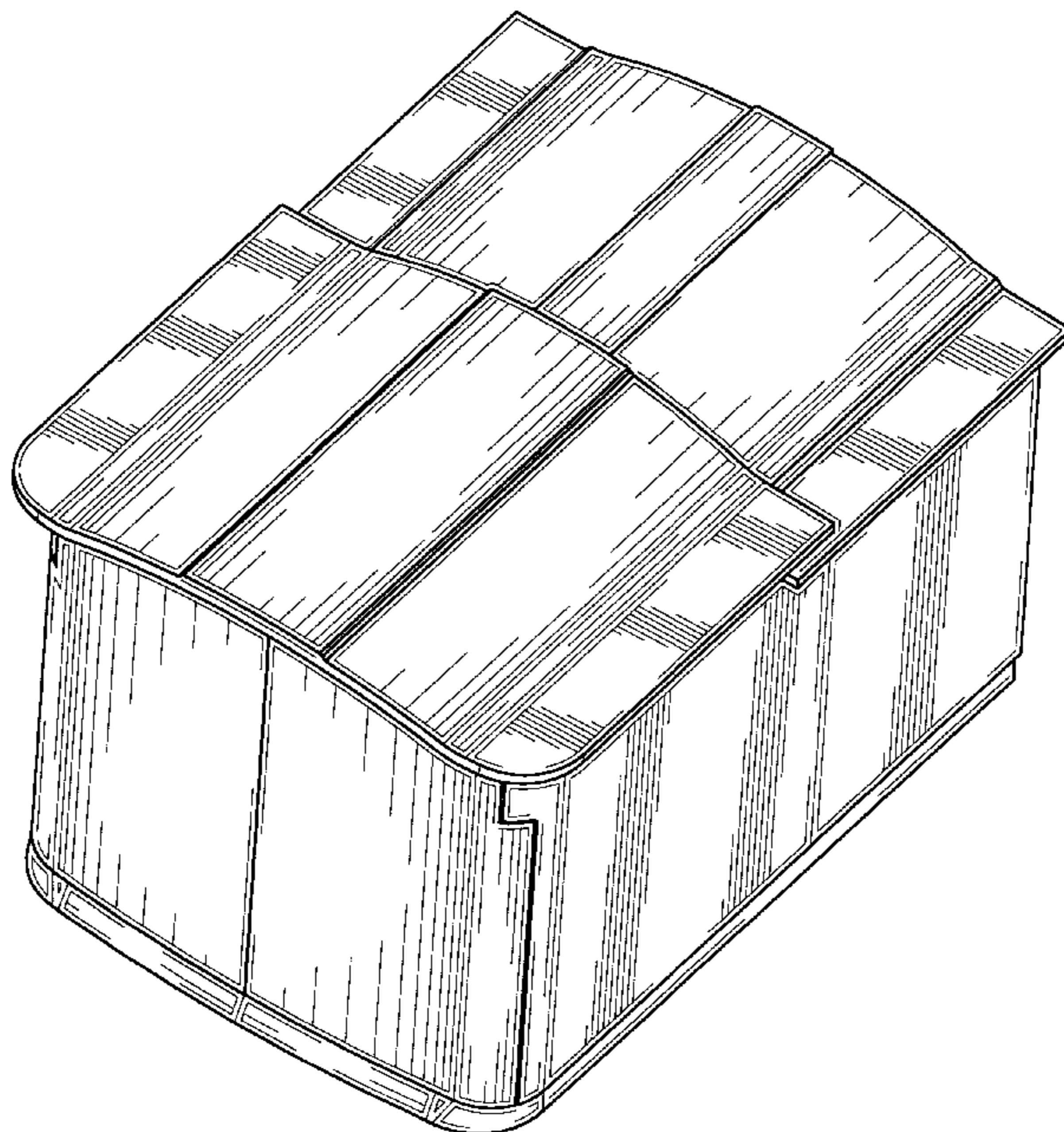
FOREIGN PATENT DOCUMENTS

3801810 1/1989 Germany .

DESCRIPTION

FIG. 1 is a top left front perspective view of a shed showing
my new design;
FIG. 2 is a front elevational view thereof; the rear eleva-
tional view being a mirror image;
FIG. 3 is a top plan view thereof;
FIG. 4 is a left side elevational view thereof; and,
FIG. 5 is a right side elevational view thereof.

1 Claim, 5 Drawing Sheets



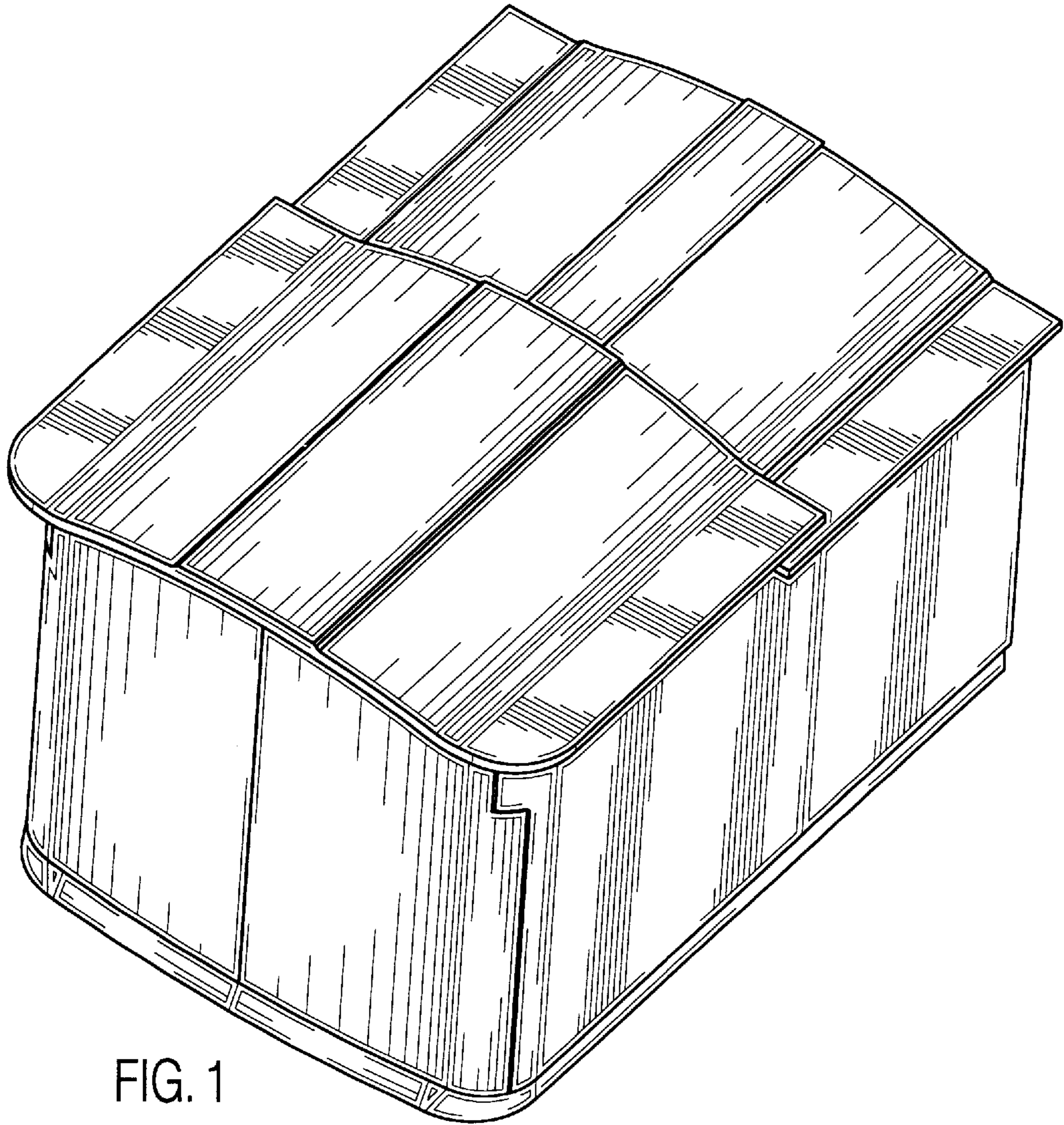


FIG. 1

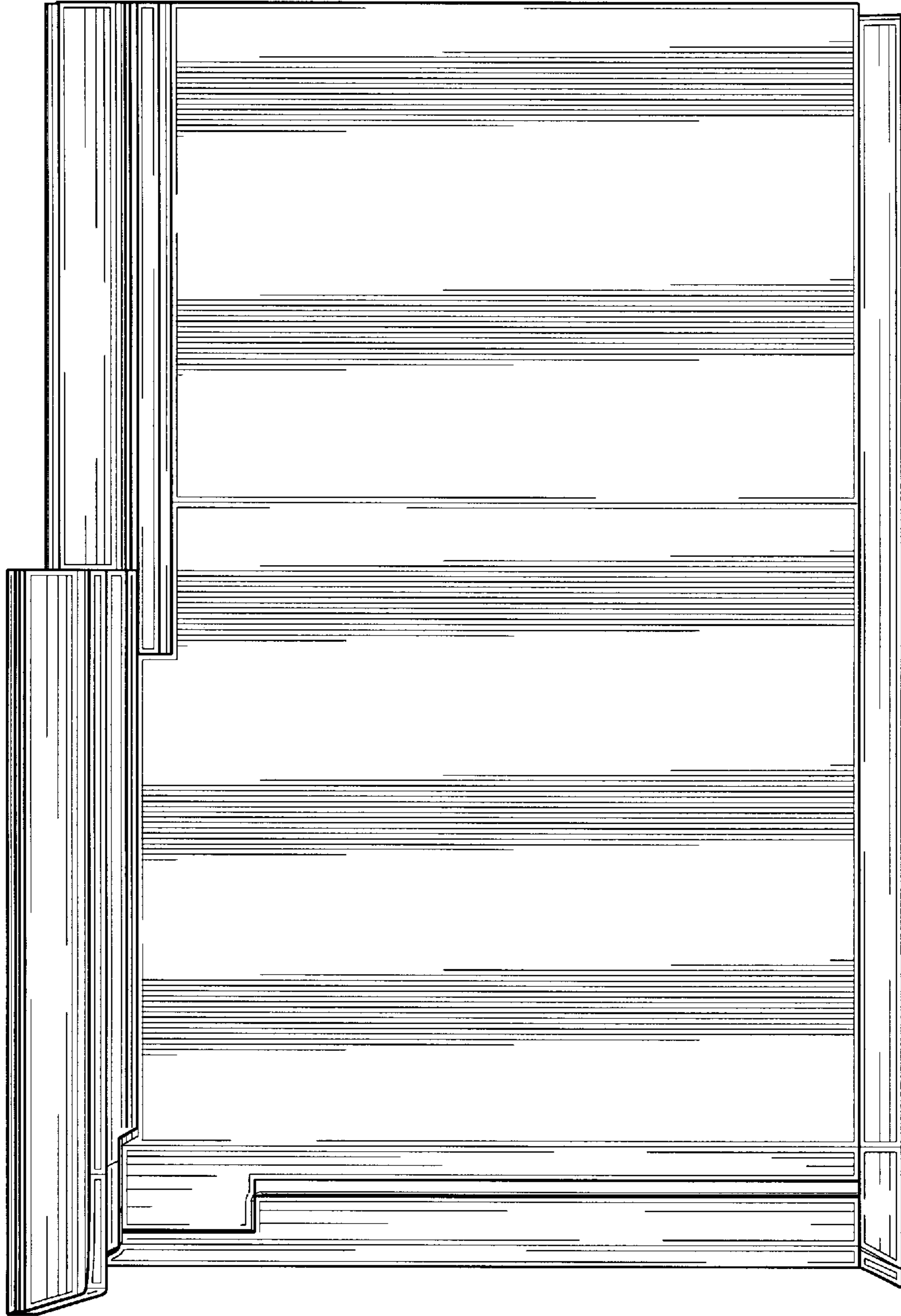


FIG. 2

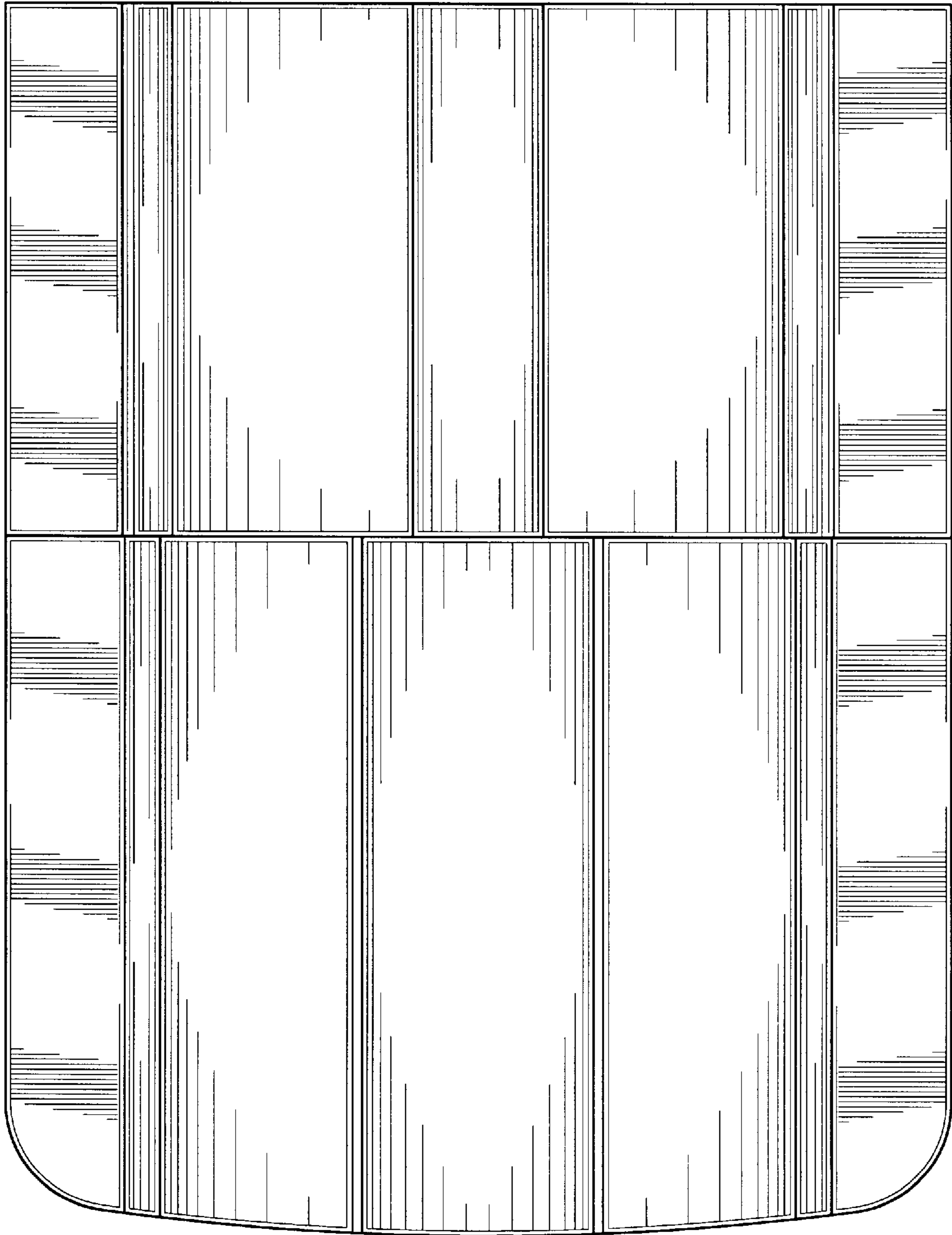


FIG. 3

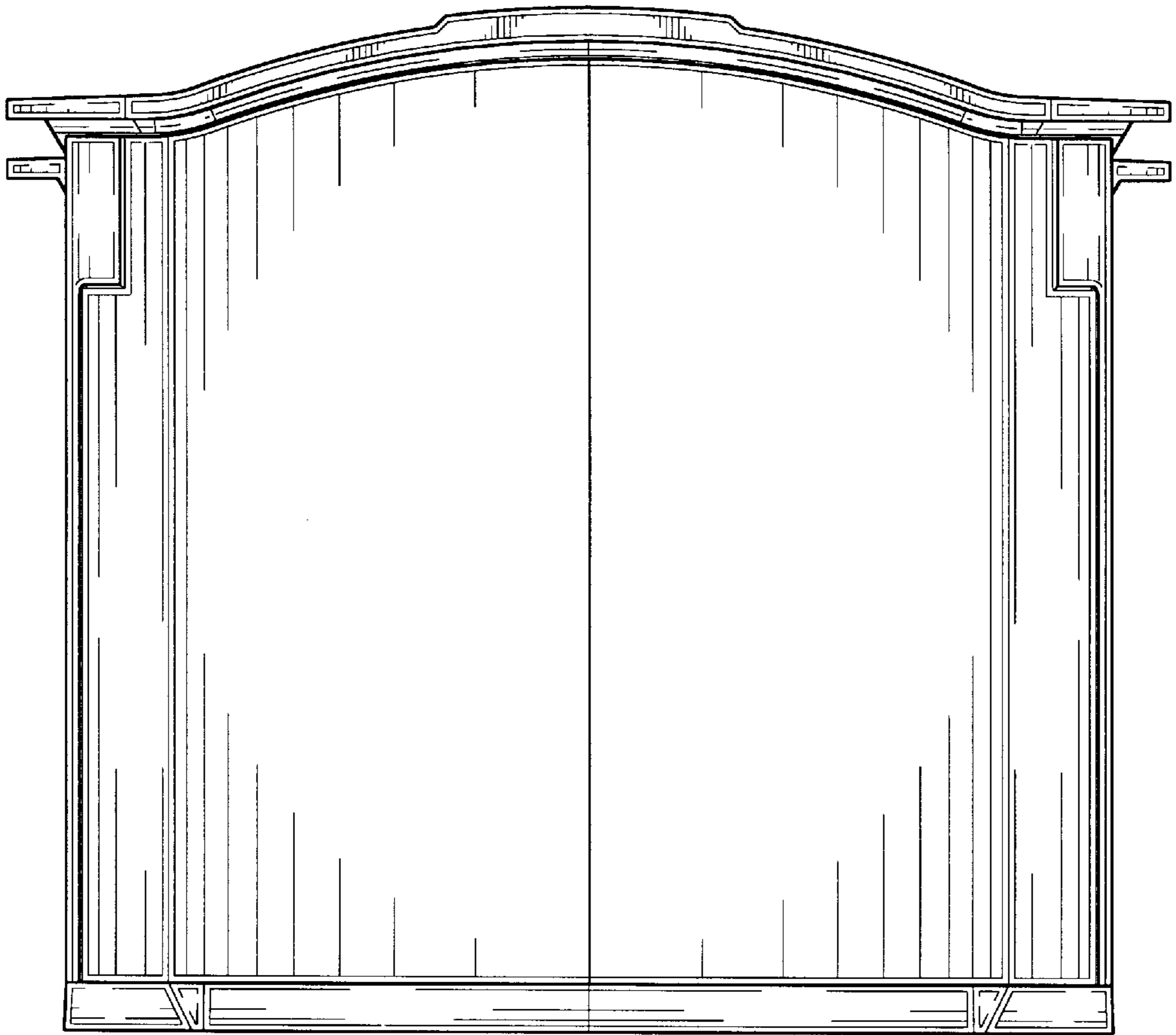


FIG. 4

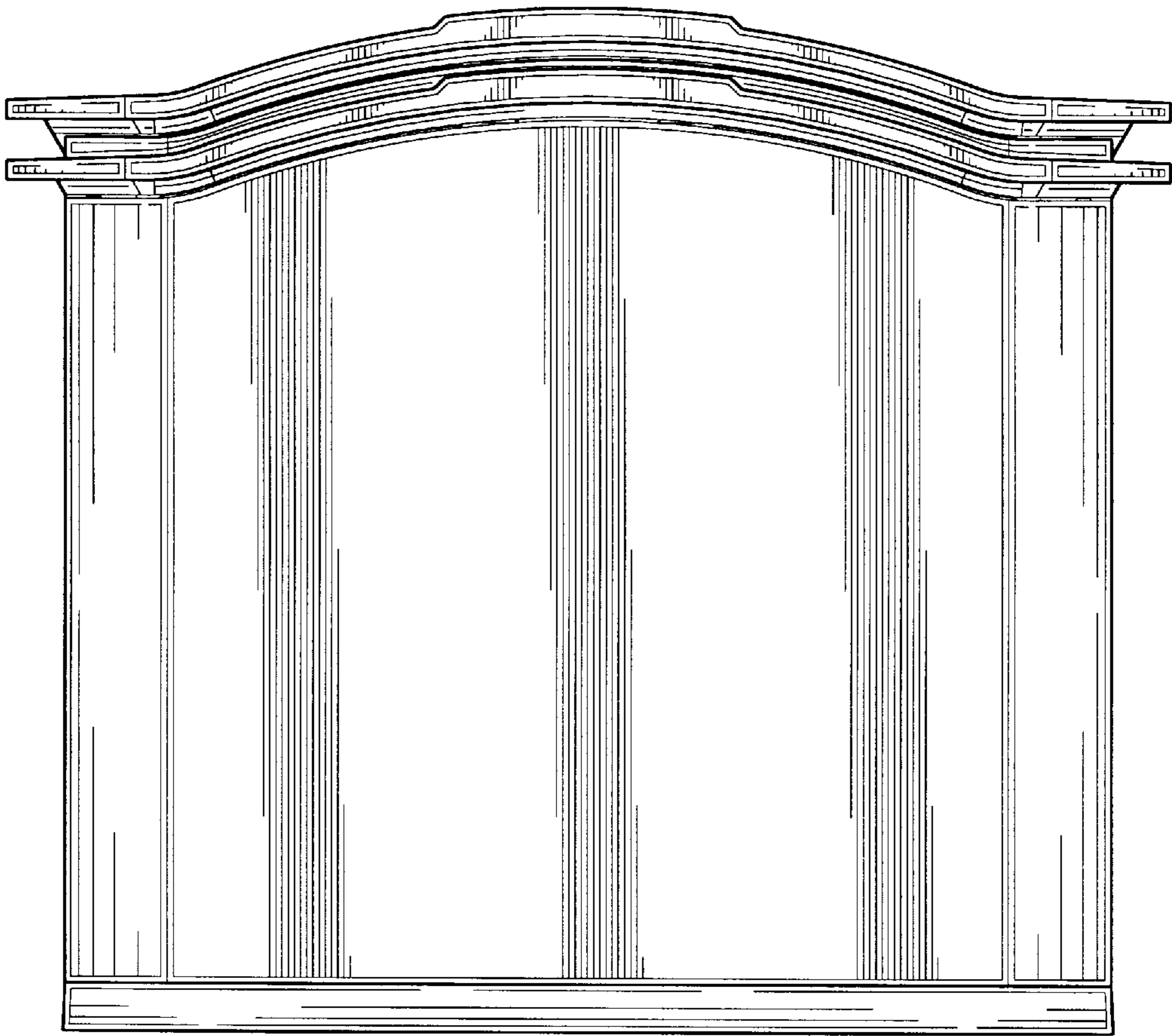


FIG. 5