



US00D399574S

United States Patent [19]
Monaco

[11] **Patent Number: Des. 399,574**

[45] **Date of Patent: **Oct. 13, 1998**

[54] **BUILDING STRUCTURE**

D. 260,179 8/1981 Buck D25/31
5,050,354 9/1991 Vendramini 52/80.1

[75] Inventor: **Mario Monaco**, Fairfield, N.J.

Primary Examiner—Doris Clark
Attorney, Agent, or Firm—Barry C. Cohen

[73] Assignee: **UFO Restaurants, Inc.**

[**] Term: **14 Years**

[57] **CLAIM**

[21] Appl. No.: **73,847**

I claim the ornamental design for the building structure, as shown and described.

[22] Filed: **Jul. 15, 1997**

DESCRIPTION

[51] **LOC (6) Cl.** **25-03**

FIG. 1 is a perspective view of a building structure showing my new design;

[52] **U.S. Cl.** **D25/31**

FIG. 2 is a front elevational view thereof;

[58] **Field of Search** D25/1, 6, 7, 31,
D25/33; 52/79.1, 80.1, 80.2, 81.1

FIG. 3 is a rear elevational view thereof, the left and right elevational views being the same as said rear elevational view; and,

[56] **References Cited**

FIG. 4 is a top plan view thereof.

U.S. PATENT DOCUMENTS

D. 250,482 12/1978 Forstrom D25/31

1 Claim, 2 Drawing Sheets

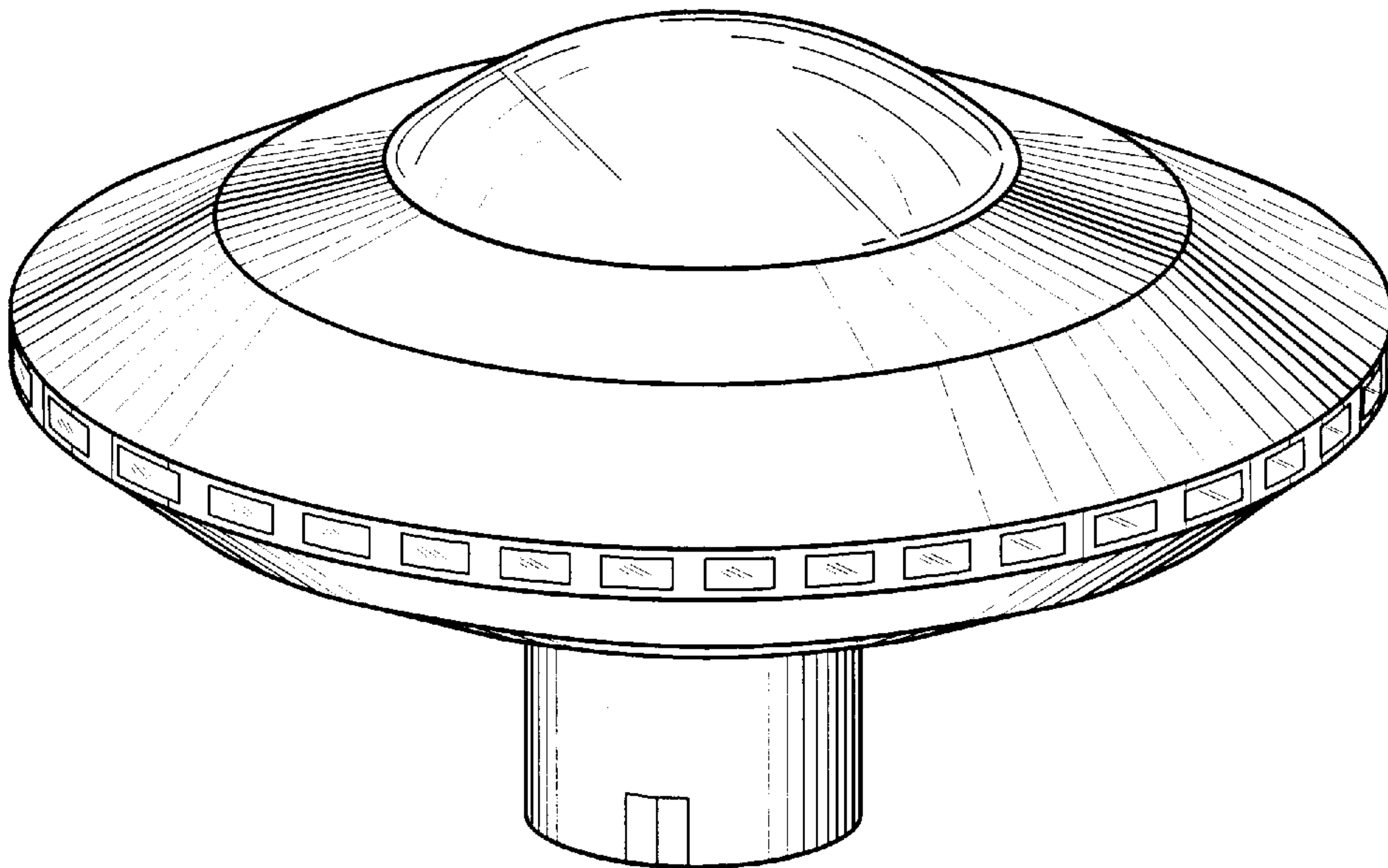


FIG. 1

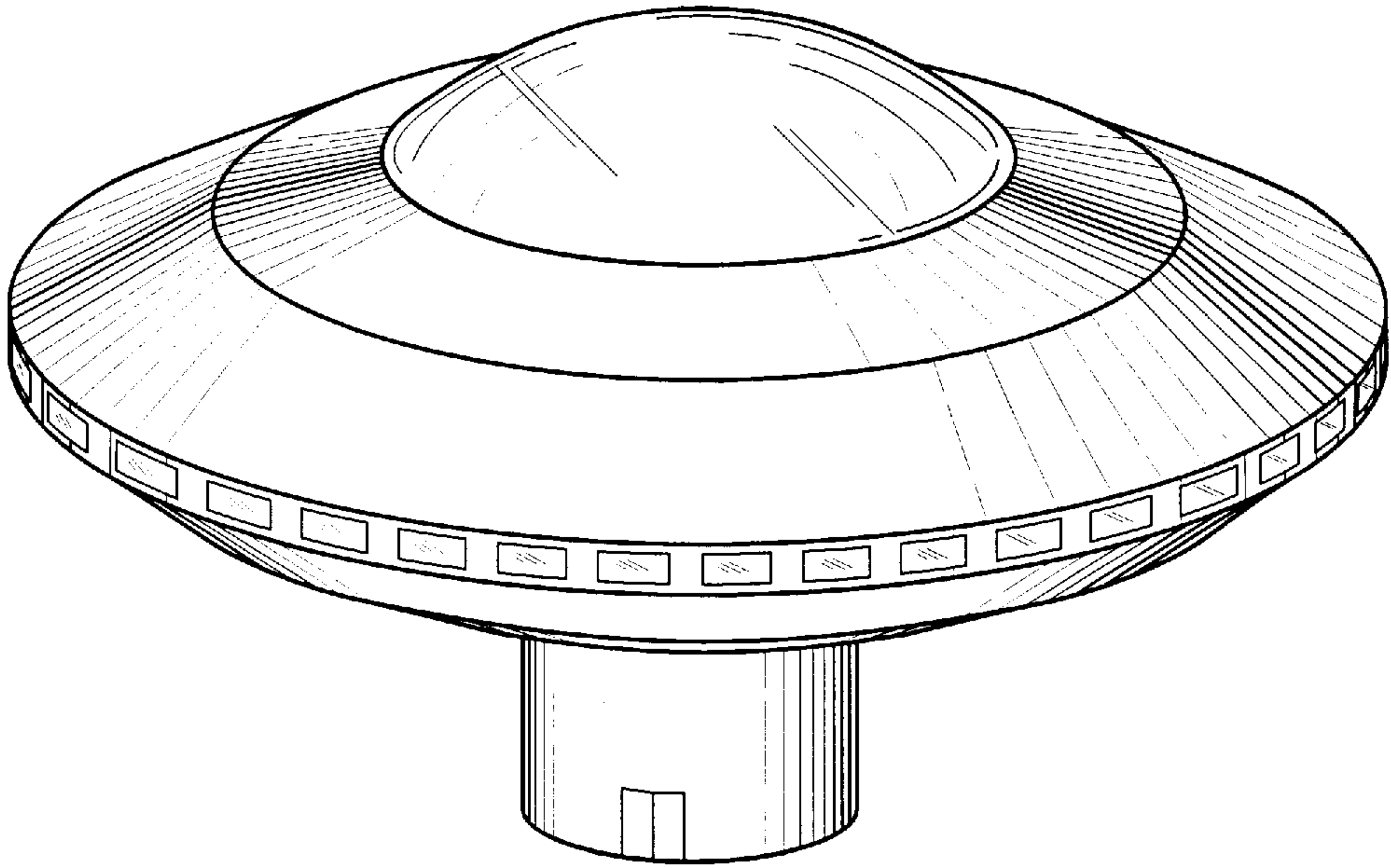


FIG. 2

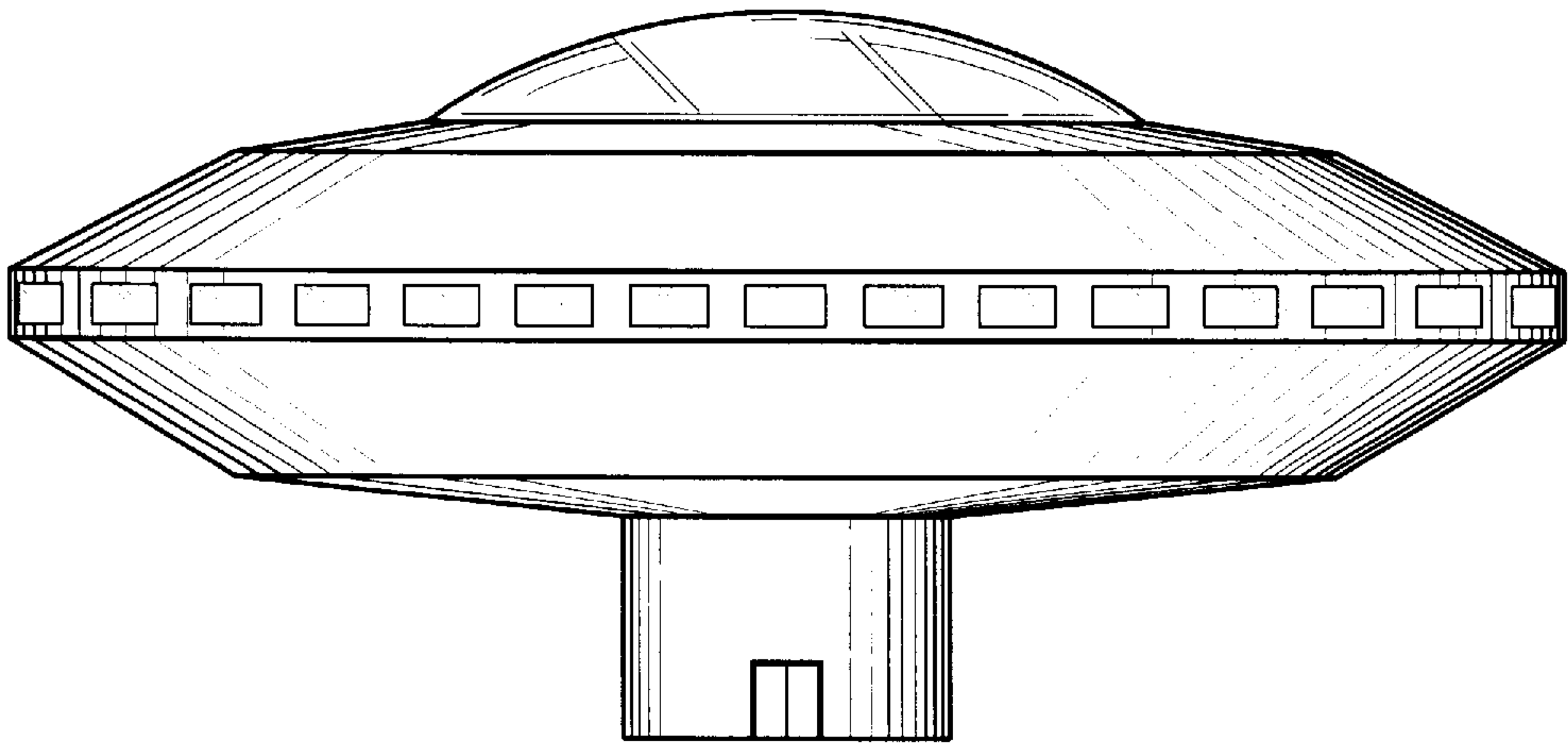


FIG. 3

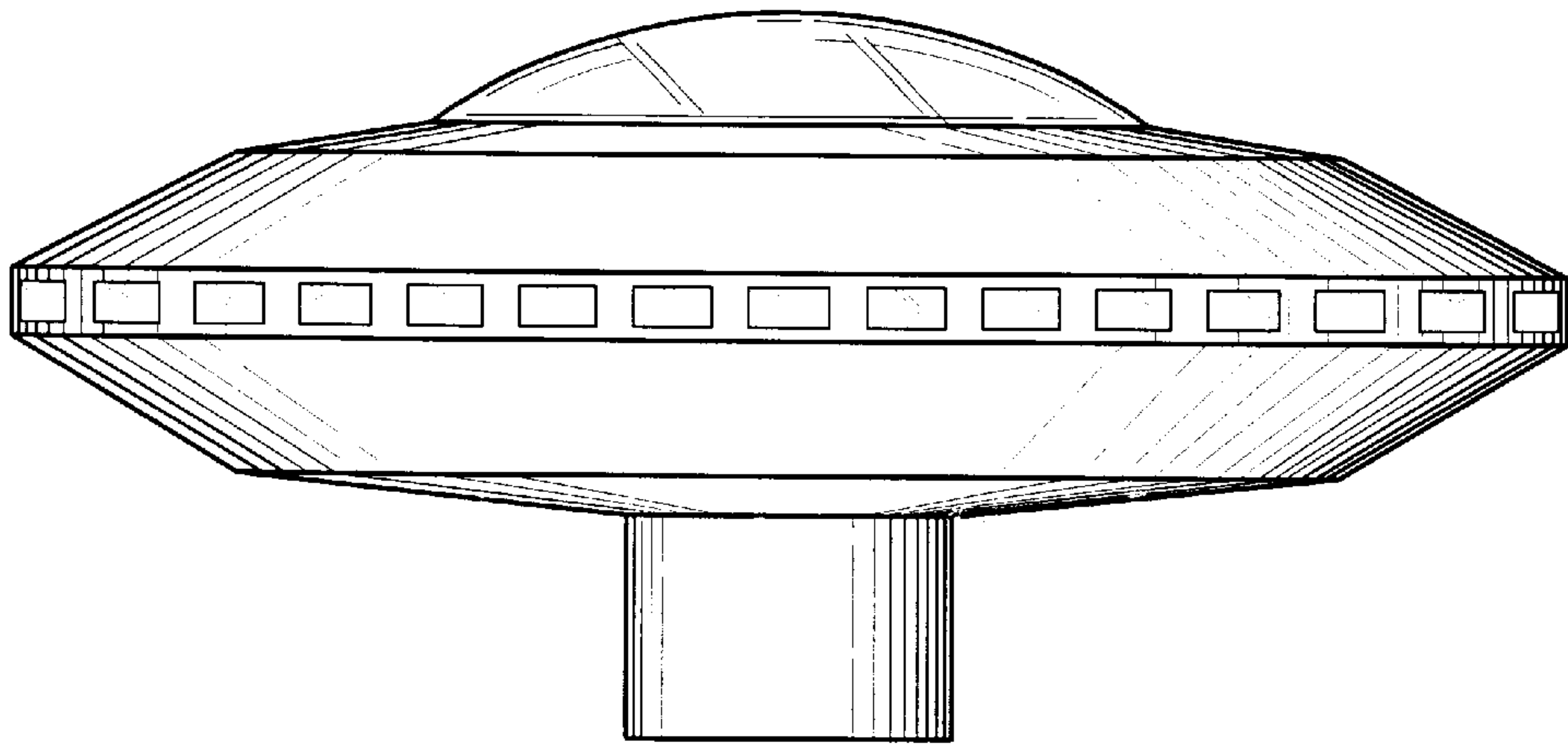


FIG. 4

