



US00D399573S

United States Patent [19]

Stegmeier et al.

[11] Patent Number: **Des. 399,573**

[45] Date of Patent: ****Oct. 13, 1998**

[54] **FORM BOARD FOR SWIMMING POOL COPING**

[76] Inventors: **William J. Stegmeier**, 1115 Harris Rd., Arlington, Tex. 76017; **John M. Stegmeier**, 3302 Westgrove, Arlington, Tex. 76017

[**] Term: **14 Years**

[21] Appl. No.: **70,142**

[22] Filed: **May 1, 1997**

[51] **LOC (6) Cl.** **25-03**

[52] **U.S. Cl.** **D25/2; D25/119; D25/199**

[58] **Field of Search** **D25/136, 2, 119, D25/199; 4/506, 488, 496**

[56] **References Cited**

U.S. PATENT DOCUMENTS

D. 249,164	8/1978	Grant	D25/199
D. 284,971	8/1986	Deason	D15/136
3,778,019	12/1973	Stegmeier	12/73
3,872,195	3/1975	Stegmeier	264/35
4,318,254	3/1982	Stegmeier	52/169.7
4,574,017	3/1986	Stegmeier	156/60
4,967,424	11/1990	Stegmeier	4/496
5,170,517	12/1992	Stegmeier	4/496

Primary Examiner—Doris Clark
Attorney, Agent, or Firm—Daniel Rubin

[57] **CLAIM**

The ornamental design of a form board for swimming pool coping, as shown and described.

DESCRIPTION

FIG. 1 is a front perspective view of the form board for swimming pool coping of the invention shown broken away to indicate indeterminate length;

FIG. 2 is a fragmentary top view of one of the broken away portions;

FIG. 3 is a fragmentary bottom view of one of the broken away portions;

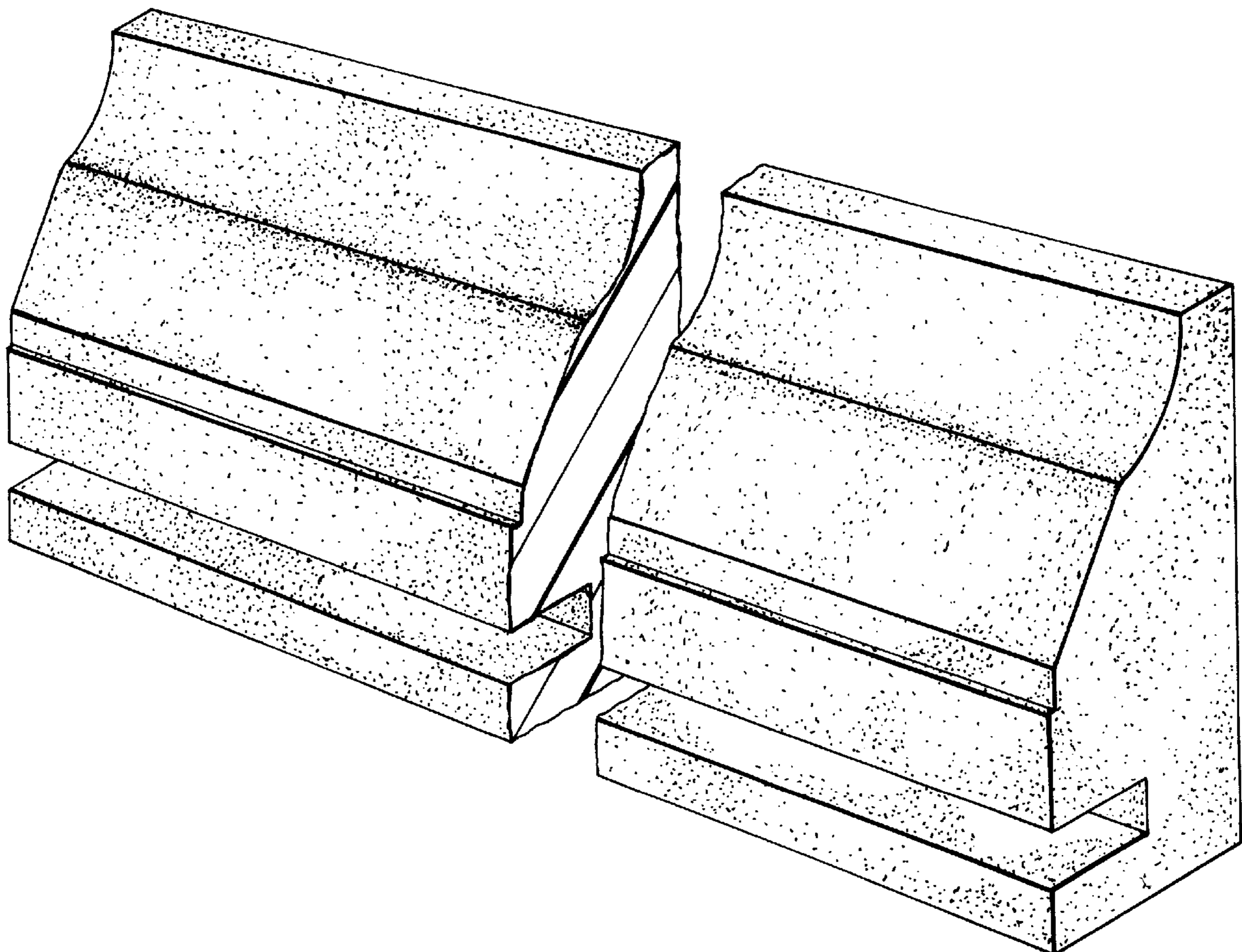
FIG. 4 is a fragmentary front view of one of the broken away portions;

FIG. 5 is a fragmentary rear view of one of the broken away portions; and,

FIG. 6 is a left side elevational view thereof, the right side elevation being a mirror image thereof.

The characteristic feature of the design resides in the frontal upper portion, having a vertical inwardly canted face underlying a horizontal concave recess extending rearwardly upward to its top surface.

1 Claim, 2 Drawing Sheets



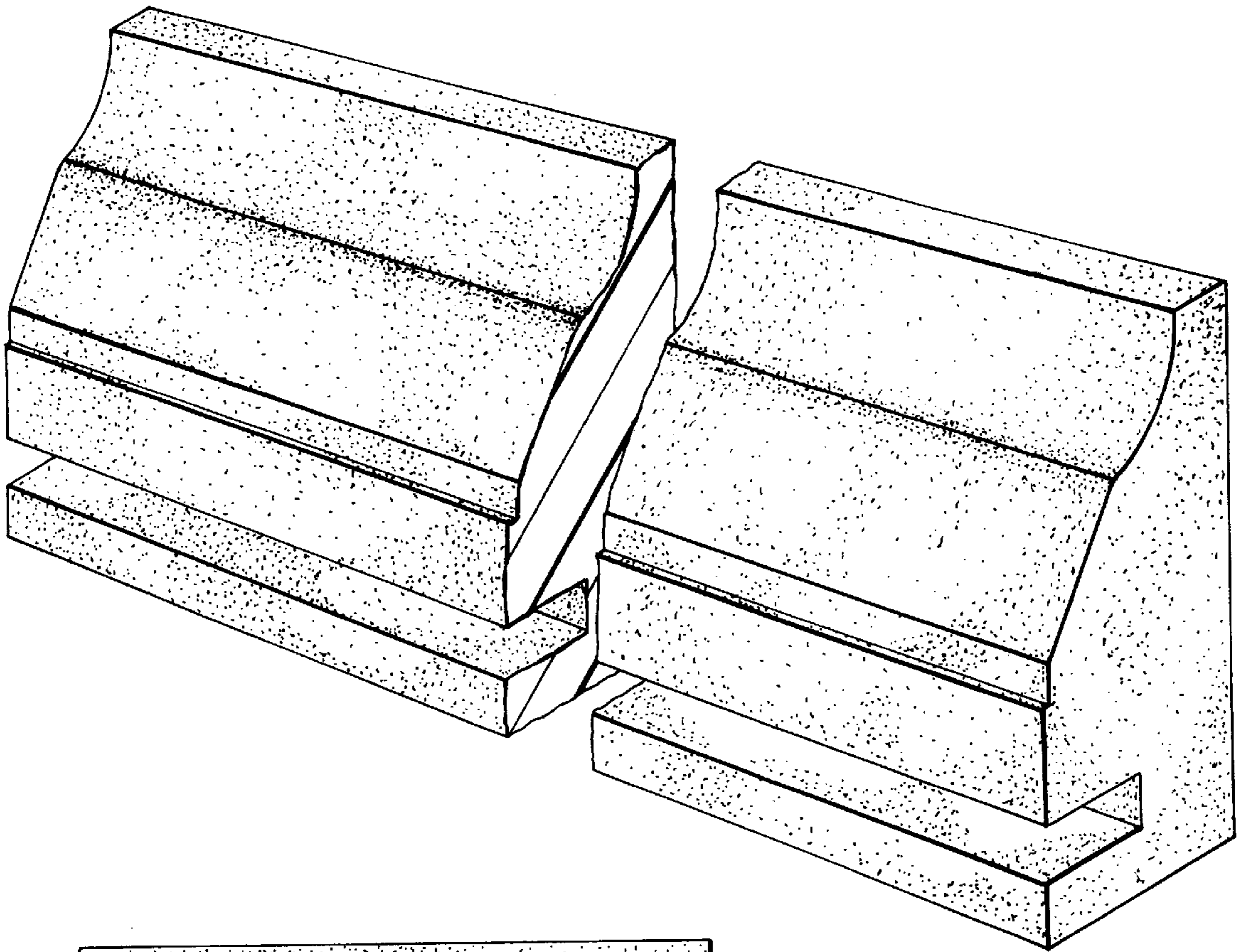


Fig. 1

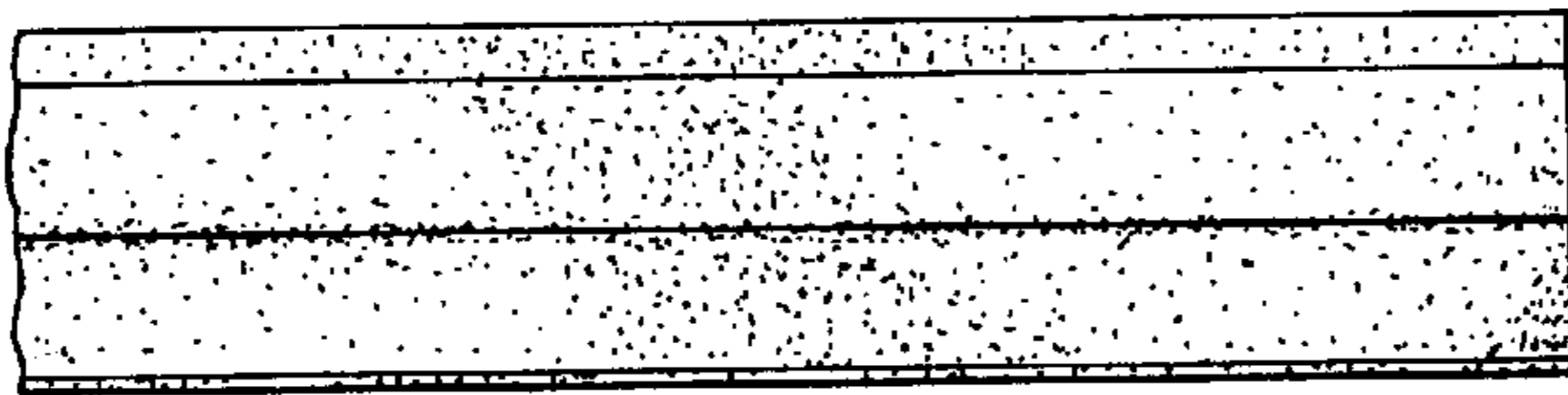


Fig. 2

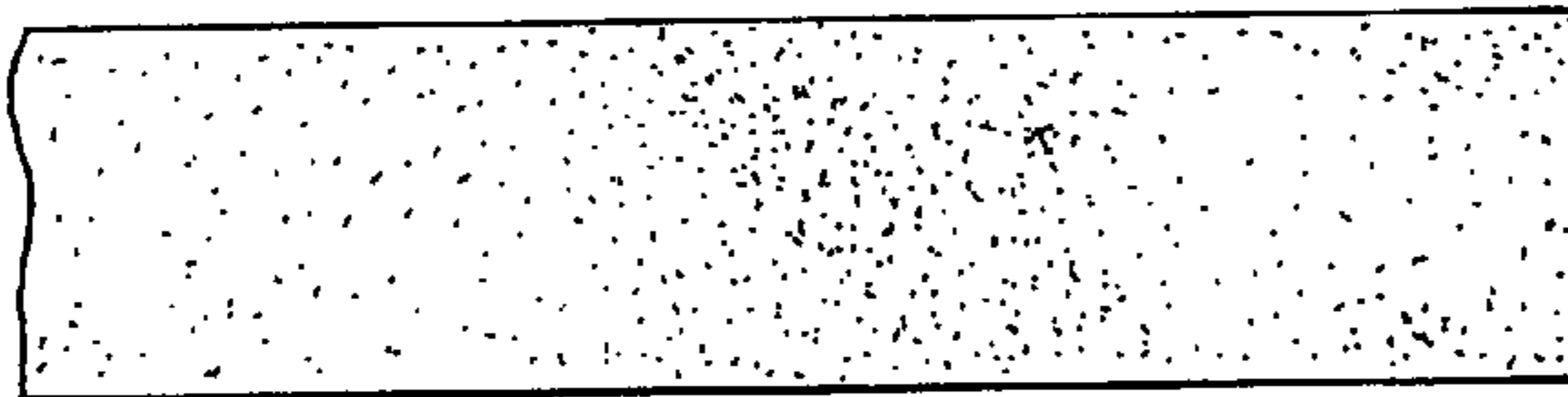


Fig. 3

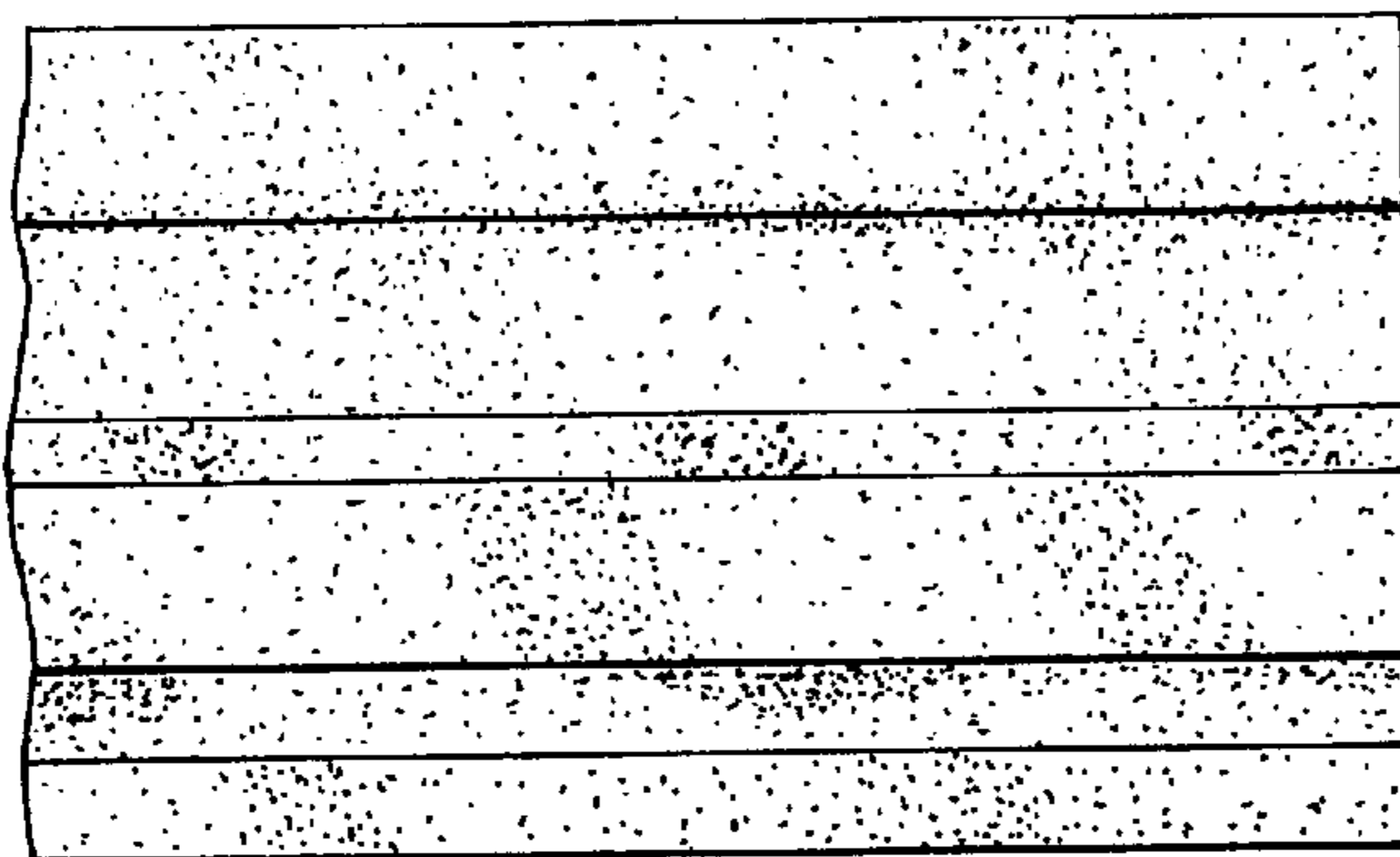


Fig. 4

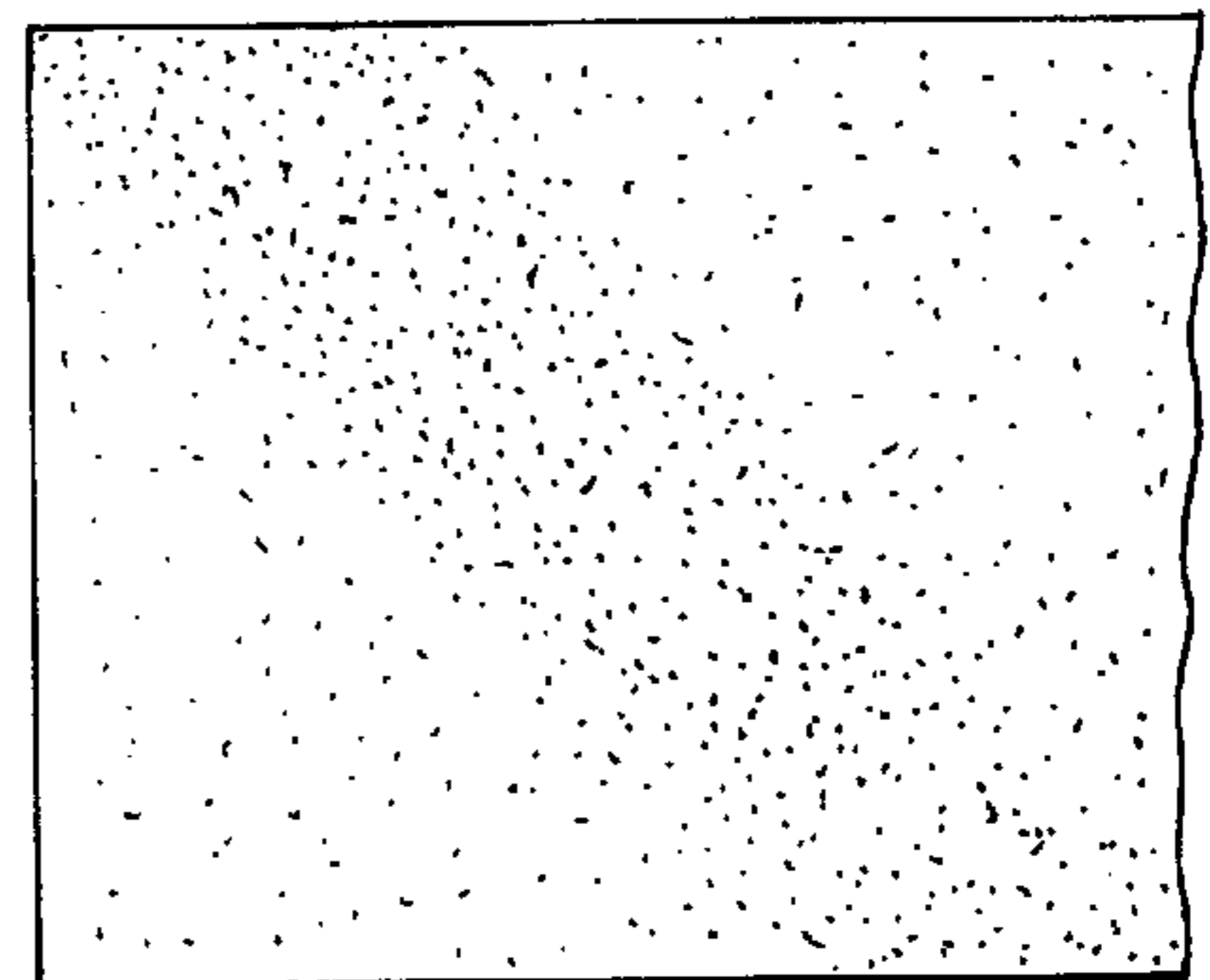


Fig. 5

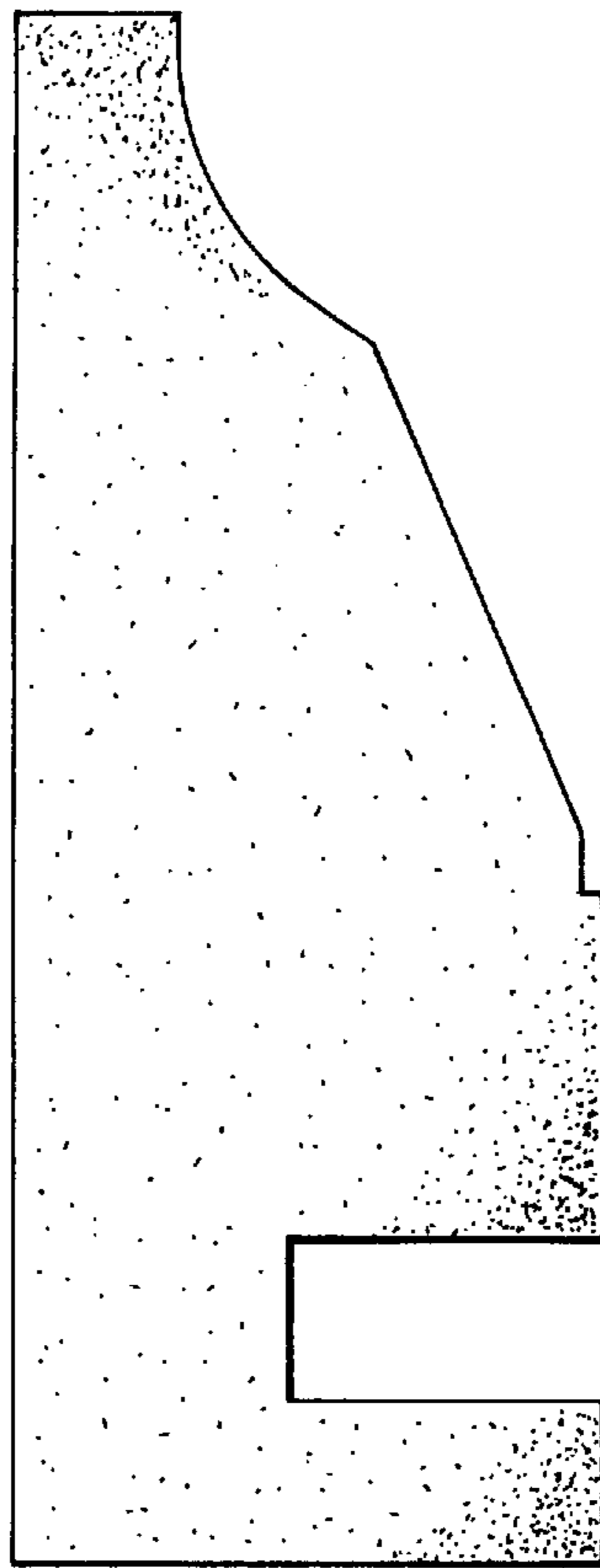


Fig. 6