



US00D399572S

United States Patent [19]

Ota et al.

[11] **Patent Number: Des. 399,572**

[45] **Date of Patent: **Oct. 13, 1998**

[54] **HOUSE UNIT**

5,351,453	10/1994	Leslie	52/79.1
5,444,944	8/1995	Roelofs	52/79.5
5,575,119	11/1996	Wolfowitz	52/79.1

[75] Inventors: **Toshinori Ota**, Tanashi; **Yuichi Arai**,
Yokohama, both of Japan

[73] Assignee: **International Business Machines Corporation**, Armonk, N.Y.

[**] Term: **14 Years**

[21] Appl. No.: **76,293**

[22] Filed: **Sep. 8, 1997**

[30] **Foreign Application Priority Data**

Oct. 3, 1997 [JP] Japan 9-6901

[51] **LOC (6) Cl.** **25-03**

[52] **U.S. Cl.** **D25/1**

[58] **Field of Search** D25/1, 4; 52/79.1,
52/79.5

[56] **References Cited**

U.S. PATENT DOCUMENTS

D. 370,982 6/1996 Shane D25/1

Primary Examiner—Doris Clark
Attorney, Agent, or Firm—Norman L. Gundel

[57] **CLAIM**

The ornamental design for a house unit, as shown and described.

DESCRIPTION

FIG. 1 is a perspective view of the house unit;
FIG. 2 is a front elevational view thereof;
FIG. 3 is a rear elevational view thereof;
FIG. 4 is a top plan view thereof;
FIG. 5 is a bottom plan view thereof;
FIG. 6 is a left side elevational view thereof;
FIG. 7 is a right side elevational view thereof; and,
FIG. 8 is a cross section top plan view thereof taken along line 8—8 of FIG. 6.

1 Claim, 5 Drawing Sheets

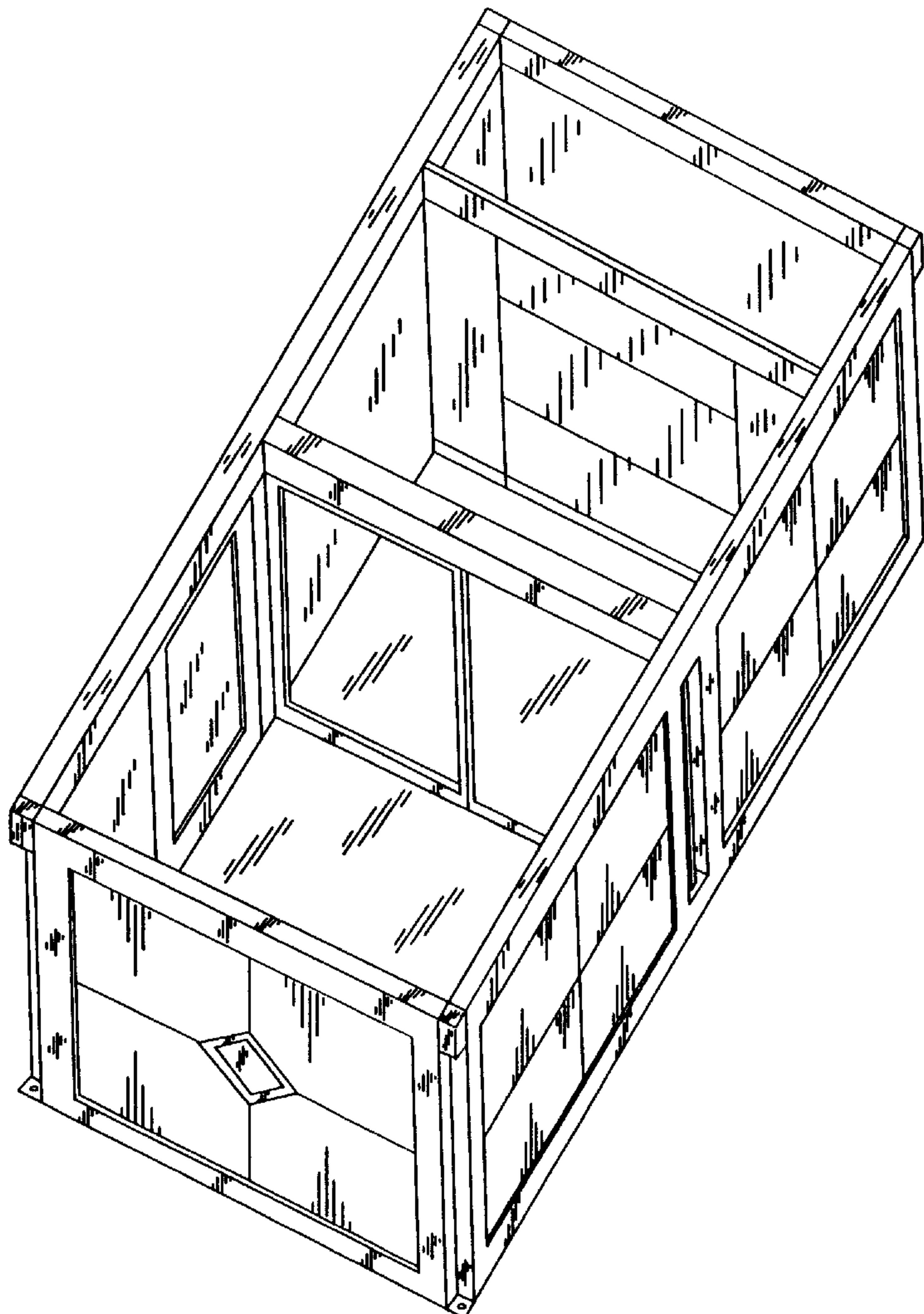


FIG. 1

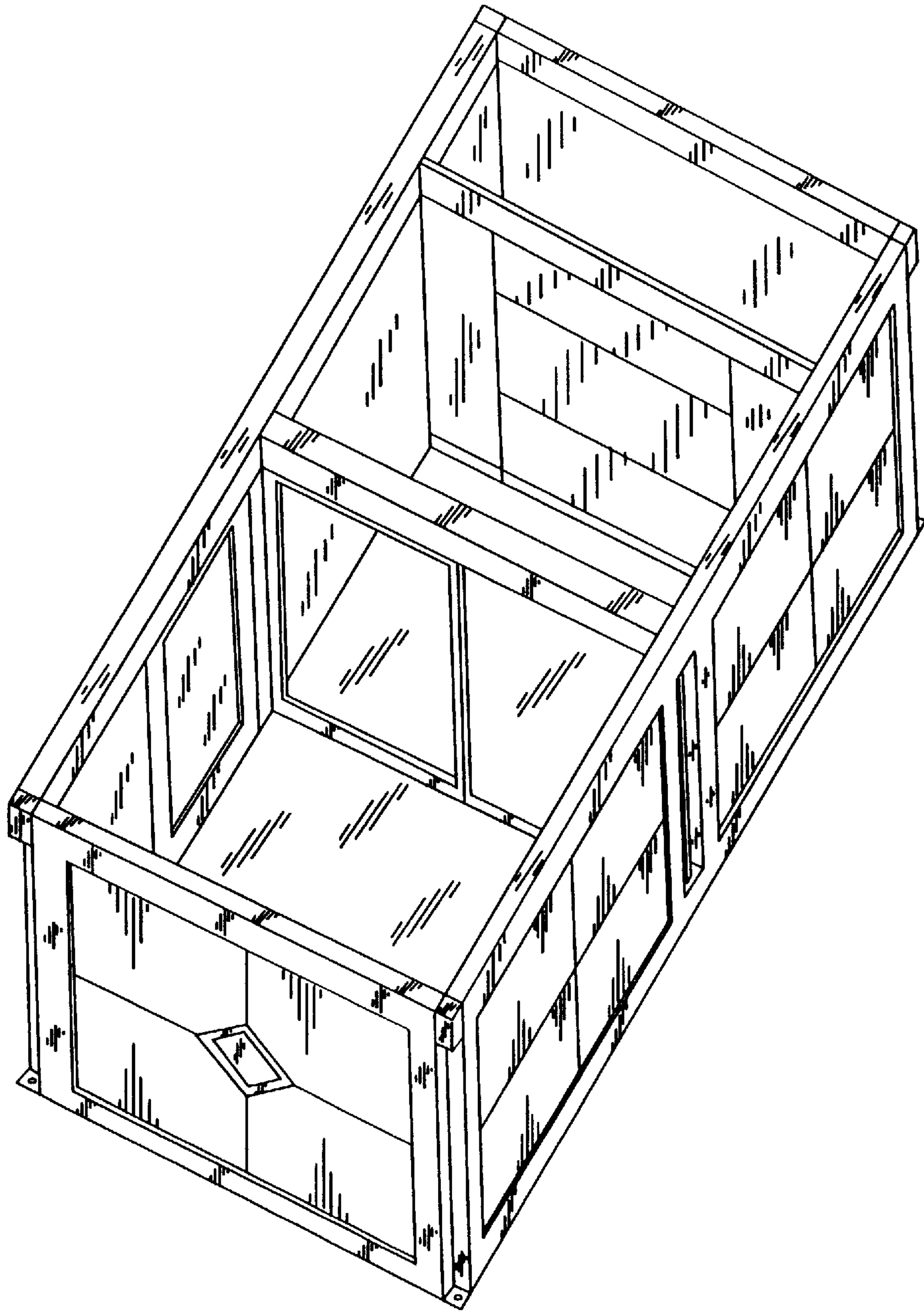


FIG. 2

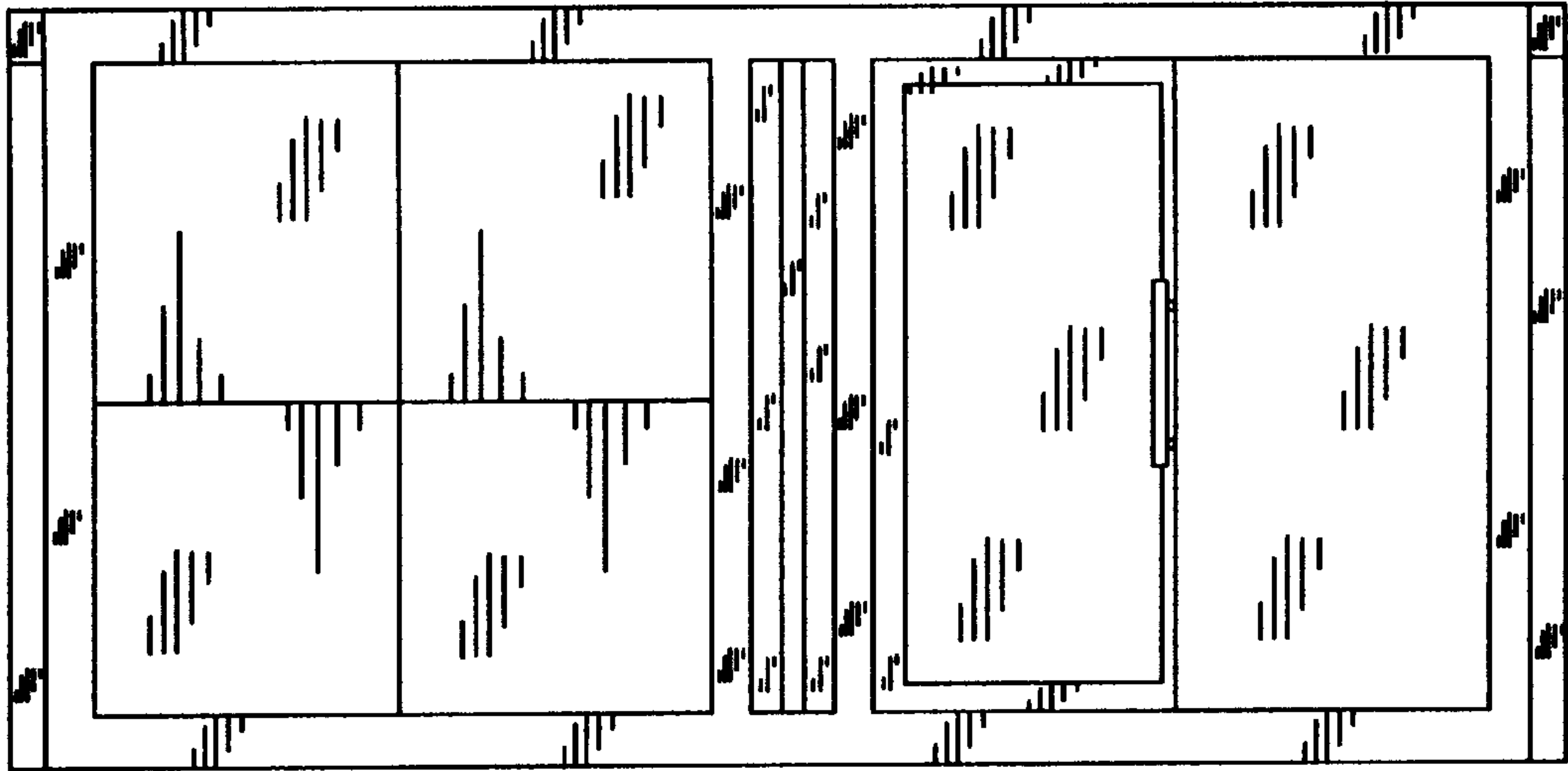


FIG. 3

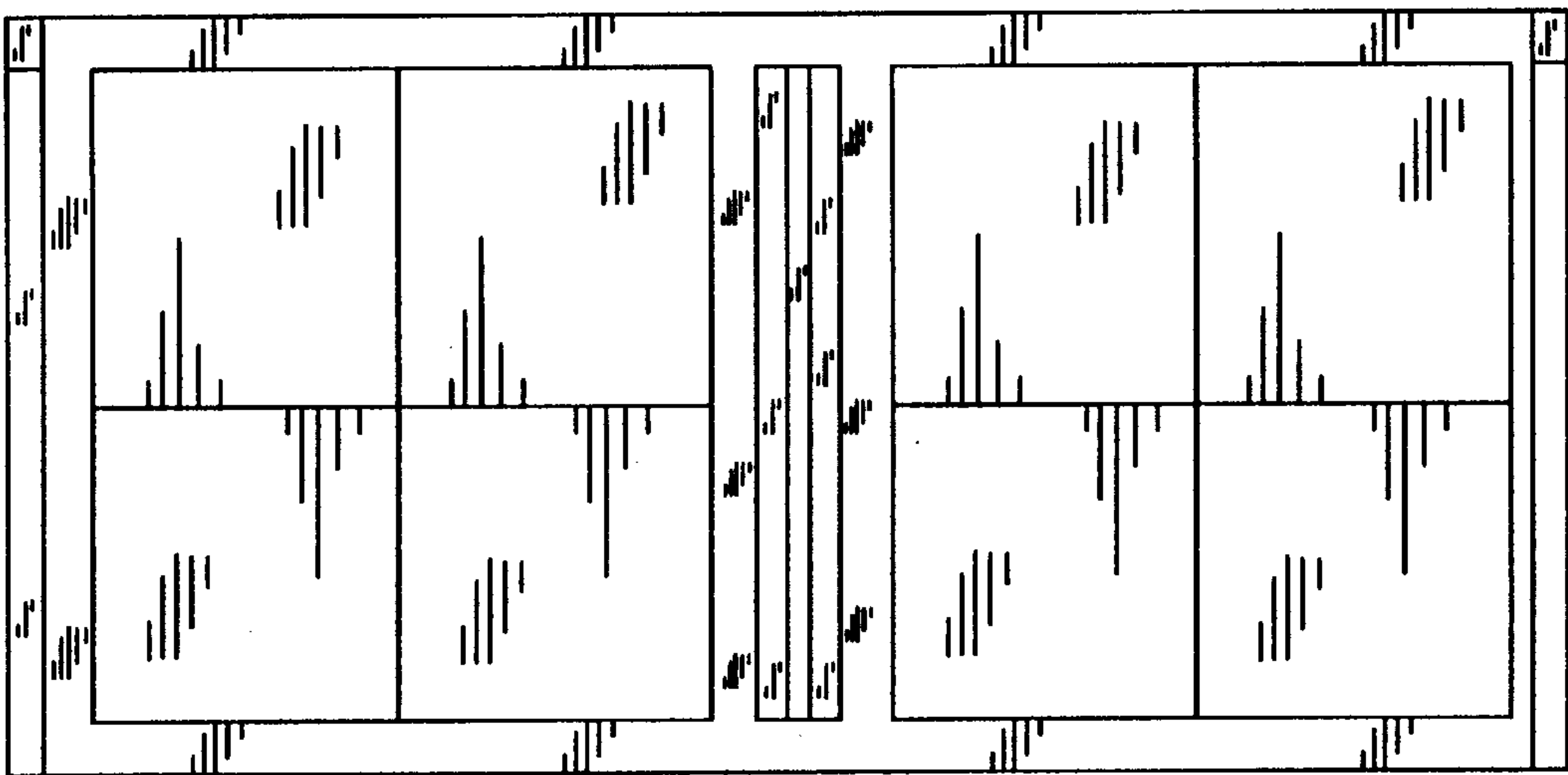


FIG. 4

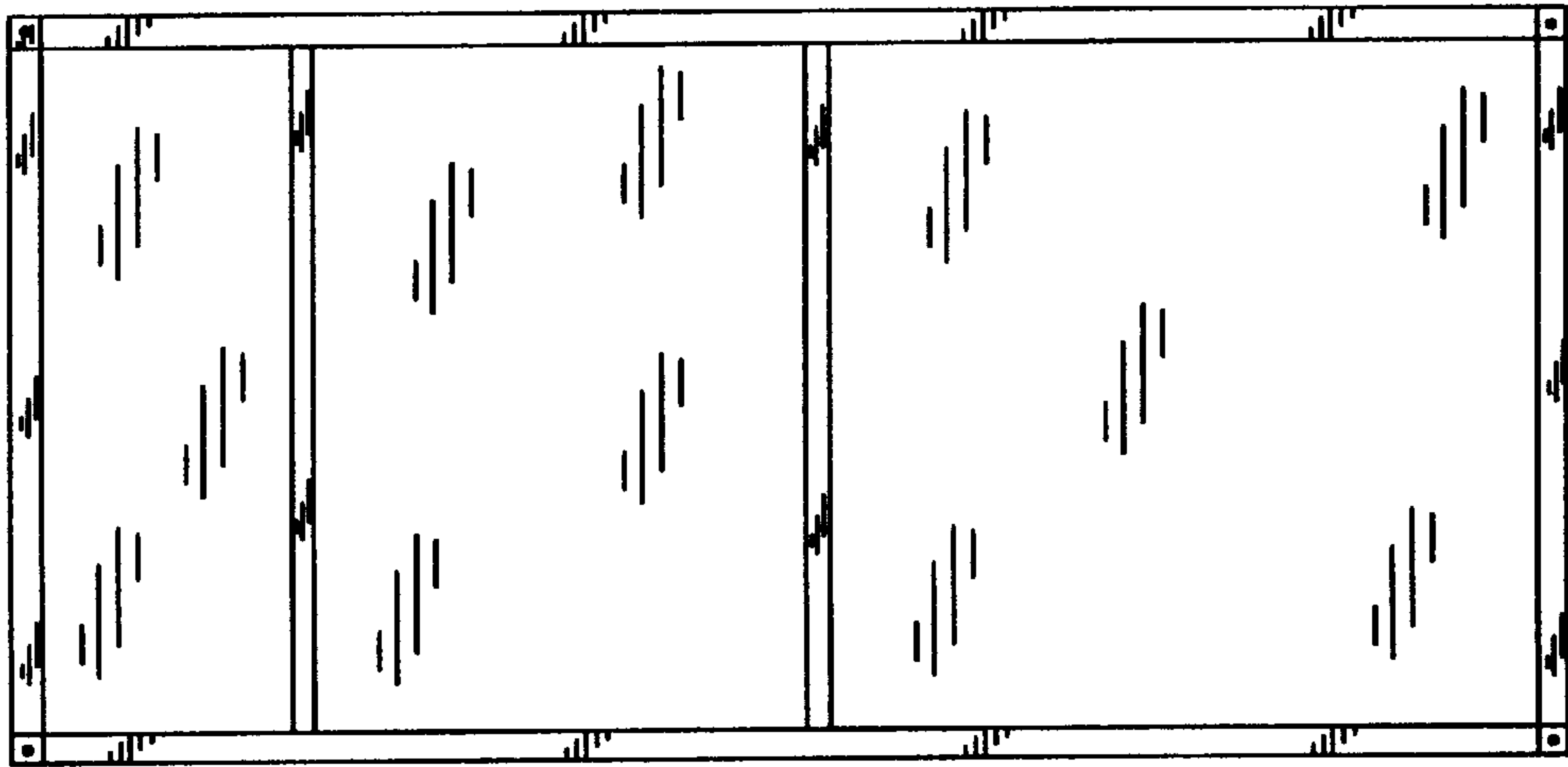


FIG. 5

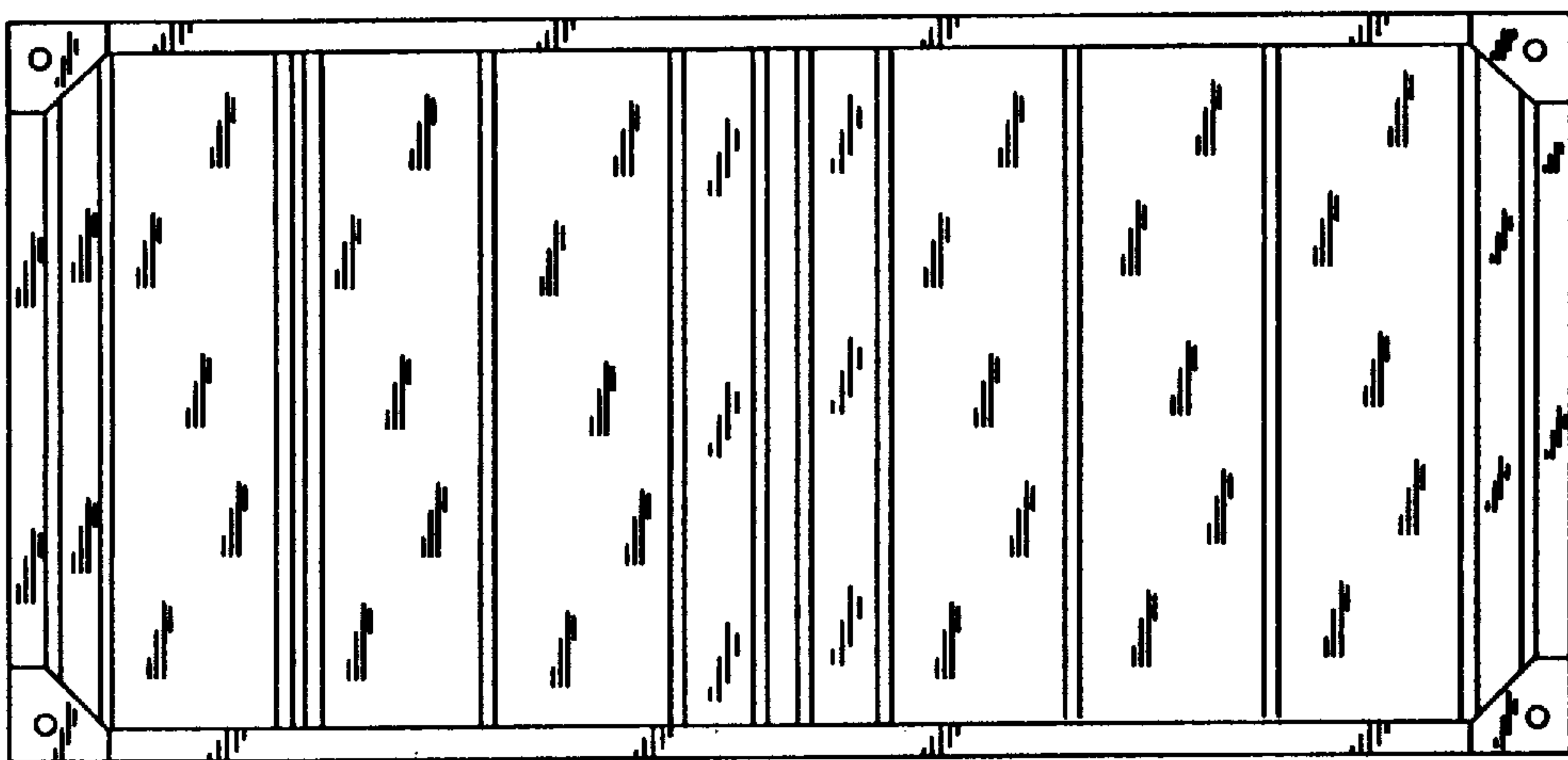


FIG. 6

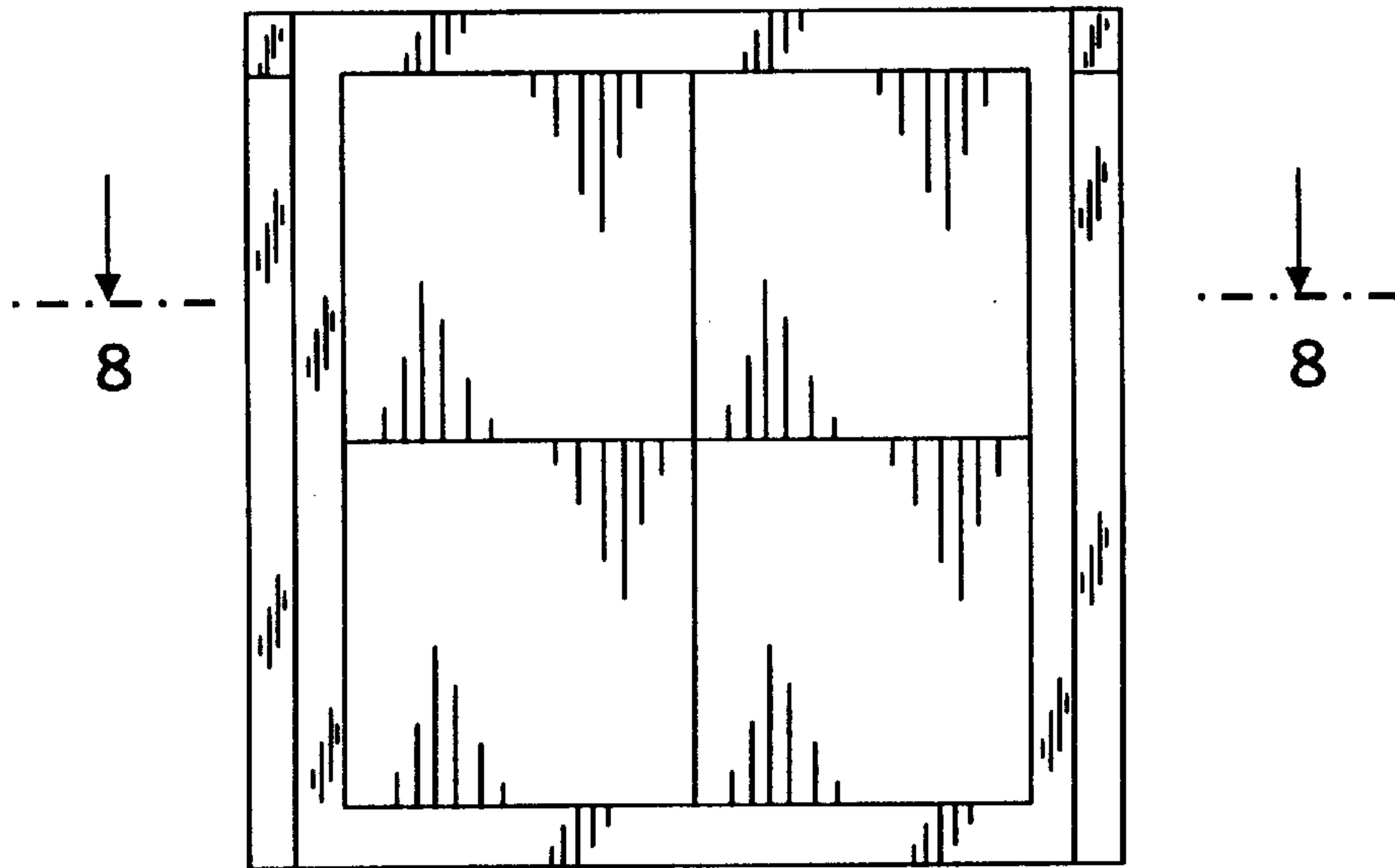


FIG. 7

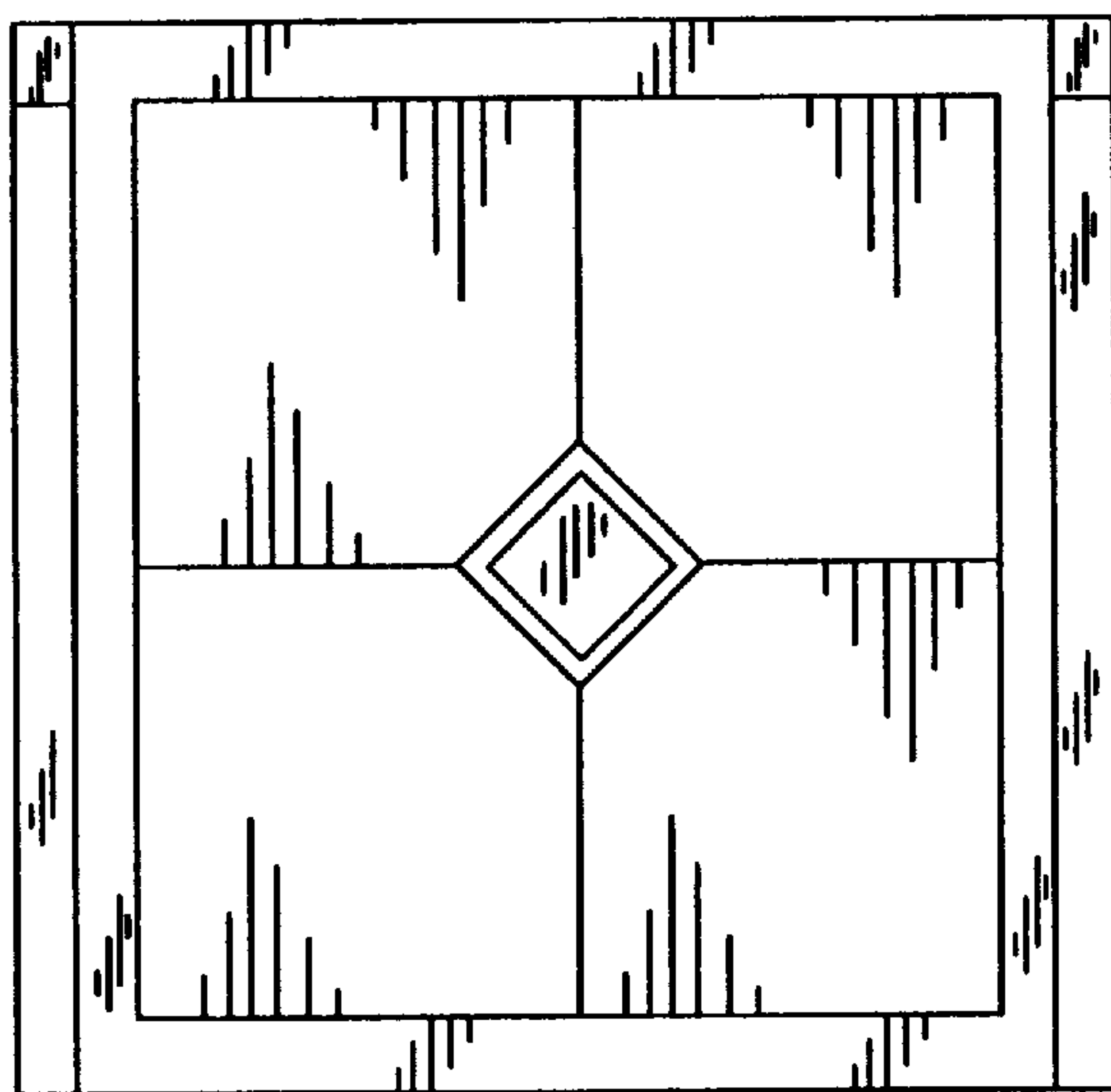


FIG. 8

