



US00D399571S

United States Patent [19]

Kelly et al.

[11] Patent Number: **Des. 399,571**

[45] Date of Patent: ****Oct. 13, 1998**

[54] **RIBBED COLLECTION TUBE**

[75] Inventors: **Karin E. Kelly**, Hoboken; **Gary R. Henniger**, Wayne, both of N.J.

[73] Assignee: **Becton, Dickinson and Company**, Franklin Lakes, N.J.

[**] Term: **14 Years**

[21] Appl. No.: **60,521**

[22] Filed: **Sep. 30, 1996**

[51] **LOC (6) Cl.** **24-01**

[52] **U.S. Cl.** **D24/224**

[58] **Field of Search** D24/224; 422/99, 422/102, 73, 916, 913; 436/165

[56] **References Cited**

U.S. PATENT DOCUMENTS

- D. 209,822 1/1968 Alliger D24/224
- D. 246,800 12/1977 Wong D24/224
- D. 325,444 4/1992 Murashita et al. D24/224

- 3,017,050 1/1962 Barr, Sr. et al. 215/247
- 3,322,114 5/1967 Portnoy et al. 422/102 X
- 4,278,437 7/1981 Hagggar 422/102 X

Primary Examiner—Stella Reid
Attorney, Agent, or Firm—Nanette S. Thomas

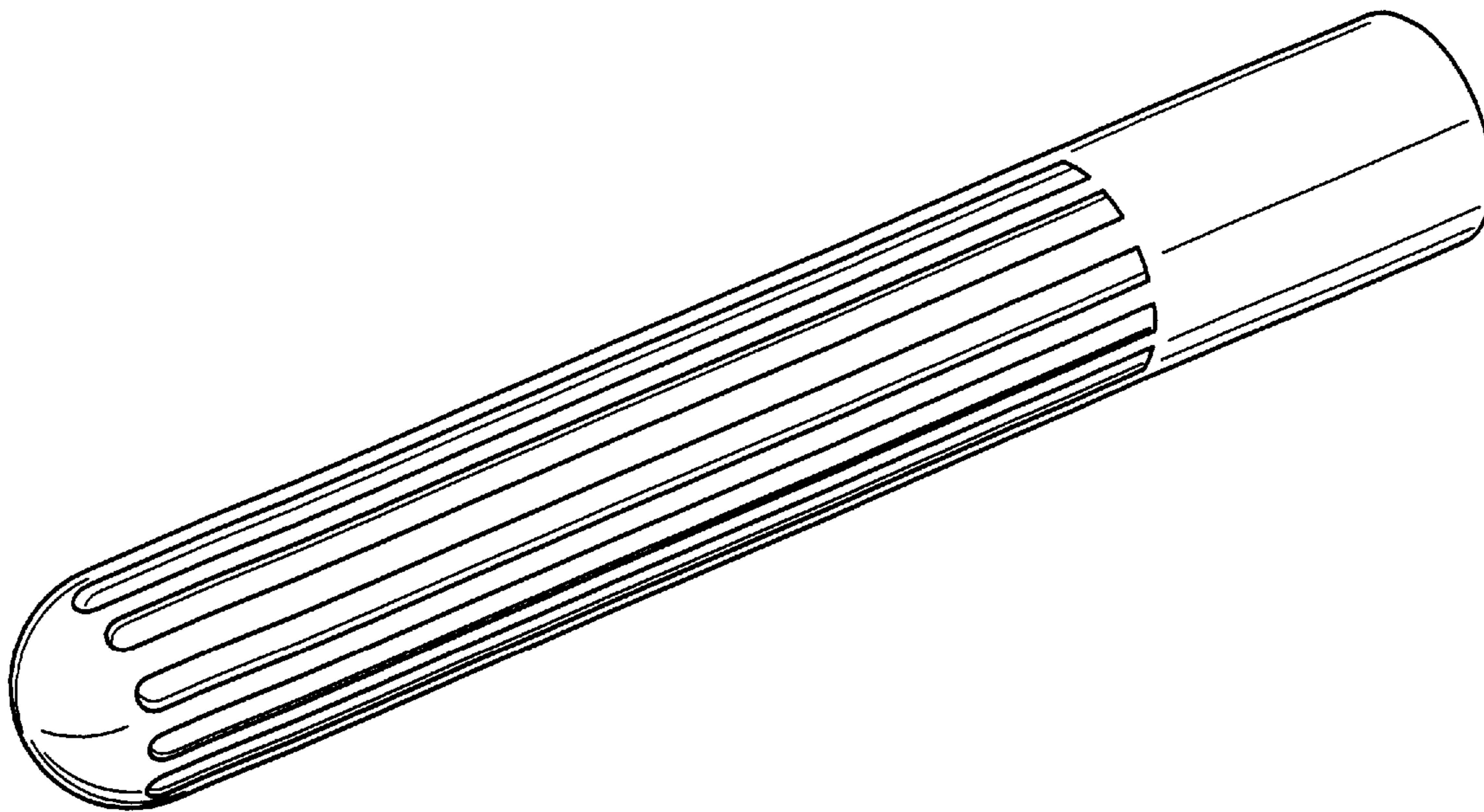
[57] **CLAIM**

The ornamental design for a ribbed collection tube, as shown and described.

DESCRIPTION

FIG. 1 is a perspective view of the ribbed collection tube; FIG. 2 is a side elevational view; FIG. 3 is a side elevational view of the collection tube rotated 90°; FIG. 4 is a bottom plan view of the collection tube of FIG. 2; and, FIG. 5 is a top plan view of the collection tube of FIG. 2. The undisclosed sides of FIGS. 2 and 3 are identical to that shown.

1 Claim, 2 Drawing Sheets



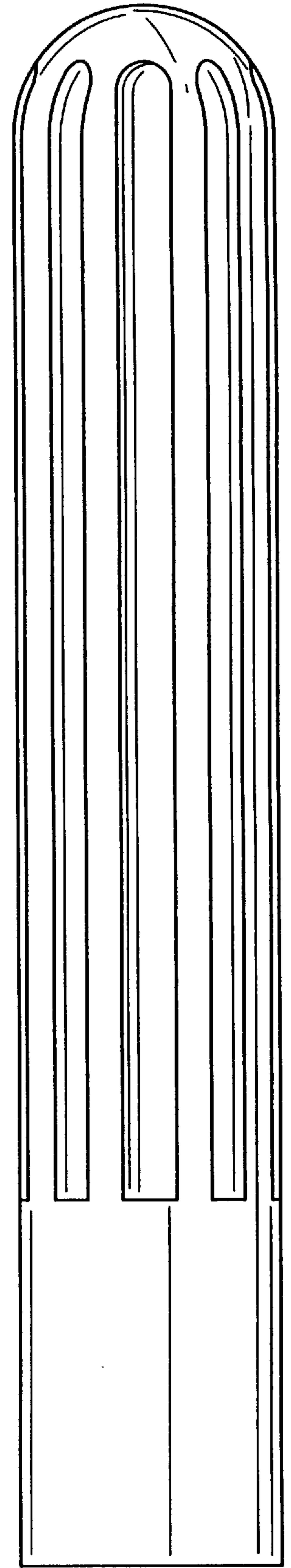
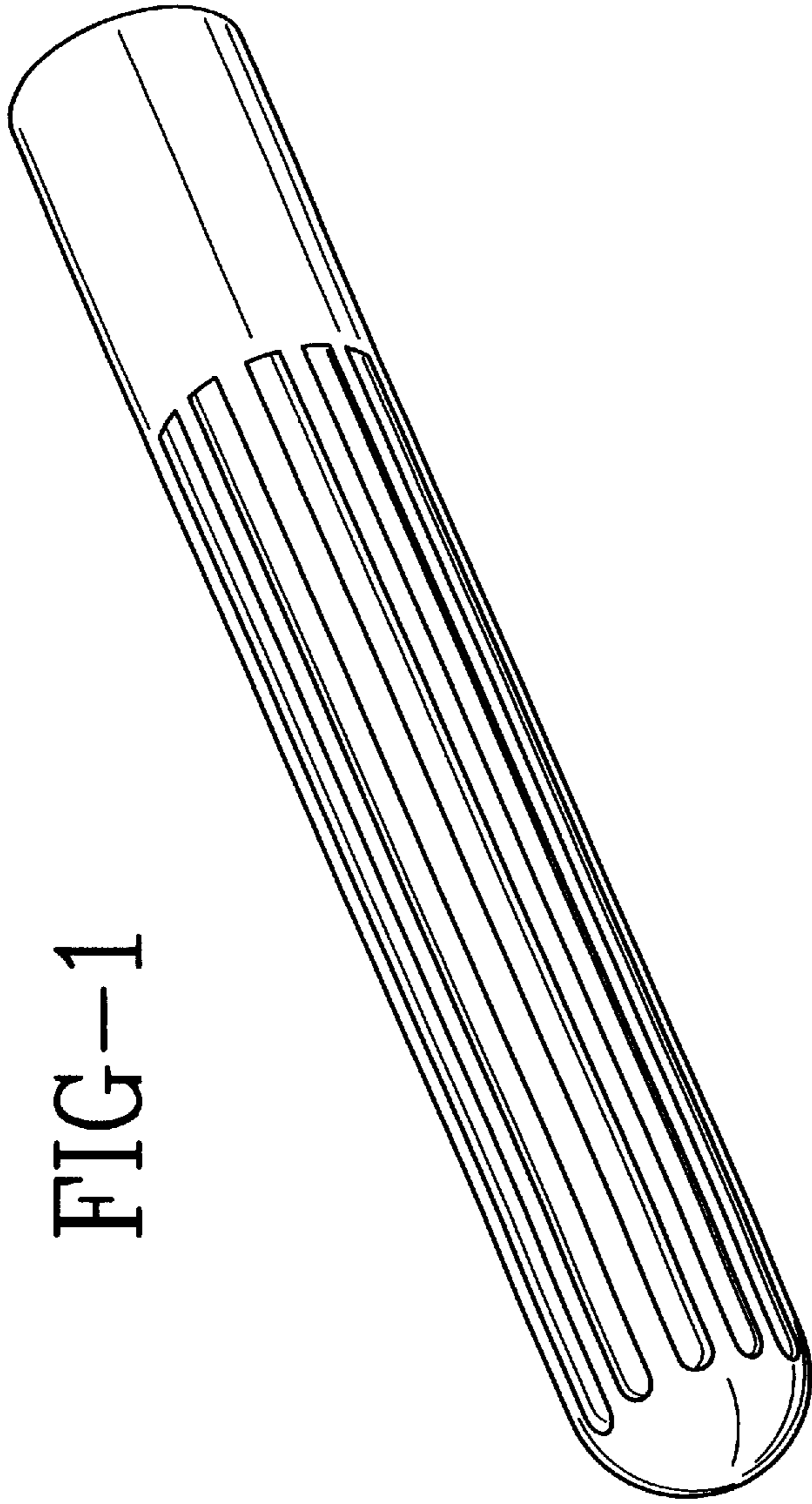


FIG-3

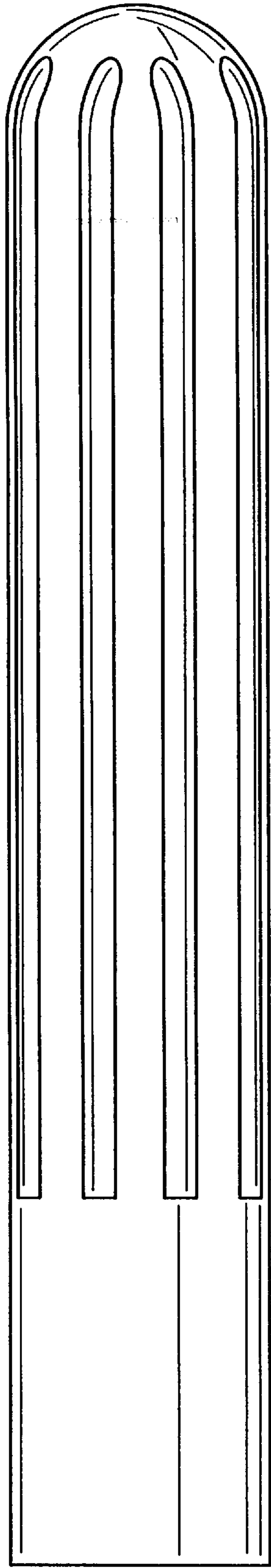


FIG-4

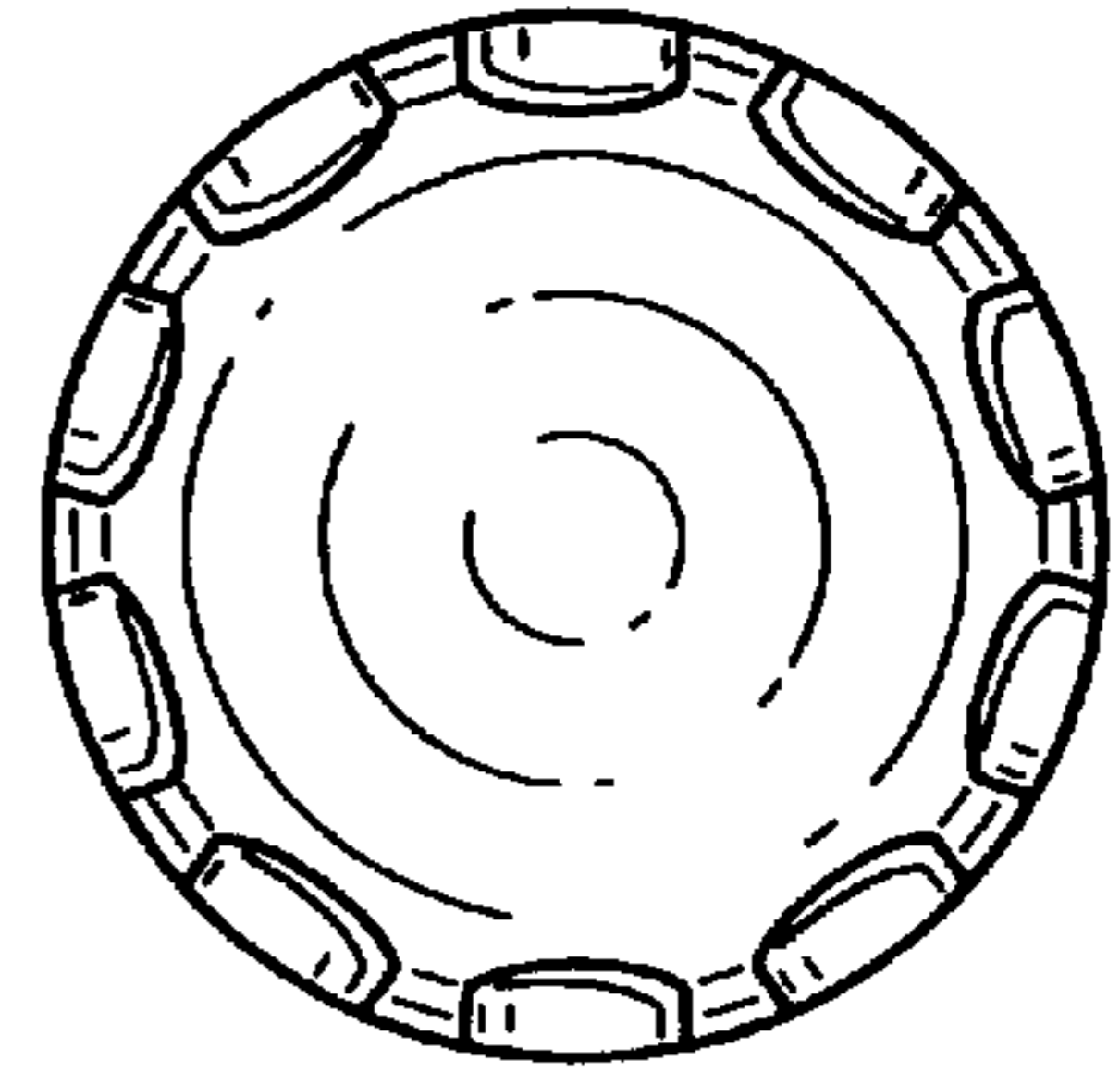


FIG-5

