



US00D399565S

United States Patent [19]

[11] **Patent Number: Des. 399,565**

Prokop et al.

[45] **Date of Patent: **Oct. 13, 1998**

[54] **HOUSING FOR A DEVICE FOR MEASURING THE CONCENTRATION OF AN ANALYTE IN A SAMPLE OF BLOOD**

[75] Inventors: **Gary F. Prokop**, Wheaton, Ill.; **Joshua P. Goldfarb**, Chicago, Ill.

[73] Assignee: **Abbott Laboratories**, Abbott Park, Ill.

[**] Term: **14 Years**

[21] Appl. No.: **65,692**

[22] Filed: **Jan. 24, 1997**

[51] **LOC (6) Cl.** **24-01**

[52] **U.S. Cl.** **D24/169**

[58] **Field of Search** D24/169, 167, D24/165; 128/632, 633, 634, 637, 770, 771; 436/95, 805

[56] **References Cited**

U.S. PATENT DOCUMENTS

D. 318,331	7/1991	Phillips et al.	D24/169
D. 369,864	5/1996	Petersen	D24/169
D. 371,198	6/1996	Savage et al.	D24/169
4,627,445	12/1986	Garcia et al.	128/770
4,787,398	11/1988	Garcia et al.	128/770

OTHER PUBLICATIONS

MediSense, Inc., ExacTech® R·S·G™, Blood Glucose Testing System for In Vitro Diagnostic Use, User's Manual, ©1996, Rev. Sep. 1996.

Lifescan, Inc., SureStep™, Complete Blood Glucose Monitoring System, Owner's Booklet, ©1995.

Lifescan, Inc., ONE Touch® Profile™, Diabetes Tracking System, Owner's Booklet, ©1995.

Miles, Inc., Glucometer ENCORE™, Diabetes Care System, User Guide, ©1994 Rev. Mar. 1994.

MediSense, Inc., Pen™2 Companion™2 Sensor, Blood Glucose Testing System, User's Manual, ©1992, Rev. Dec. 1992.

Lifescan, Inc., ONE TOUCH® Basic™, Blood Glucose Monitoring System, Owner's Booklet, ©1993 Rev. Feb. 1993.

Miles, Inc., Glucometer ELITE™, Diabetes Care System, User Guide, ©1993 Rev. Feb. 1993.

MediSense, Inc., Precision Q·I·D™, Blood Glucose Testing System for In Vitro Diagnostic Use, User's Manual, ©1994, Rev. Dec. 1994.

MediSense, Inc., MediSense®2, Blood Glucose Testing System for In Vitro Diagnostic Use, User's Manual, ©1994, Rev. Dec. 1994.

Boehringer Mannheim Corp., Accu-Chek® Easy™, Blood Glucose Monitoring System, User's Manual, ©1995.

Boehringer Mannheim Corp., Accu-Chek® Instant™, Blood Glucose Monitoring System, User's Manual.

Boehringer Mannheim Corp., Accu-Chek® Advantage™, Blood Glucose Monitor, User's Manual.

Primary Examiner—Stella Reid

Attorney, Agent, or Firm—David L. Weinstein

[57] **CLAIM**

The ornamental design for a housing for a device for measuring the concentration of an analyte in a sample of blood, as shown and described.

DESCRIPTION

FIG. 1 is a perspective view of the housing for a device for measuring the concentration of an analyte in a sample of blood, showing our new design;

FIG. 2 is a perspective view thereof, in open position; the broken line showing of the interior of the housing is for illustrative purposes only and forms no part of the claimed design;

FIG. 3 is a front elevational view thereof;

FIG. 4 is a right side elevational view thereof;

FIG. 5 is a top view thereof;

FIG. 6 is a rear elevational view thereof;

FIG. 7 is a left side elevational view thereof; and,

FIG. 8 is a bottom view thereof.

1 Claim, 3 Drawing Sheets

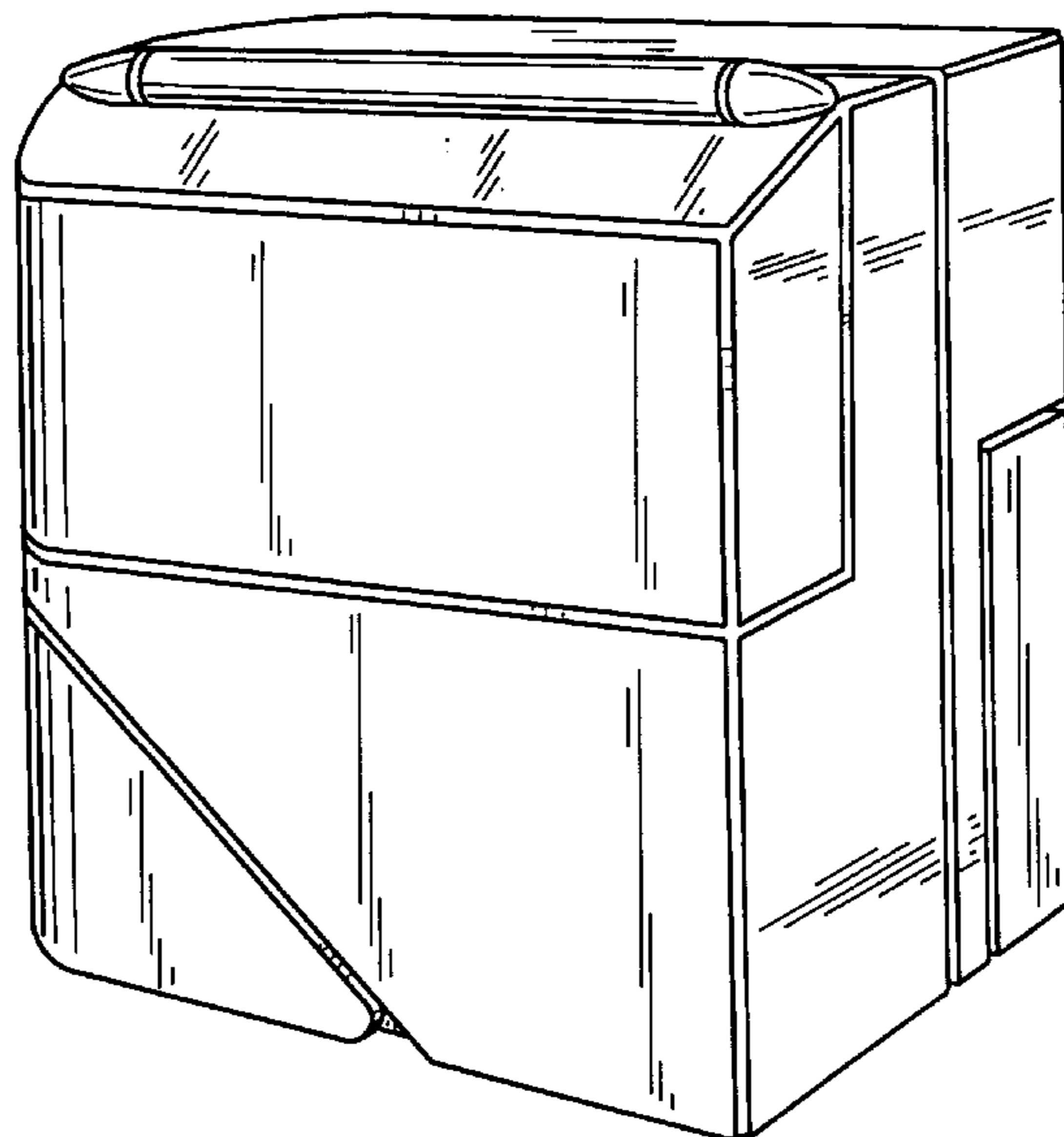


FIG. 1

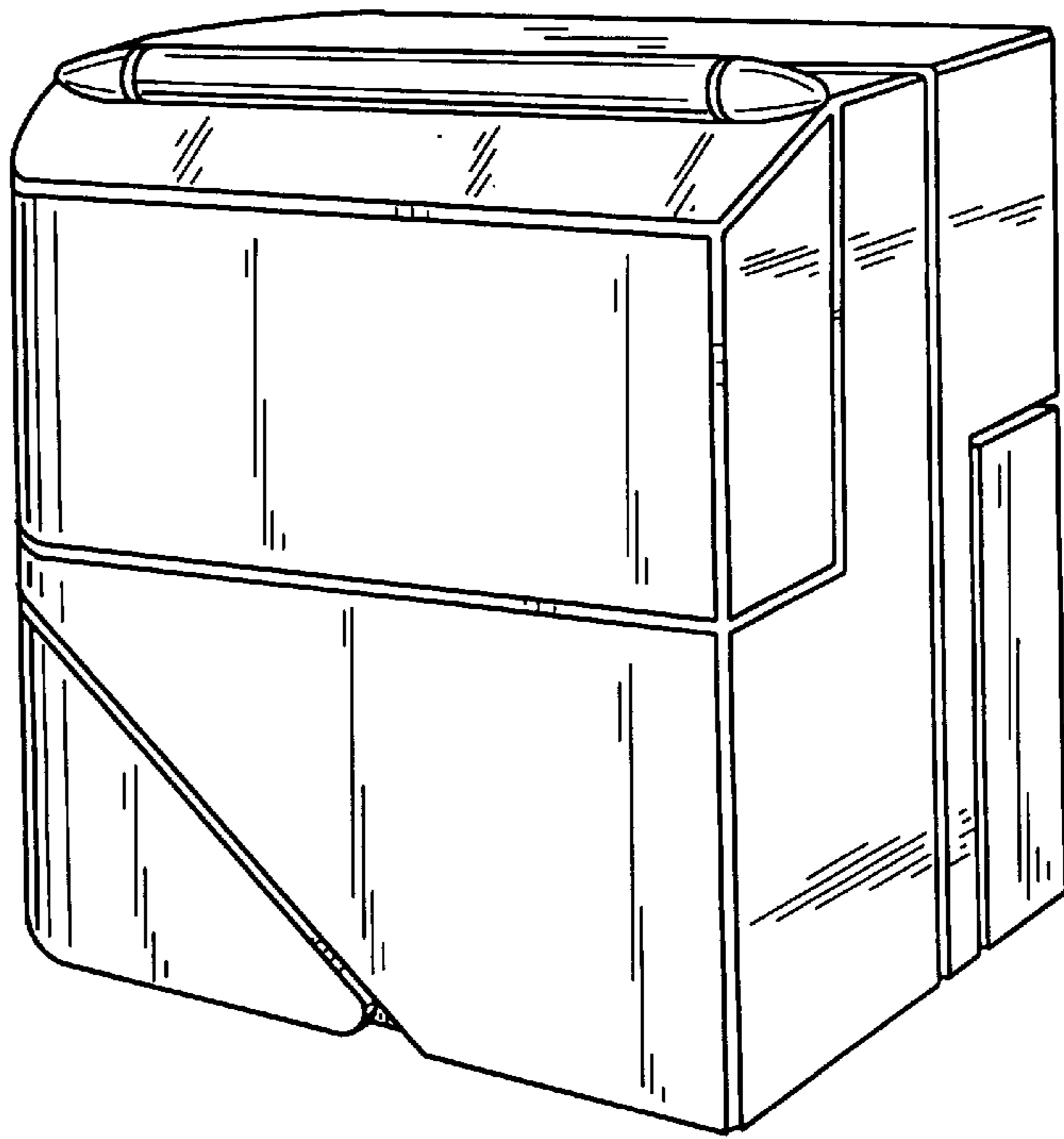


FIG. 2

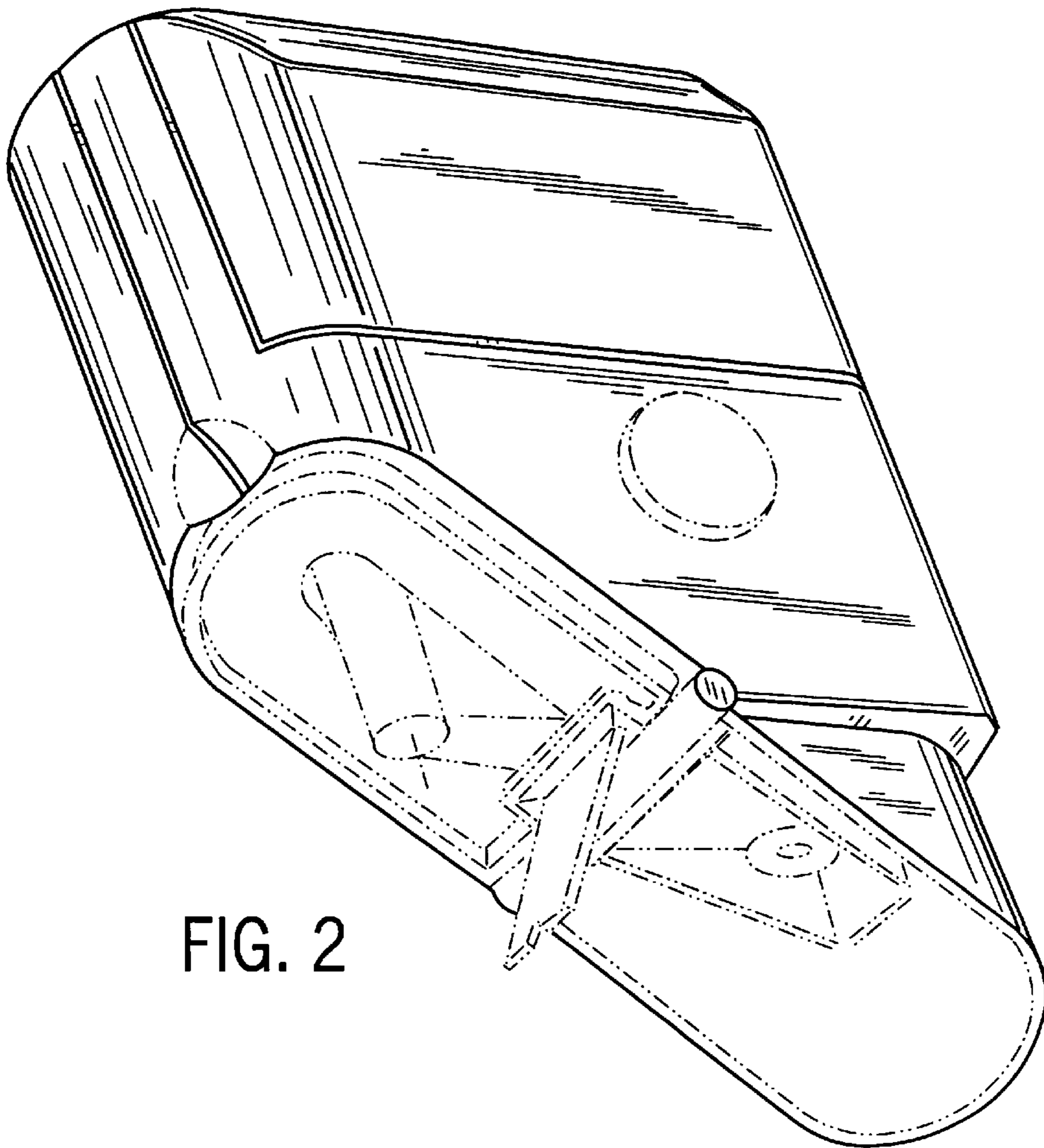


FIG. 5

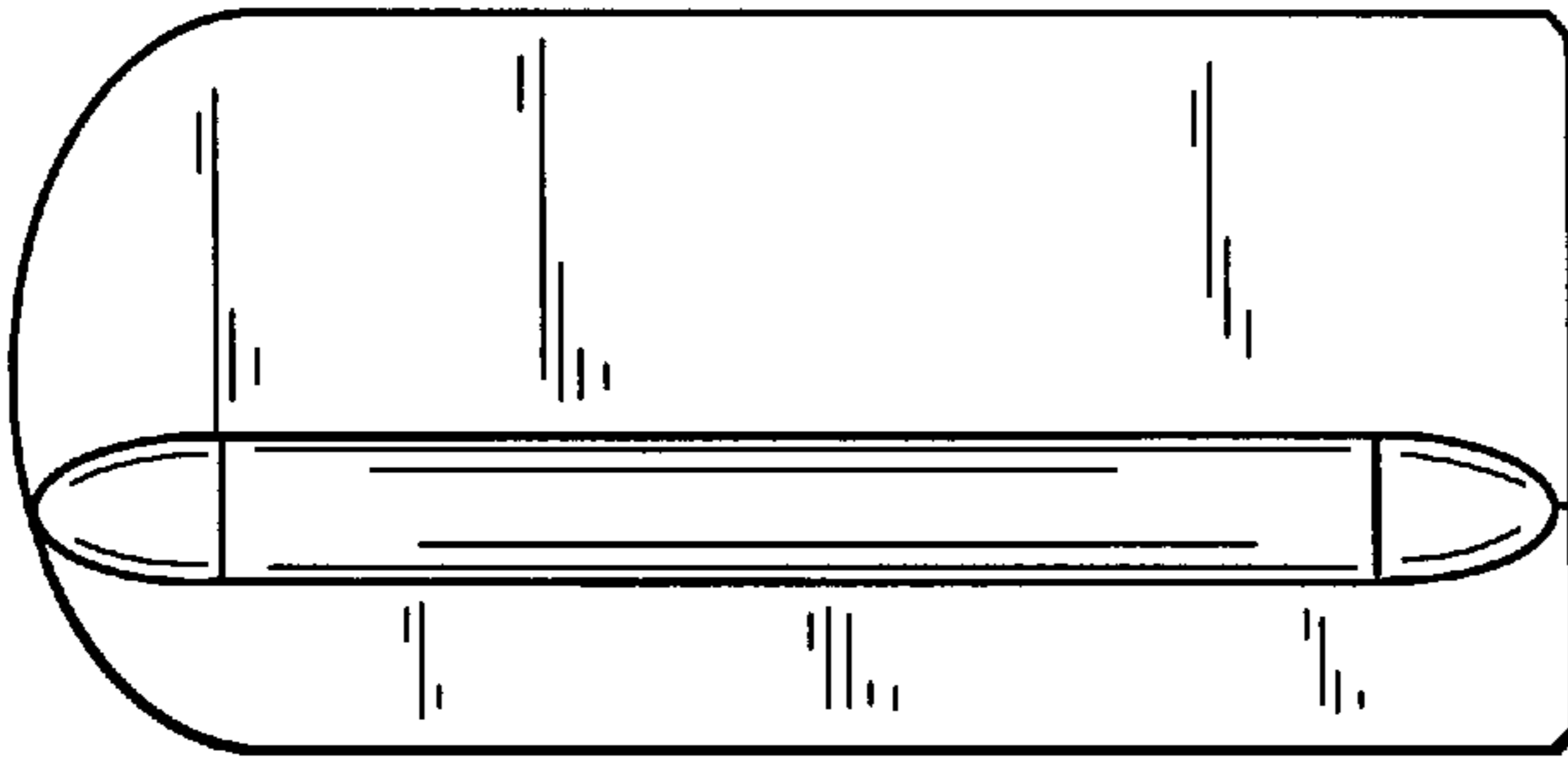


FIG. 3

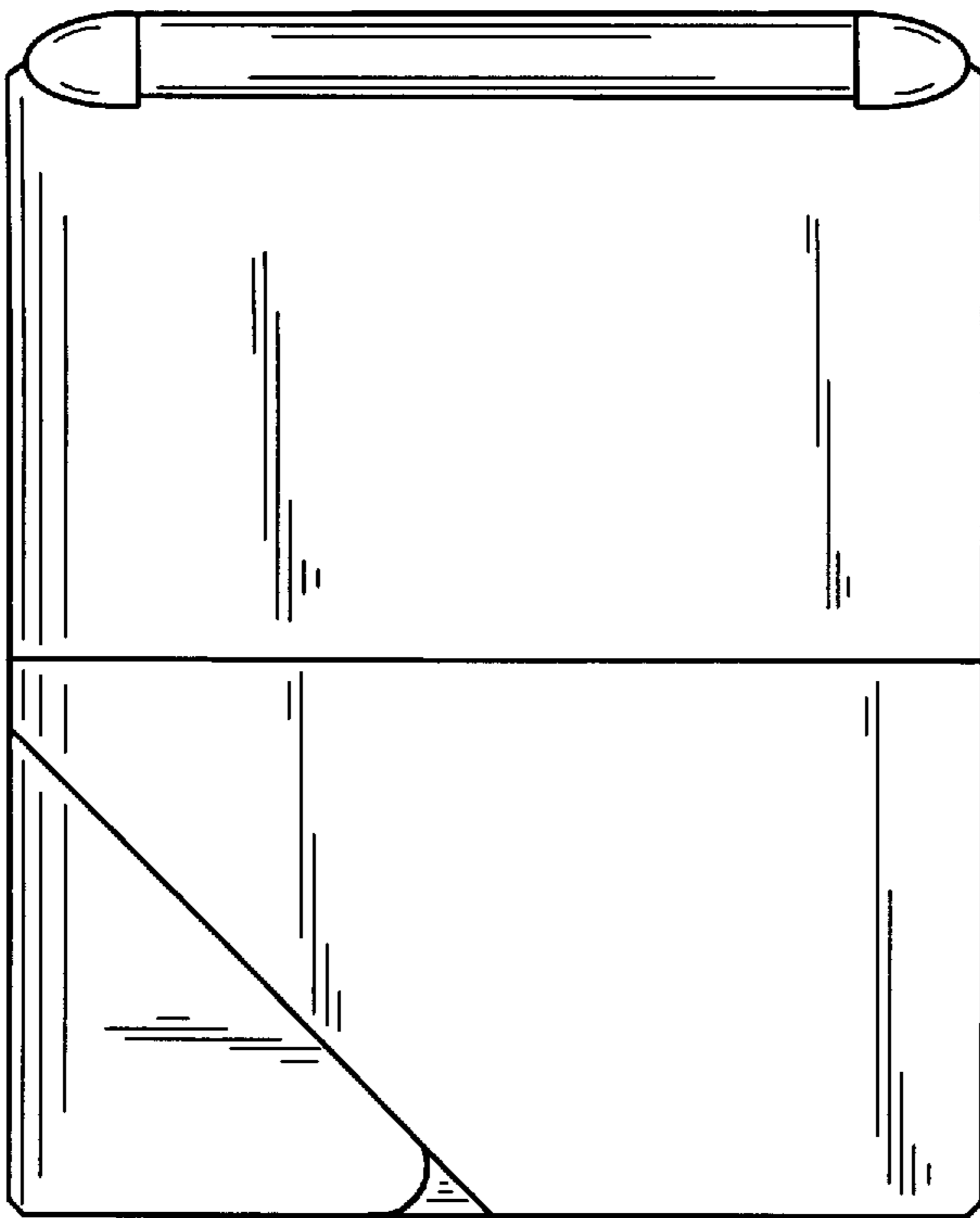
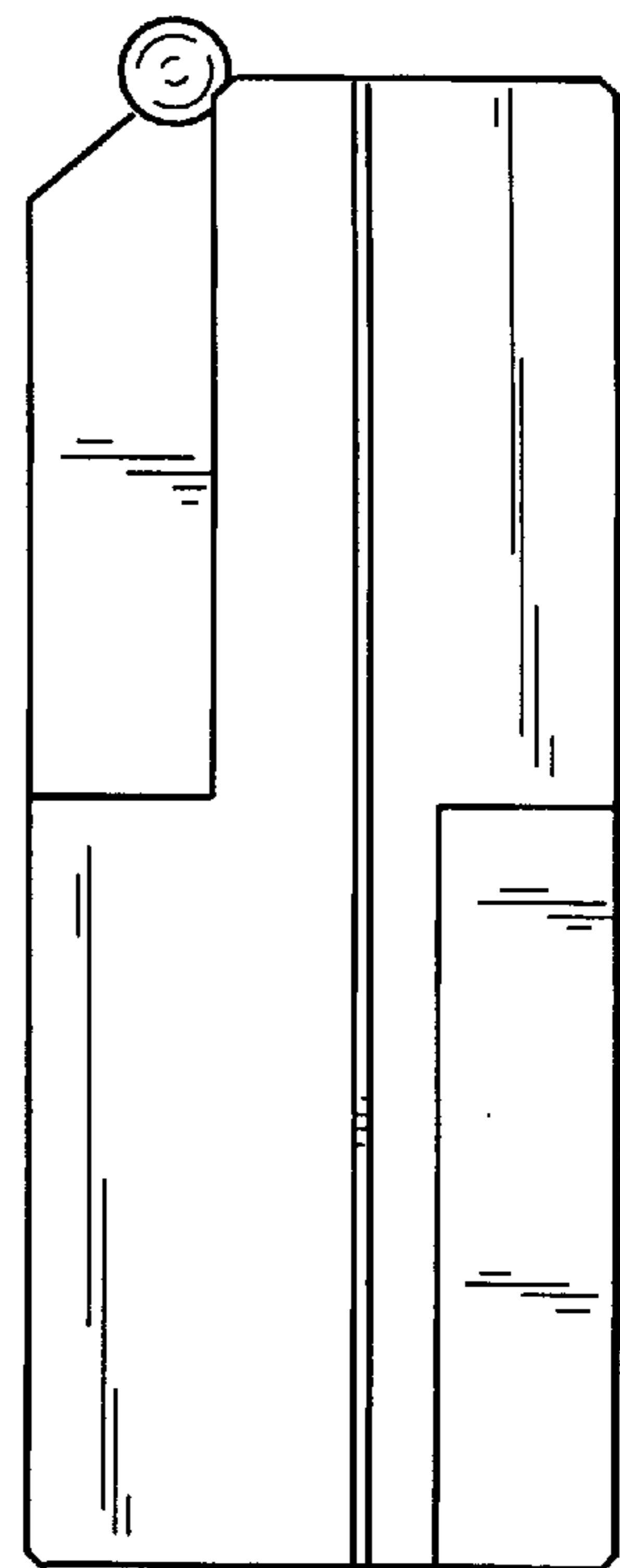


FIG. 4



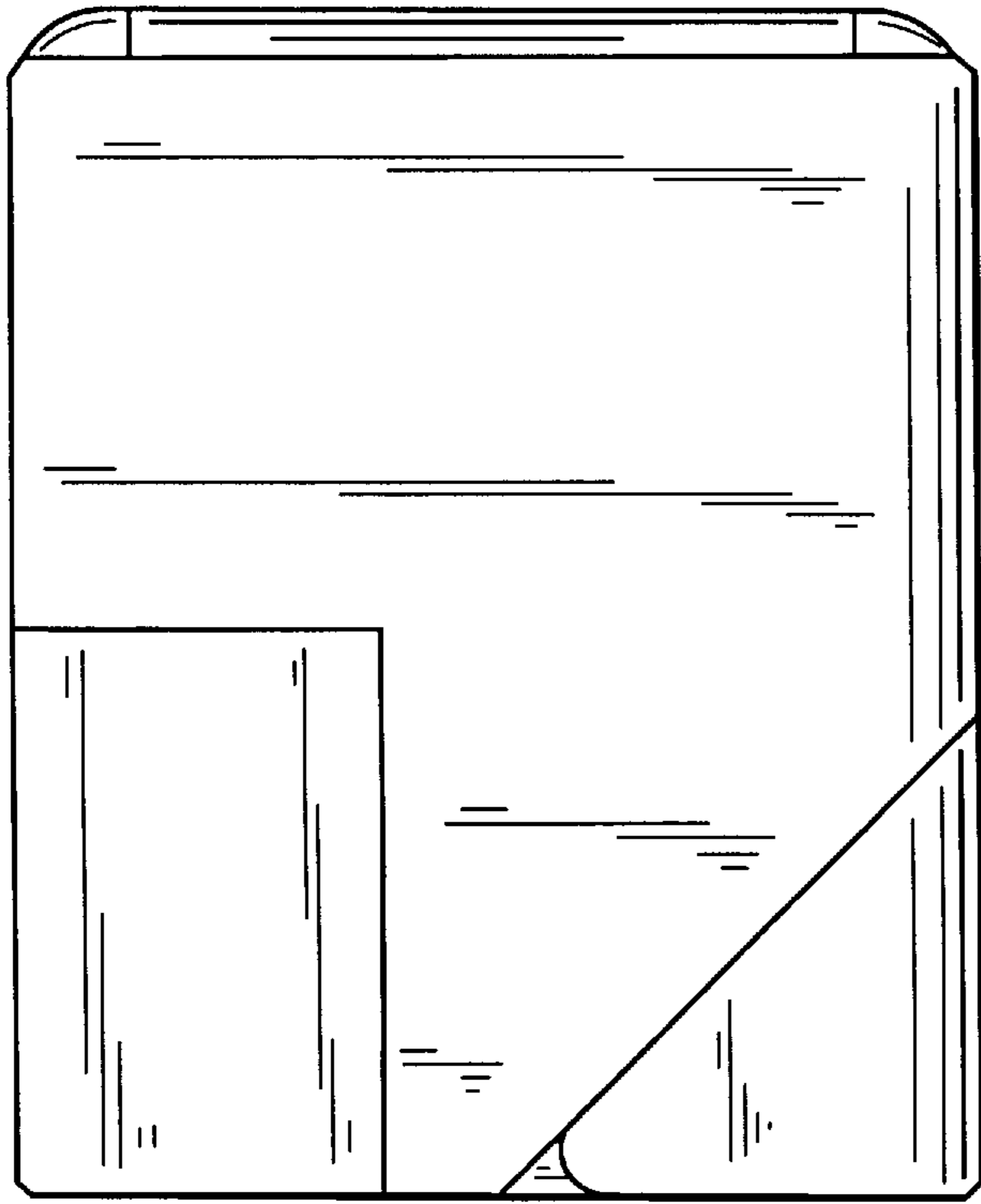


FIG. 6

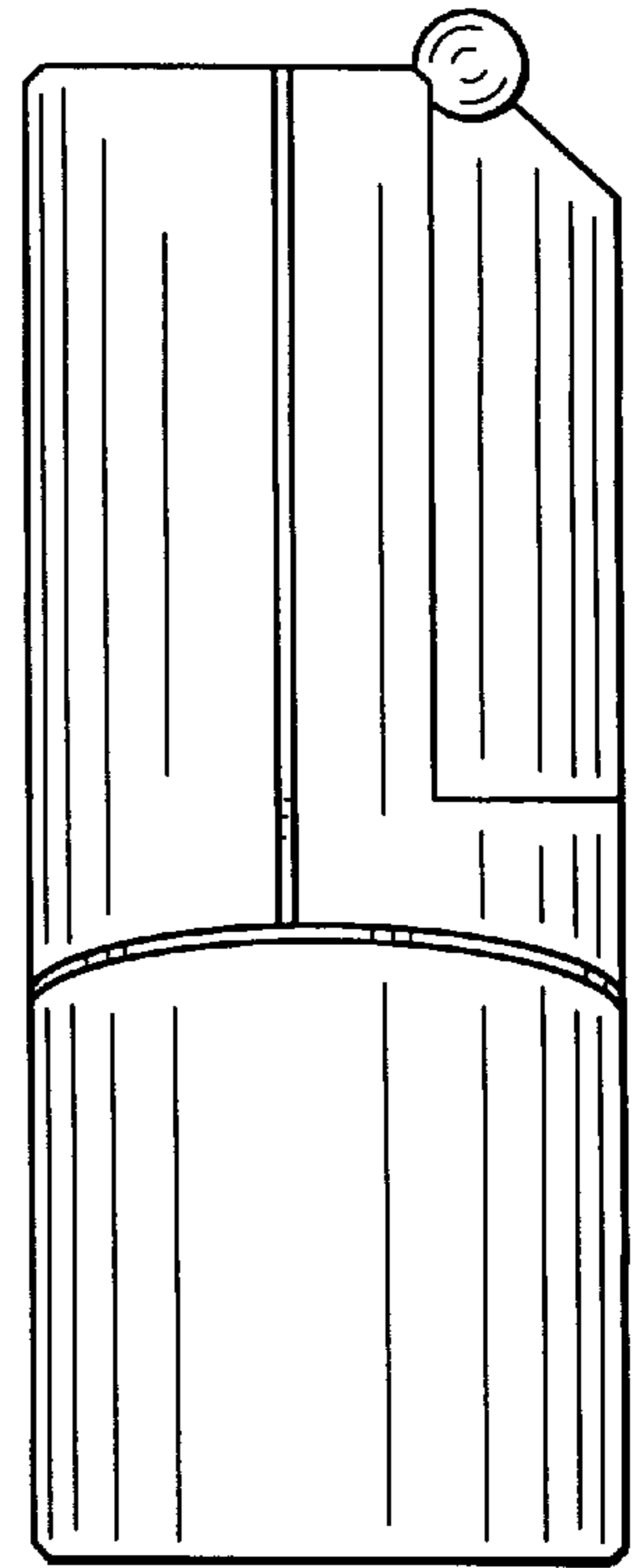


FIG. 7

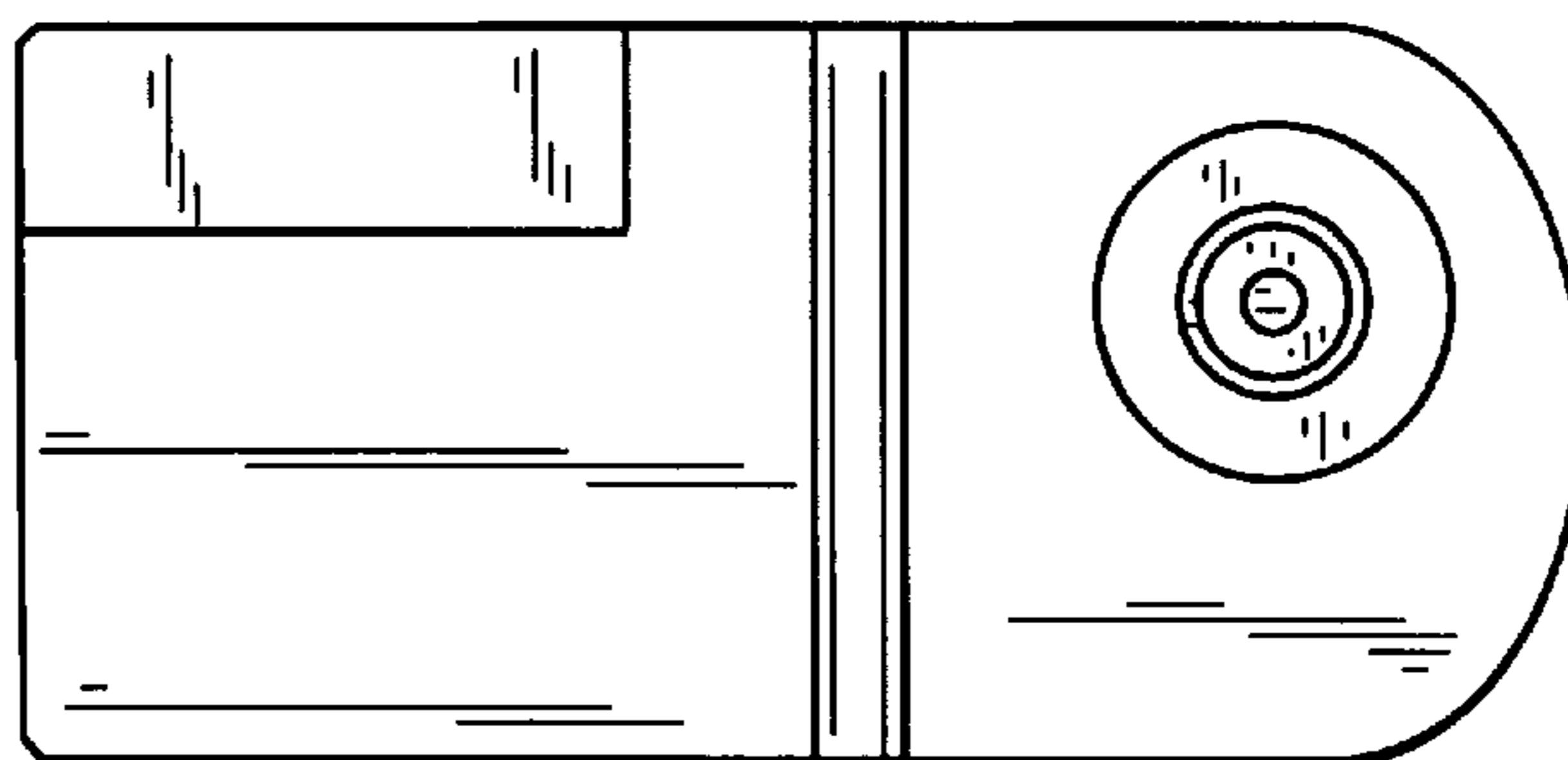


FIG. 8