



US00D399561S

# United States Patent [19] Ellingson

[11] **Patent Number: Des. 399,561**

[45] **Date of Patent: \*\*Oct. 13, 1998**

[54] **ELECTRICAL SURGICAL FORCEPS  
HANDLE**

5,116,333 5/1992 Beane ..... 606/42 X  
5,122,139 6/1992 Sutter ..... 606/51

[75] Inventor: **Richard Lee Ellingson**, Draper, Utah

[73] Assignee: **MegaDyne Medical Products, Inc.**,  
Utah

[\*\*] Term: **14 Years**

[21] Appl. No.: **645,285**

[22] Filed: **Jan. 24, 1991**

[51] **LOC (6) Cl.** ..... **24-02**

[52] **U.S. Cl.** ..... **D24/143; D24/133; D24/144;**  
D24/170

[58] **Field of Search** ..... D24/143, 144,  
D24/170, 133; 606/32, 42, 45, 51, 52, 205,  
211

[56] **References Cited**

**U.S. PATENT DOCUMENTS**

D. 320,856	10/1991	Scheller	.....	D24/144
4,041,952	8/1977	Morrison, Jr. et al.	.....	606/42
4,657,016	4/1987	Garito et al.	.....	606/45
5,026,370	6/1991	Lottick	.....	606/42

**OTHER PUBLICATIONS**

Aspen Labs "Electrosurgical Accessories" Borchure Mar. 29, 1978.

*Primary Examiner*—Stella Reid  
*Assistant Examiner*—I. Simmons

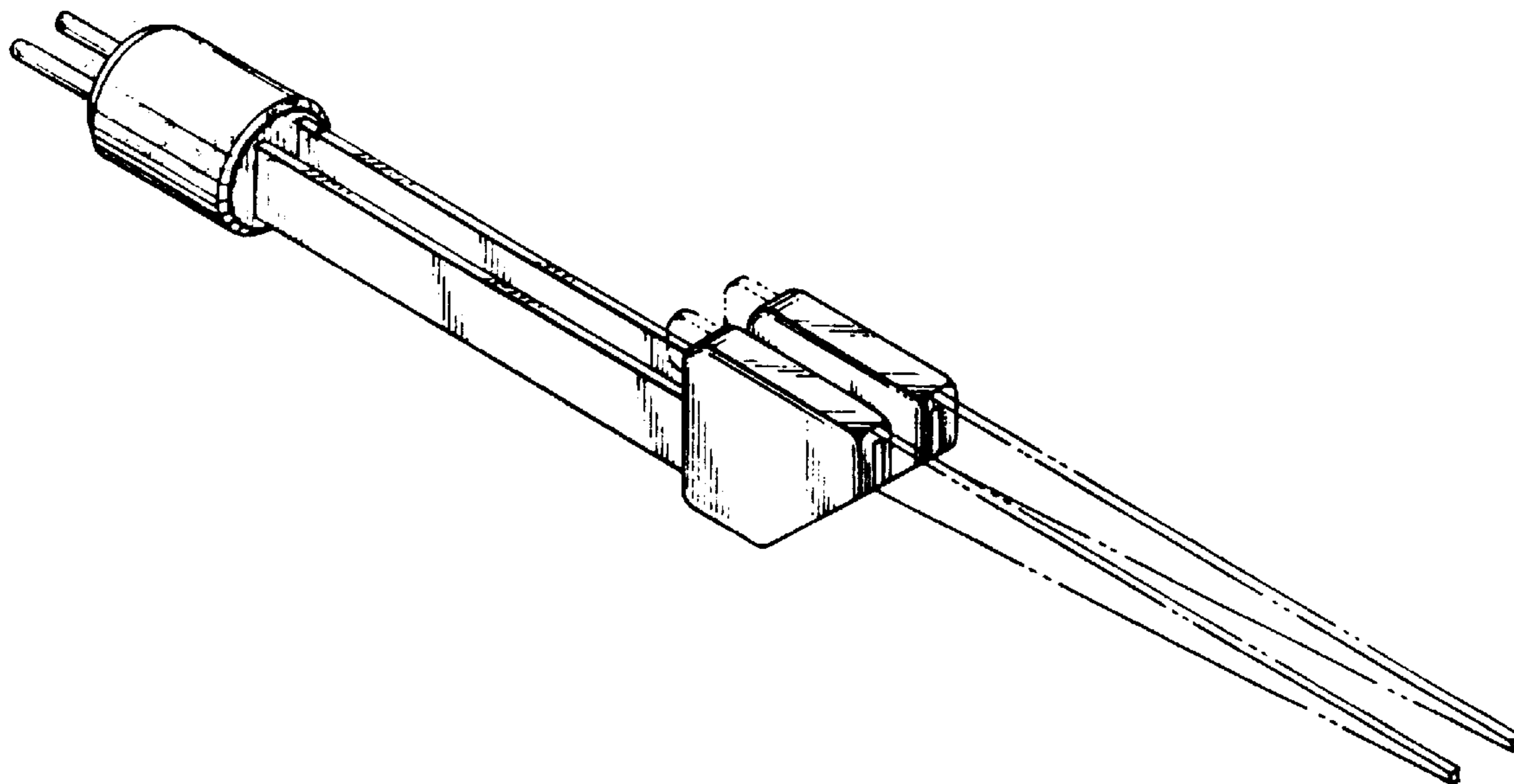
[57] **CLAIM**

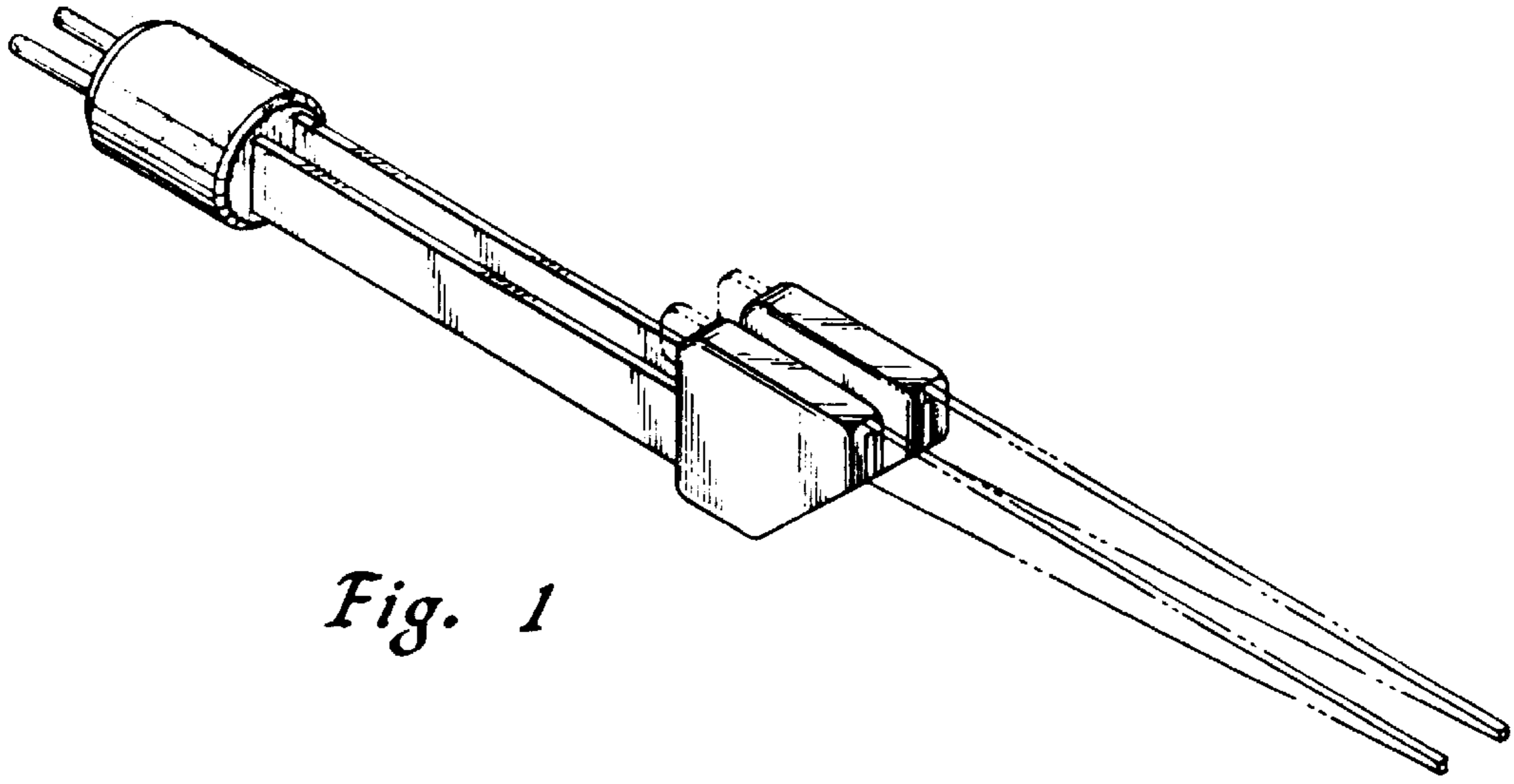
The ornamental design for an electrical surgical forceps handle, shown and described.

**DESCRIPTION**

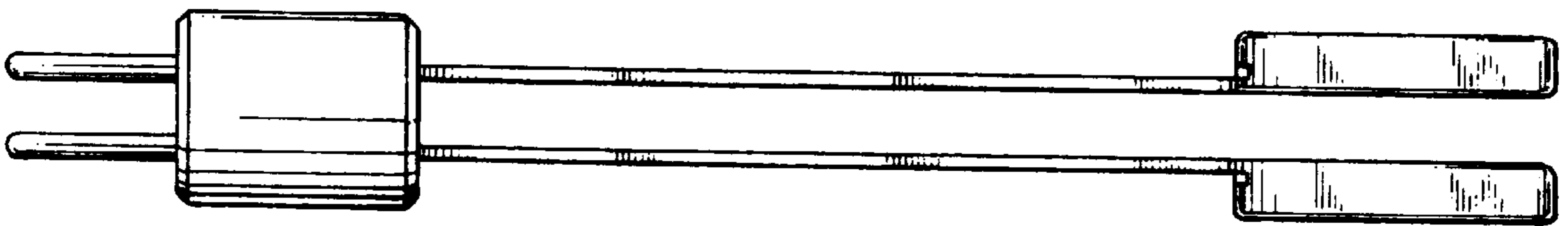
FIG. 1 is a perspective view of an electrical surgical forceps handle showing my new design, the broken line showing of the forceps tips is for illustrated purposes only and forms no part of the claimed design;  
FIG. 2 is a top plan view thereof;  
FIG. 3 is a right side elevation view thereof;  
FIG. 4 is a left side elevation view thereof;  
FIG. 5 is a front elevation view thereof;  
FIG. 6 is a rear elevation view thereof; and,  
FIG. 7 is a bottom plan view thereof.

**1 Claim, 2 Drawing Sheets**





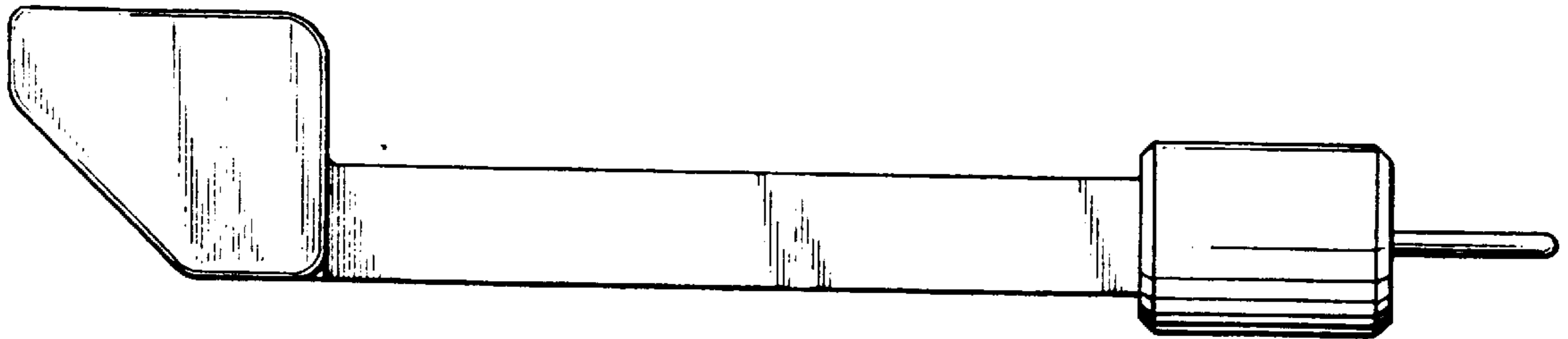
*Fig. 1*



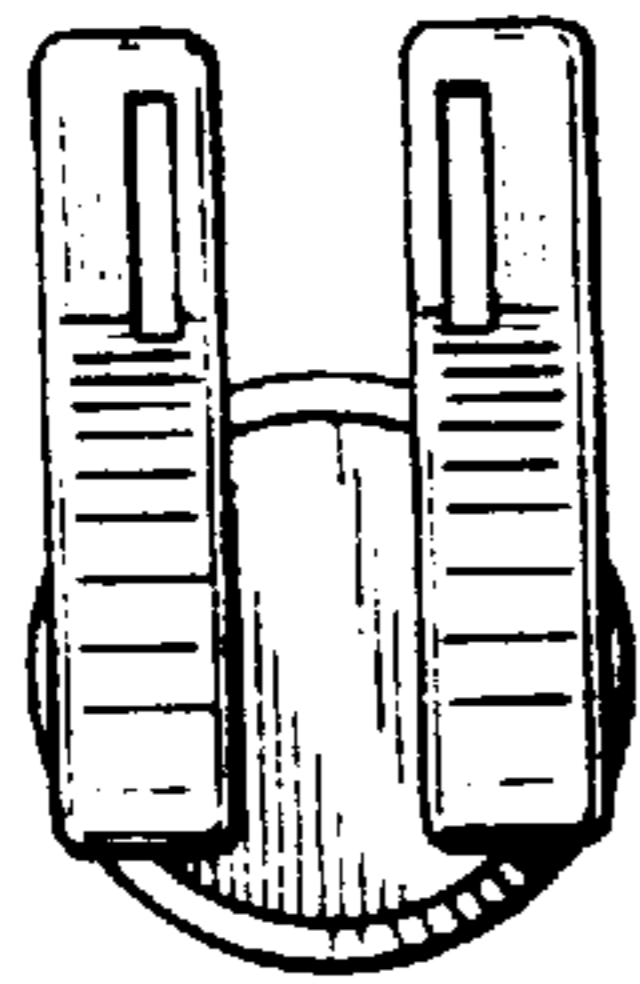
*Fig. 2*



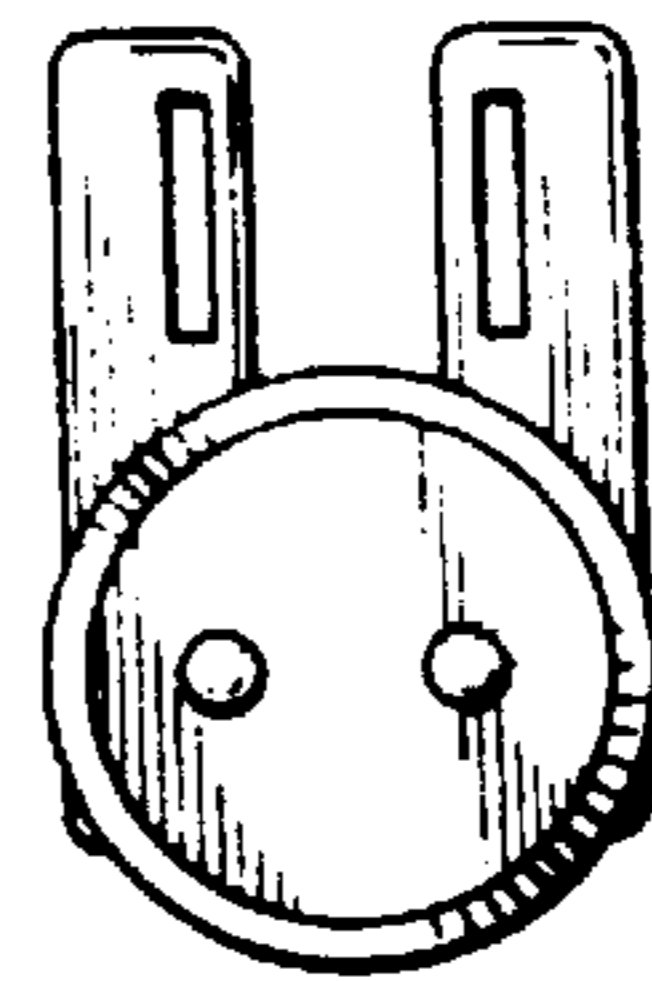
*Fig. 3*



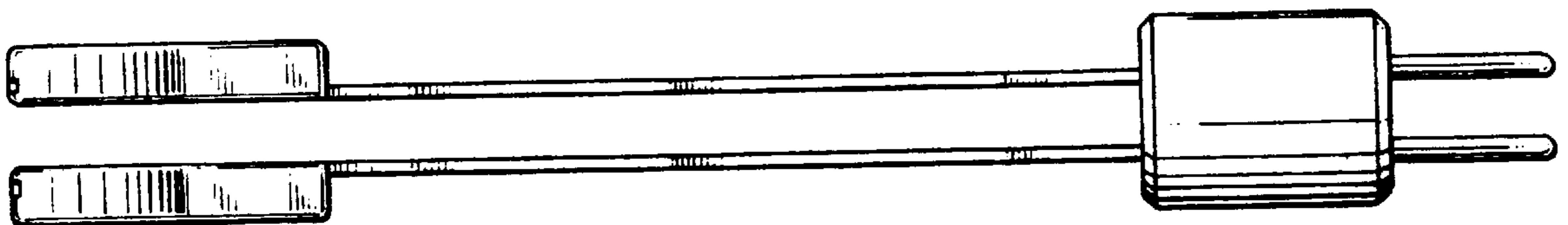
*Fig. 4*



*Fig. 5*



*Fig. 6*



*Fig. 7*