



US00D399559S

United States Patent [19] Molina

[11] **Patent Number: Des. 399,559**

[45] **Date of Patent: **Oct. 13, 1998**

[54] **PEDIATRIC CATHETER CONNECTOR**

[75] Inventor: **Roger V. Molina**, Summerfield, N.C.

[73] Assignee: **Incutech, Inc.**, Kernersville, N.C.

[**] Term: **14 Years**

[21] Appl. No.: **79,287**

[22] Filed: **Nov. 12, 1997**

[51] **LOC (6) Cl.** **24-02**

[52] **U.S. Cl.** **D24/112**

[58] **Field of Search** D24/112, 111,
D24/130, 129; D13/133, 151; 604/243,
283, 240, 241, 242, 180, 905; 285/81, 334.3,
339, 343, 353

[56] **References Cited**

U.S. PATENT DOCUMENTS

D. 302,729	8/1989	Stephens et al. .	
D. 314,622	2/1991	Andersson et al. .	
D. 321,252	10/1991	Jepson et al.	D24/112
D. 369,409	4/1996	Salter	D24/129

OTHER PUBLICATIONS

Old pediatric catheter connector.

Primary Examiner—Susan J. Lucas

Assistant Examiner—Cynthia E. Ramirez

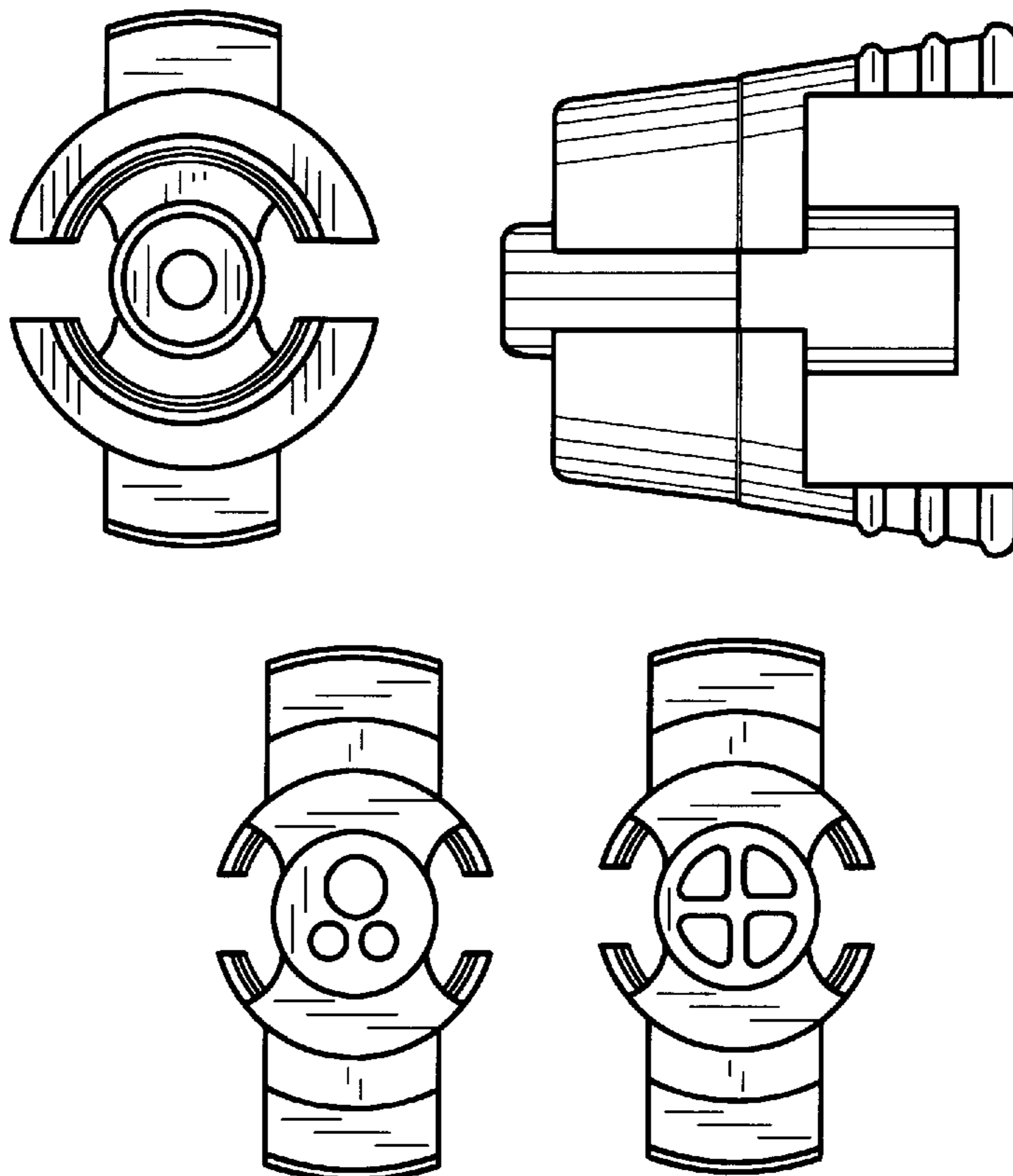
[57] **CLAIM**

The ornamental design for a pediatric catheter connector, as shown and described.

DESCRIPTION

FIG. 1 is a front elevational view of a first embodiment of a pediatric catheter connector embodying my design; FIG. 2 is a right side elevational view thereof, the left side being a mirror image thereof; FIG. 3 is a rear elevational view thereof; FIG. 4 is a top plan view thereof; FIG. 5 is a rear elevational view of another embodiment having three tubing openings, the other views thereof being identical to FIGS. 1, 2, and 4; and, FIG. 6 is a rear elevational view of another embodiment having four tubing openings, the other views thereof being identical to FIGS. 1, 2, and 4.

1 Claim, 1 Drawing Sheet



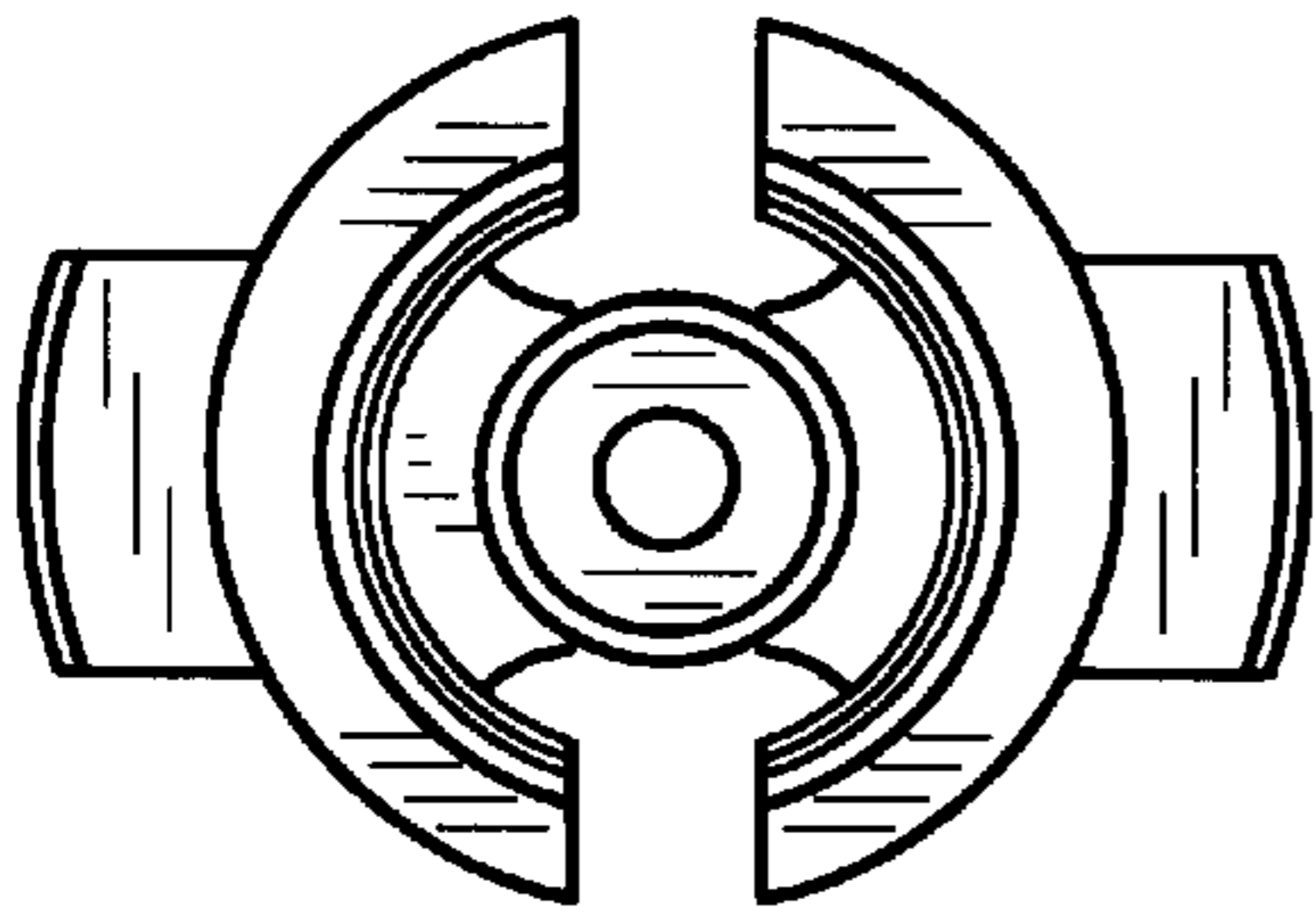


FIG. 1

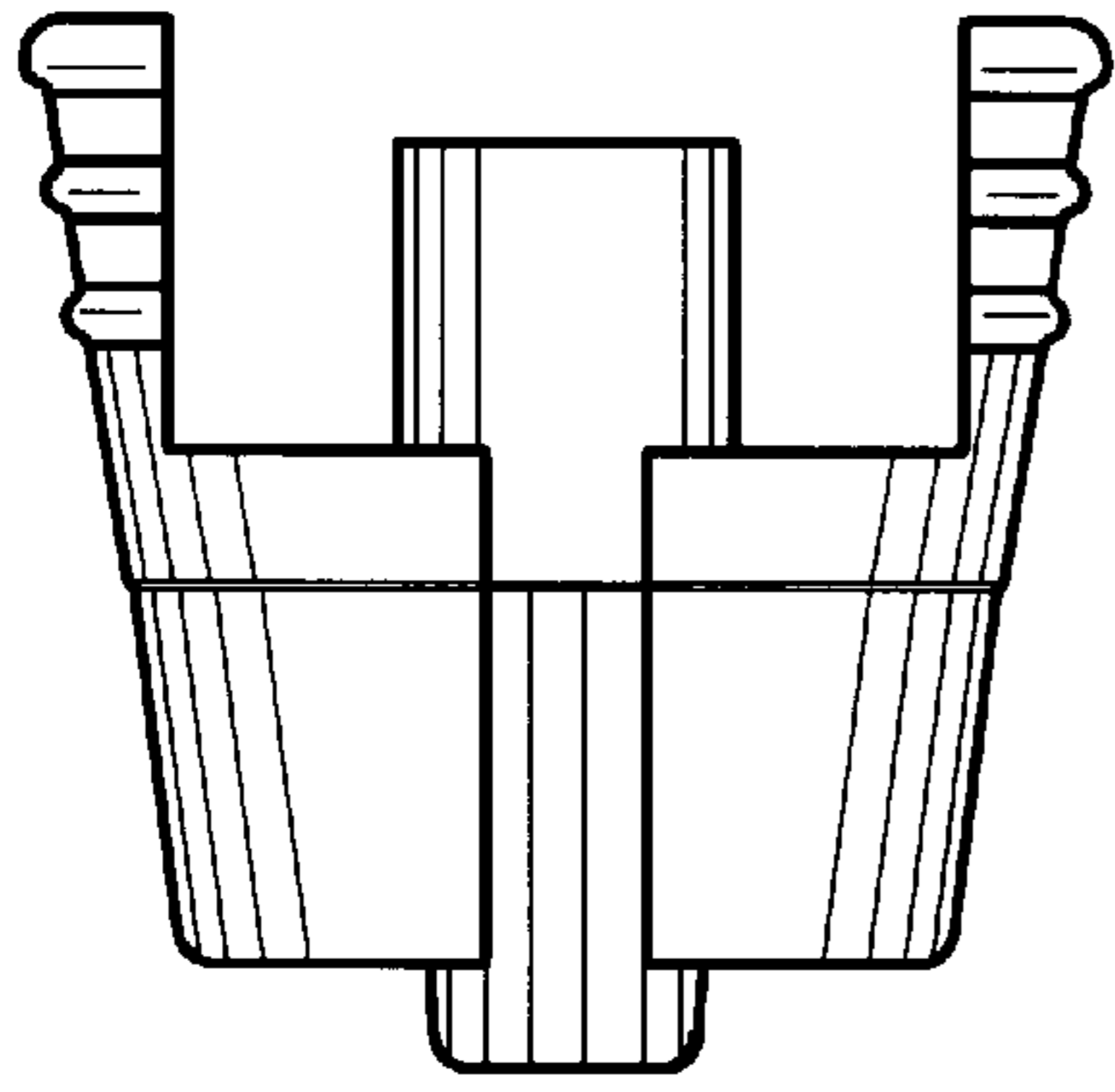


FIG. 2

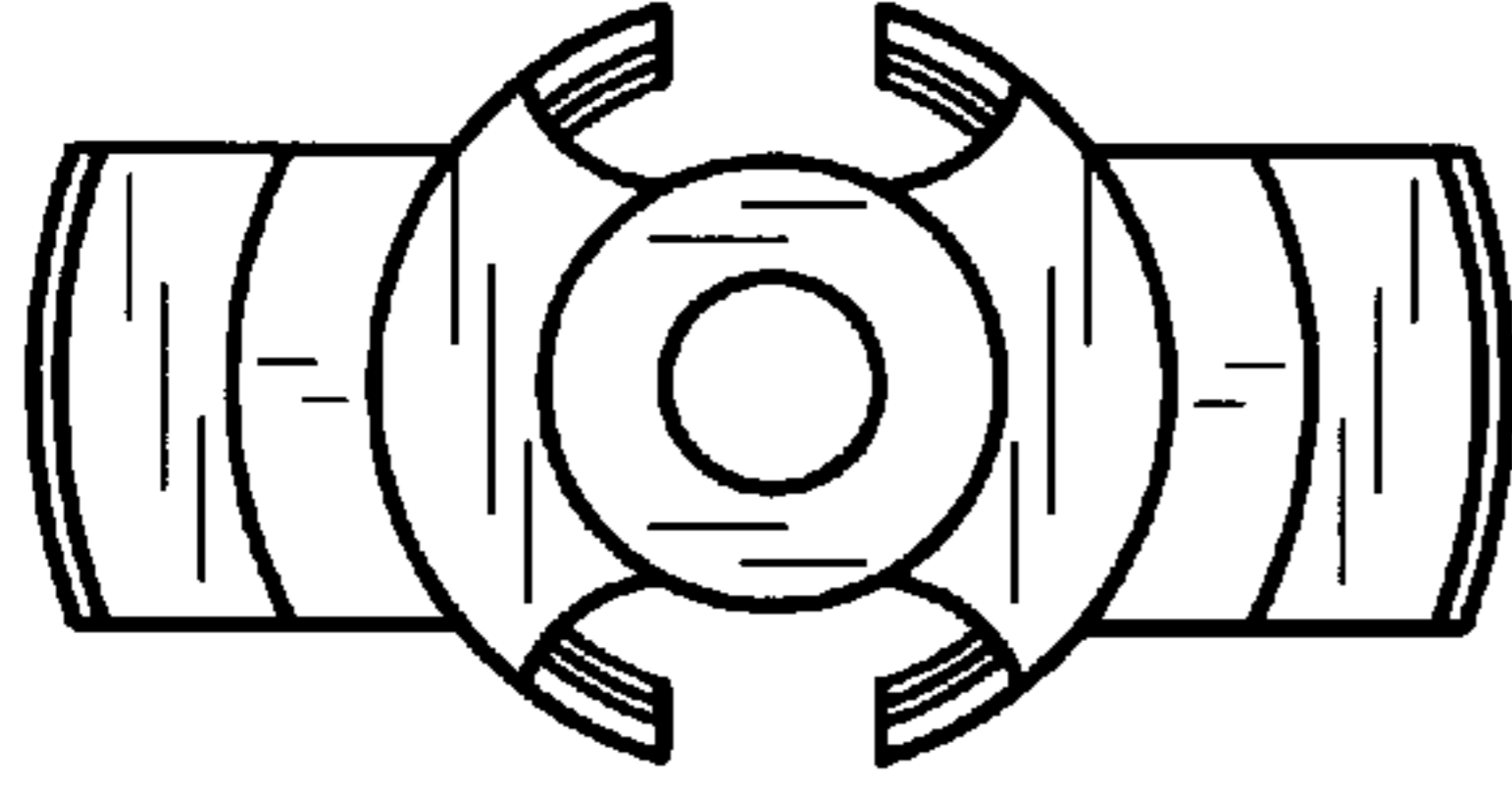


FIG. 3

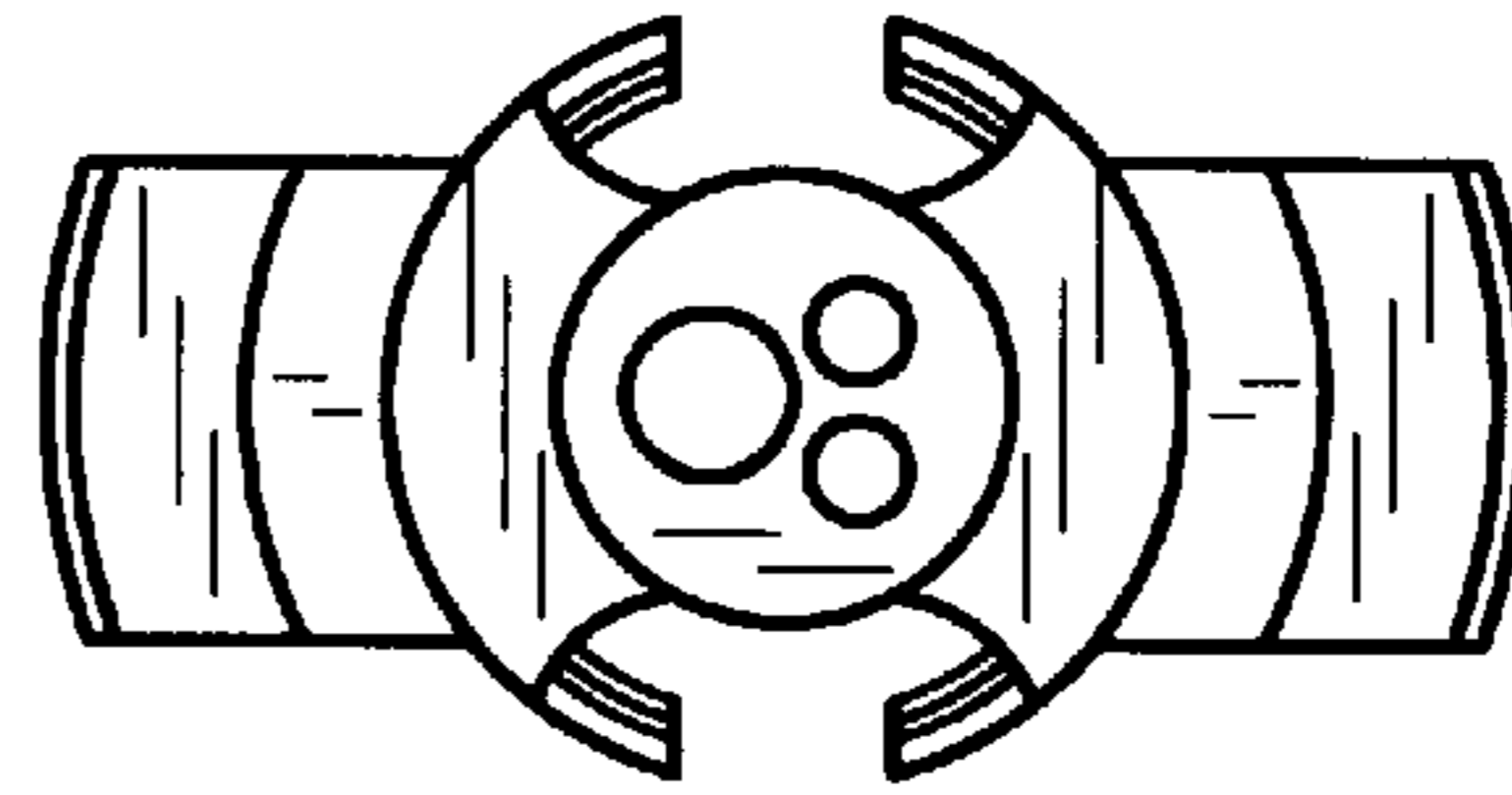


FIG. 5

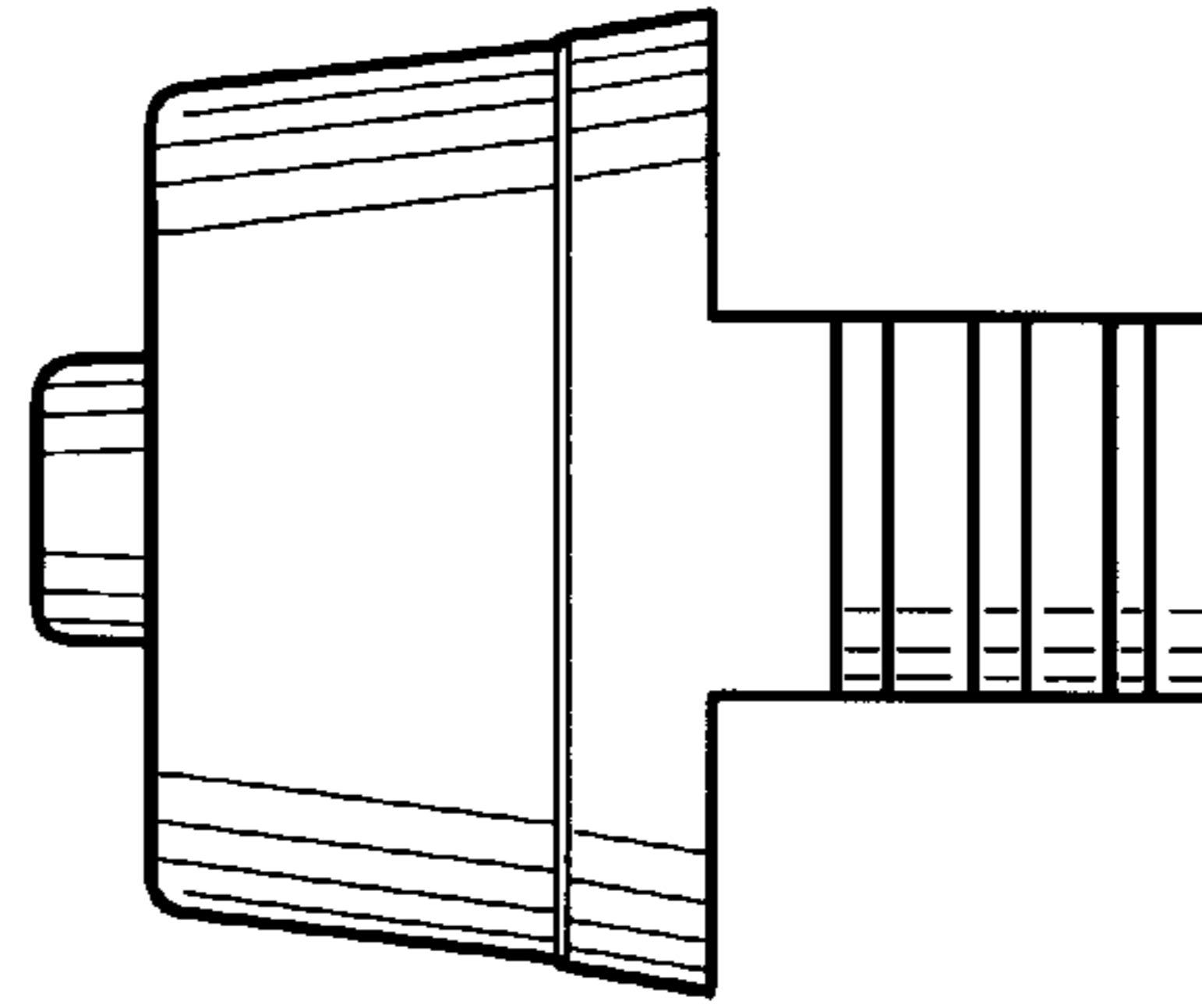


FIG. 4

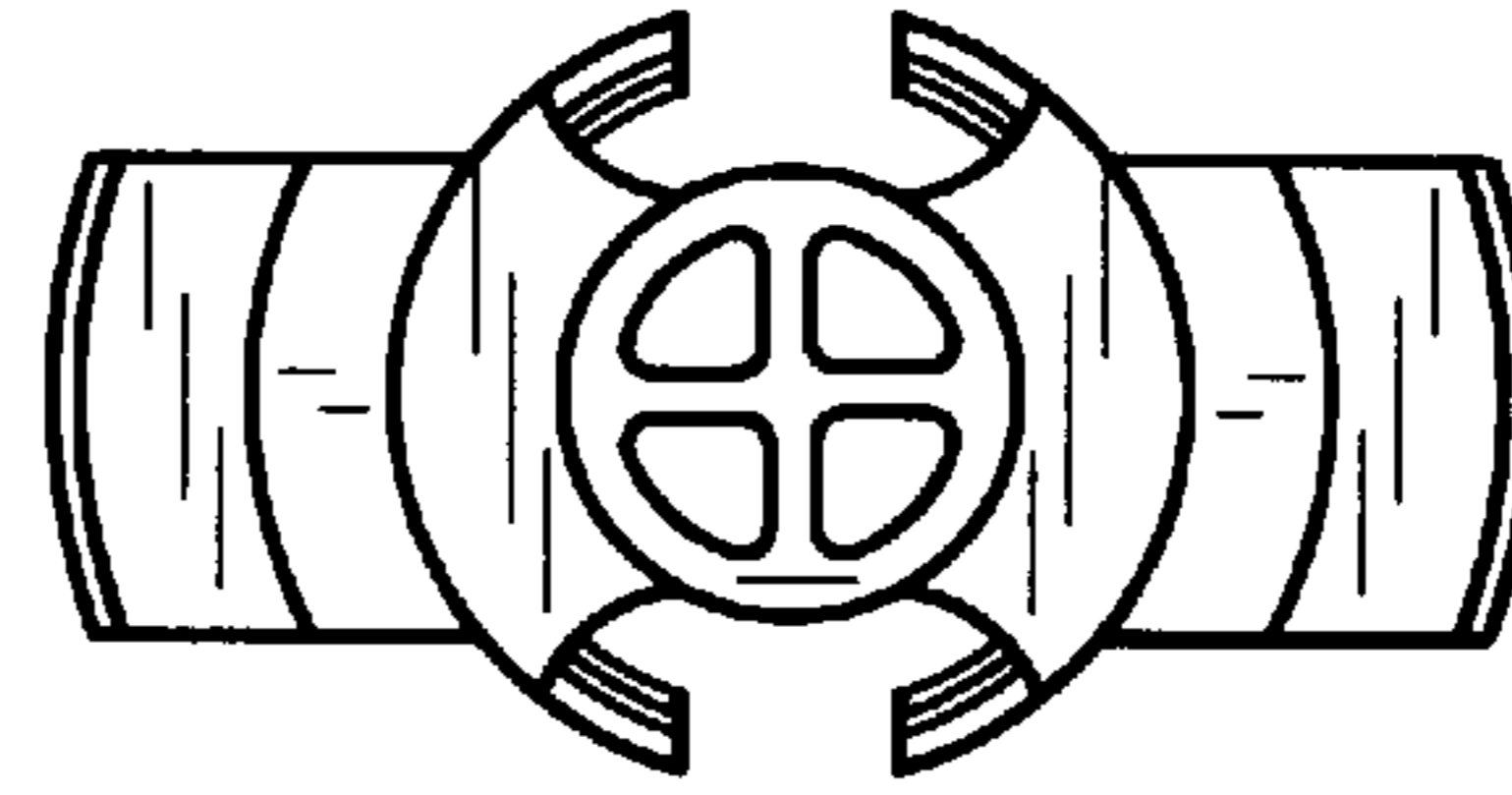


FIG. 6