



US00D399558S

United States Patent [19]

[11] Patent Number: Des. 399,558

Guala et al.

[45] Date of Patent: **Oct. 13, 1998

[54] **PIERCING CANNULA BODY FOR MEDICAL INFUSION OR TRANSFUSION LINES**

[75] Inventors: **Gianni Guala; Ernesto E.G. Guala**, both of Turin, Italy

[73] Assignee: **Industrie Borla S.p.A.**, Turin, Italy

[**] Term: **14 Years**

[21] Appl. No.: **76,064**

[22] Filed: **Sep. 5, 1997**

[51] **LOC (6) Cl.** **24-02**

[52] **U.S. Cl.** **D24/112**

[58] **Field of Search** D24/108, 112, D24/130, 146, 147; 606/167, 170, 184, 185; 604/251, 264, 256, 162, 168, 192, 198, 263, 411

[56] **References Cited**

U.S. PATENT DOCUMENTS

D. 229,518	12/1973	Bujan .	
D. 268,698	4/1983	Knute .	
D. 272,850	2/1984	Kulle .	
D. 291,490	8/1987	Raines .	
D. 358,209	5/1995	Petruschke et al.	D24/146
D. 365,630	12/1995	Sullivan	D24/112
4,411,661	10/1983	Kersten	604/411
5,275,583	1/1994	Crainich	604/264
5,623,969	4/1997	Raines	604/411 X

Primary Examiner—Susan J. Lucas
Assistant Examiner—Cynthia E. Ramierz
Attorney, Agent, or Firm—Sughrue, Mion, Zinn, Macpeak & Seas, PLLC

[57] **CLAIM**

The ornamental design for a piercing cannula body for medical infusion or transfusion lines, as shown and described.

DESCRIPTION

FIG. 1 is a front perspective view of a piercing cannula body for medical infusion or transfusion line and shows our design;
FIG. 2 is a rear perspective view of the piercing cannula body for medical infusion or transfusion line;
FIG. 3 is a front elevation view of the piercing cannula body for medical infusion or transfusion line;
FIG. 4 is a left side view of the piercing cannula body for medical infusion or transfusion line;
FIG. 5 is a plan view from above of the piercing cannula body for medical infusion or transfusion line;
FIG. 6 is a rear elevation view of the piercing cannula body for medical infusion or transfusion line;
FIG. 7 is a right side view of the piercing cannula body for medical infusion or transfusion line; and,
FIG. 8 is a plan view from below of the piercing cannula body for medical infusion or transfusion line.

1 Claim, 3 Drawing Sheets

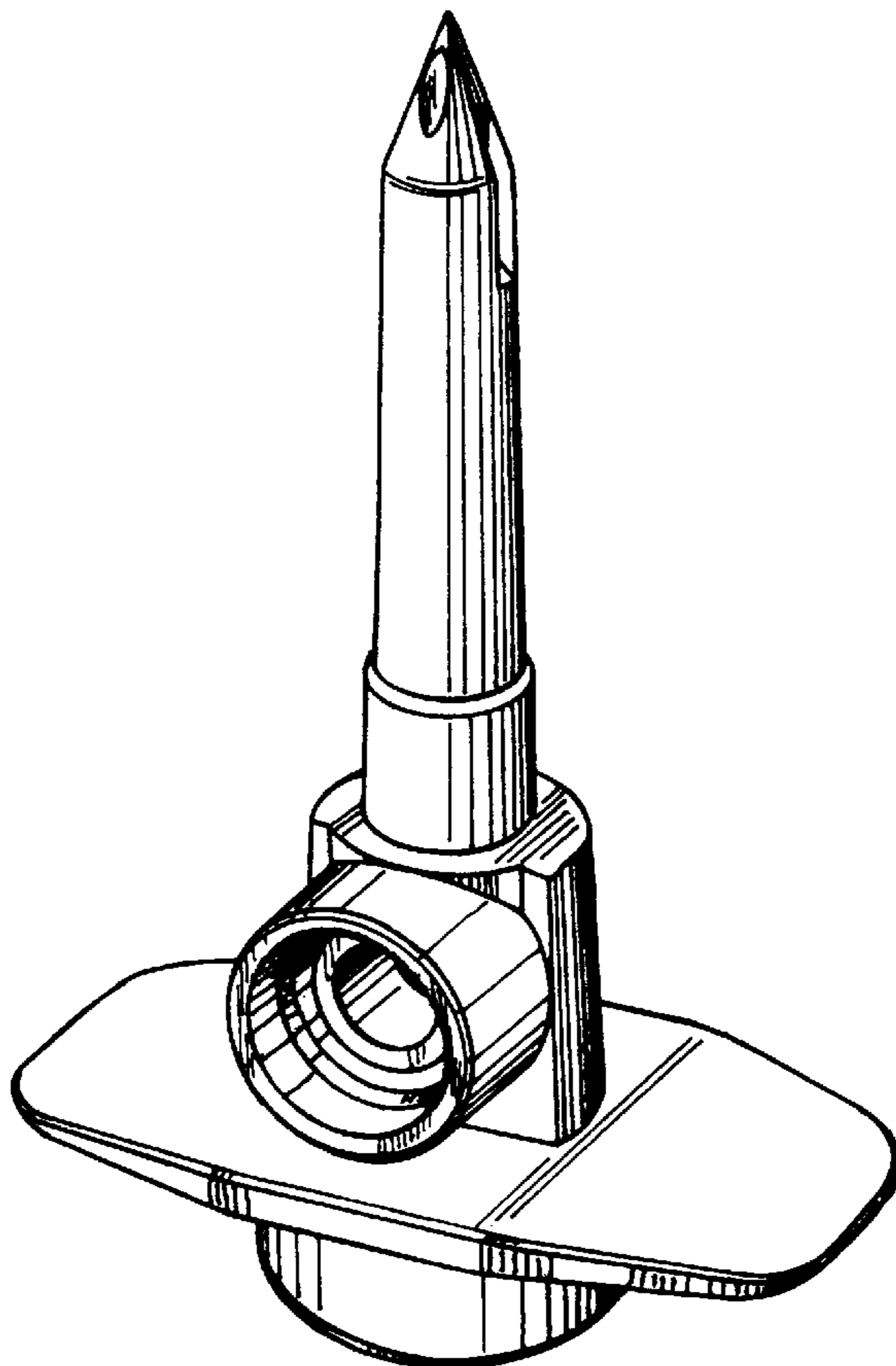


Fig. 1

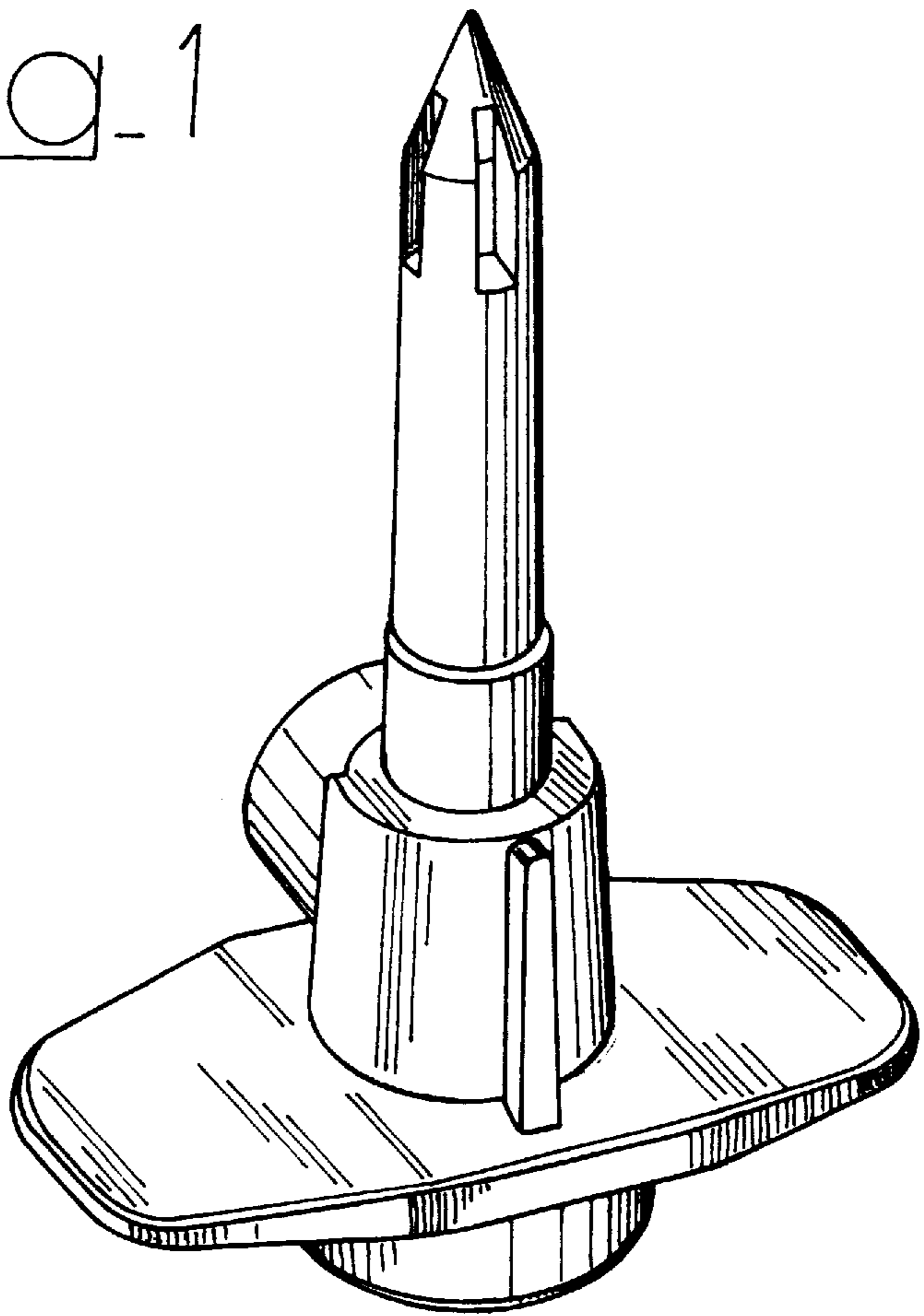


Fig. 2

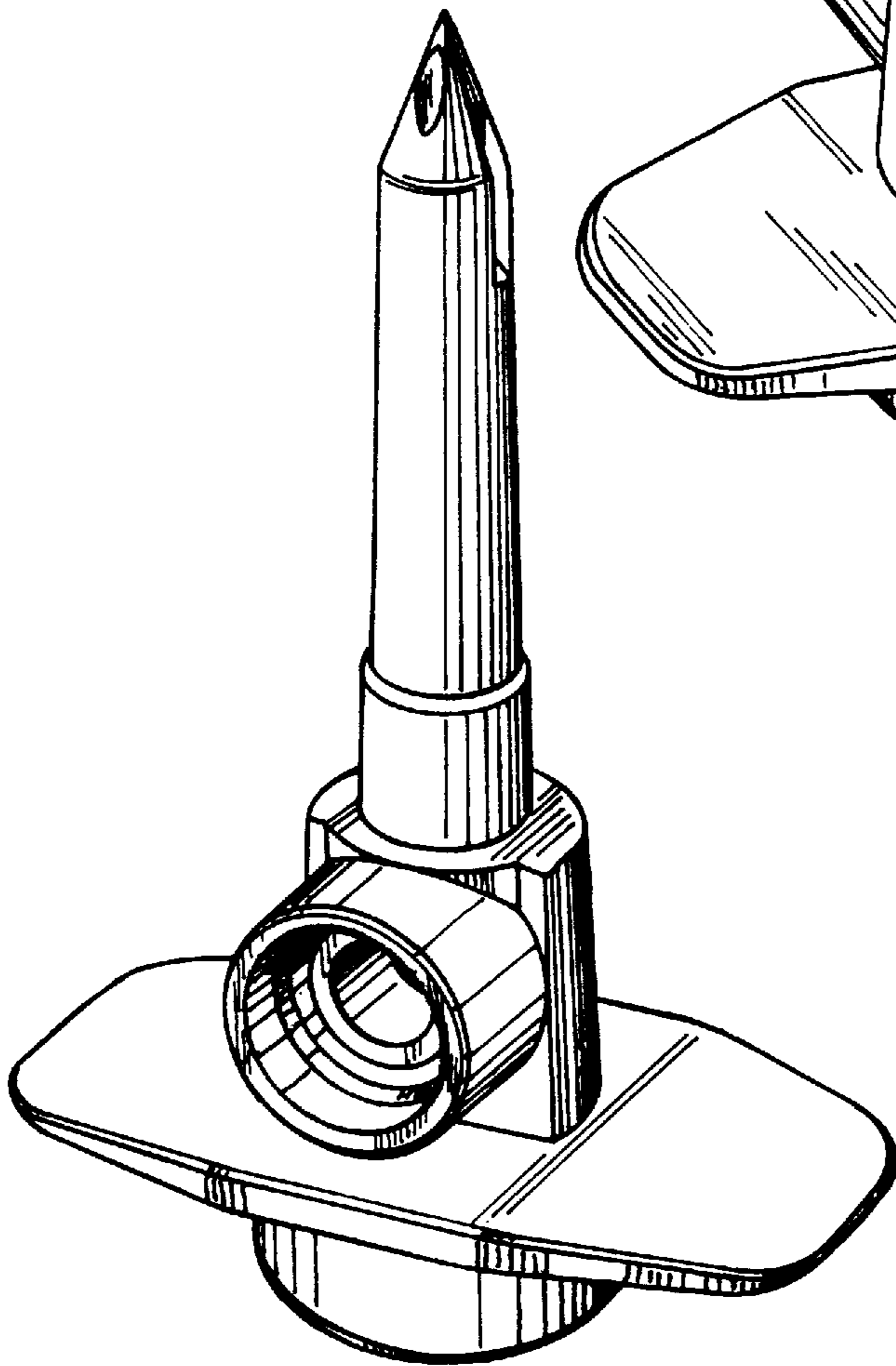


Fig. 3

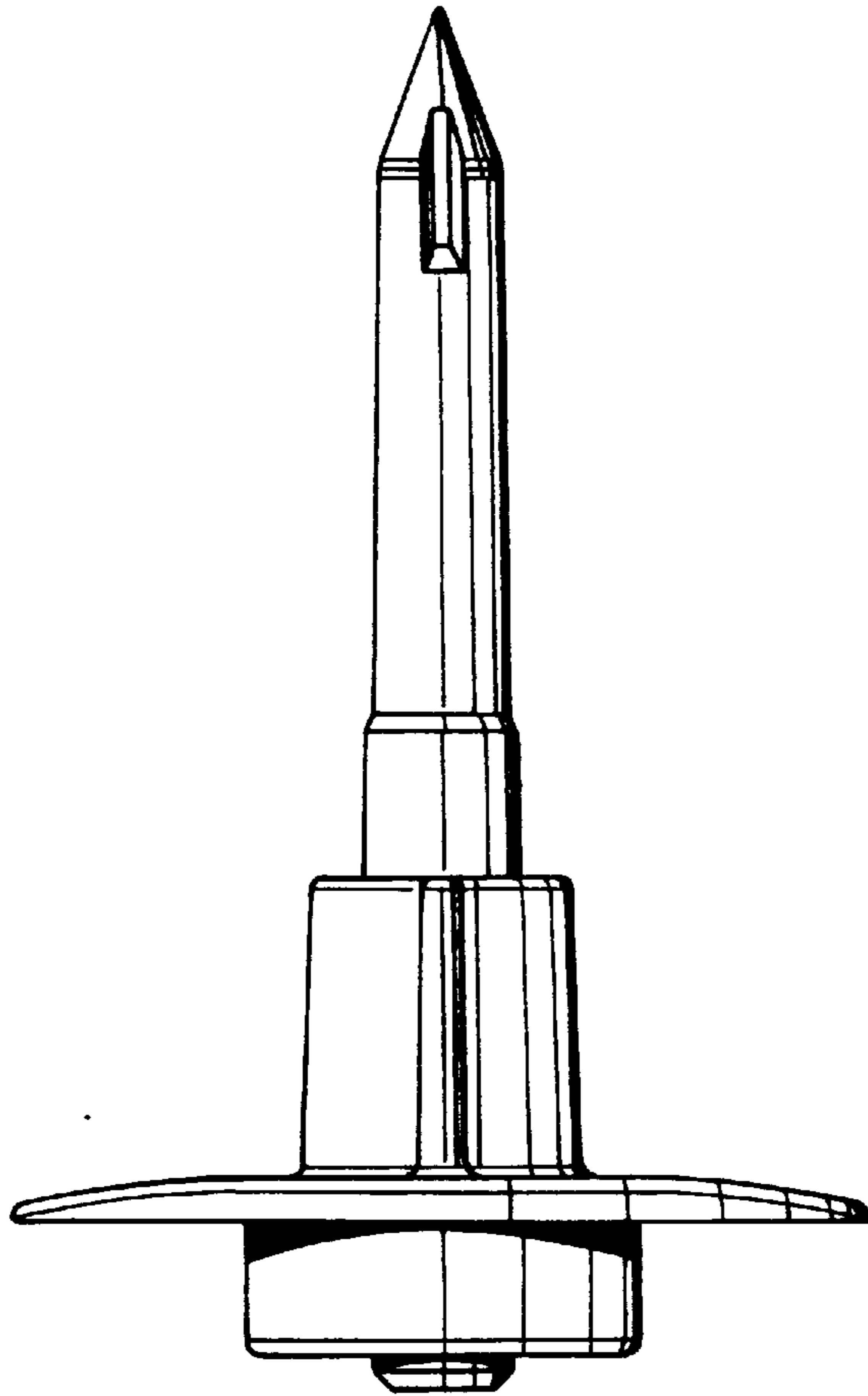


Fig. 4

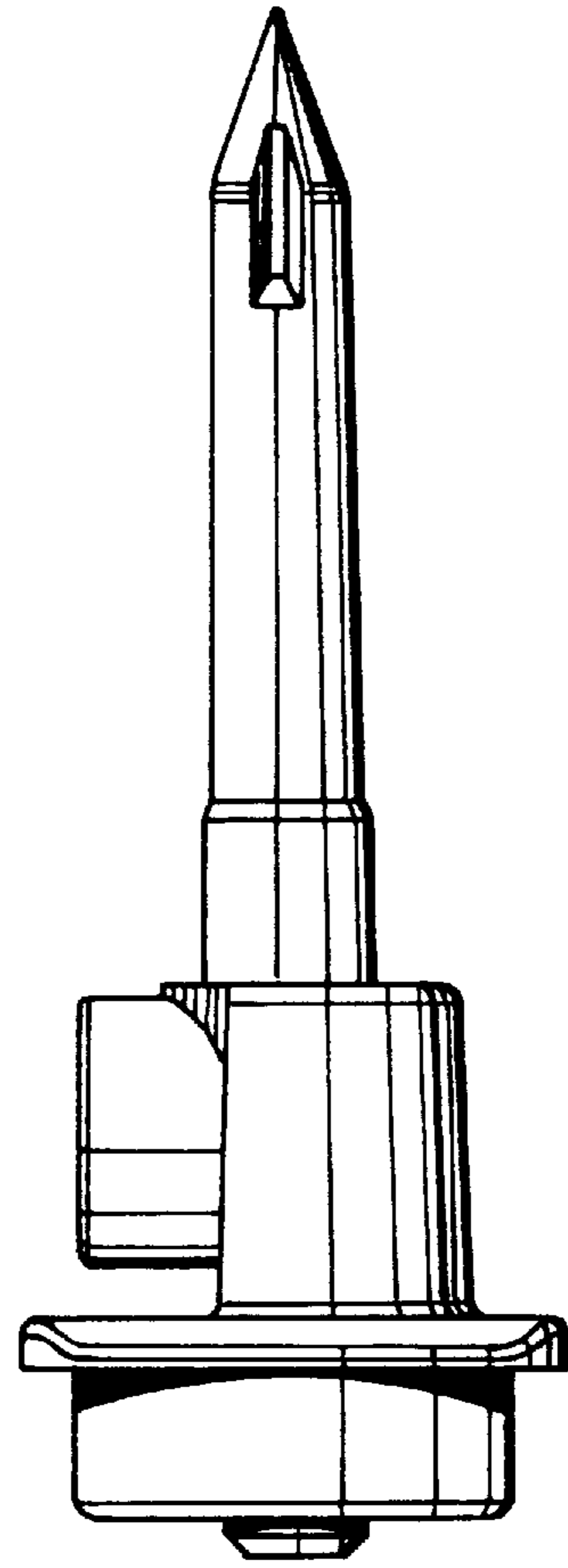


Fig. 5

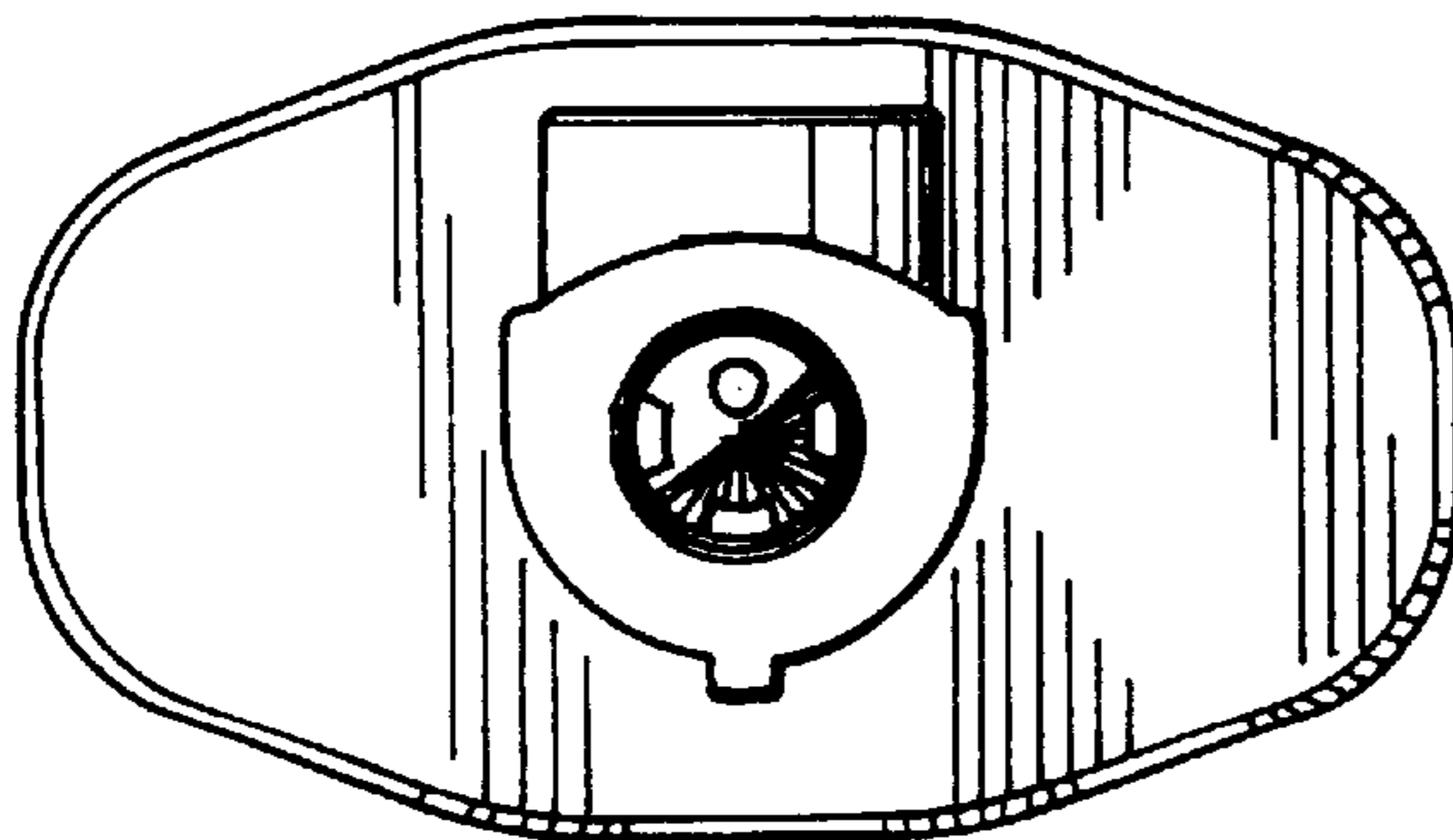


Fig. 6

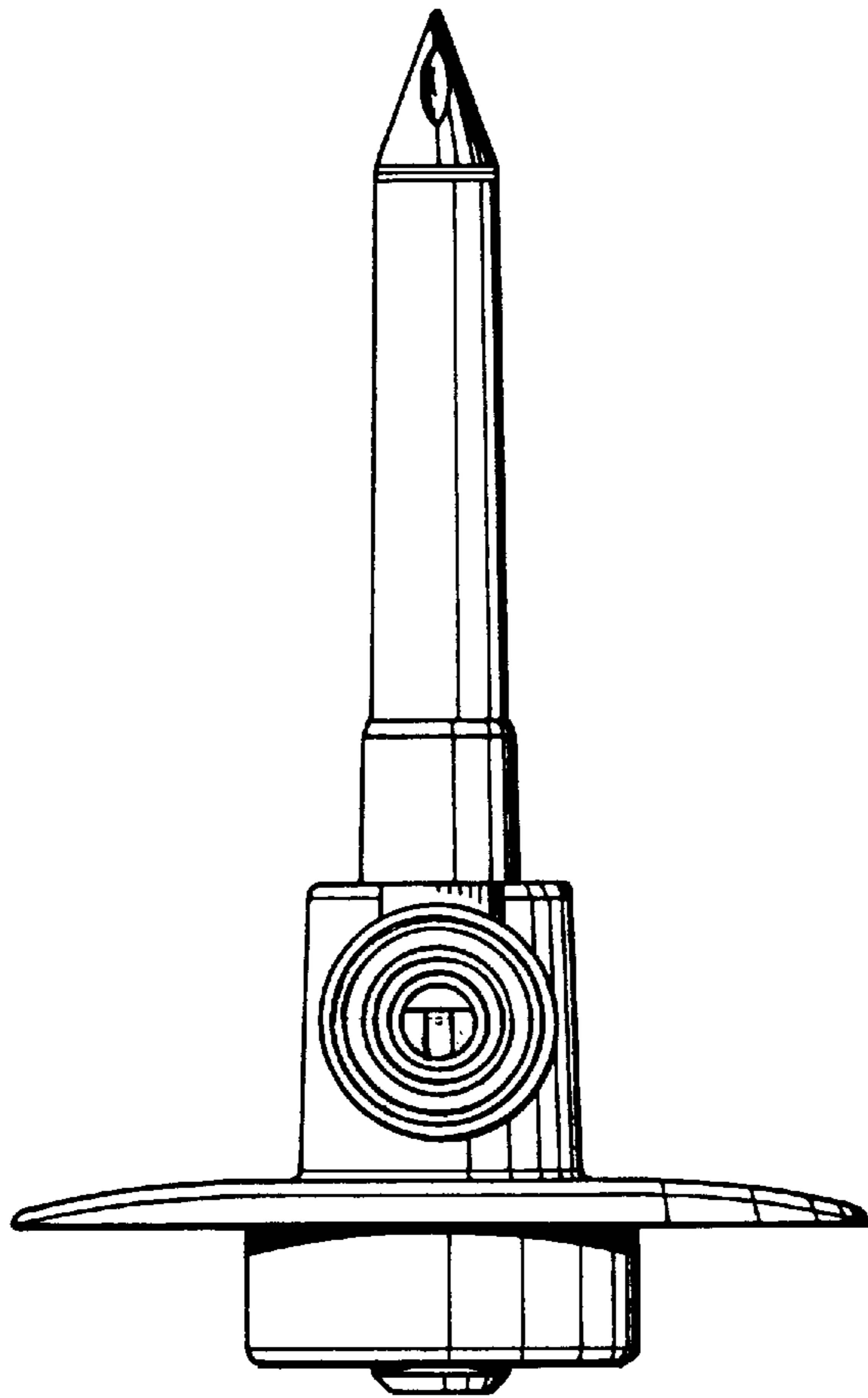


Fig. 7

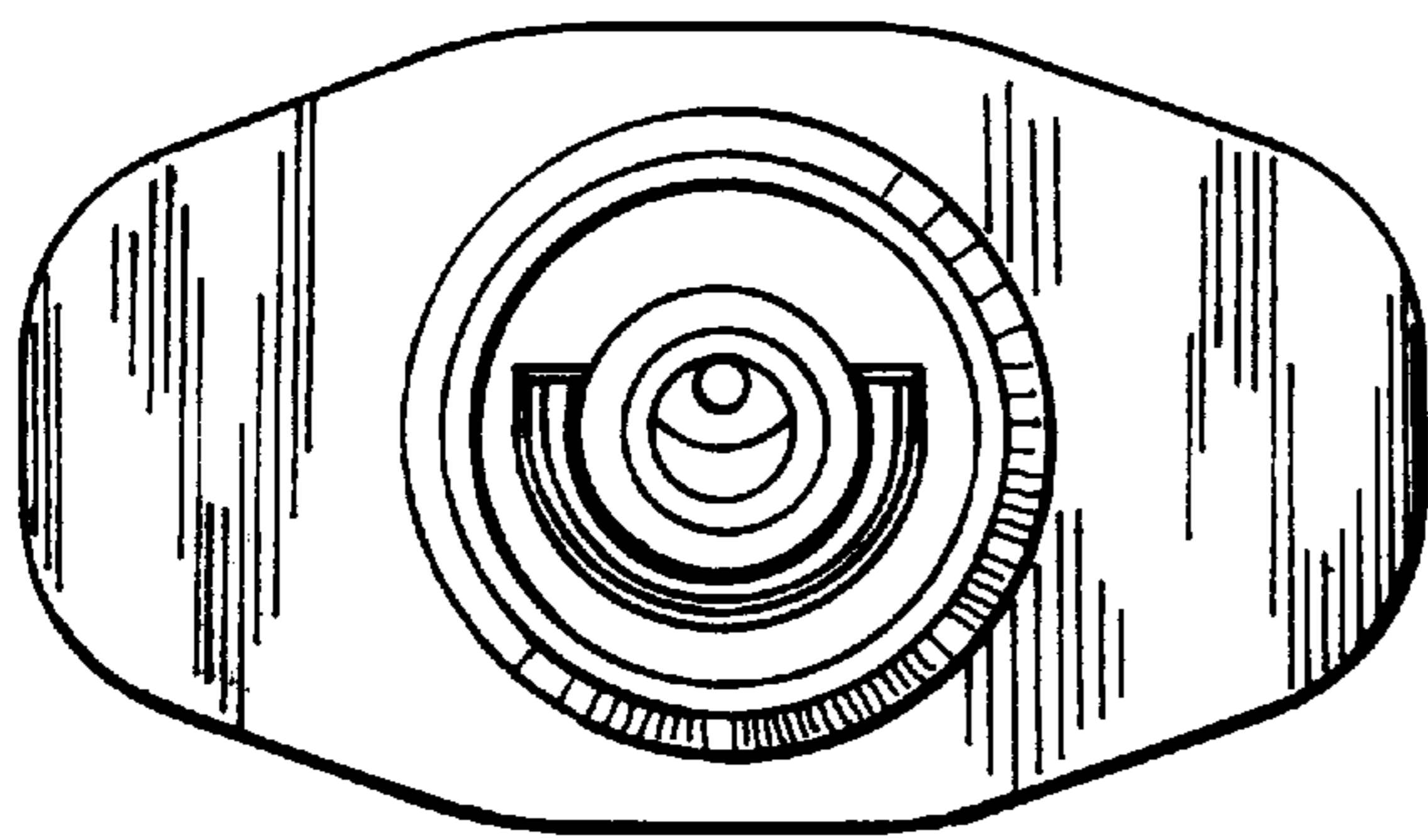
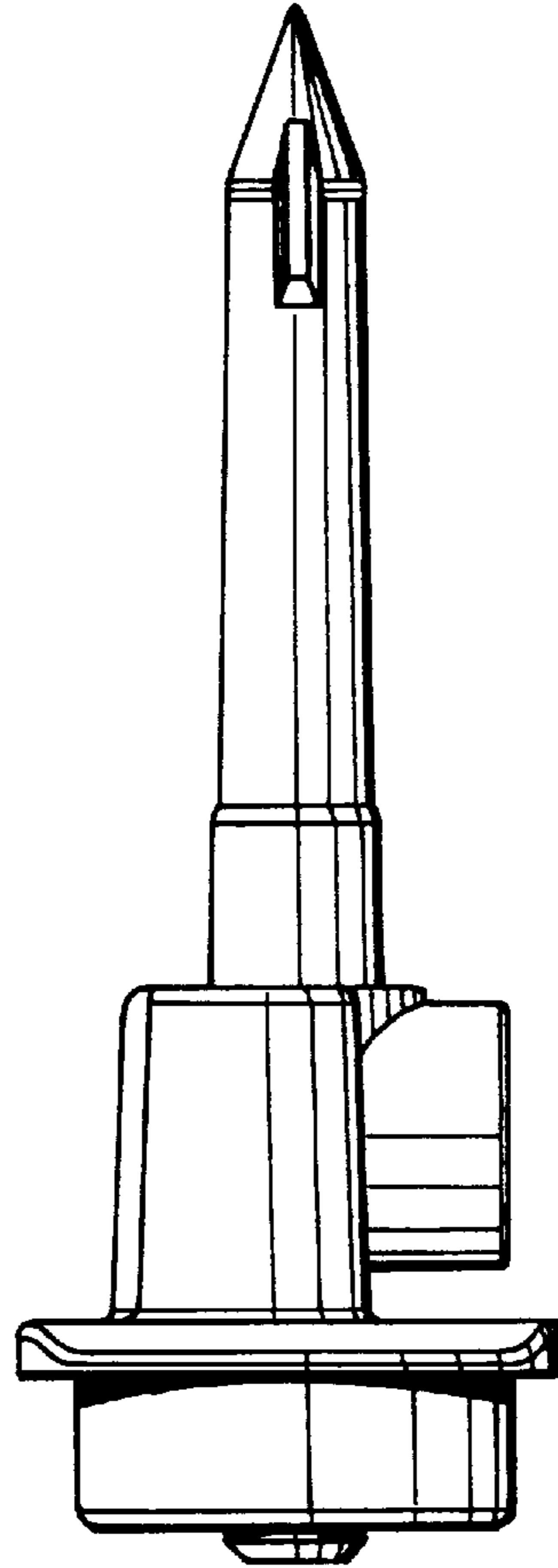


Fig. 8