



US00D399553S

United States Patent [19] Kumagai

[11] **Patent Number: Des. 399,553**

[45] **Date of Patent: **Oct. 13, 1998**

[54] **SPRINKLER HEAD**

[75] Inventor: **Fumie Kumagai**, Iwate, Japan

[73] Assignee: **Senju Sprinkler Co., Ltd.**, Tokyo, Japan

[**] Term: **14 Years**

[21] Appl. No.: **66,173**

[22] Filed: **Jan. 29, 1997**

[51] **LOC (6) Cl.** **23-01**

[52] **U.S. Cl.** **D23/213**

[58] **Field of Search** D23/213-214,
D23/218, 229; 239/200-2, 272, 276, 499,
504, 518, 208, 209; 169/19, 37

[56] **References Cited**

U.S. PATENT DOCUMENTS

D. 134,562	12/1942	Murphy	D23/213
2,563,300	8/1951	Aker	239/272
2,964,248	12/1960	O'brien et al.	239/566
3,596,835	8/1971	Smith et al.	239/394
4,491,182	1/1985	Pieczykolan .		
4,568,022	2/1986	Scrivnor	239/209
4,618,001	10/1986	Hoening .		
4,618,002	10/1986	Mears .		
4,624,414	11/1986	Ferrazza	239/504
4,766,961	8/1988	Macie .		
4,785,887	11/1988	Miller .		
4,785,888	11/1988	Blum et al. .		
4,830,117	5/1989	Capasso .		
4,928,773	5/1990	White .		
4,938,292	7/1990	Johnson .		

OTHER PUBLICATIONS

Grinnel Catalog, 1988 illustrating Model F905, F995, F996 sprinkler heads.

Advertisement, *Fire Protection Contractor*, Feb. 1991, p. 43.

Trademark Registration 1,787,890.

Primary Examiner—Alan P. Douglas
Assistant Examiner—Robin V. Taylor
Attorney, Agent, or Firm—Hoffmann & Baron, LLP

[57] **CLAIM**

The ornamental design of a sprinkler head, as shown and described.

DESCRIPTION

FIG. 1 is a bottom perspective bottom view showing the sprinkler head of the present invention, the broken line showing of the upper threaded portions are not part of the claimed design;

FIG. 2 is a top, right side perspective upper view of the sprinkler head configuration of the present invention. The broken line showing of the upper threaded portions are not part of the claimed design;

FIG. 3 is a front left side elevational view of the the sprinkler head configuration of the present invention. The broken line showing of the upper threaded portions are not part of the claimed design;

FIG. 4 is a top plan view of the sprinkler head of the present invention showing the broken line showing of the upper threaded portions which are not part of the claimed design; and,

FIG. 5 is a bottom plan view of the sprinkler head of the present invention. The broken line showing of the upper threaded portion is not part of the claimed design.

1 Claim, 4 Drawing Sheets

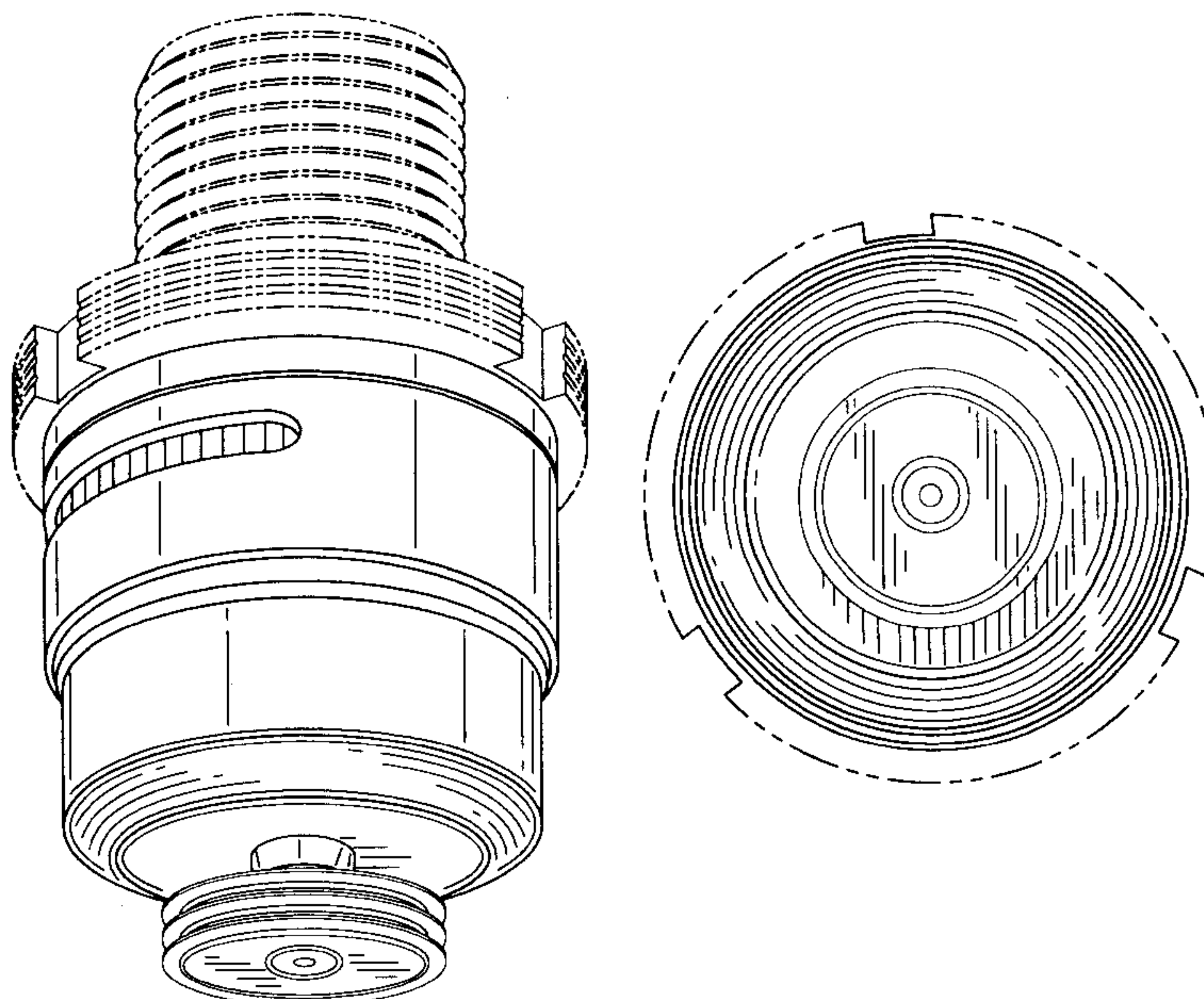


FIG-1

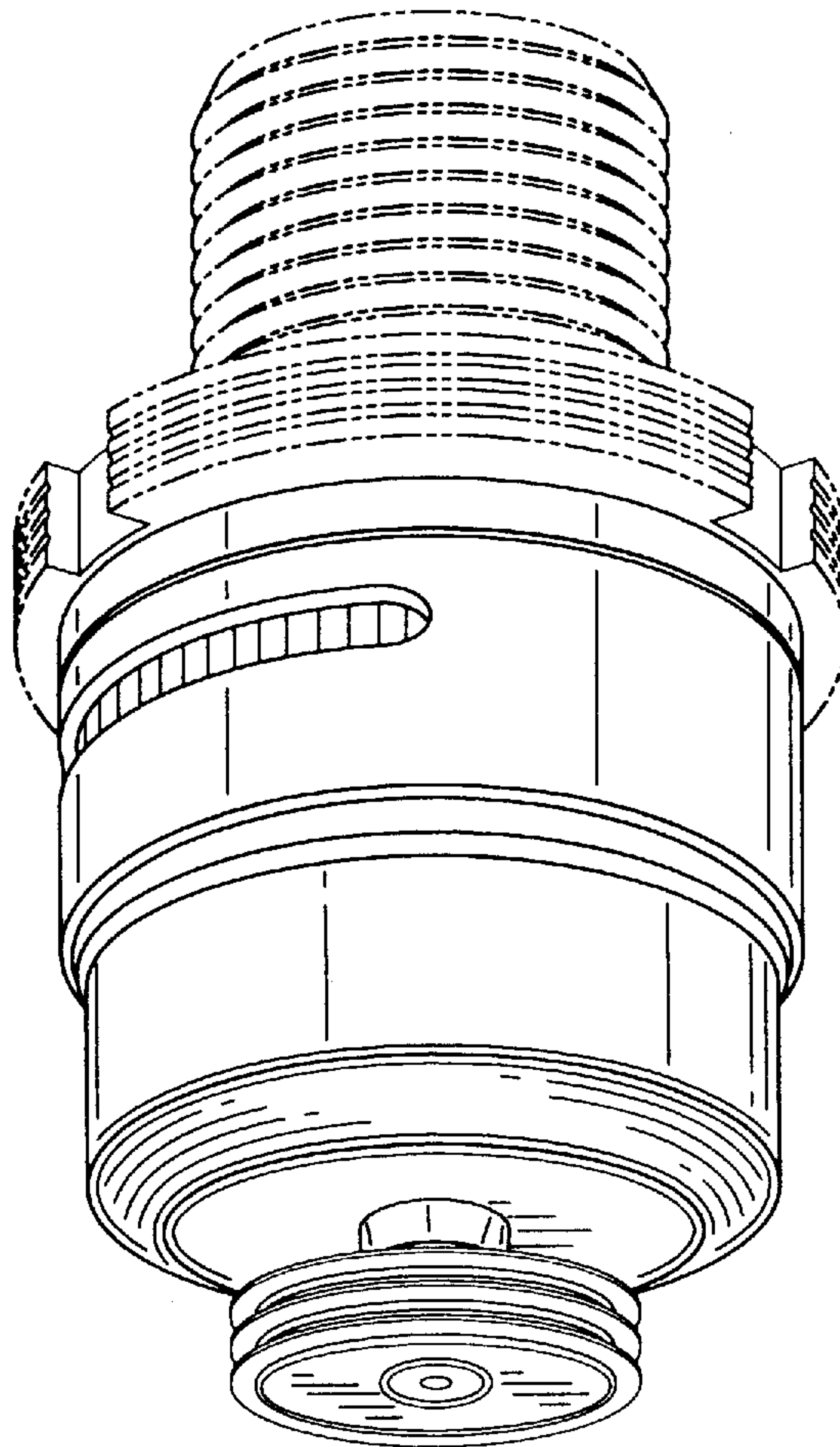


FIG-2

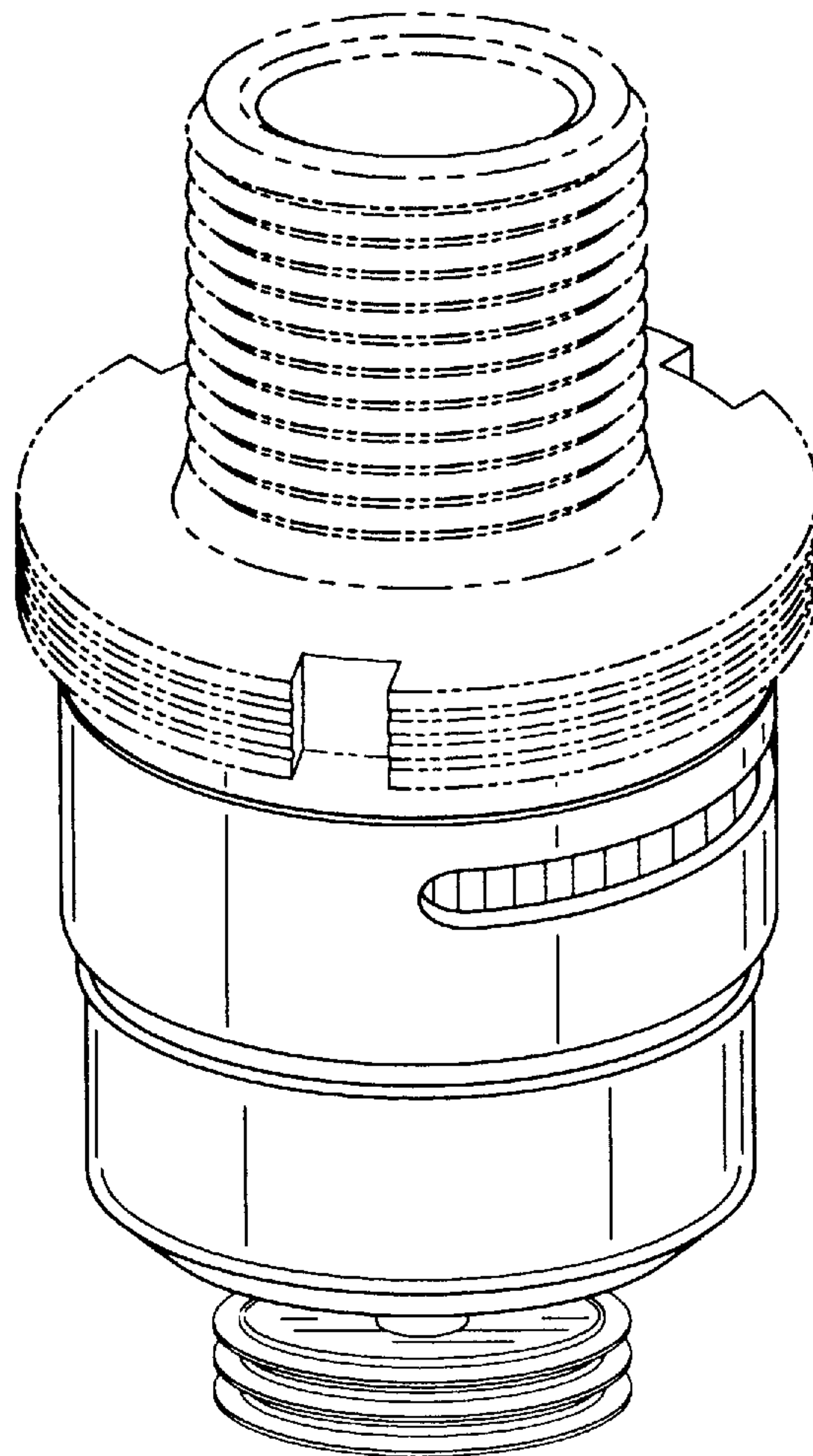


FIG-3

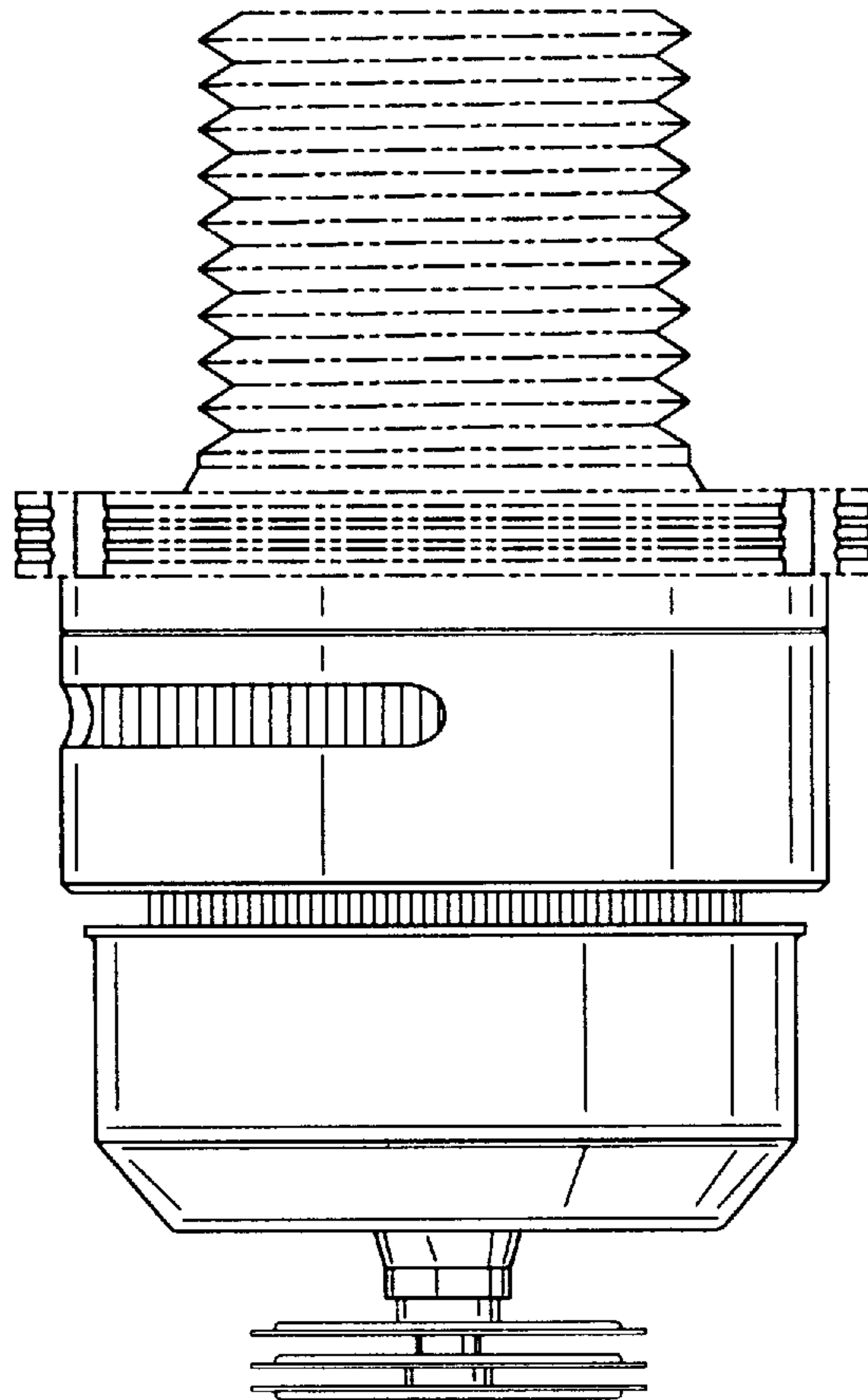


FIG-4

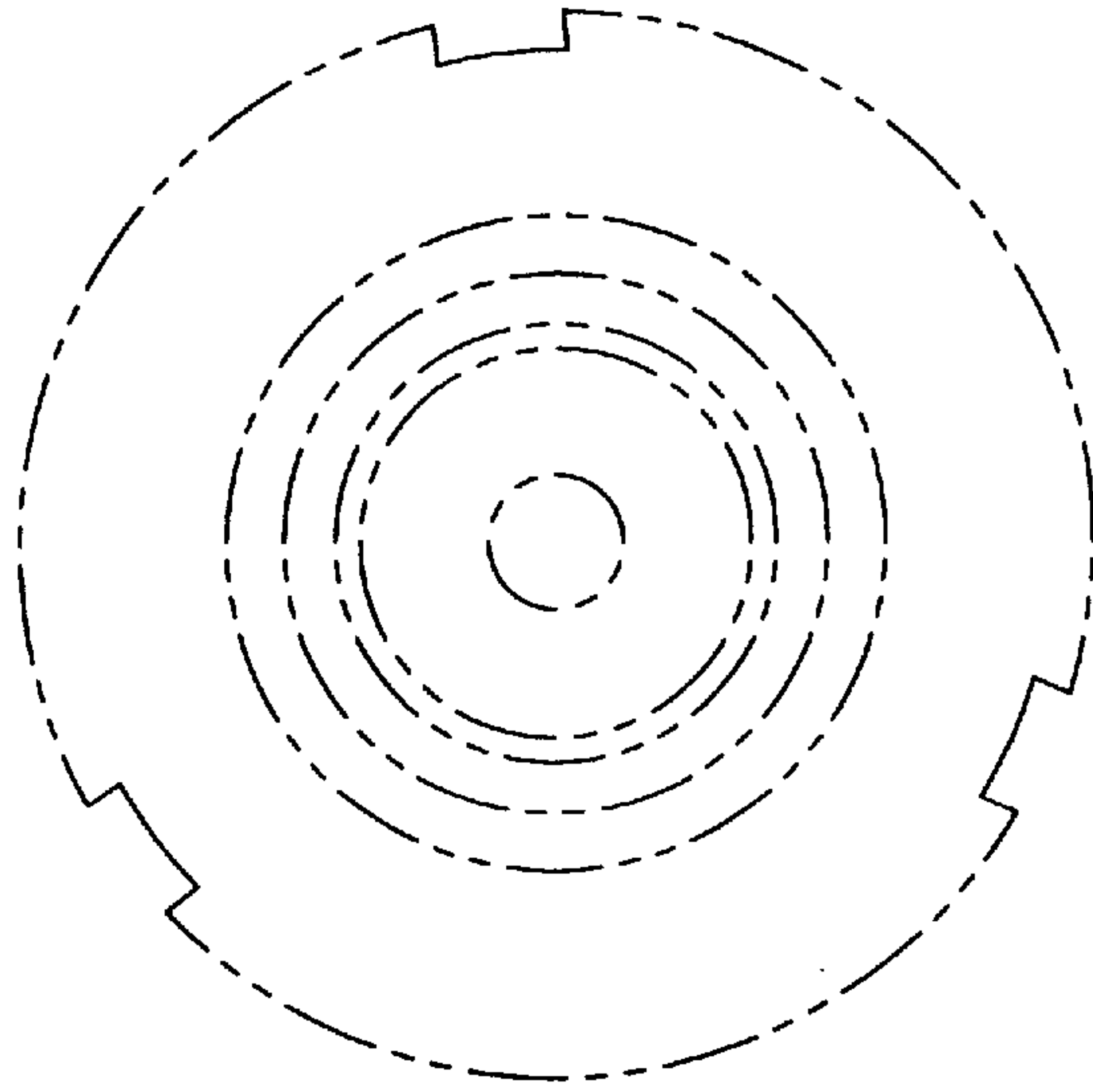


FIG-5

