



US00D399550S

United States Patent [19]
Wyatt

[11] **Patent Number: Des. 399,550**

[45] **Date of Patent: **Oct. 13, 1998**

[54] **SKI**

5,413,371 5/1995 Trimble 280/602
5,649,722 7/1997 Champlin 280/818

[76] Inventor: **Patricia D. Wyatt**, 2 Silverstrand Pl.,
The Woodlands, Tex. 77381

Primary Examiner—Kay H. Chin

[**] Term: **14 Years**

[57] **CLAIM**

The ornamental design for a ski, as shown and described.

[21] Appl. No.: **70,635**

DESCRIPTION

[22] Filed: **May 13, 1997**

FIG. 1 is a top front perspective view of a ski showing my new design;

[51] **LOC (6) Cl.** **21-02**

FIG. 2 is a rear perspective view thereof;

[52] **U.S. Cl.** **D21/228; D21/229; D21/236**

FIG. 3 is a top plan view thereof;

[58] **Field of Search** **D21/228-230,**
D21/236; 280/818, 809, 845, 601-610

FIG. 4 is a side elevational view thereof;

FIG. 5 is a bottom plan view thereof;

[56] **References Cited**

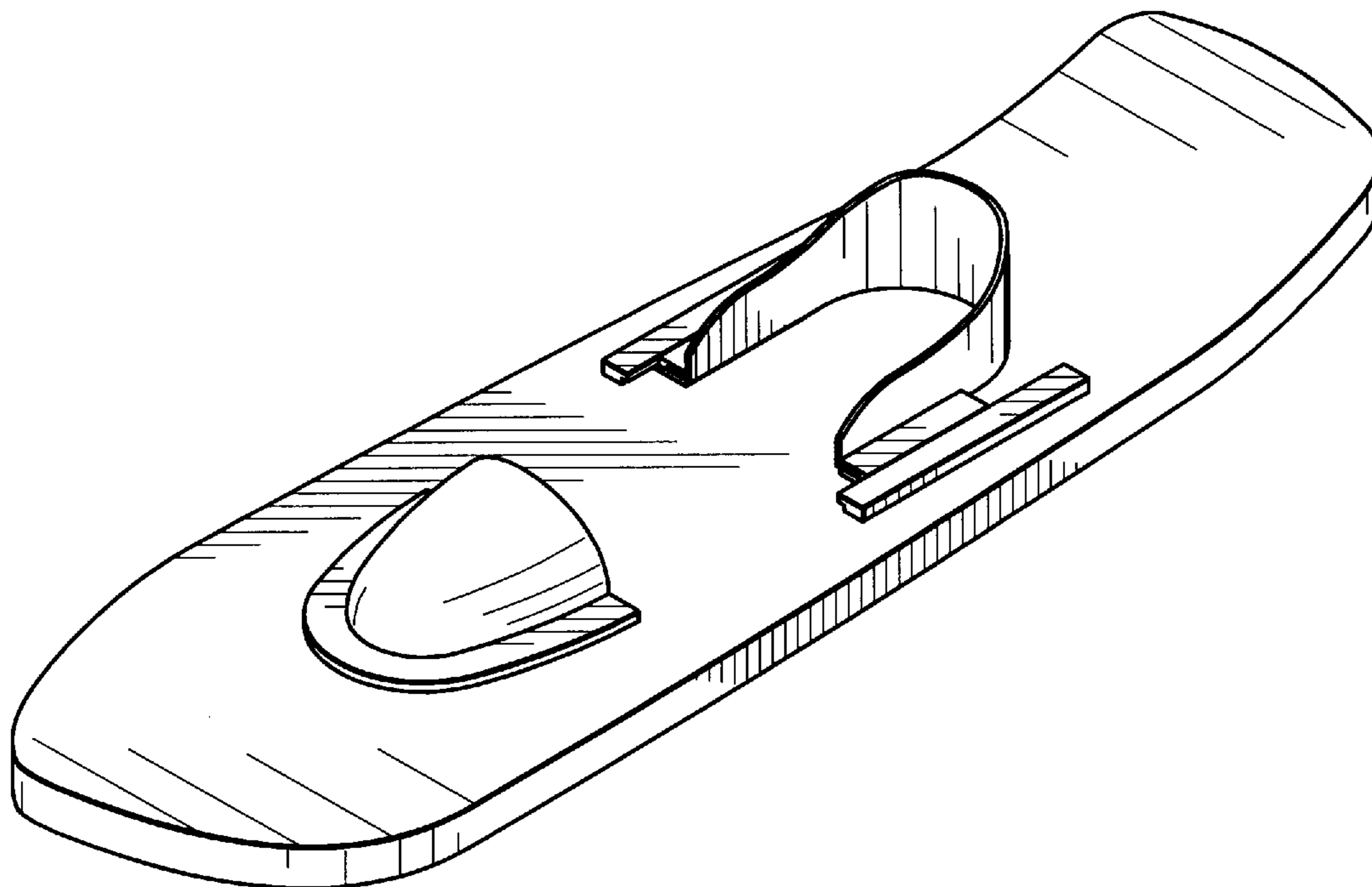
FIG. 6 is a rear elevational view thereof; and,

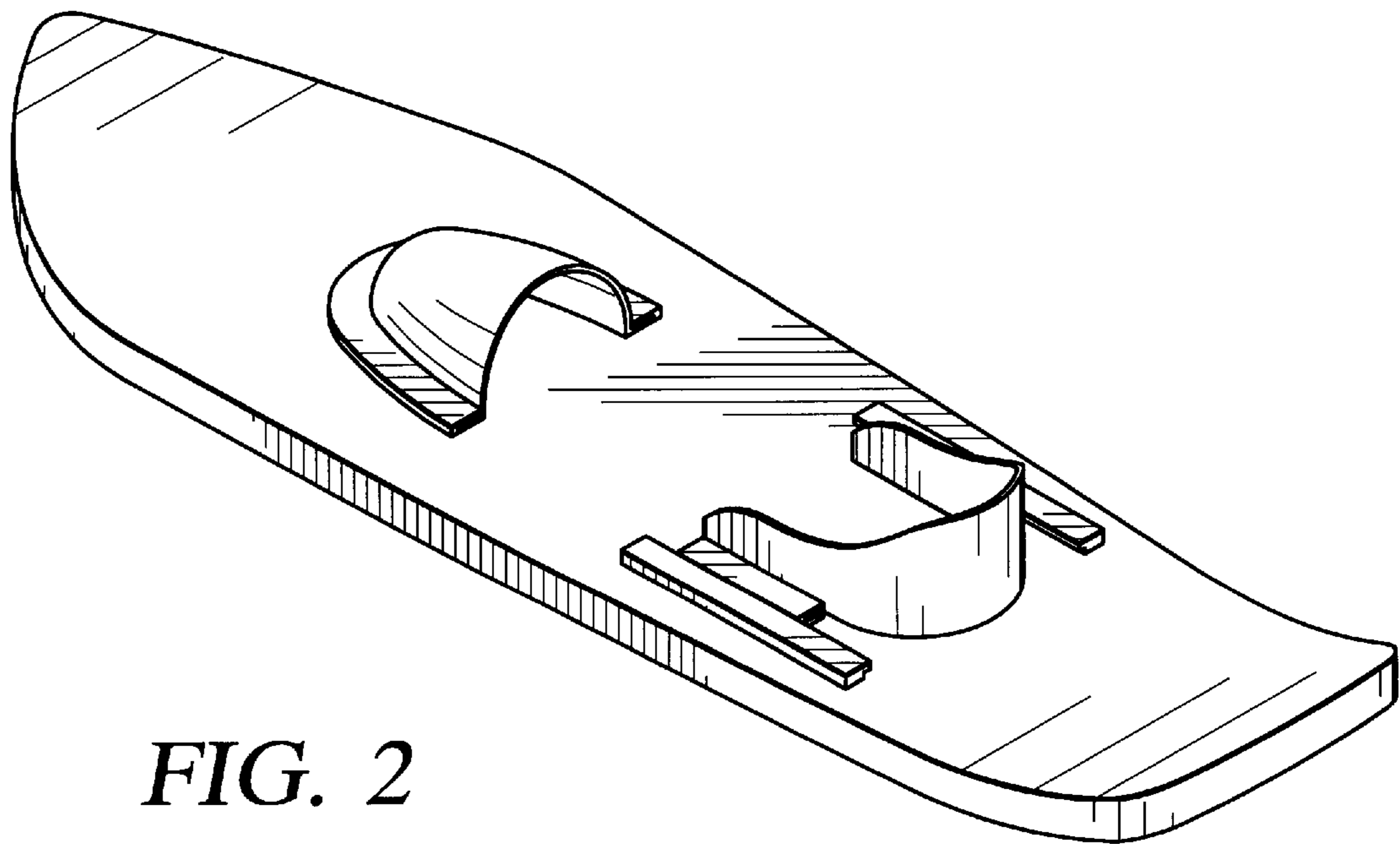
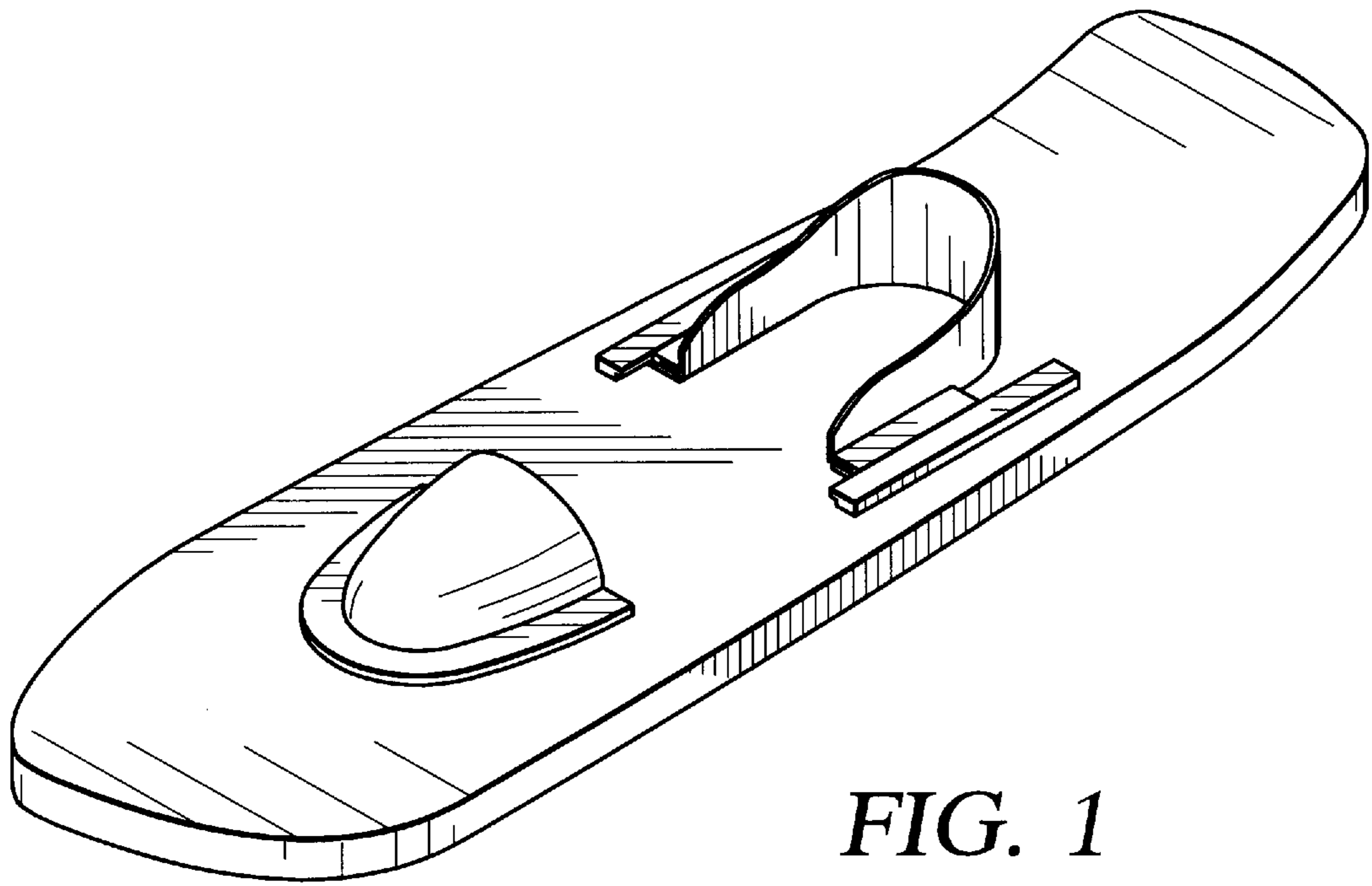
FIG. 7 is a front elevational view thereof.

U.S. PATENT DOCUMENTS

2,382,150 8/1945 Hartman D21/229 X

1 Claim, 2 Drawing Sheets





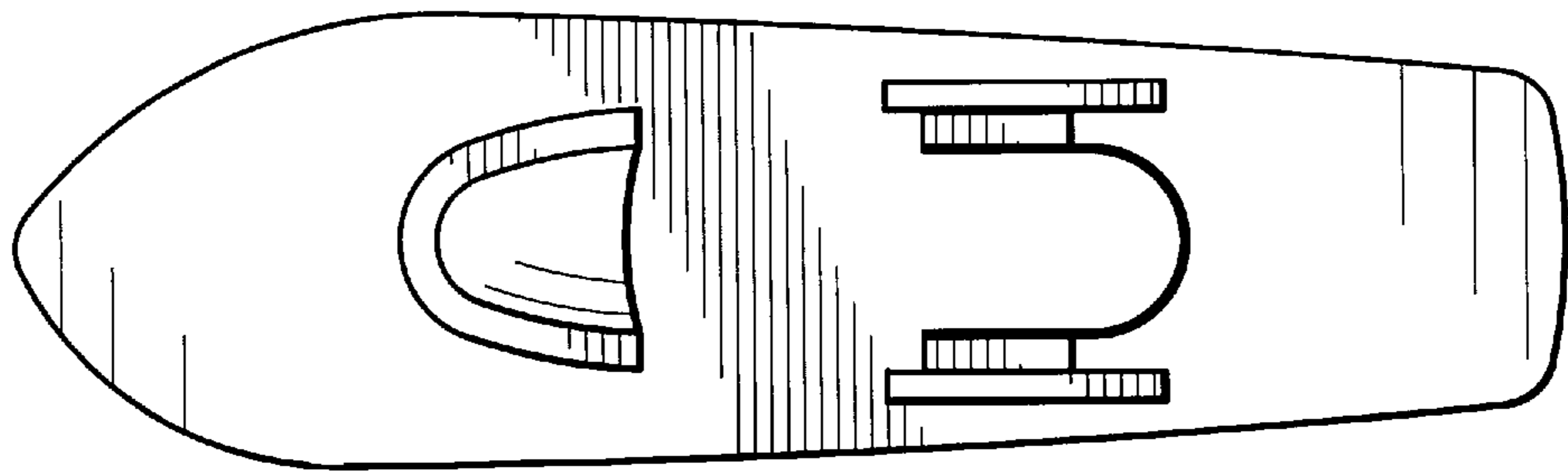


FIG. 3

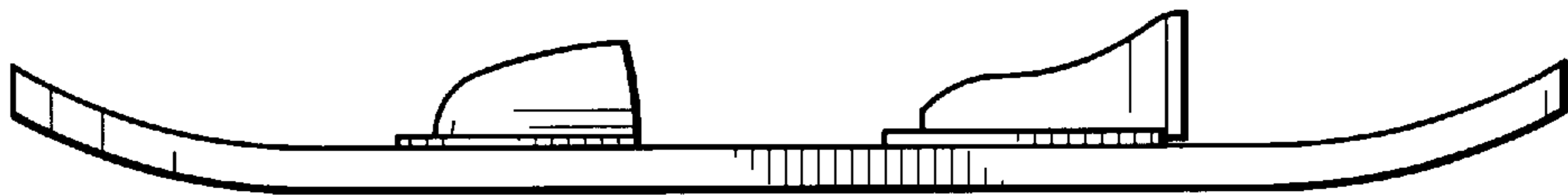


FIG. 4

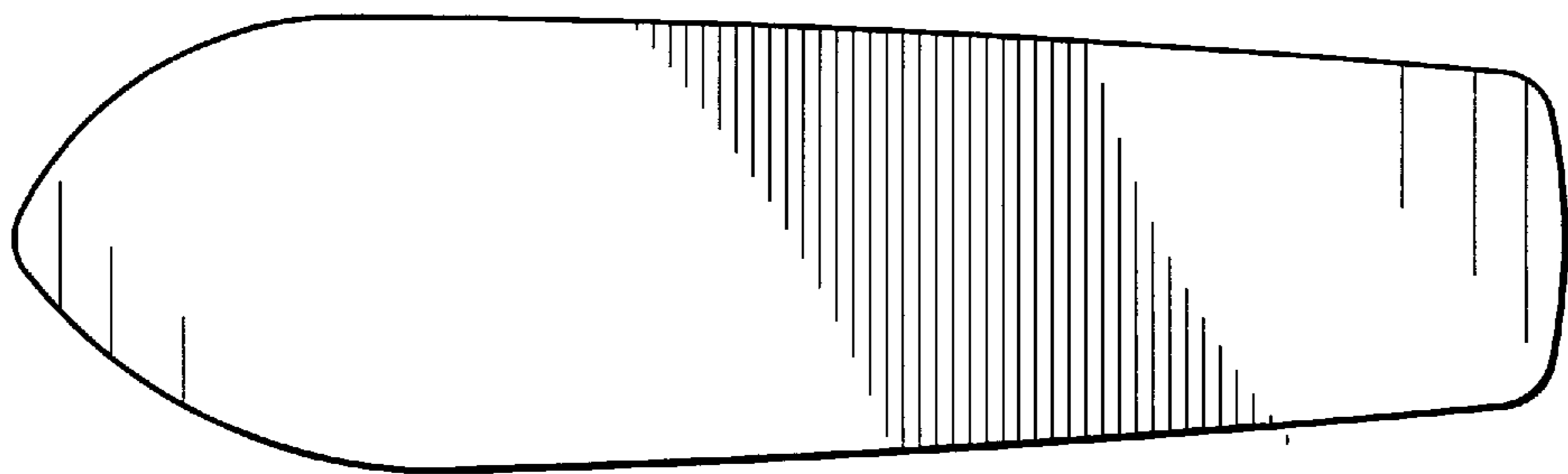


FIG. 5

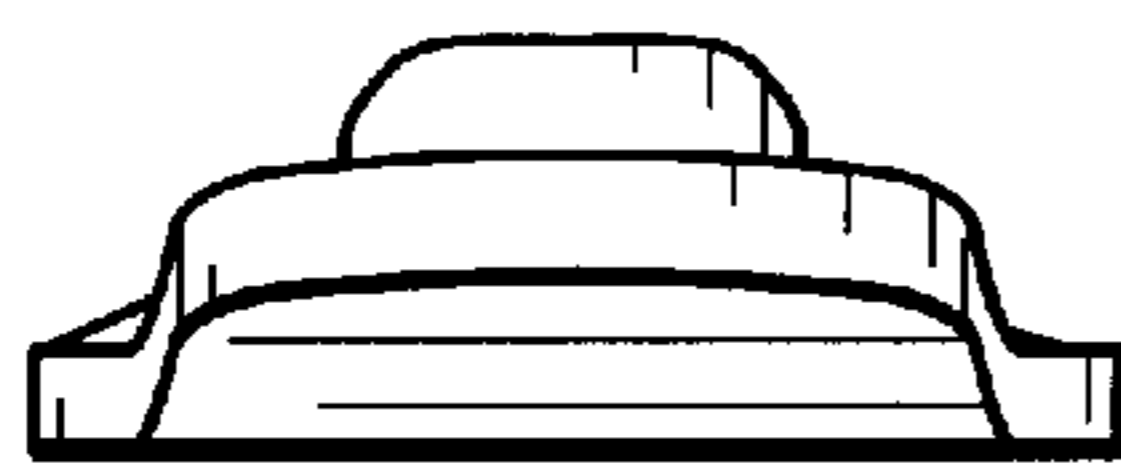


FIG. 6

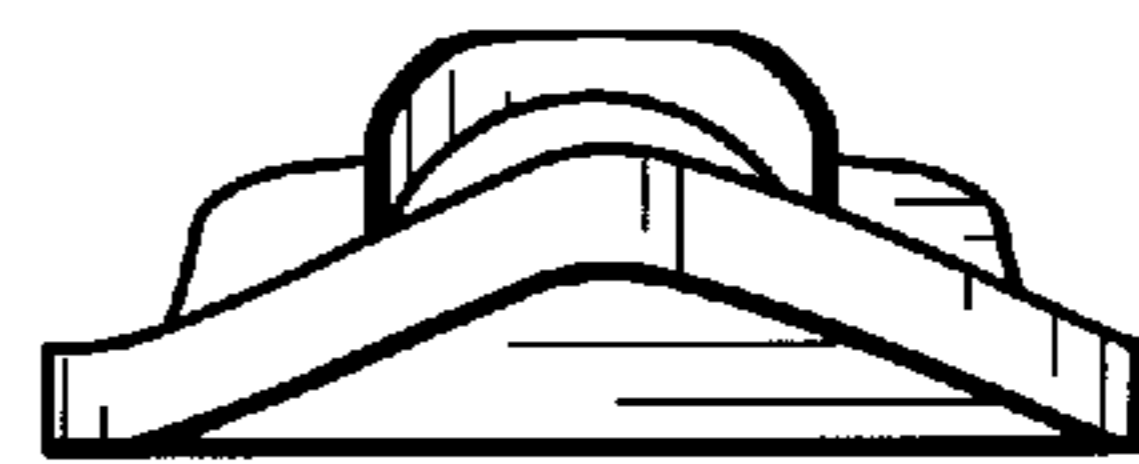


FIG. 7