



US00D399547S

**United States Patent** [19]  
**Sizemore, Jr.**

[11] **Patent Number: Des. 399,547**

[45] **Date of Patent: \*\*Oct. 13, 1998**

[54] **GOLF PUTTER HEAD**

[75] Inventor: **Bruce Edward Sizemore, Jr.**, Palm Harbor, Fla.

[73] Assignee: **Bruce E. Sizemore, Jr. Golf Design, L.L.C.**, Bloomfield Hills, Mich.

[\*\*] Term: **14 Years**

[21] Appl. No.: **75,573**

[22] Filed: **Aug. 21, 1997**

[51] **LOC (6) Cl.** ..... **21-02**

[52] **U.S. Cl.** ..... **D21/219**

[58] **Field of Search** ..... D21/217-219;  
473/324, 340, 341

[56] **References Cited**

**U.S. PATENT DOCUMENTS**

|            |         |               |       |         |
|------------|---------|---------------|-------|---------|
| D. 341,405 | 11/1993 | Solheim       | ..... | D21/219 |
| D. 349,142 | 7/1994  | Boone         | ..... | D21/217 |
| D. 350,581 | 9/1994  | Boone         | ..... | D21/217 |
| D. 350,583 | 9/1994  | Boone         | ..... | D21/219 |
| D. 363,327 | 10/1995 | Greene et al. | ..... | D21/219 |

|            |         |               |       |         |
|------------|---------|---------------|-------|---------|
| D. 363,328 | 10/1995 | Greene et al. | ..... | D21/219 |
| D. 363,330 | 10/1995 | Greene et al. | ..... | D21/219 |
| D. 368,505 | 4/1996  | Greene et al. | ..... | D21/219 |

*Primary Examiner*—Sandra L. Morris  
*Assistant Examiner*—Mitchell I. Siegel  
*Attorney, Agent, or Firm*—Harness, Dickey & Pierce, P.L.C.

[57] **CLAIM**

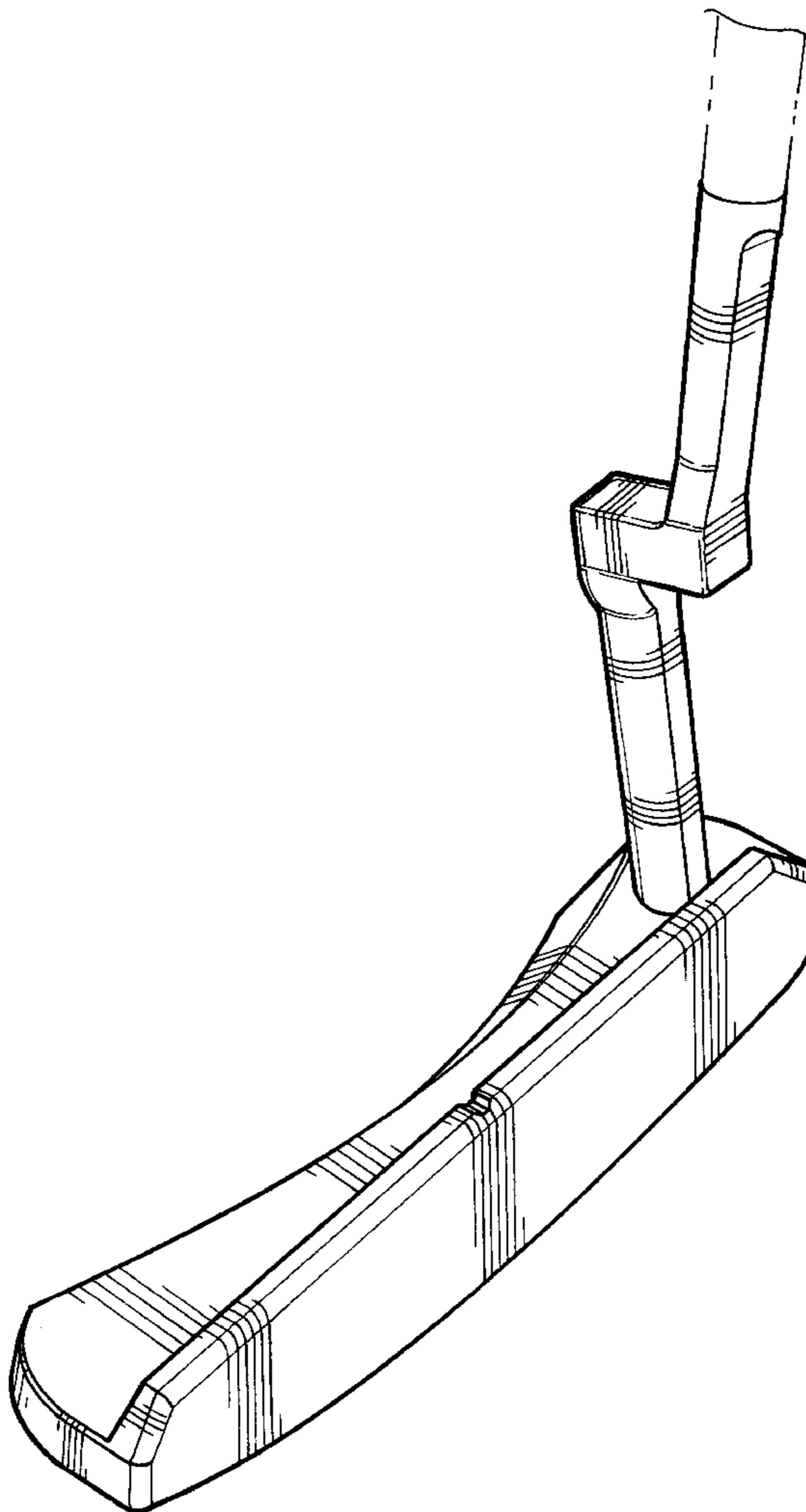
The ornamental design for a golf putter head, as shown and described.

**DESCRIPTION**

FIG. 1 is a perspective view of a golf putter head in accordance with my new design;  
FIG. 2 is a front view thereof;  
FIG. 3 is a rear view thereof;  
FIG. 4 is a top view thereof;  
FIG. 5 is a bottom view thereof;  
FIG. 6 is a right side view thereof; and,  
FIG. 7 is a left side view thereof.

The broken line showing of a fragmented shaft is for illustrative purposes only and forms no part of the claimed design.

**1 Claim, 3 Drawing Sheets**



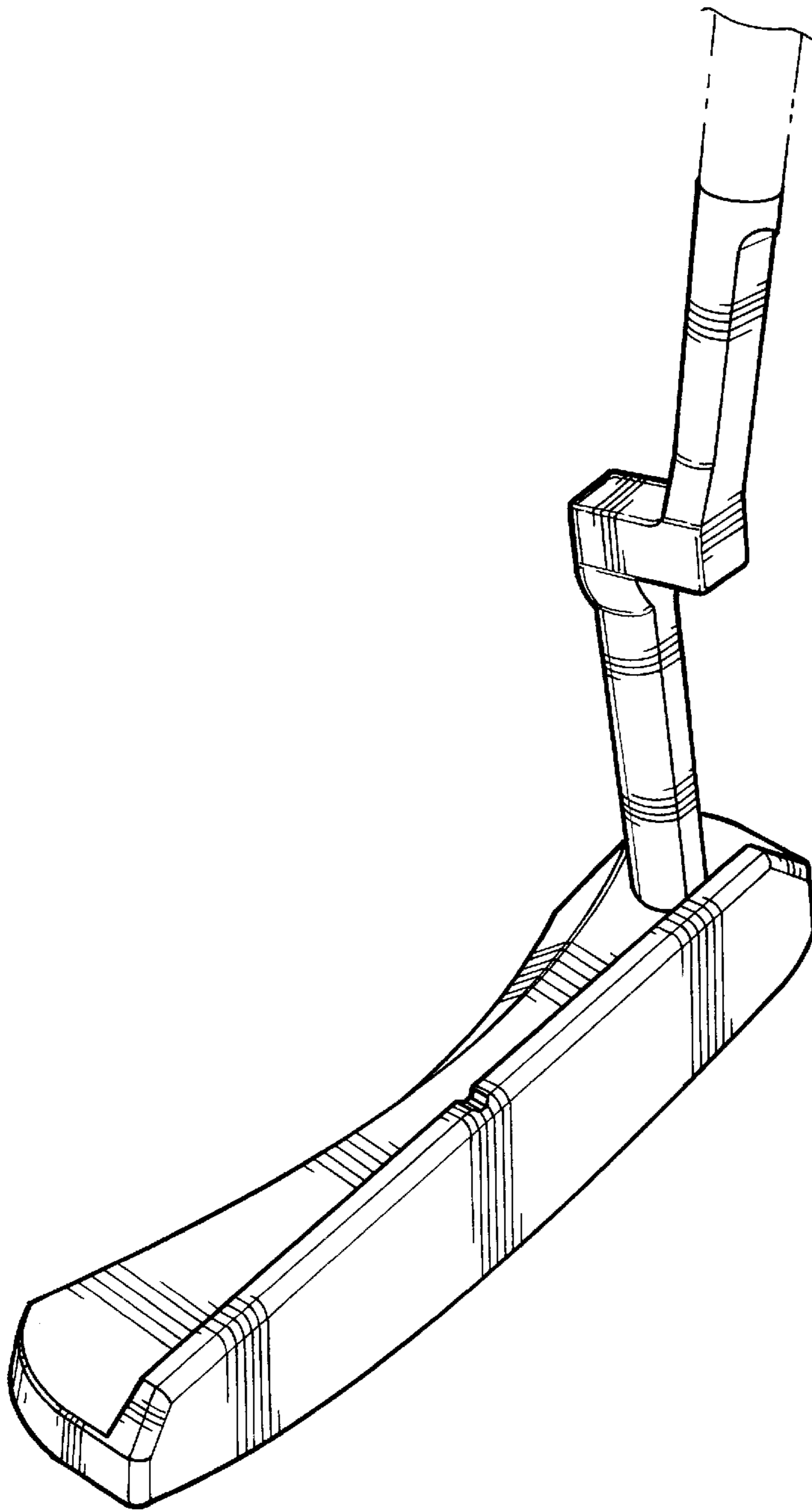


Fig-1

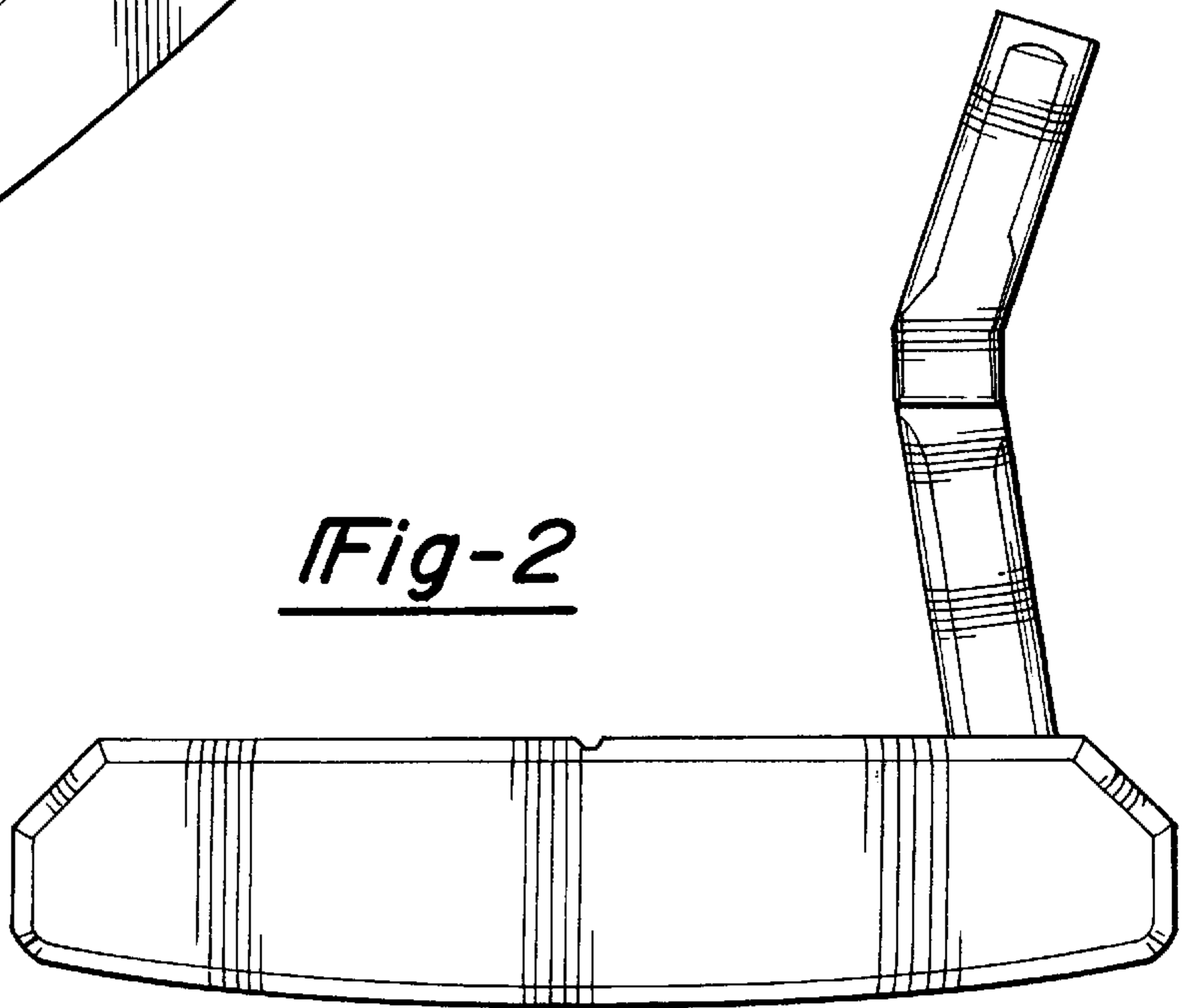


Fig-2

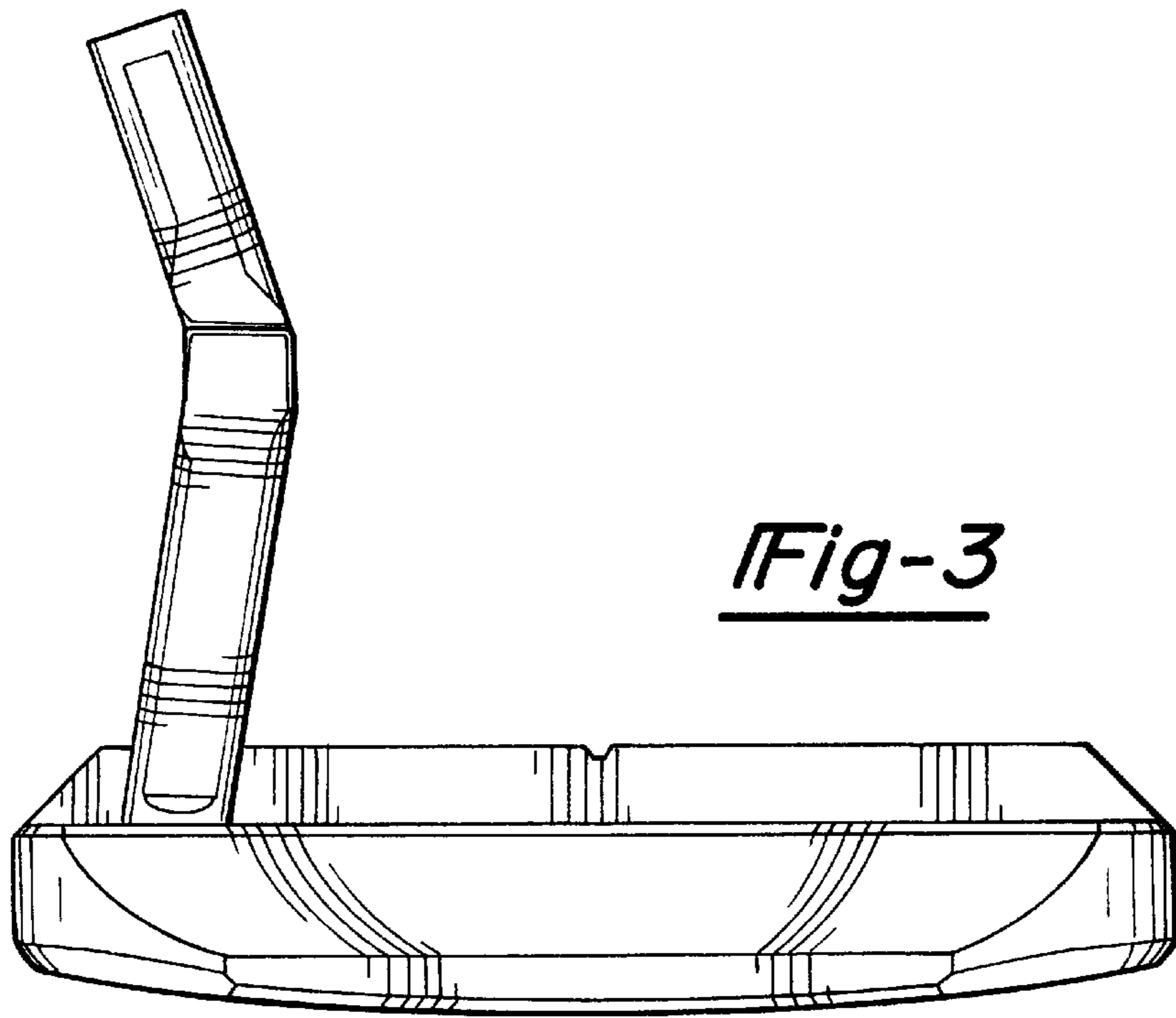


Fig-3

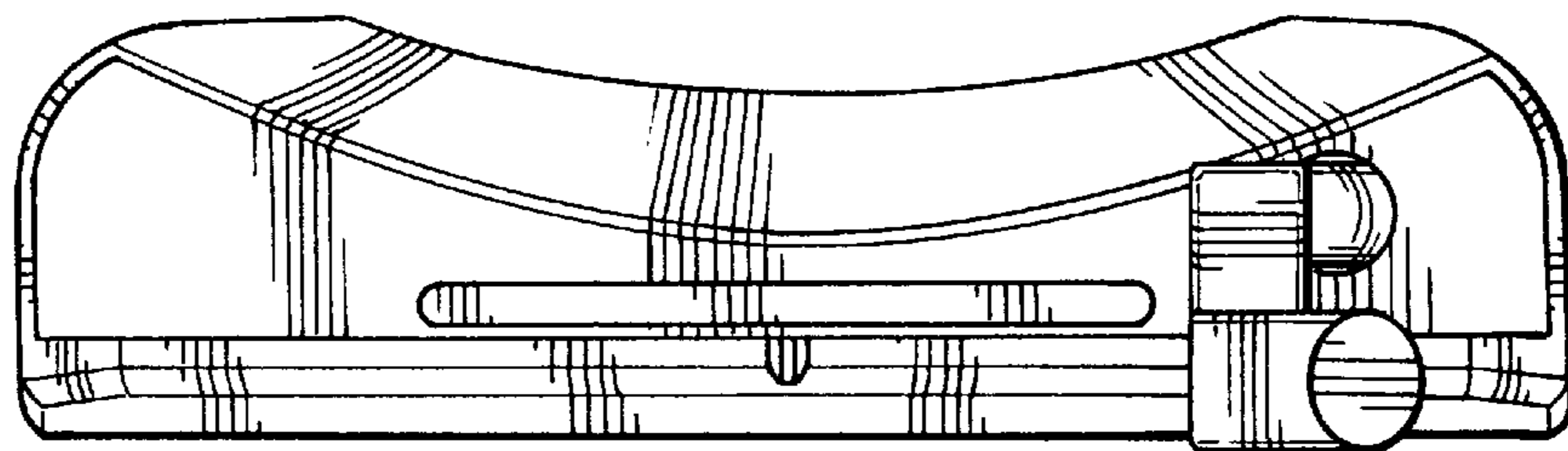


Fig-4

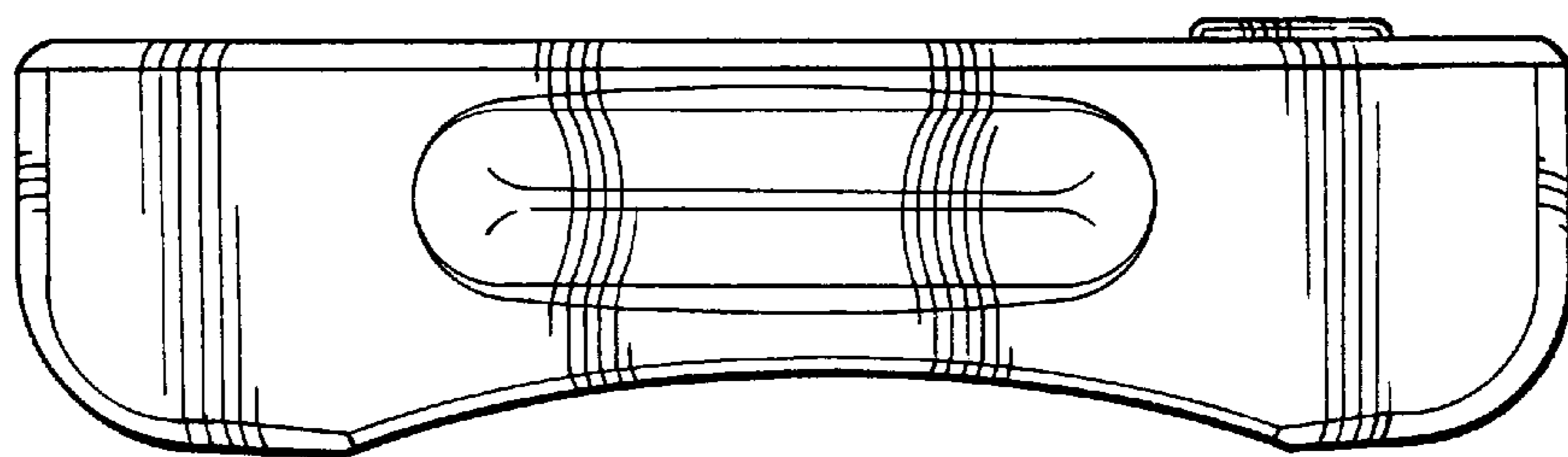


Fig-5

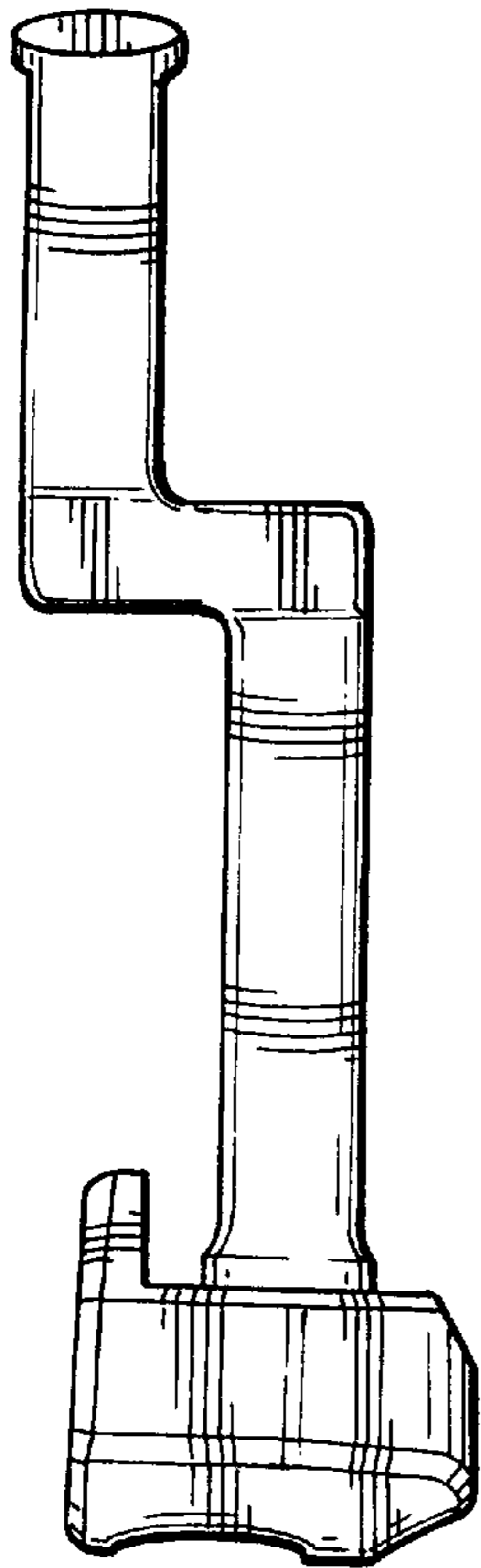


Fig-6

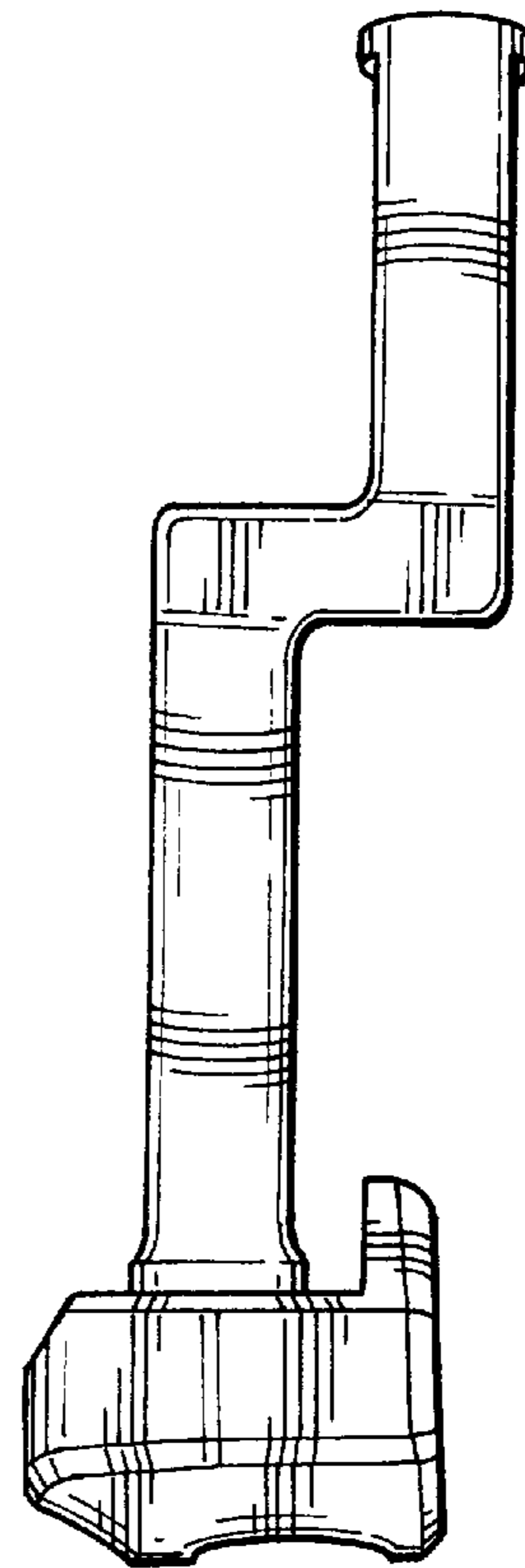


Fig-7