



US00D399546S

United States Patent [19] Polzin

[11] **Patent Number: Des. 399,546**

[45] **Date of Patent: **Oct. 13, 1998**

[54] **GOLF PUTTER HEAD**

[76] Inventor: **Lyle D. Polzin**, 1336 Greentree Valley, Apt. #7, Memphis, Tenn. 38119

[**] Term: **14 Years**

[21] Appl. No.: **57,683**

[22] Filed: **Jul. 30, 1996**

[51] **LOC (6) Cl. 21-02**

[52] **U.S. Cl. D21/218**

[58] **Field of Search D21/217-219, D21/221; 473/340, 341, 251-256**

[56] **References Cited**

U.S. PATENT DOCUMENTS

D. 303,559	9/1989	Florian	D21/217
D. 306,055	2/1990	Morris	D21/218
D. 368,292	3/1996	Willoughby	D21/219 X
3,341,202	9/1967	Stars	473/340 X
3,399,898	9/1968	Burkland	473/340
4,508,342	4/1985	Drake	473/313
4,872,684	10/1989	Dippel	473/253
5,090,698	2/1992	Kleinfelter	473/313
5,324,031	6/1994	Green	473/252
5,362,056	11/1994	Minotti	473/251
5,433,441	7/1995	Olsen et al.	.	

OTHER PUBLICATIONS

copy of an advertisement for CopperKing™ putter from Apr. 1996 issue of *Golf Tips*.

copy of an advertisement for Masterroll™ putter from Summer 1996 *Competitive Edge*.

Primary Examiner—Ted Shooman
Assistant Examiner—Mitchell I. Siegel
Attorney, Agent, or Firm—Kalish & Gilster

[57] **CLAIM**

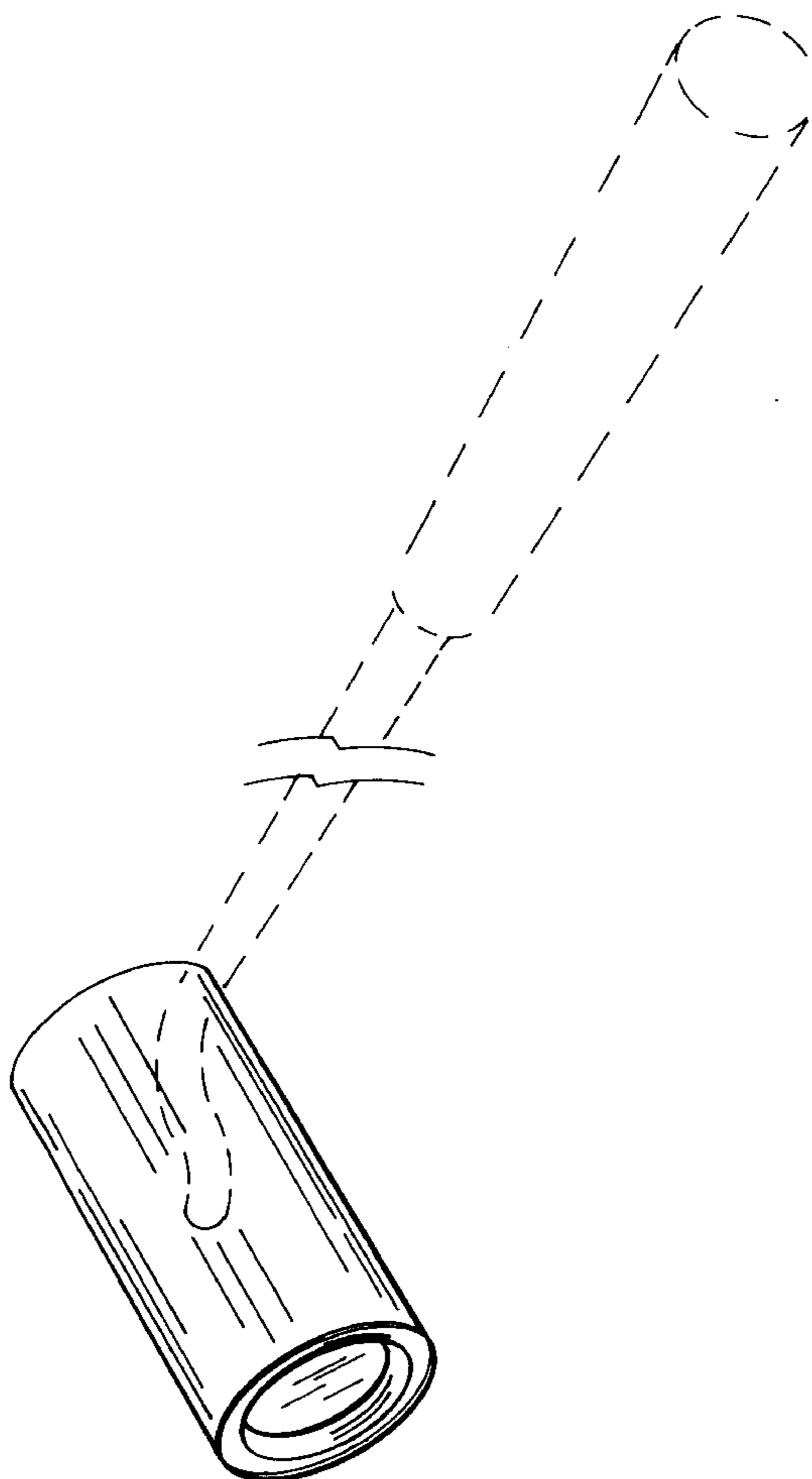
The ornamental design for a golf putter head, as shown and described.

DESCRIPTION

FIG. 1 is a top perspective view of a golf putter head showing my new design;
FIG. 2 an enlarged left side elevational view thereof;
FIG. 3 is right side elevational view of FIG. 2;
FIG. 4 is a front elevational view of FIG. 2;
FIG. 5 is a rear elevational view of FIG. 2;
FIG. 6 is a bottom plan view; and,
FIG. 7 is a top plan view.

The broken line showing of a handle and shaft is for illustrative purposes only and forms no part of the claimed design.

1 Claim, 4 Drawing Sheets



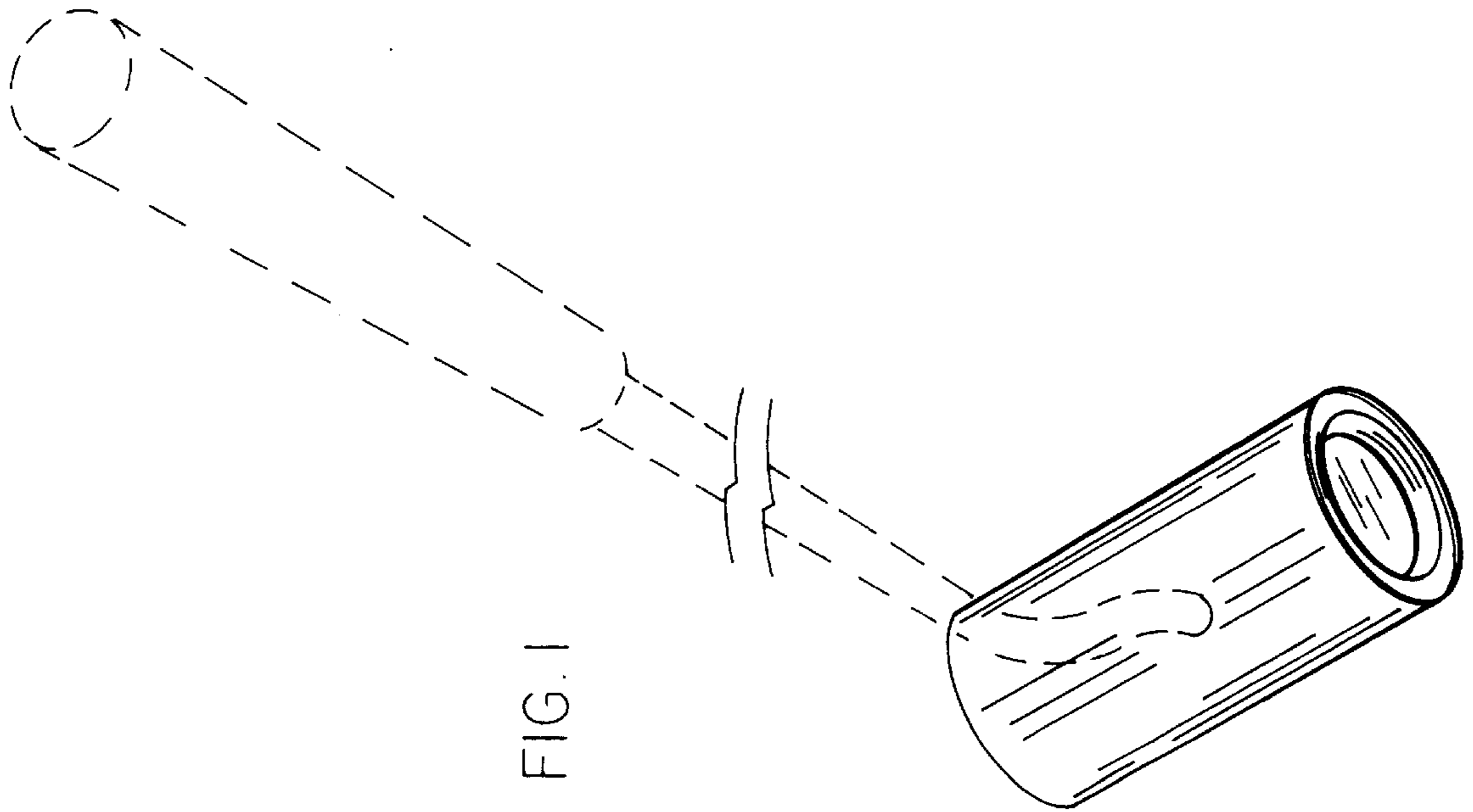


FIG. 1

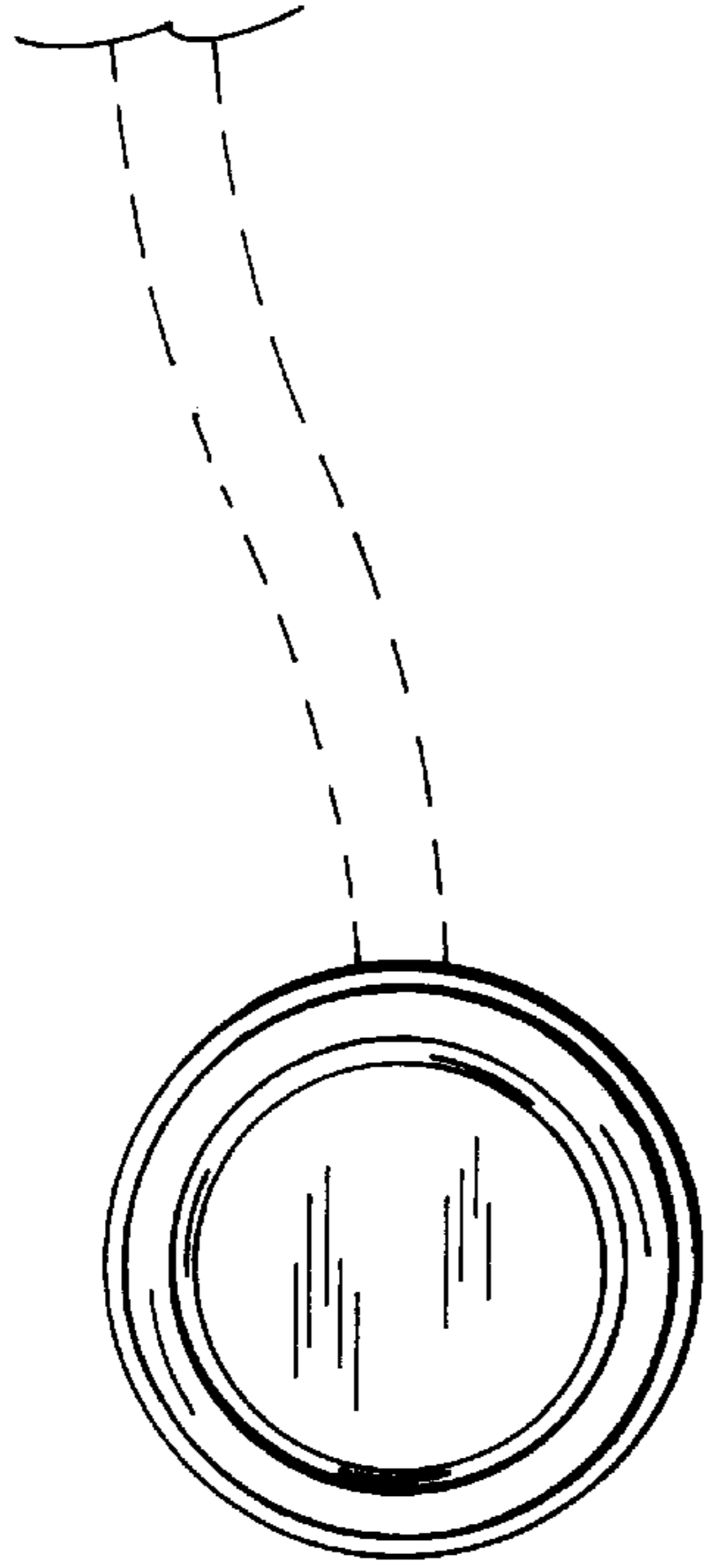


FIG. 2

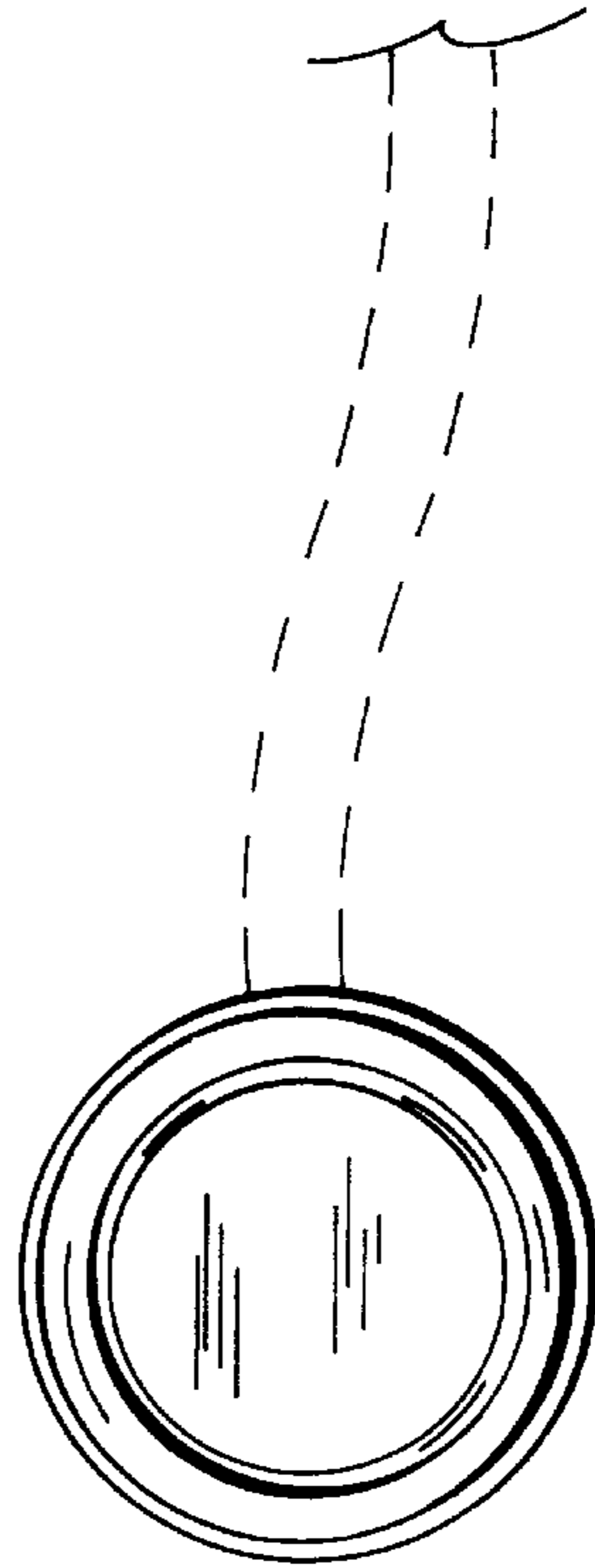


FIG. 3

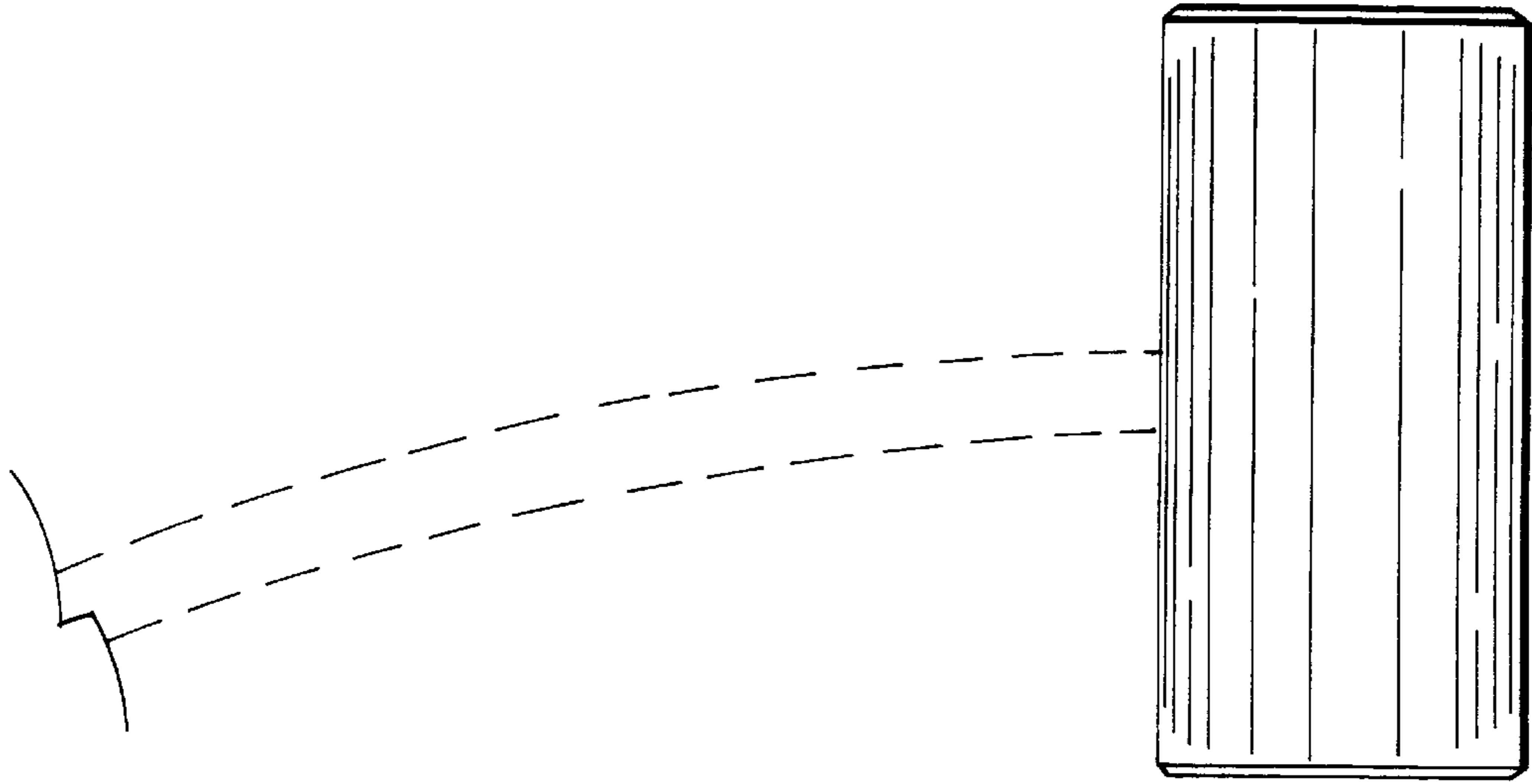


FIG. 5

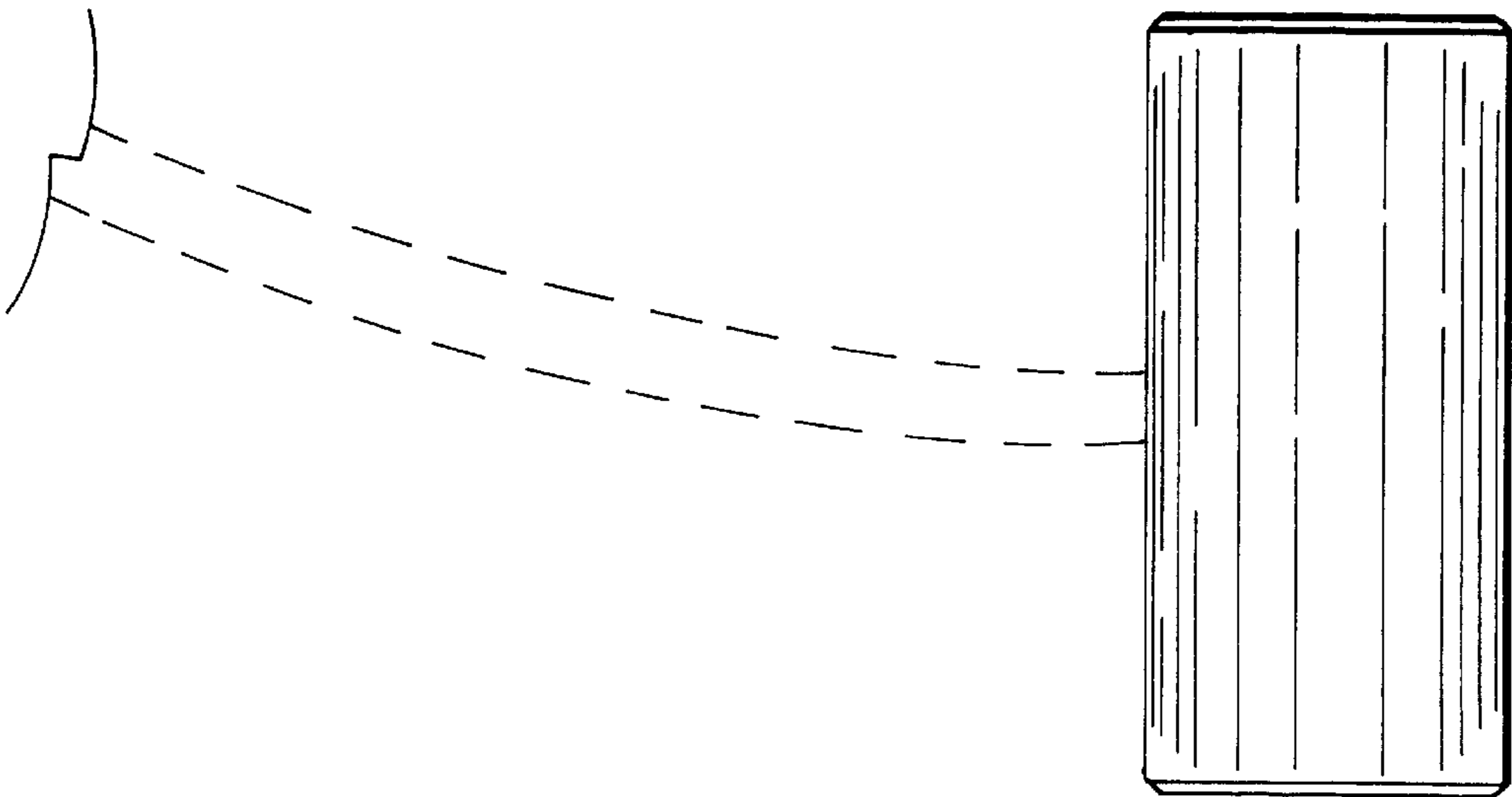


FIG. 4

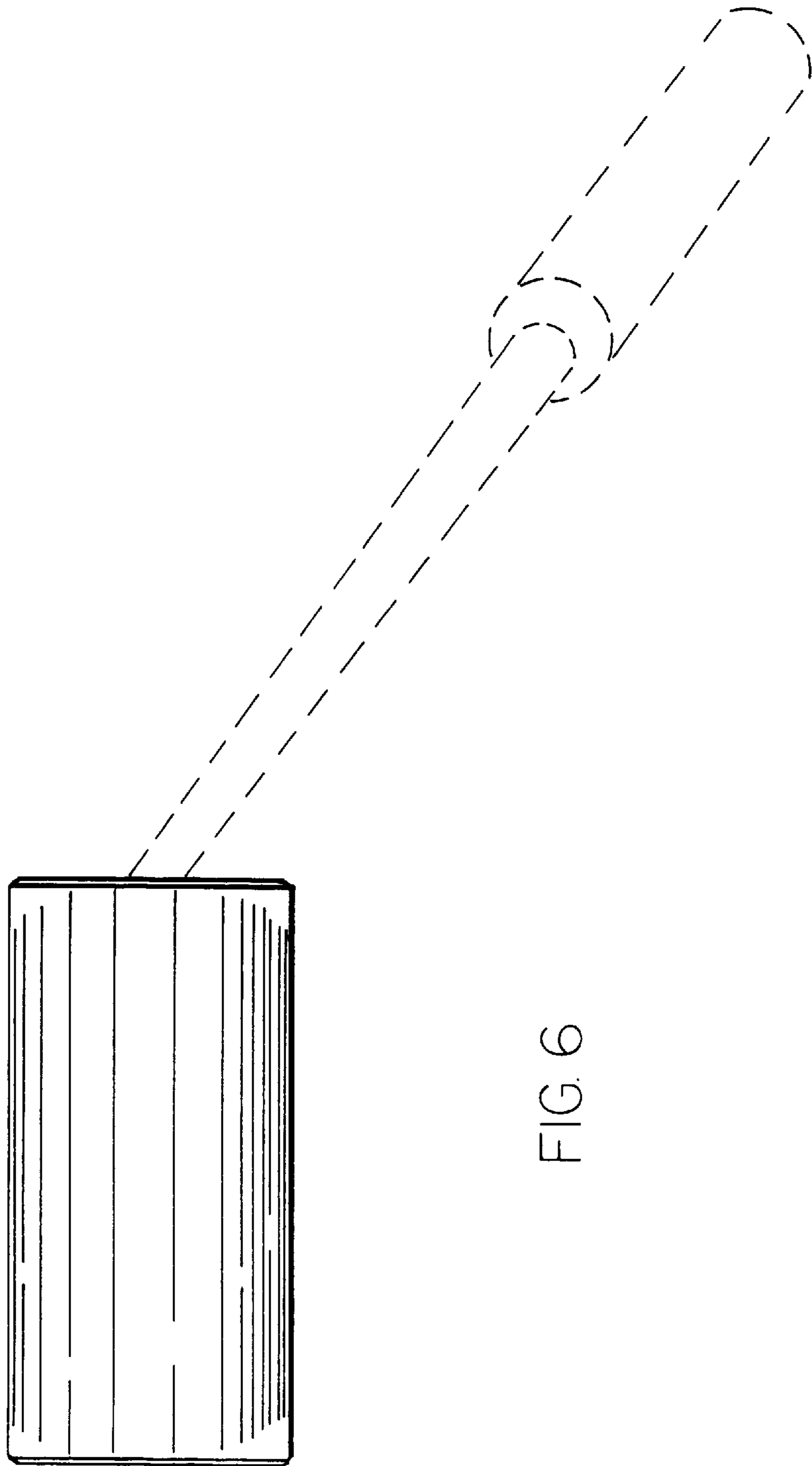


FIG. 6

