



US00D399540S

United States Patent [19]
Wolfenstein

[11] **Patent Number: Des. 399,540**

[45] **Date of Patent: **Oct. 13, 1998**

[54] **CASINO CHIP HOLDER**

D. 329,895 9/1992 Chumsae D3/269

[76] Inventor: **Richard Wolfenstein**, S. Augusta Ct.,
La Habra, Calif. 92631

Primary Examiner—Sandra L. Morris
Attorney, Agent, or Firm—Crockett & Fish; Robert D. Fish

[**] Term: **14 Years**

[57] **CLAIM**

[21] Appl. No.: **71,857**

The ornamental design for a casino chip holder, as shown and described.

[22] Filed: **May 15, 1997**

DESCRIPTION

[51] **LOC (6) Cl.** **21-01**

FIG. 1 is a perspective view of a casino chip holder, showing my new design, shown in an opened condition;

[52] **U.S. Cl.** **D21/56; D3/294**

FIG. 2 is a perspective view thereof, shown in a closed position;

[58] **Field of Search** D21/14-36, 54-56;
273/236-285, 148 R, 148 A, 150, 151;
D3/269, 294, 903; D9/341, 426

FIG. 3 is a top plan view thereof;

FIG. 4 is a right side elevational view thereof, the other side being identical;

[56] **References Cited**

FIG. 5 is a front view thereof; and,

U.S. PATENT DOCUMENTS

FIG. 6 is a rear view thereof.

- D. 104,944 6/1937 Lathrop D21/54
- D. 148,685 2/1948 Foier D21/56
- D. 163,210 5/1951 Long D3/294
- D. 273,403 4/1984 DeLuca D21/56

The broken line showing of the chip is for illustrative purposes only, and forms no part of the claimed design.

1 Claim, 2 Drawing Sheets

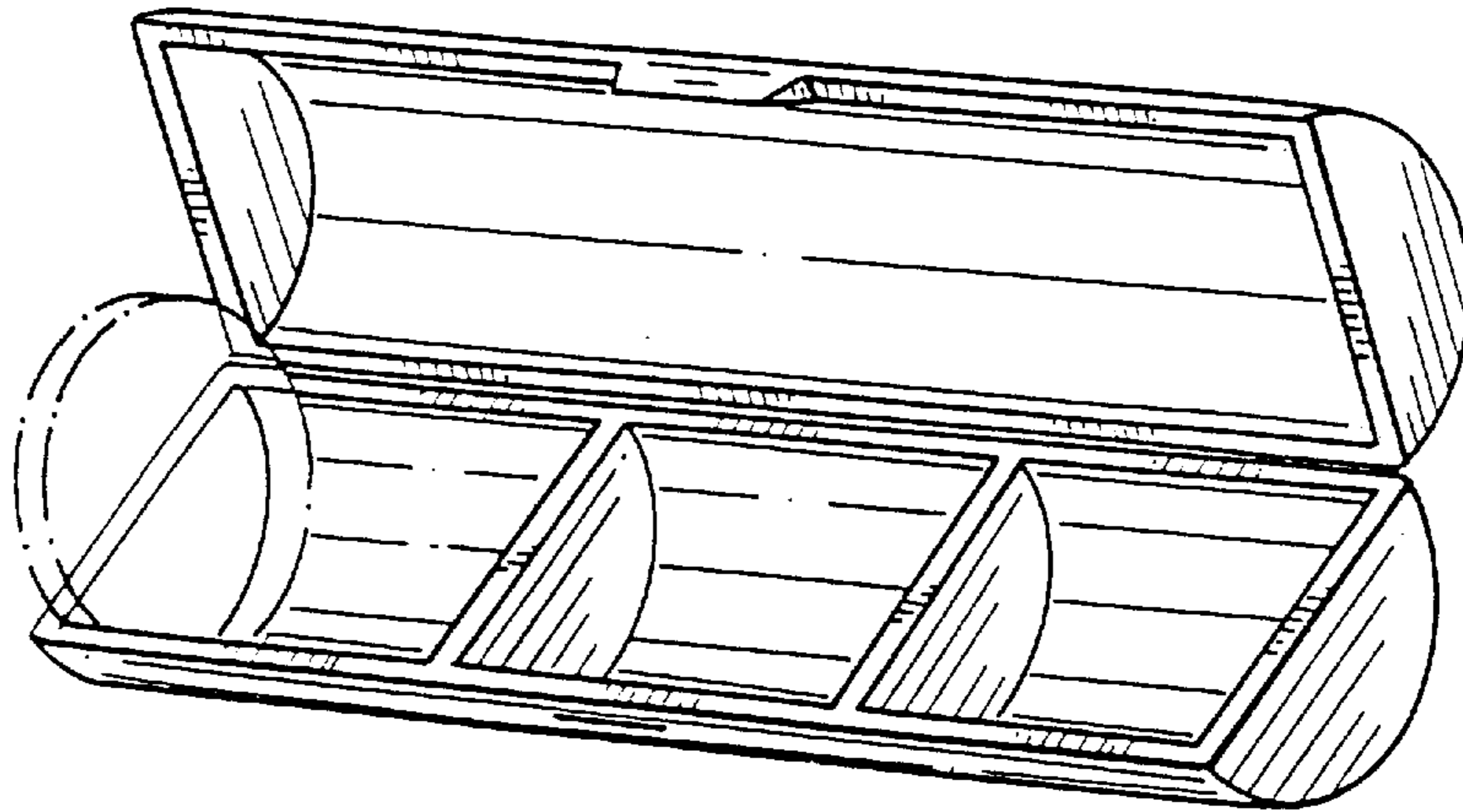


FIG. 1

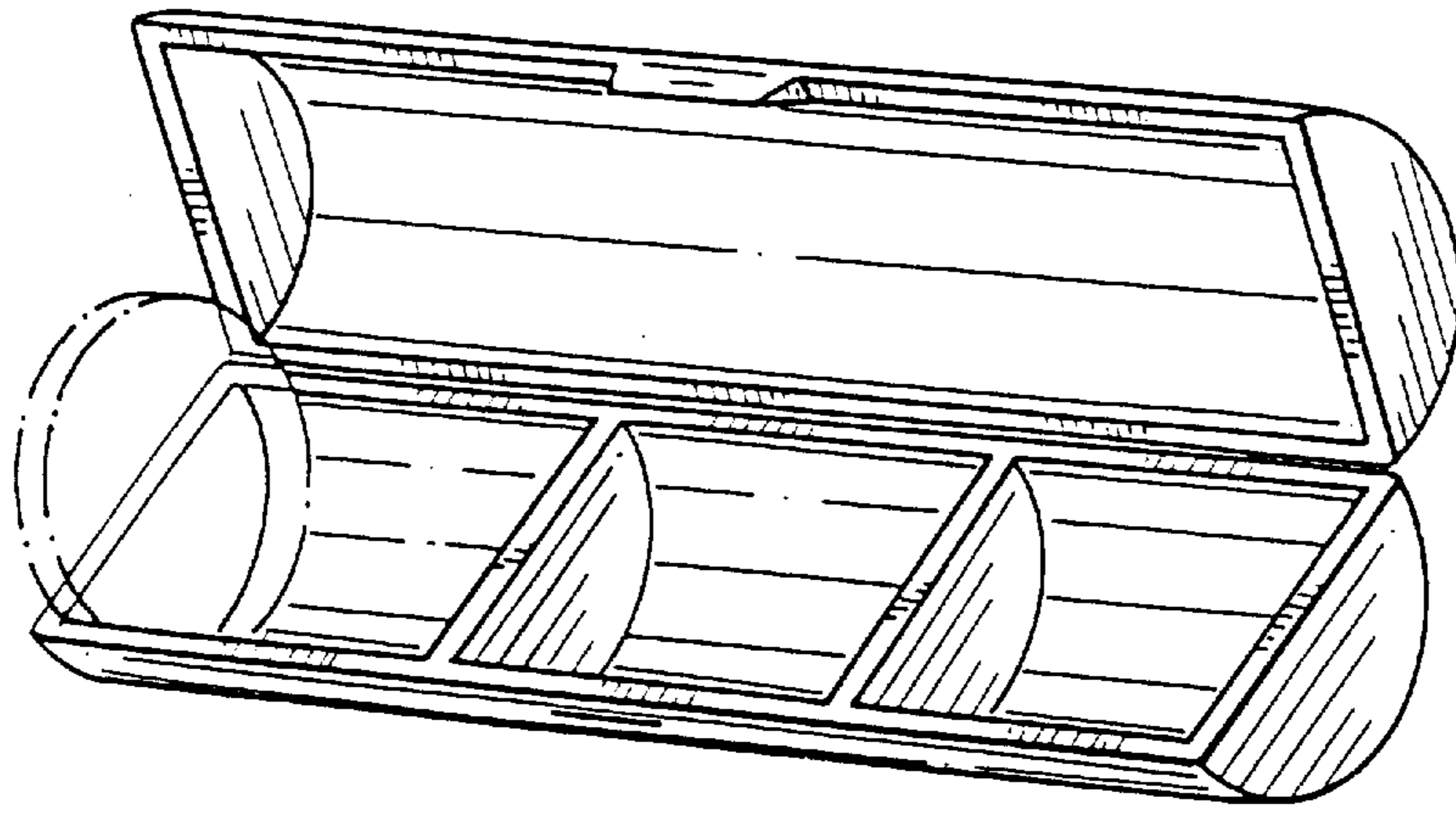


FIG. 2

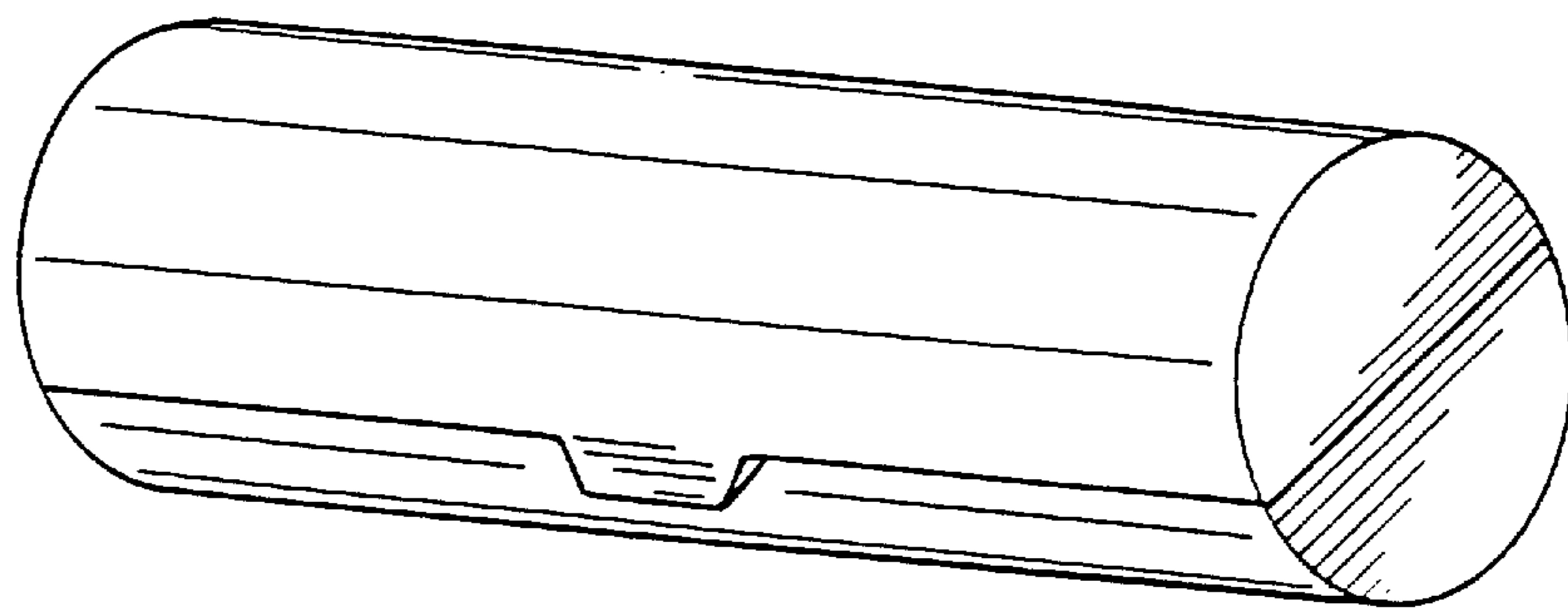


FIG. 3

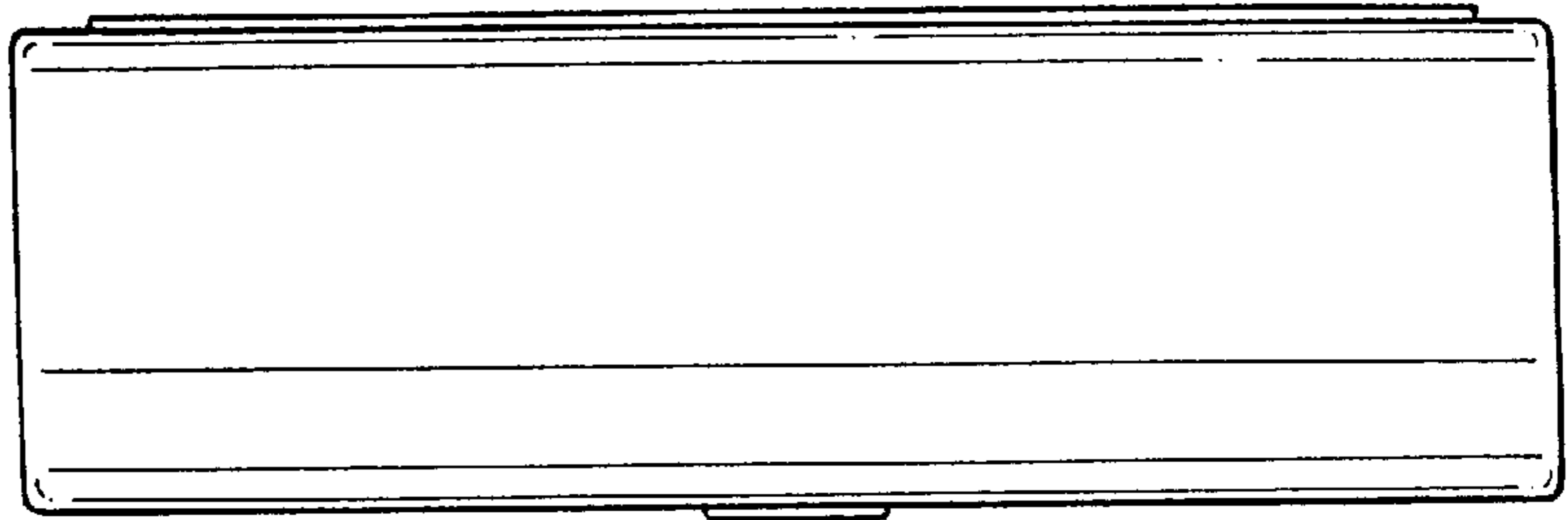


FIG. 4

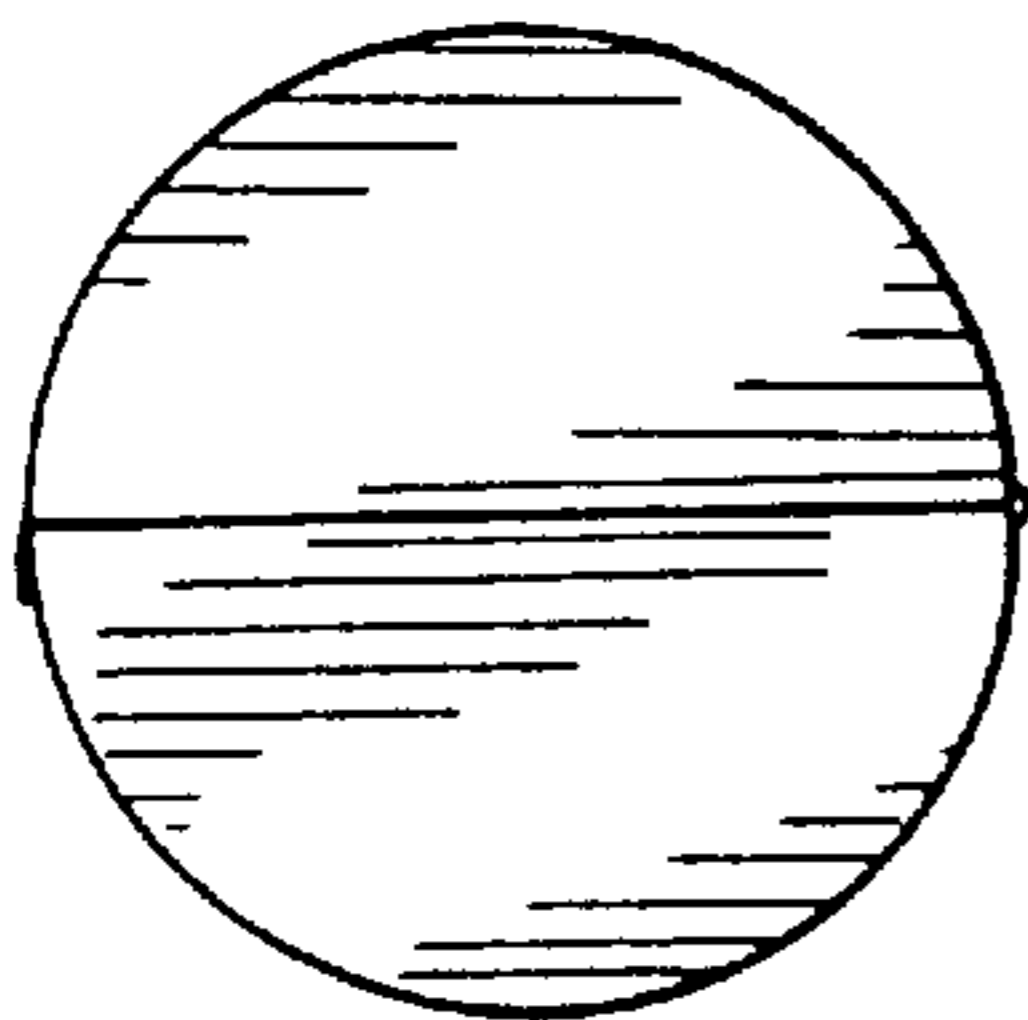


FIG. 5

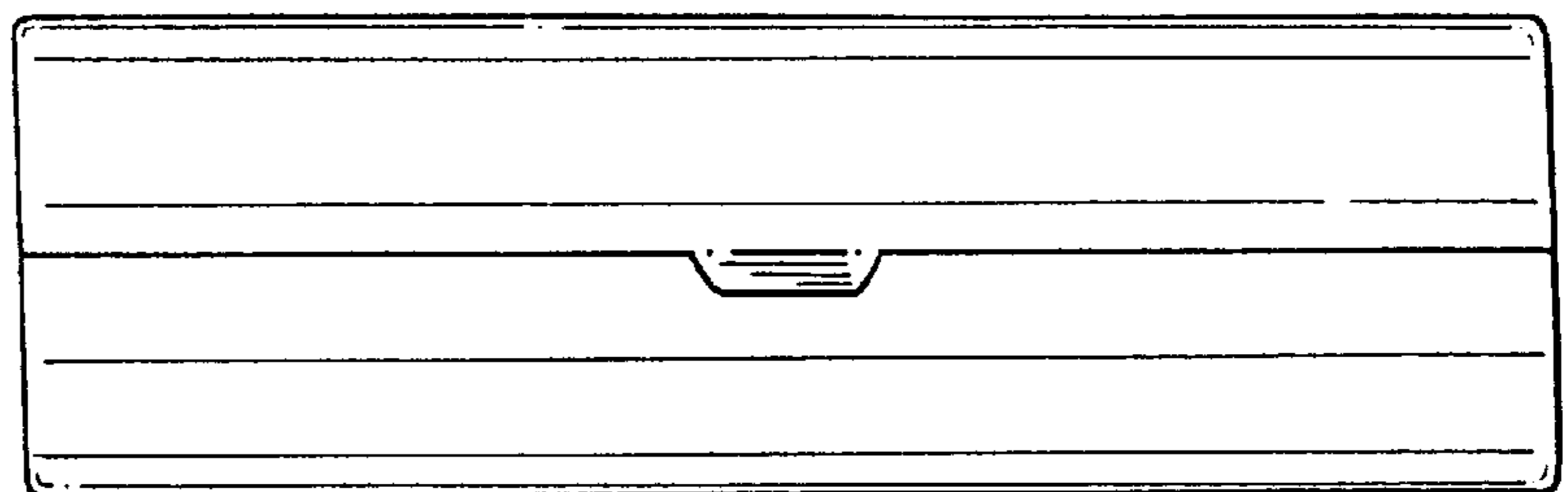


FIG. 6

