



US00D399539S

United States Patent [19]

Smith et al.

[11] Patent Number: **Des. 399,539**

[45] Date of Patent: ****Oct. 13, 1998**

[54] **DART**

[75] Inventors: **William A. Smith**, Greenfield; **Justin L. Voden**, Waukesha, both of Wis.

[73] Assignee: **Great Lakes Dart Manufacturing, Inc.**, Muskego, Wis.

[**] Term: **14 Years**

[21] Appl. No.: **80,842**

[22] Filed: **Nov. 26, 1997**

[51] **LOC (6) Cl.** **21-01**

[52] **U.S. Cl.** **D21/49**

[58] **Field of Search** D21/5, 6, 49; 273/348, 273/371, 376, 398, 408; 473/569, 578

[56] References Cited

U.S. PATENT DOCUMENTS

D. 381,372	7/1997	Smith	D21/49
1,893,787	1/1933	Schroeder	.	
4,212,464	7/1980	Pelouch	473/578
5,388,840	2/1995	Werle	D21/49 X

5,425,542 6/1995 Blackwood et al. 473/578

FOREIGN PATENT DOCUMENTS

2 079 613	1/1982	United Kingdom	.
2 102 296	2/1983	United Kingdom	.
2 163 058	2/1986	United Kingdom	.

OTHER PUBLICATIONS

DMI—Dart Mart Inc. Catalog, p. 20.

Primary Examiner—Sandra L. Morris
Attorney, Agent, or Firm—Whyte Hirschboeck Dudek, S.C.

[57] CLAIM

The ornamental design for a dart, as shown and described.

DESCRIPTION

FIG. 1 is a perspective view thereof;
 FIG. 2 is a front elevational view thereof;
 FIG. 3 is a rotated view of FIG. 2;
 FIG. 4 is a rear end view thereof; and,
 FIG. 5 is a front end view thereof.
 FIGS. 2–5 are shown on an enlarged scale.

1 Claim, 1 Drawing Sheet

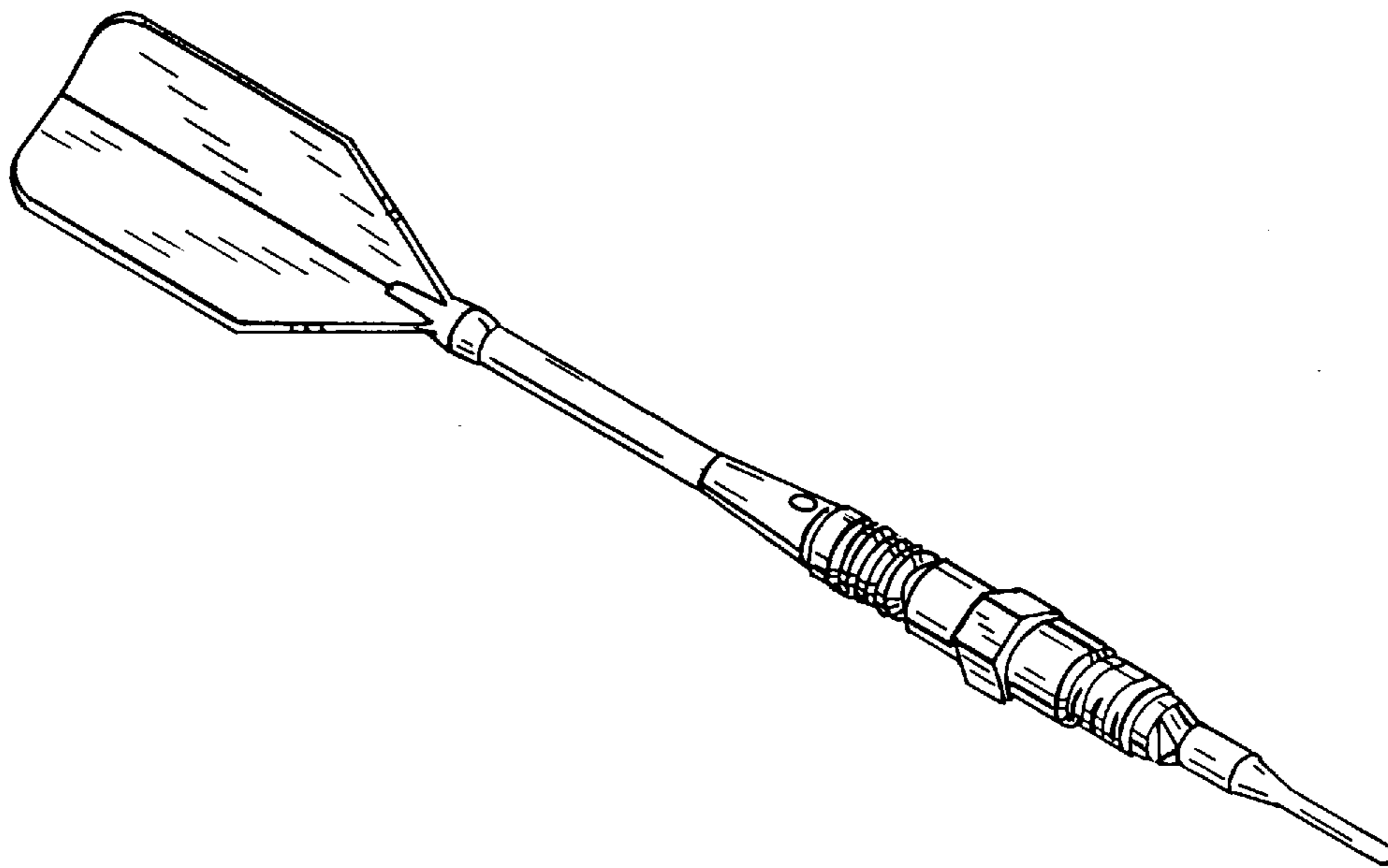


FIG. 5

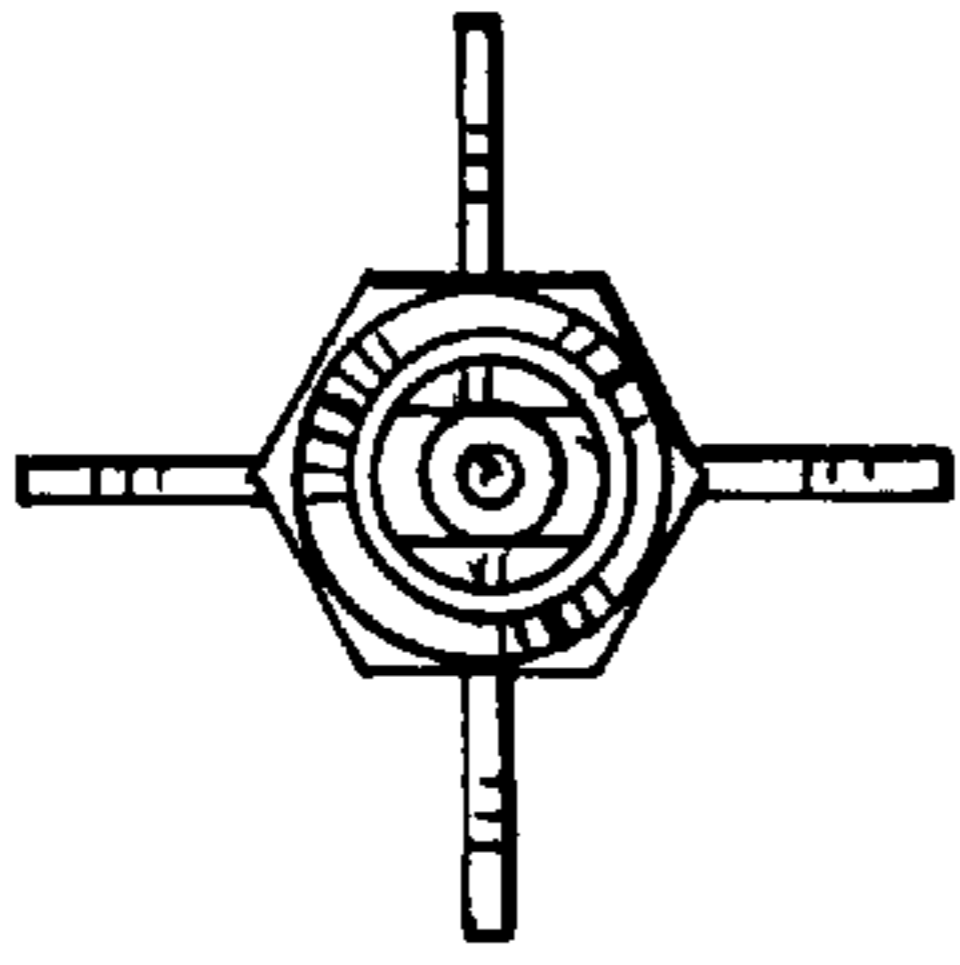


FIG. 4

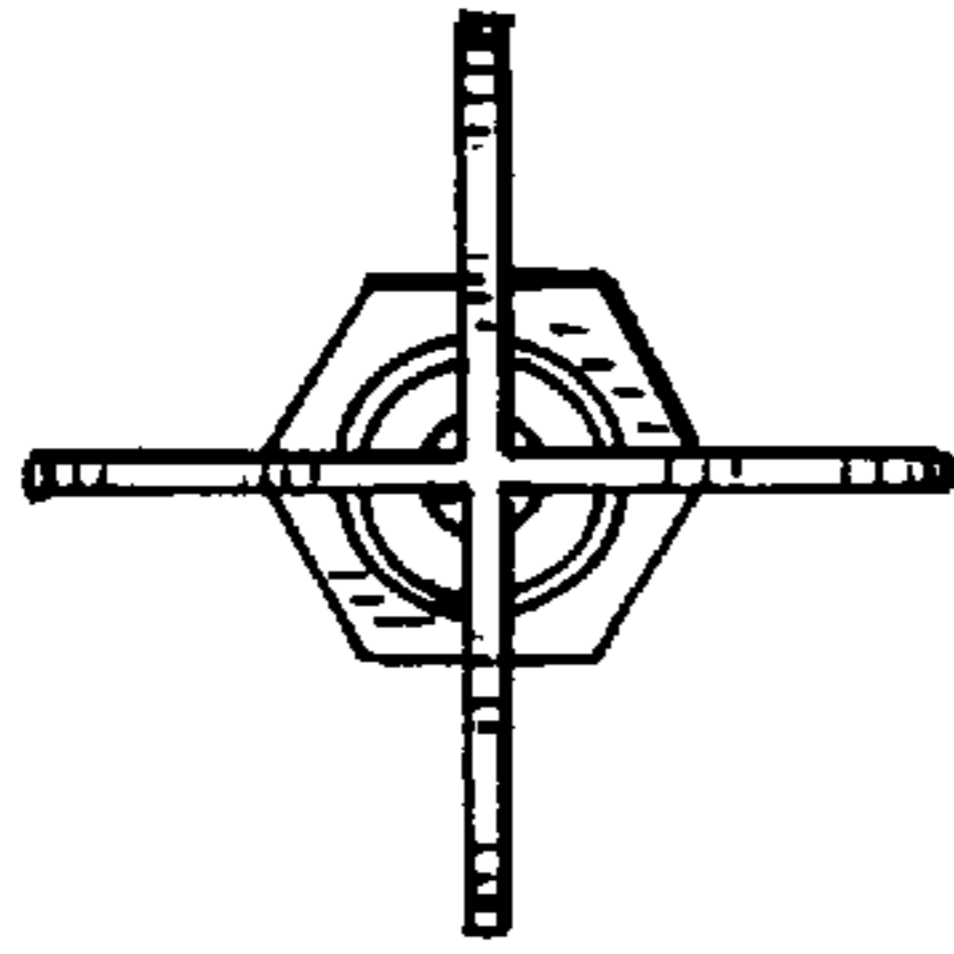


FIG. 1

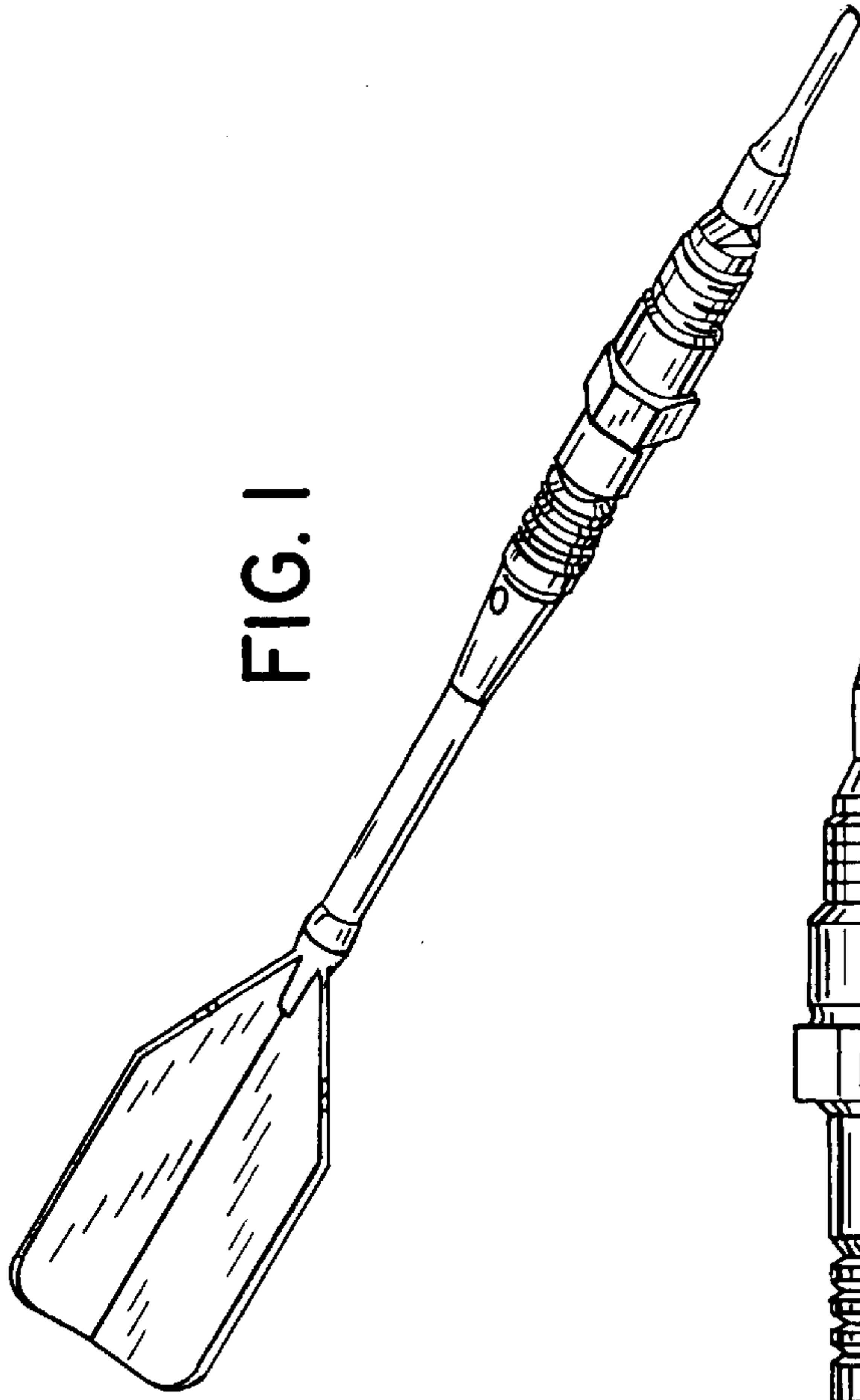


FIG. 2

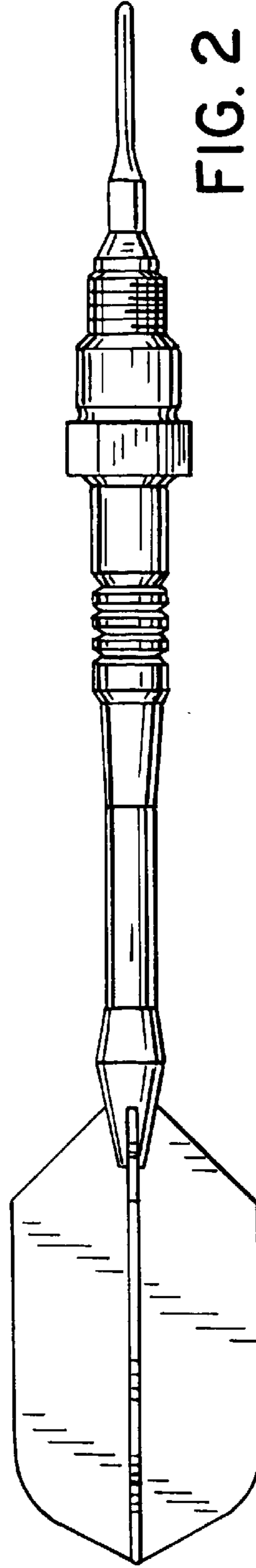


FIG. 3

