



US00D399535S

United States Patent [19] Parker

[11] Patent Number: **Des. 399,535**

[45] Date of Patent: ****Oct. 13, 1998**

[54] **AIR BALL GAME**

[76] Inventor: **Newton A. Parker**, 67 Concord Pl.,
Lafayette, N.J. 07848

[**] Term: **14 Years**

[21] Appl. No.: **72,616**

[22] Filed: **Jun. 20, 1997**

[51] **LOC (6) Cl.** **21-01**

[52] **U.S. Cl.** **D21/2; D21/12**

[58] **Field of Search** D21/1-5, 8, 11,
D21/12; 273/349, 351, 399, 404, 355, 356,
457, 458, 459, 317.3, 340, 371, 379

4,079,937 3/1978 Kirsch 273/317.3
 4,136,872 1/1979 Matsumoto 273/317.3
 4,412,680 11/1983 Zorn 273/349
 5,017,171 5/1991 Shiina 273/457 X
 5,417,435 5/1995 Peretz 273/355
 5,480,147 1/1996 Ethler et al. 273/317.3

Primary Examiner—Prashakar G. Deshmukh

[57] CLAIM

The ornamental design for an air ball game, as shown and described.

DESCRIPTION

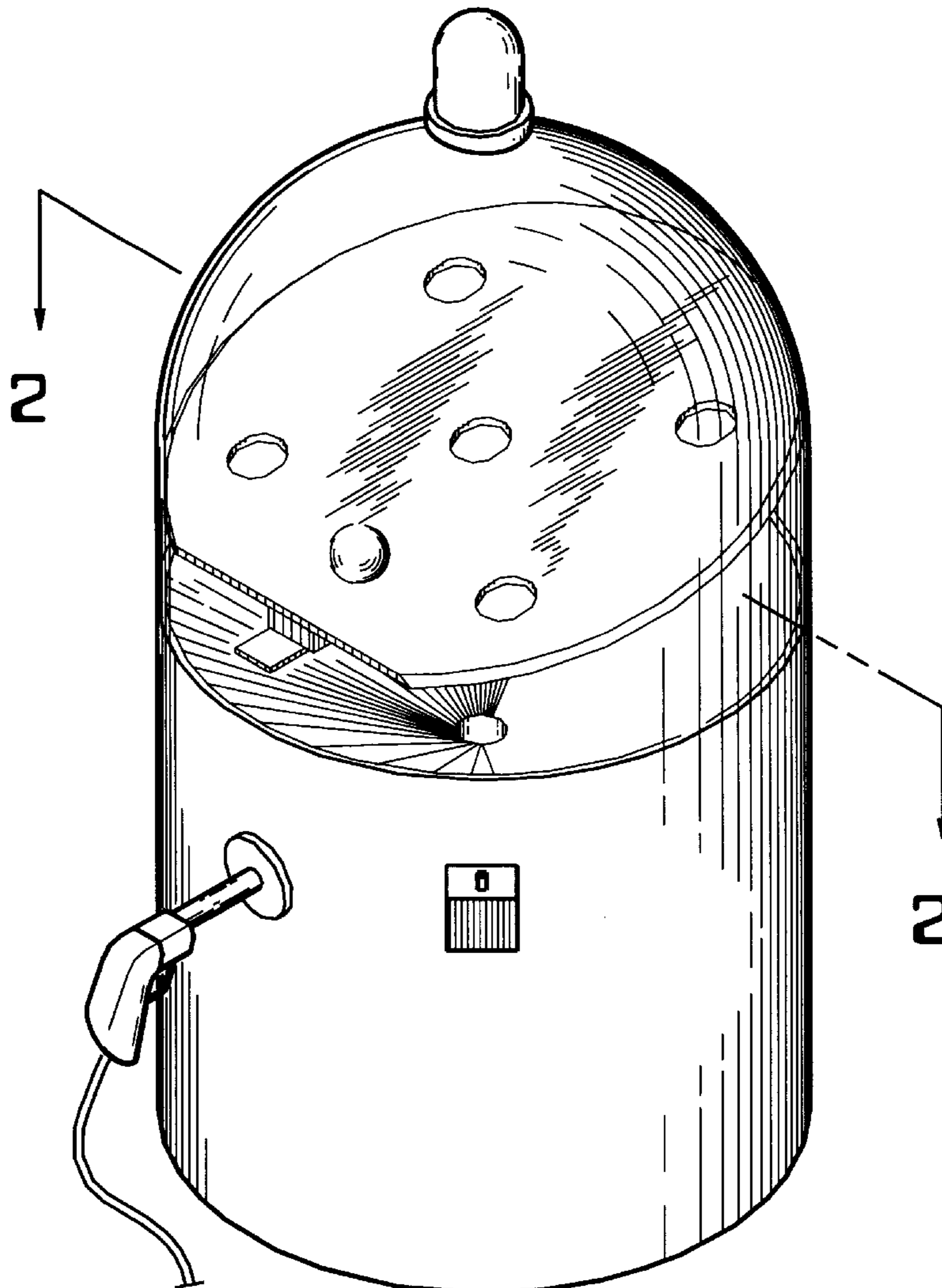
FIG. 1 is a perspective view of an air ball game showing my new design;
 FIG. 2 is a sectional top plan view thereof; taken along line 2—2 of FIG. 1; and,
 FIG. 3 is a sectional elevational view thereof; taken along line 3—3 of FIG. 2.
 The broken line showing of ball is for illustrative purpose only and forms no part of the claim.

[56] **References Cited**

U.S. PATENT DOCUMENTS

D. 309,328 7/1990 Noshiro D21/12
 D. 312,665 12/1990 Fuller et al. D21/12
 D. 341,856 11/1993 Silverman D21/12
 D. 364,428 11/1995 Caron D21/12
 2,869,874 1/1959 Berdner 273/349 X

1 Claim, 2 Drawing Sheets



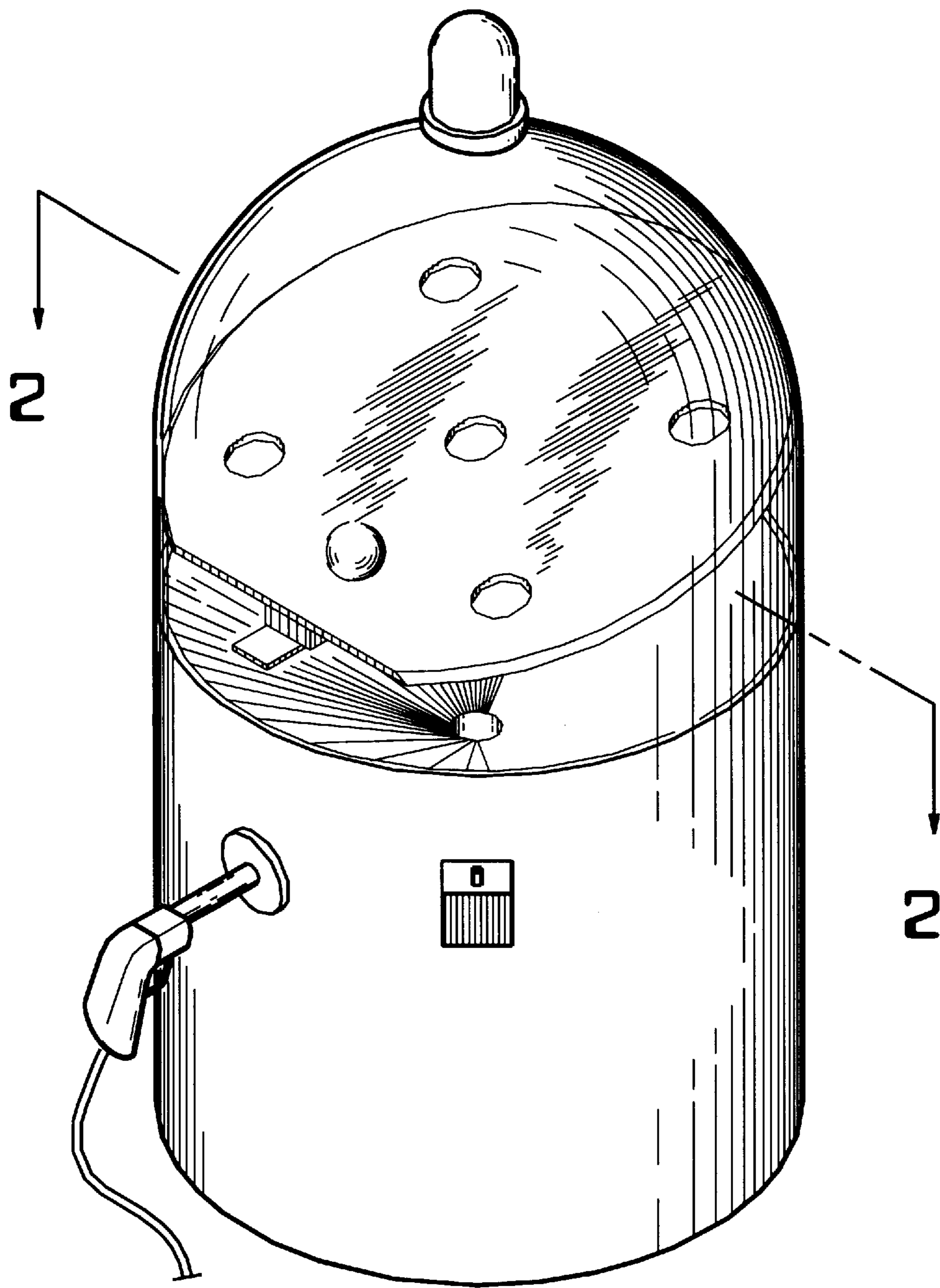


FIG. 1

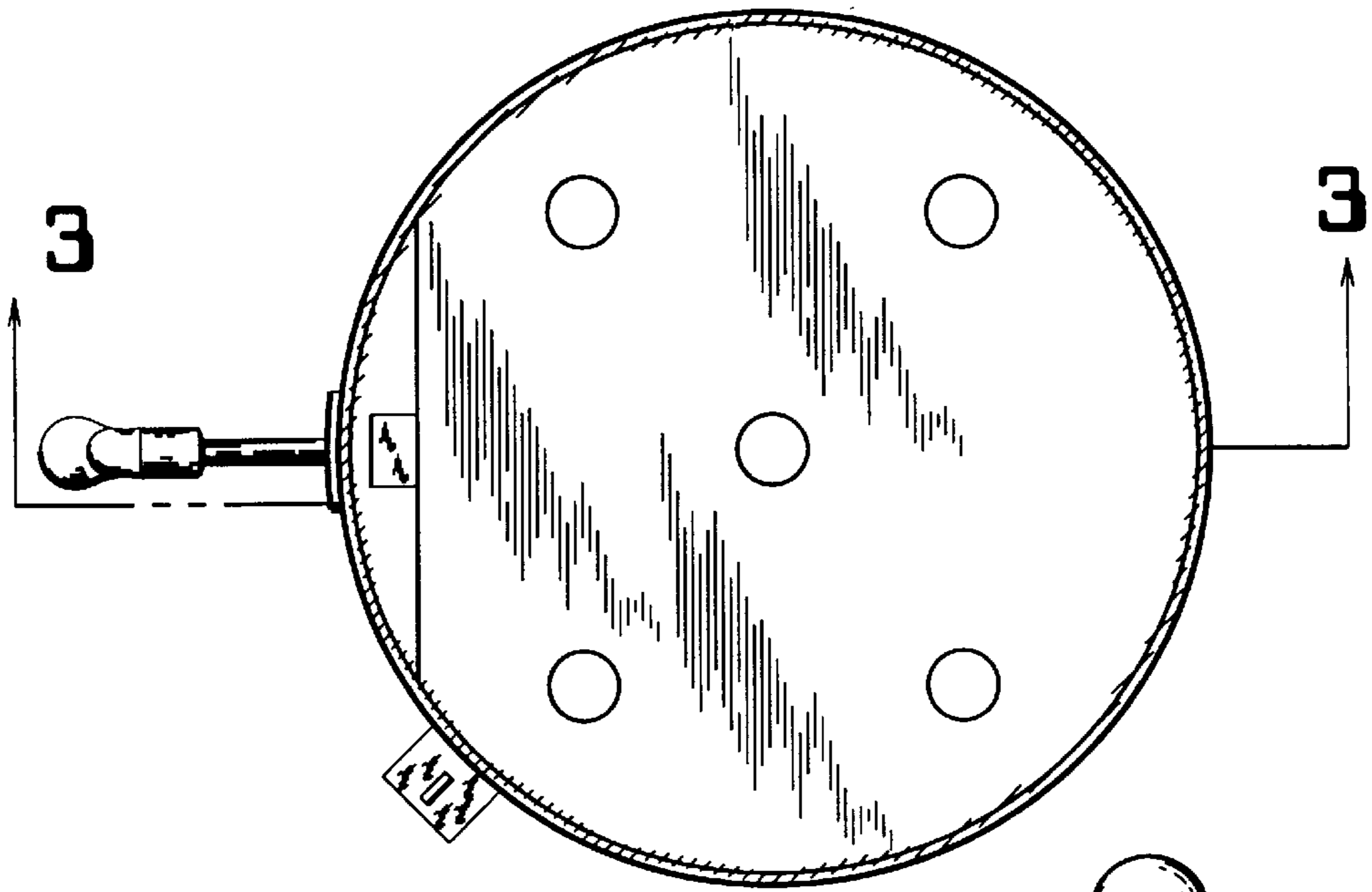


FIG. 2

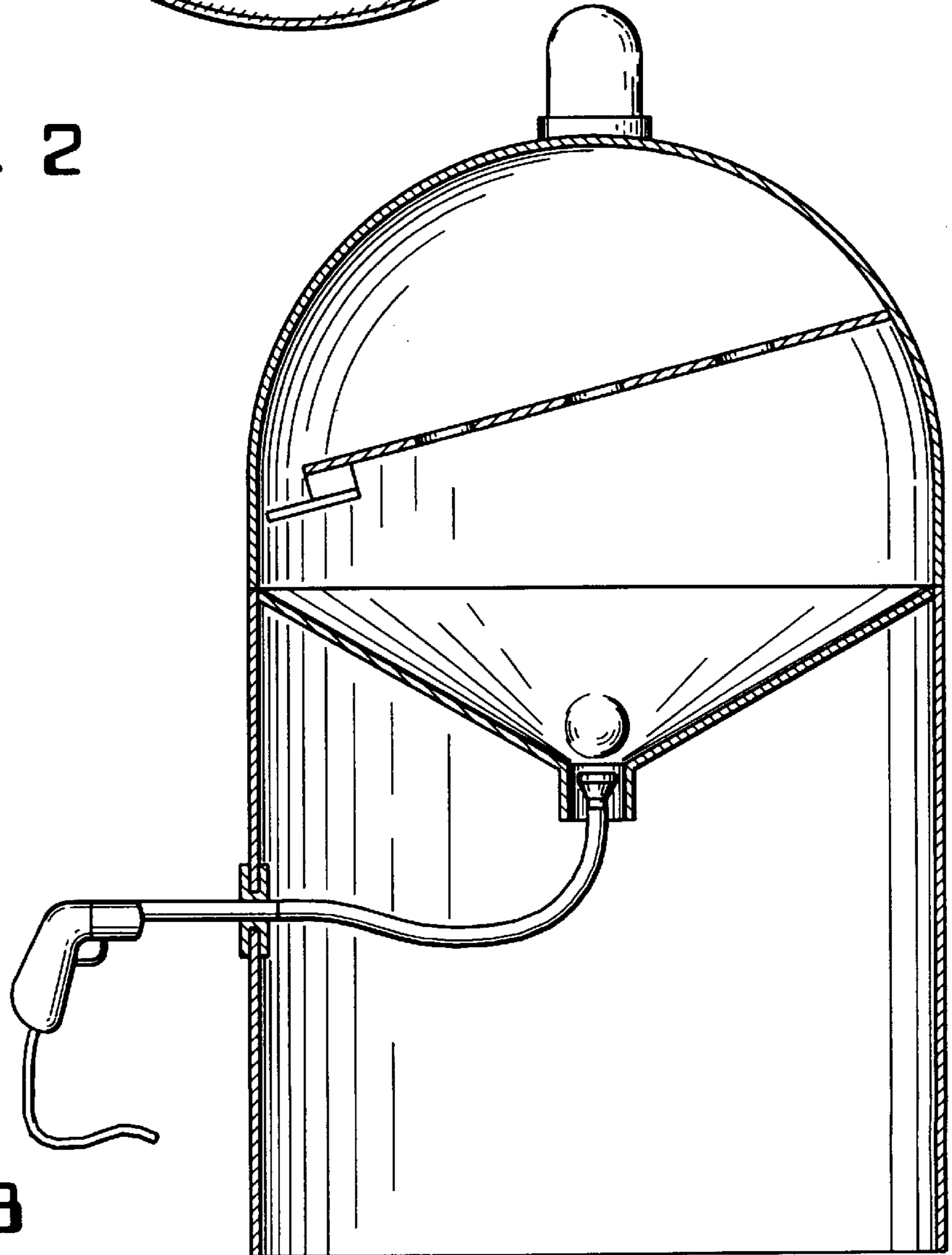


FIG. 3