



US00D399532S

United States Patent [19] Krattiger

[11] Patent Number: Des. 399,532

[45] Date of Patent: **Oct. 13, 1998

[54] DECORATION

[76] Inventor: **Kenneth L. Krattiger**, 2612 Methil Dr., Birchwood, Wis. 54817

[**] Term: **14 Years**

[21] Appl. No.: **81,321**

[22] Filed: **Dec. 30, 1997**

Related U.S. Application Data

[62] Division of Ser. No. 66,827, Feb. 25, 1997, Pat. No. Des. 392,327.

[51] **LOC (6) Cl.** **19-08**

[52] **U.S. Cl.** **D20/23; D20/29; D20/10**

[58] **Field of Search** 40/661, 661.01, 40/661.08, 661.09, 617, 124.07, 124.16, 124.191, 584; D20/10, 11, 19, 22, 23, 29, 38, 42; D11/141; 428/7, 29

[56] References Cited

U.S. PATENT DOCUMENTS

D. 392,327	3/1998	Krattiger	D20/23
3,774,328	11/1973	Tanney	40/661.09
4,167,073	9/1979	Tang	40/584 X
4,723,745	2/1988	Conway	.	

OTHER PUBLICATIONS

Fasteners For Retail, Inc., Cleveland, OH, (Undated), Two photocopy papers apparently showing an advertisement for a flexible display holder.

Ideaworks, LLC, (Undated), Two photocopy papers apparently showing an advertisement for the Wigglylits™ Theater. Penguin Books USA, Inc., New York, NY (Copyright Date 1997). One color photocopy containing two photographs of a Wigglylits™ Theater book.

Primary Examiner—Susan J. Lucas

Assistant Examiner—Jennifer Rivard

Attorney, Agent, or Firm—Skinner And Associates

[57] CLAIM

The ornamental design for a decoration, as shown and described.

DESCRIPTION

FIG. 1 is a perspective view of the decoration, showing the new design;

FIG. 2 is a front view thereof;

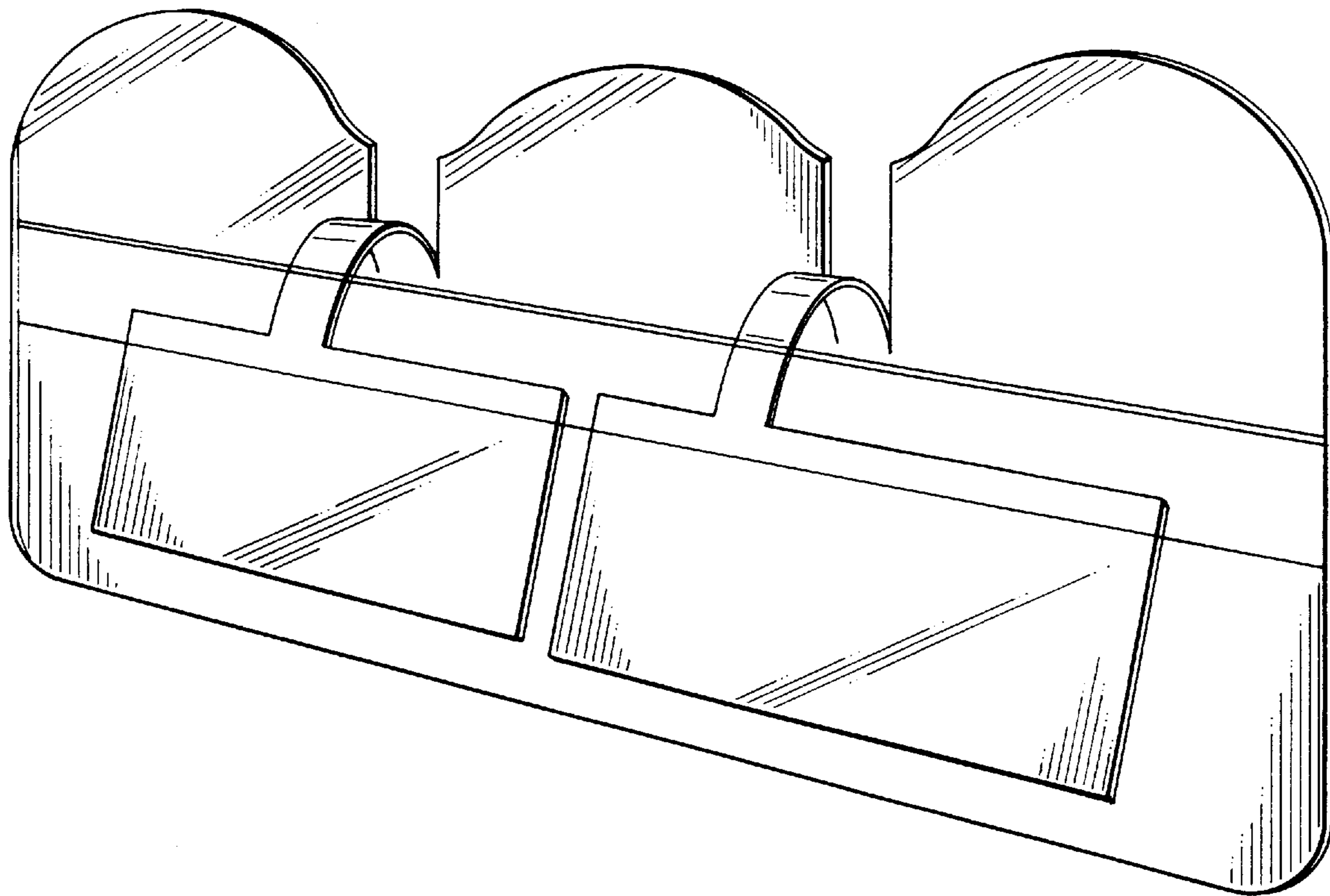
FIG. 3 is a top view thereof, the bottom being symmetrical;

FIG. 4 is a side view thereof;

FIG. 5 is an opposite side view thereof; and,

FIG. 6 is a back view thereof.

1 Claim, 2 Drawing Sheets



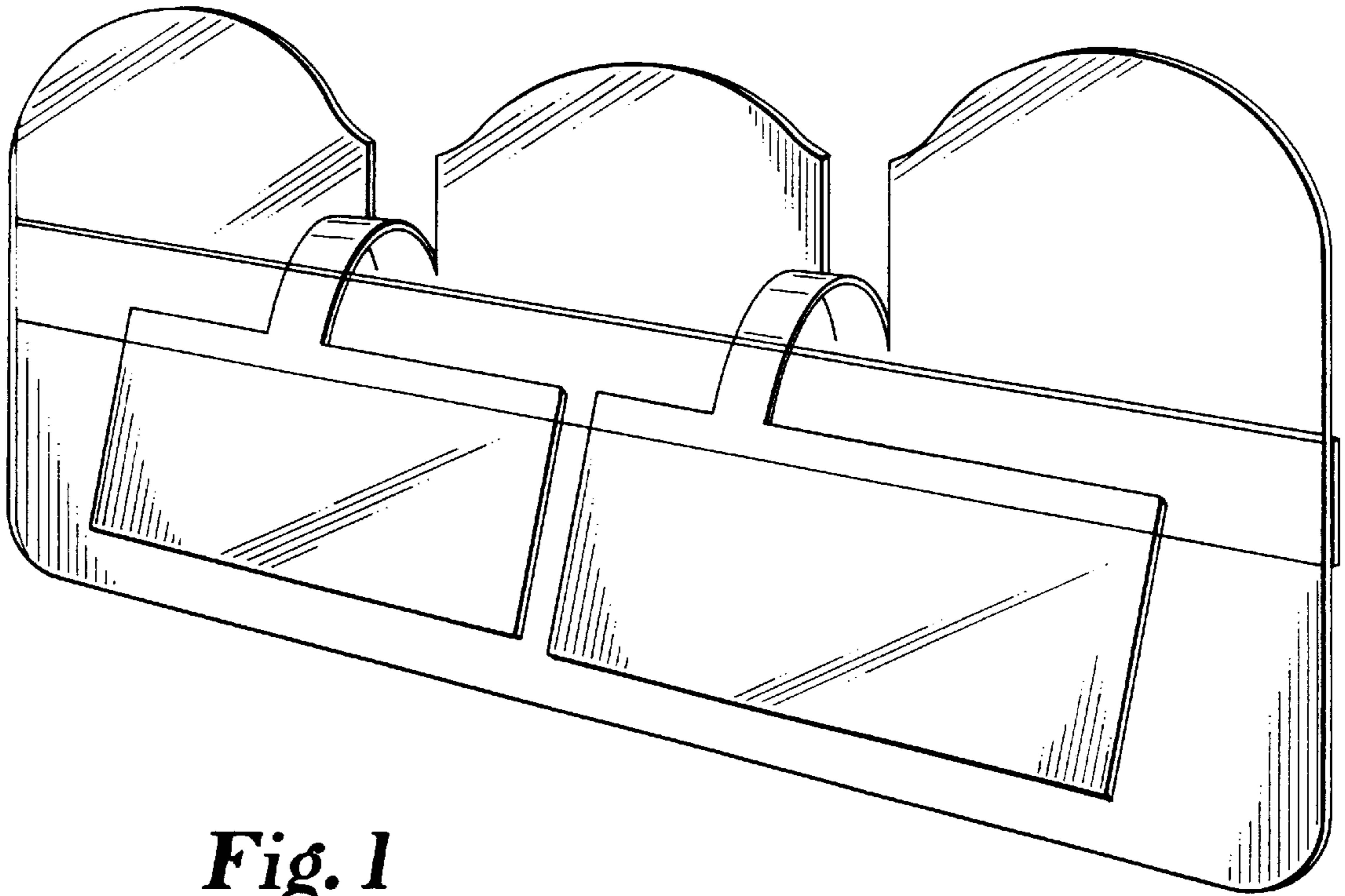


Fig. 1

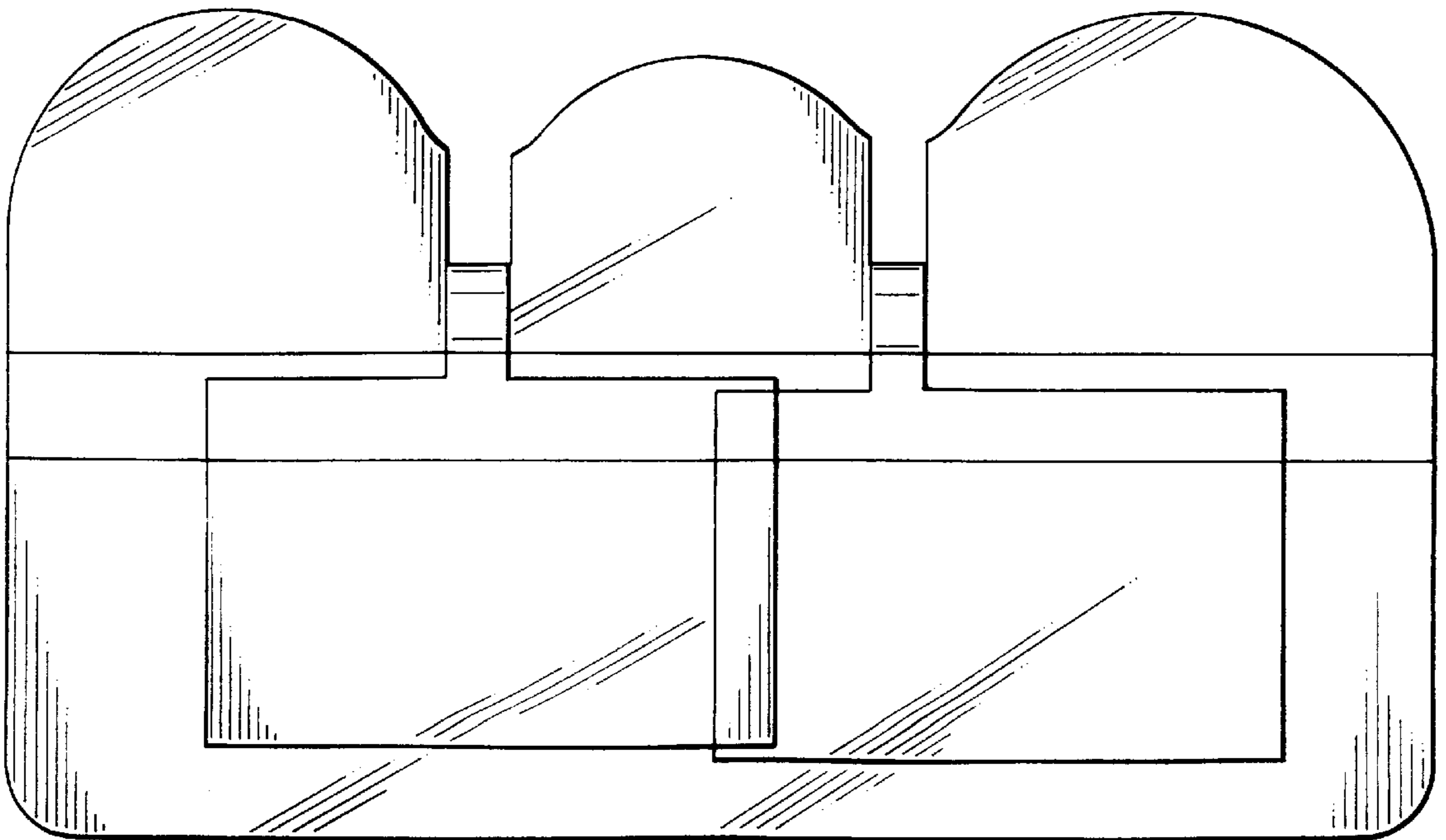


Fig. 2

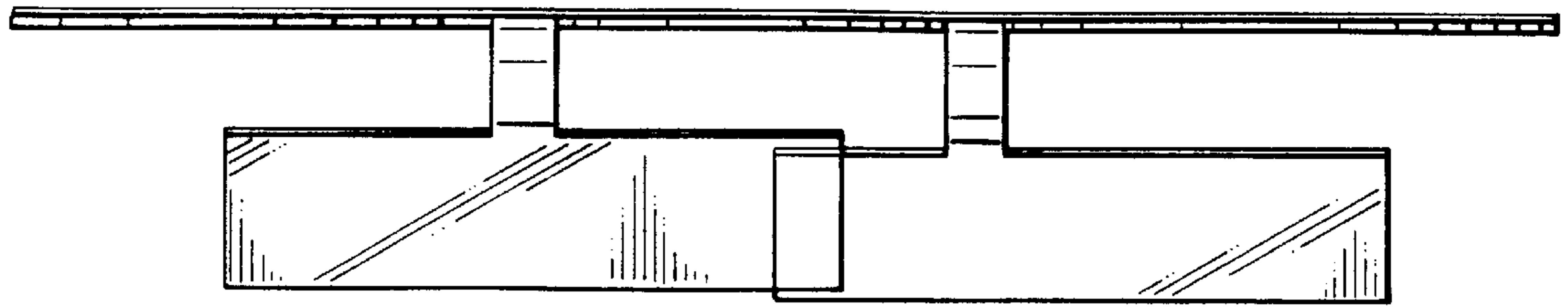


Fig. 3

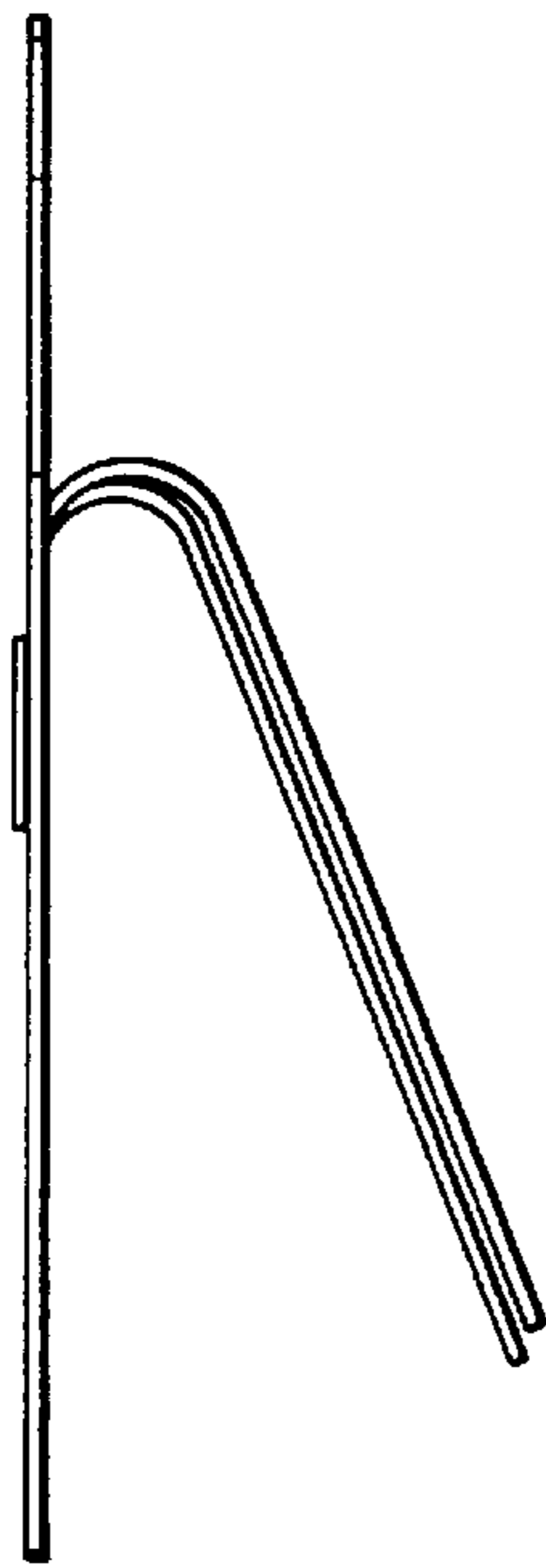


Fig. 4

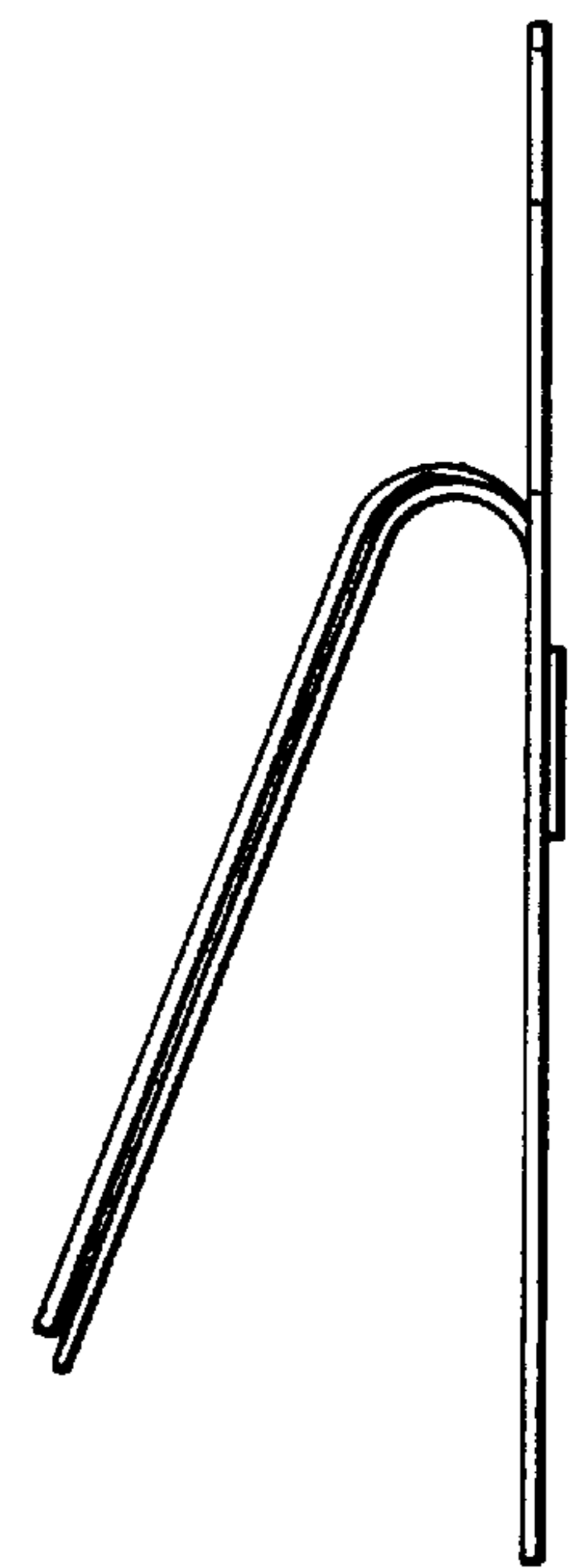


Fig. 5

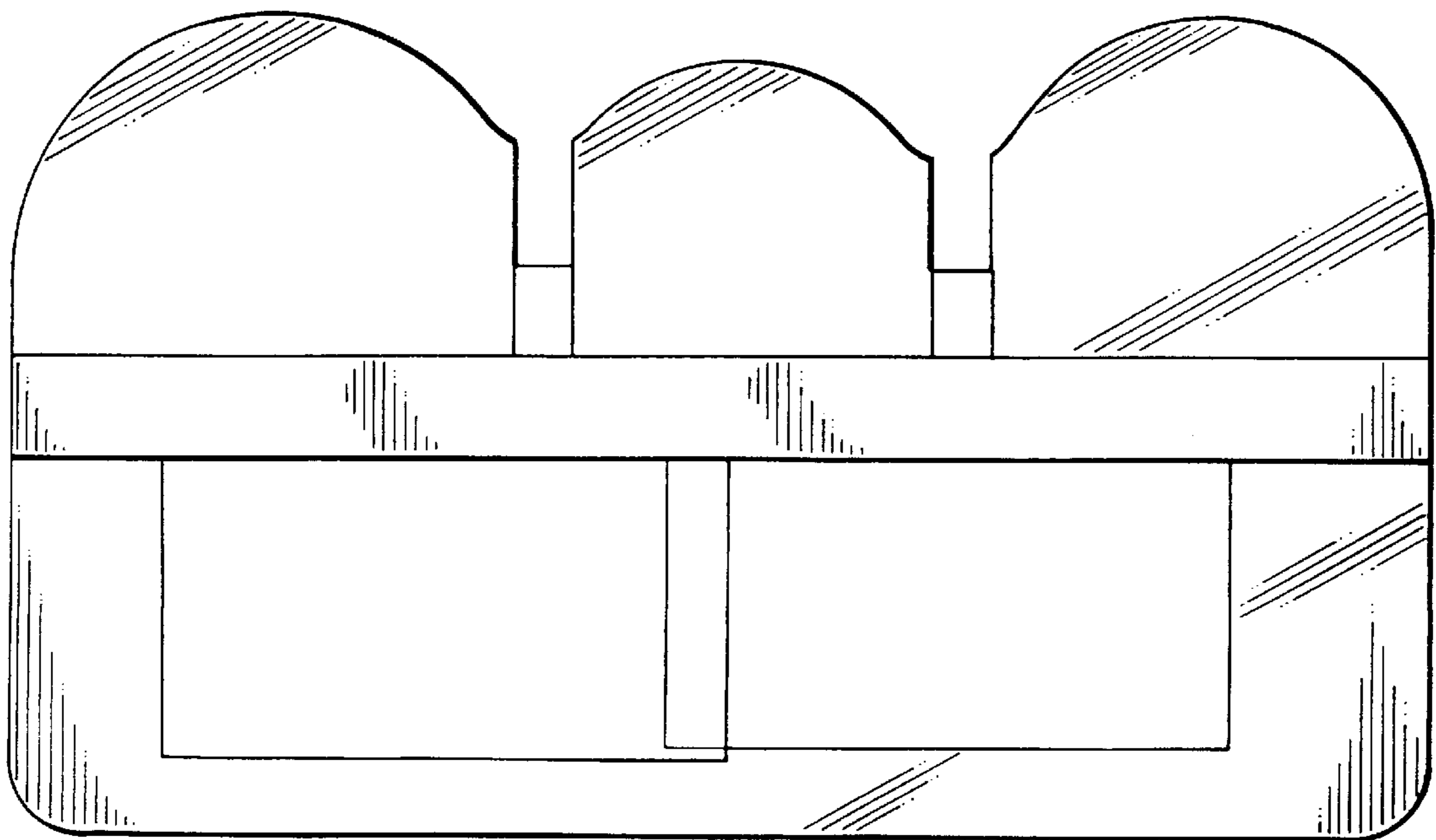


Fig. 6