



US00D399526S

# United States Patent [19] Brady

[11] **Patent Number: Des. 399,526**

[45] **Date of Patent: \*\*Oct. 13, 1998**

[54] **ELECTRONIC BOOK**

[76] Inventor: **Wilson C. Brady**, 7007 Southwind Dr., Hudson, Fla. 34667

[\*\*] Term: **14 Years**

[21] Appl. No.: **81,352**

[22] Filed: **Dec. 24, 1997**

[51] **LOC (6) Cl. .... 19-04**

[52] **U.S. Cl. .... D19/26; D14/100; D19/52; D19/35**

[58] **Field of Search .... D14/100, 106, D14/107, 114; D18/2; D19/26-32, 59, 60, 62, 64, 52, 35, 36; 434/201, 202, 335, 362, 178; 40/367, 544; 345/179; 178/18, 19**

[56] **References Cited**

**U.S. PATENT DOCUMENTS**

- D. 359,306 6/1995 Lande et al. .... D19/26
- D. 366,280 1/1996 Henderson .... D19/52
- D. 385,299 10/1997 Adams .... D19/26

- D. 386,521 11/1997 Eisenbaum ..... D14/100 X
- D. 391,987 3/1998 Jambhekar ..... D19/26
- 4,195,431 4/1980 Neufeld ..... 40/544

*Primary Examiner*—Martie K. Holtje

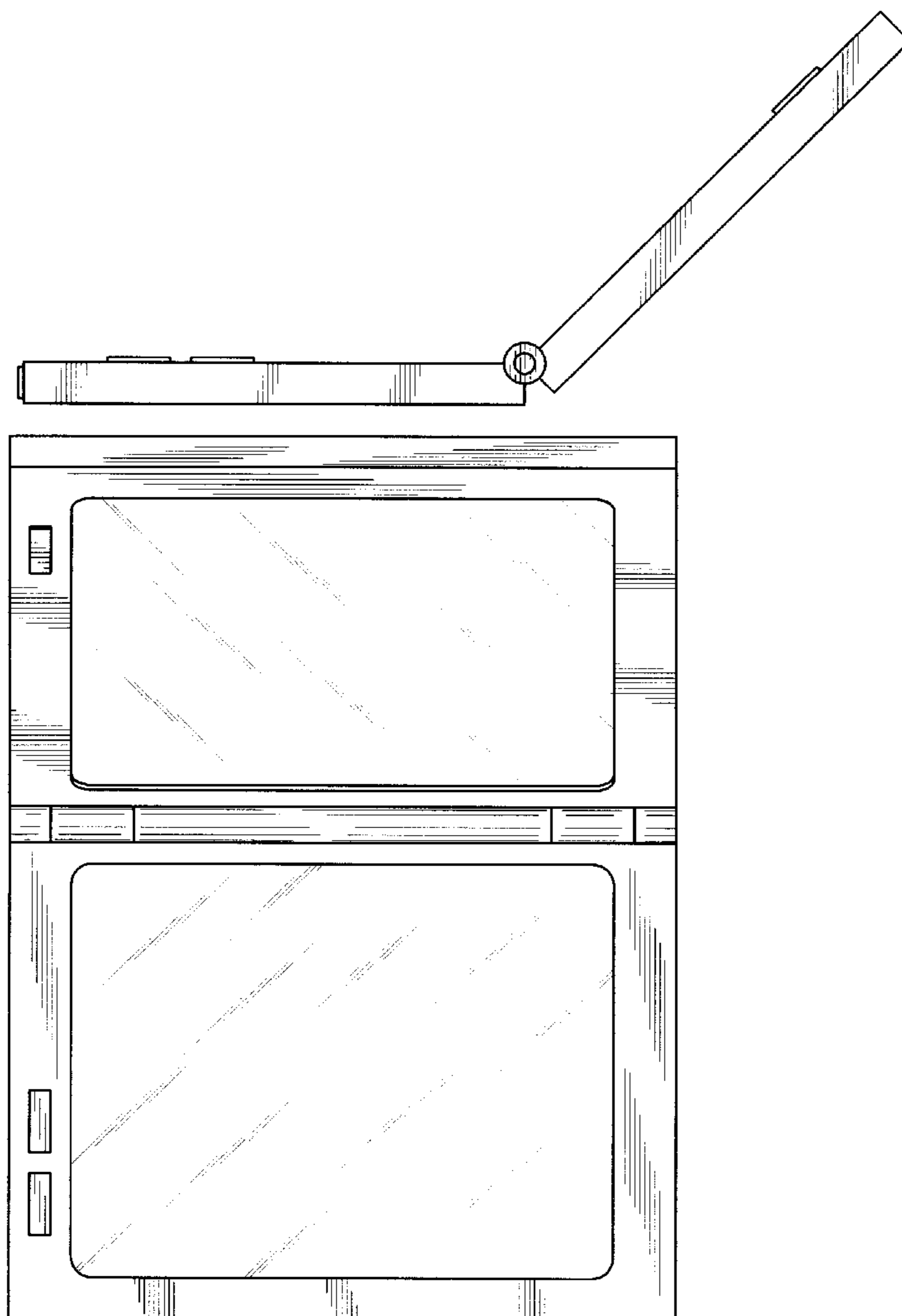
[57] **CLAIM**

The ornamental design for an electronic book, as shown.

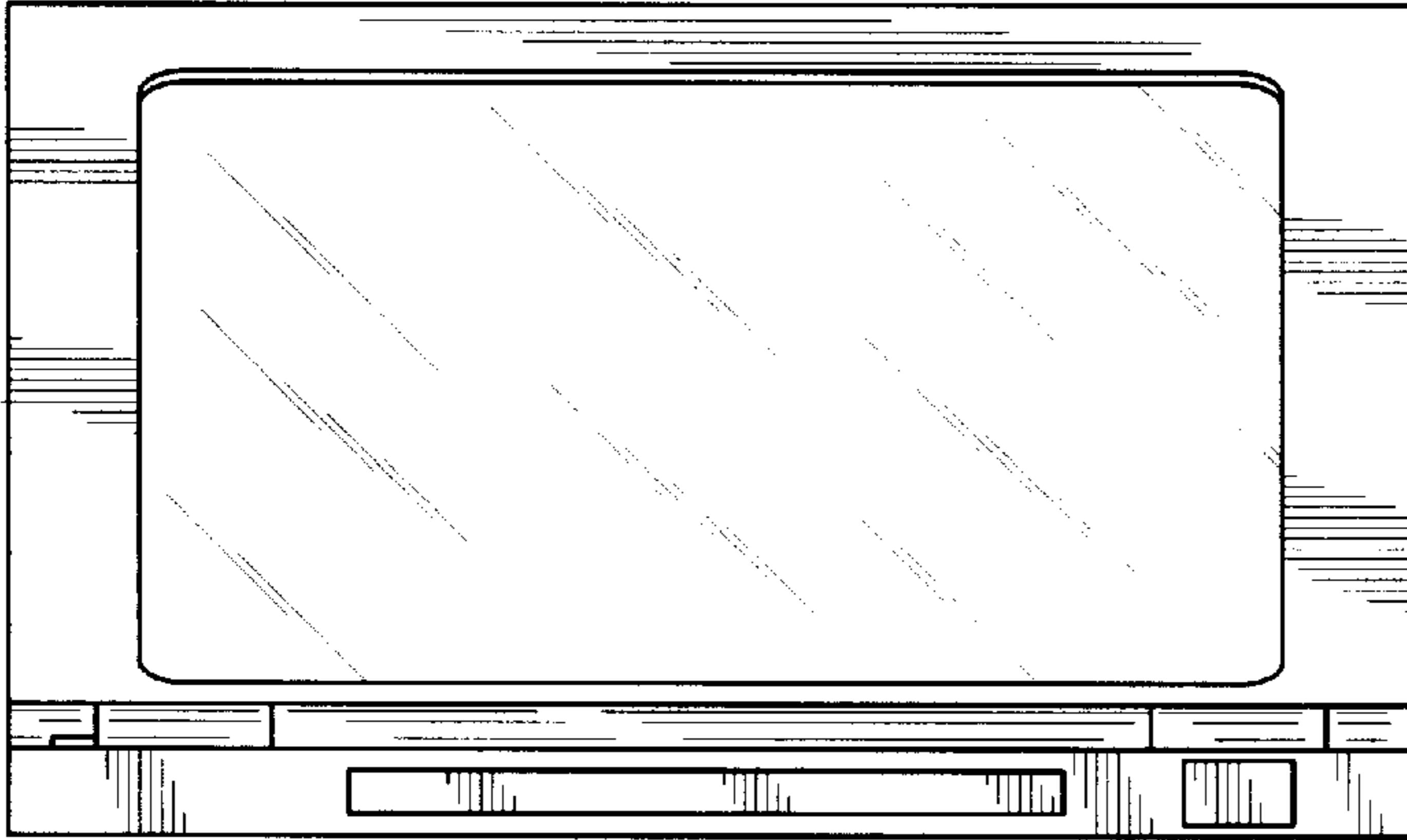
**DESCRIPTION**

FIG. 1 is a front elevational view of the electronic book of the present invention;  
 FIG. 2 is a rear elevational view of the electronic book of FIG. 1;  
 FIG. 3 is a left side elevational view of the electronic book of FIG. 1;  
 FIG. 4 is a right side elevational view of the electronic book of FIG. 1;  
 FIG. 5 is a top plan view of the electronic book of FIG. 1; and,  
 FIG. 6 is a bottom plan view of the electronic book of FIG. 1.

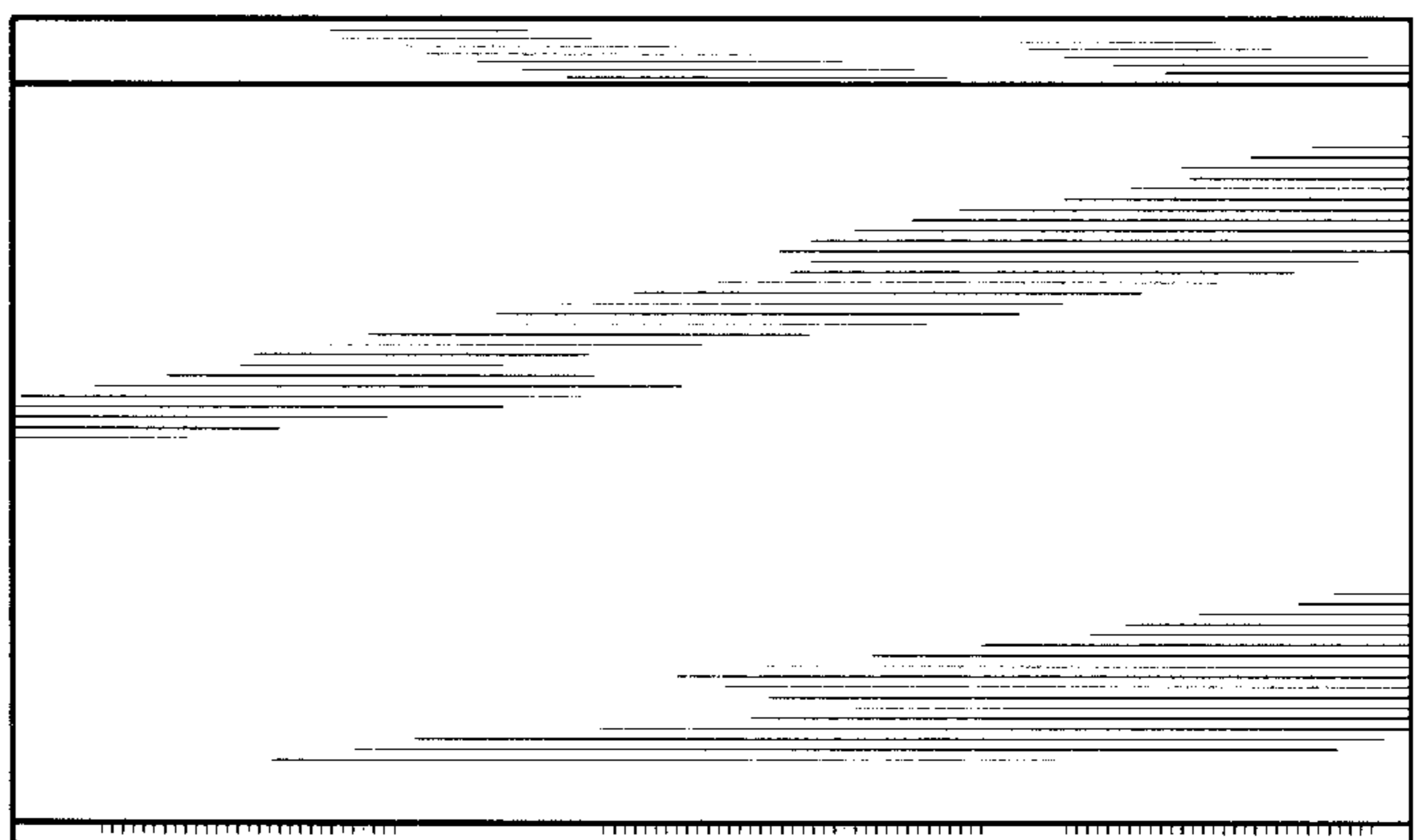
**1 Claim, 3 Drawing Sheets**



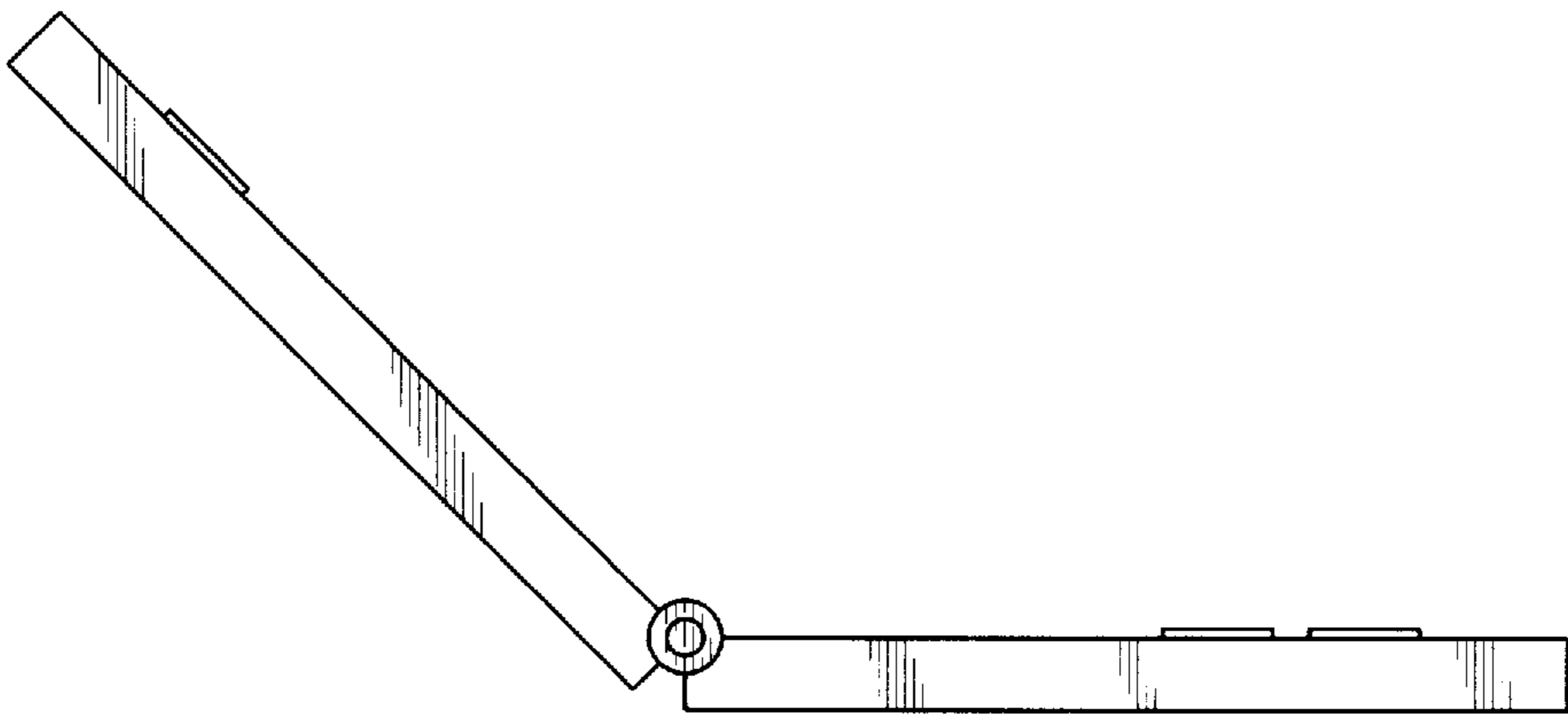
*FIG. 1*



*FIG. 2*



*FIG. 3*



*FIG. 4*

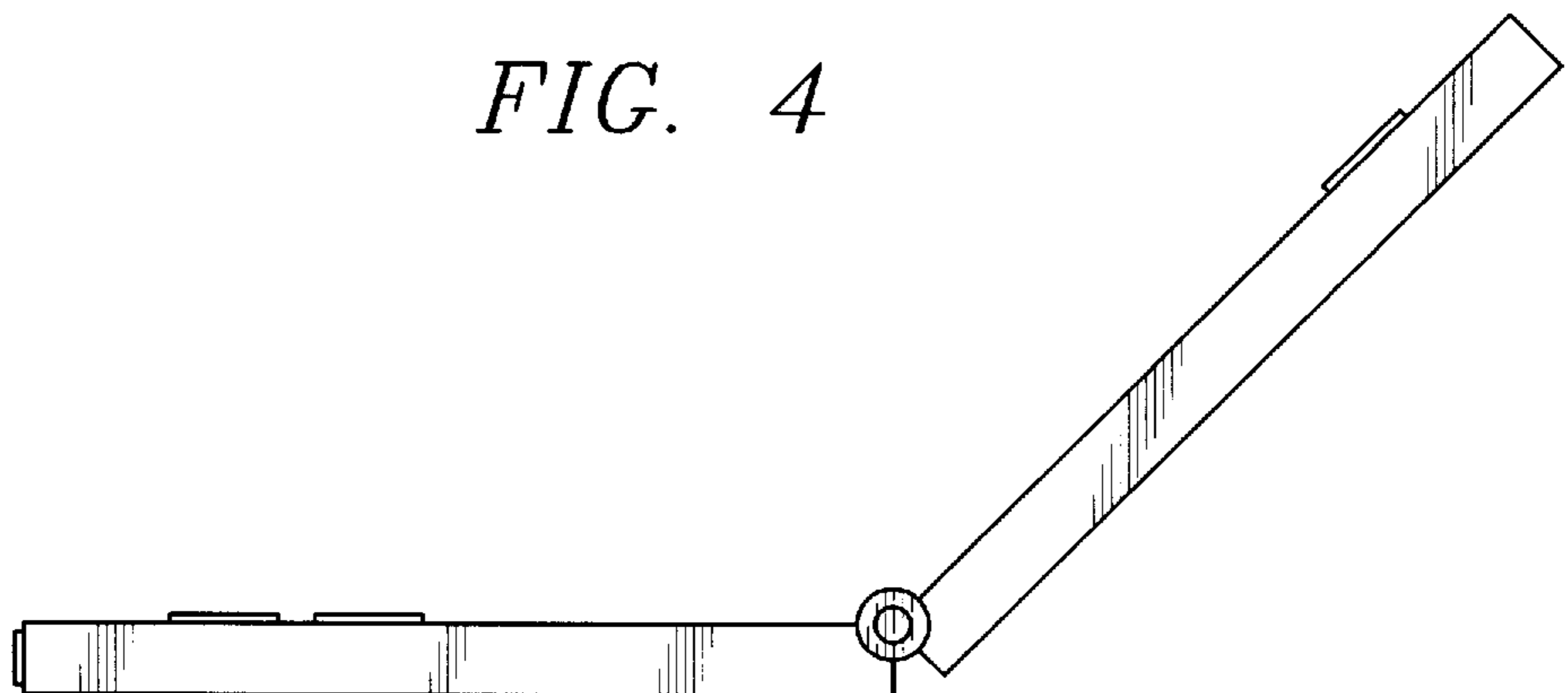


FIG. 5

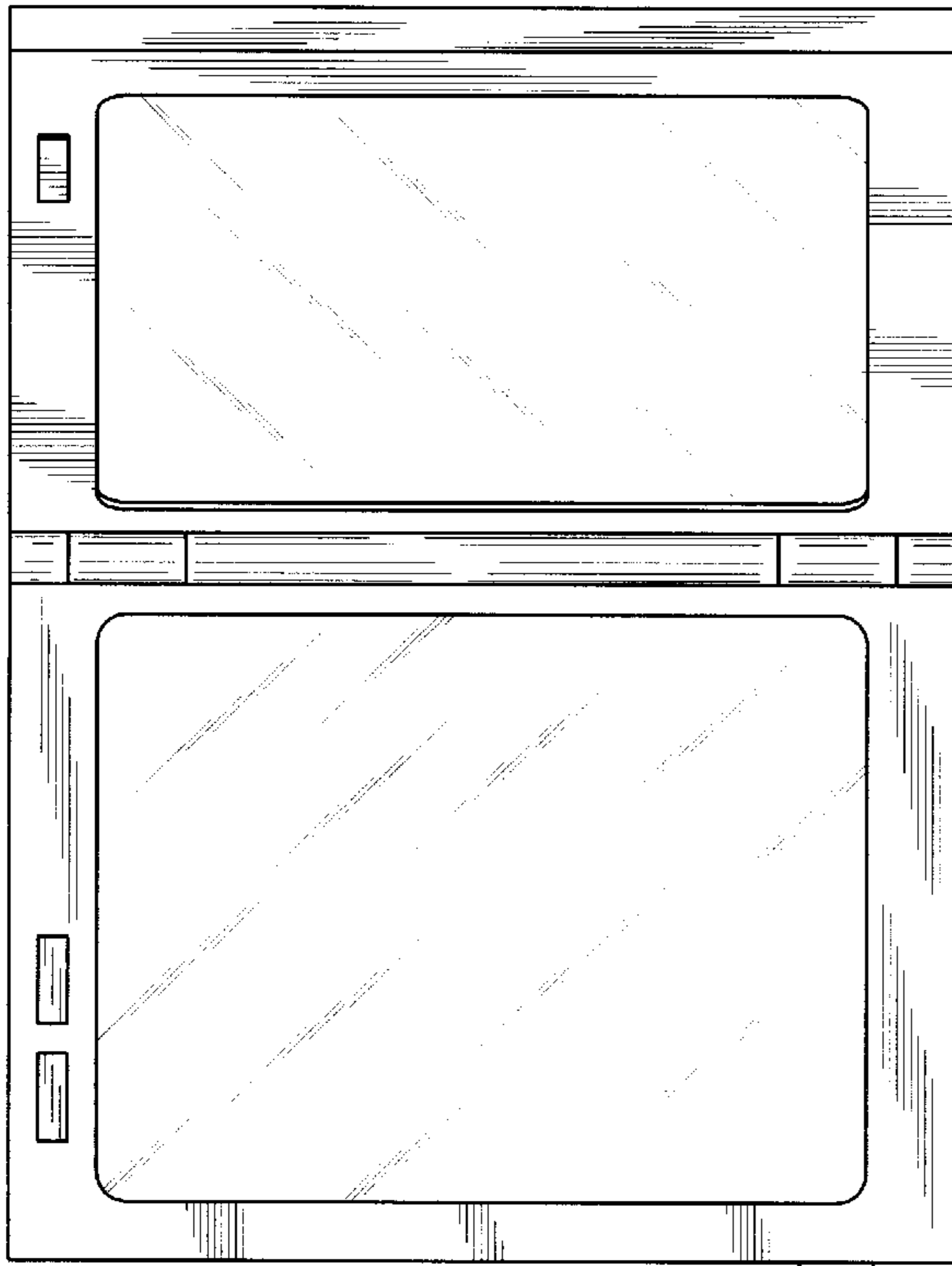


FIG. 6

