



US00D399525S

United States Patent [19] Parker

[11] Patent Number: **Des. 399,525**

[45] Date of Patent: ****Oct. 13, 1998**

[54] **BINDER COVER**

[76] Inventor: **R. Denson Parker**, 1 Looseleaf La.,
Vincent, Ala. 35178

[**] Term: **14 Years**

[21] Appl. No.: **80,930**

[22] Filed: **Dec. 19, 1997**

[51] **LOC (6) Cl.** **19-04**

[52] **U.S. Cl.** **D19/26; D19/27**

[58] **Field of Search** D19/26, 27, 28,
D19/32, 86, 65, 100; D3/243, 303, 900;
402/75, 73, 74, 78; 281/15.1, 16, 21.1,
28, 29, 32, 33, 45, 46; 291/138

[56] **References Cited**

U.S. PATENT DOCUMENTS

273,886	3/1883	Pester	281/16
D. 328,096	7/1992	Gordon	D19/26
D. 340,070	10/1993	Tan	D19/26
D. 344,096	2/1994	Tan	D19/26
3,189,369	6/1965	Walker, Jr.	281/33
3,837,680	9/1974	Cimini	.
4,515,493	5/1985	Radovich	.
4,620,725	11/1986	Maehashi	281/45
4,934,738	6/1990	Colonna	281/28
4,943,177	7/1990	Jordan et al.	.
5,174,674	12/1992	Norwood	402/73
5,215,398	6/1993	White et al.	.
5,674,021	10/1997	Hutnik	.
5,683,111	11/1997	Bass et al.	28/21.1

Primary Examiner—Martie K. Holtje

[57] **CLAIM**

The ornamental design for the binder cover, as shown and described.

DESCRIPTION

FIG. 1 is a front perspective view of a binder cover showing my new design;
 FIG. 2 is a rear perspective view thereof;
 FIG. 3 is side elevational view thereof;
 FIG. 4 is a side elevational view of the side opposite that shown in FIG. 3;
 FIG. 5 is a top plan view thereof;
 FIG. 6 is a bottom view thereof;
 FIG. 7 is a front elevational view thereof;
 FIG. 8 is a rear elevational view thereof;
 FIG. 9 is a perspective view of the binder cover shown in an open position;
 FIG. 10 is a perspective view of the side opposite that shown in FIG. 9;
 FIG. 11 is a perspective view of the binder cover shown configured as a reading support;
 FIG. 12 is a perspective view of an alternate embodiment shown in an open position; and,
 FIG. 13 is a perspective view of the side opposite that shown in FIG. 12.

The ring binder, fastener structure and sheet of paper depicted by means of broken lines in FIGS. 9 through 13 have been shown for illustrative purposes only and form no part of the claimed design.

1 Claim, 5 Drawing Sheets

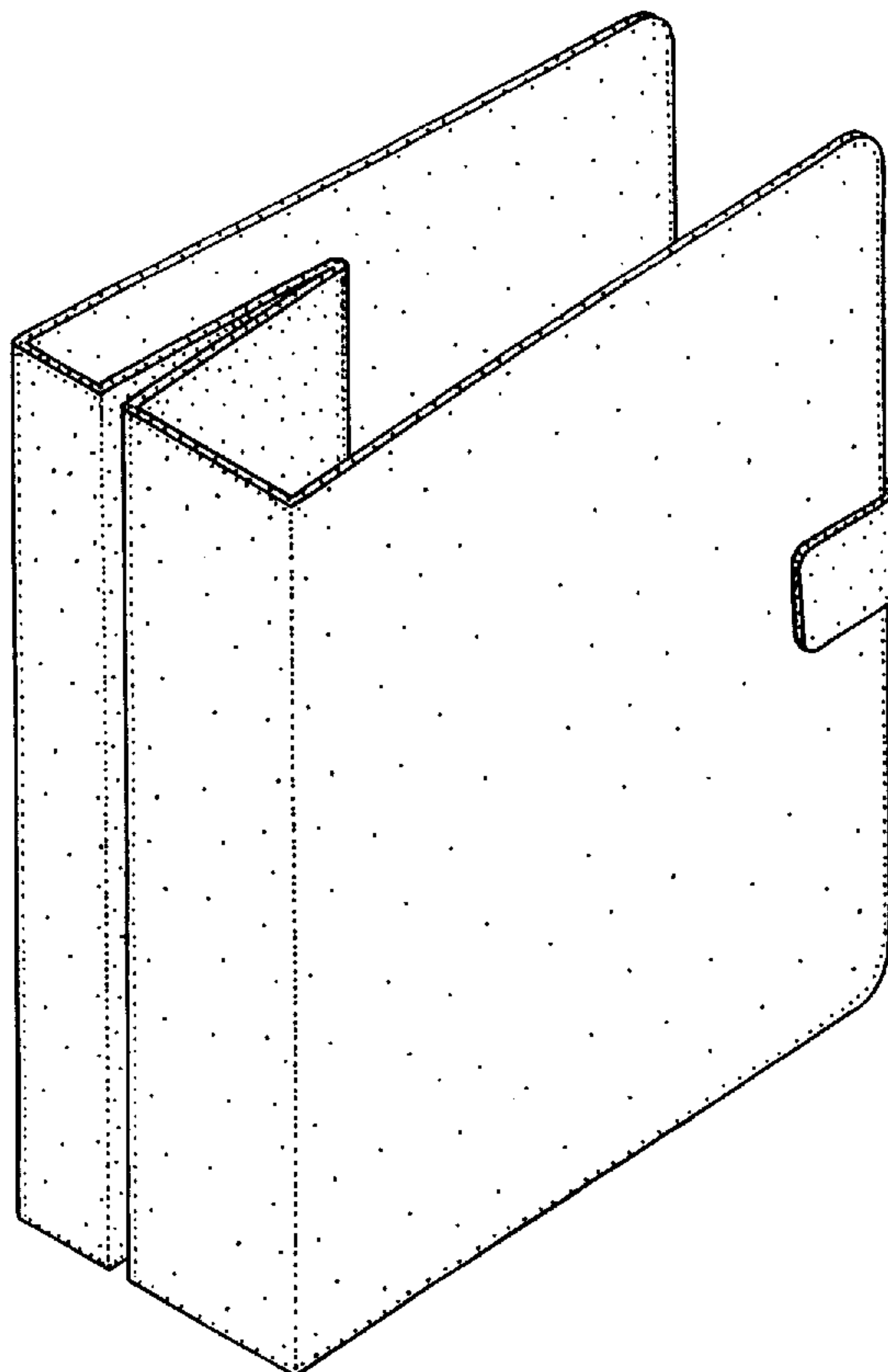


FIG. 1

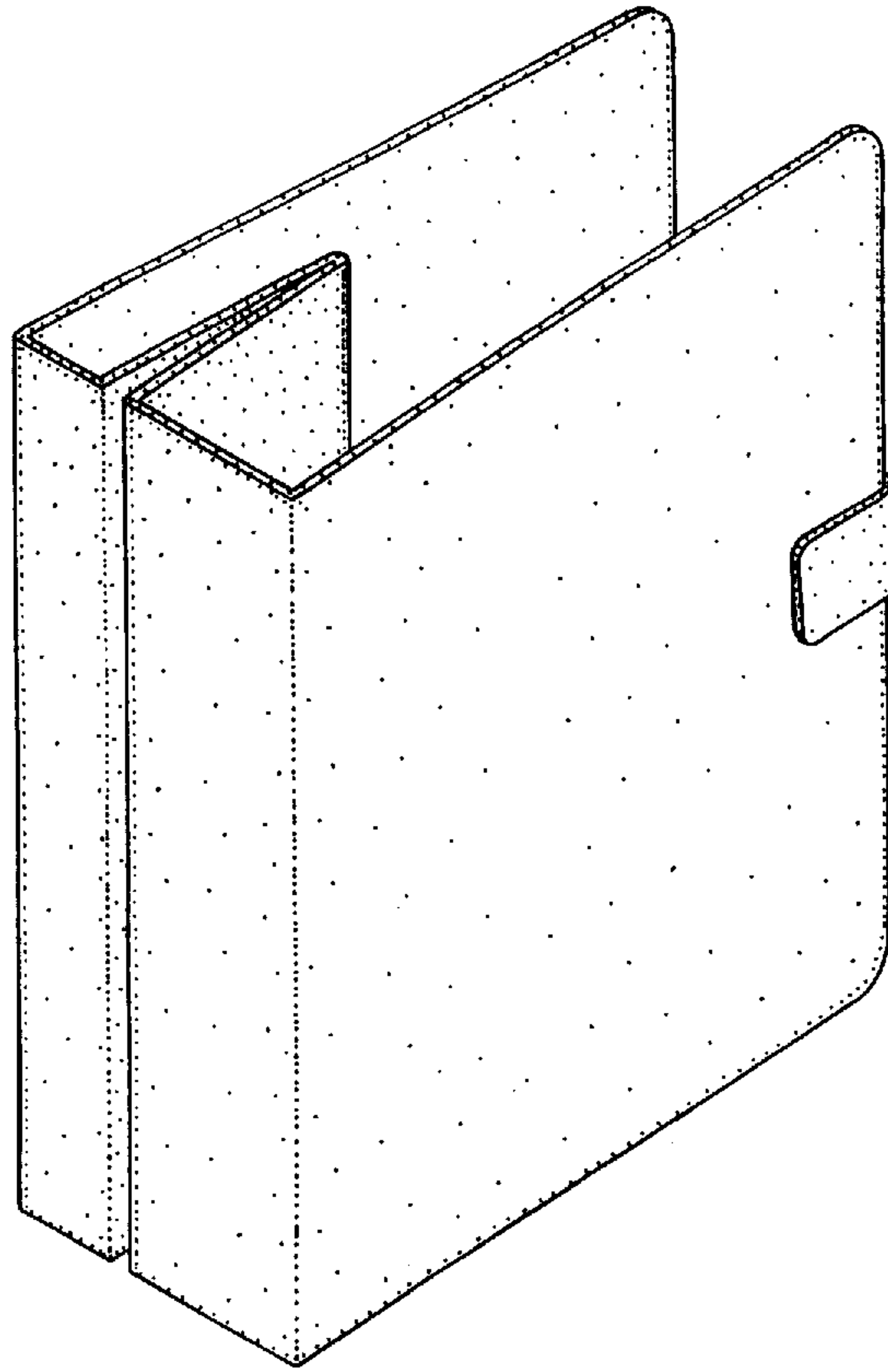


FIG. 2

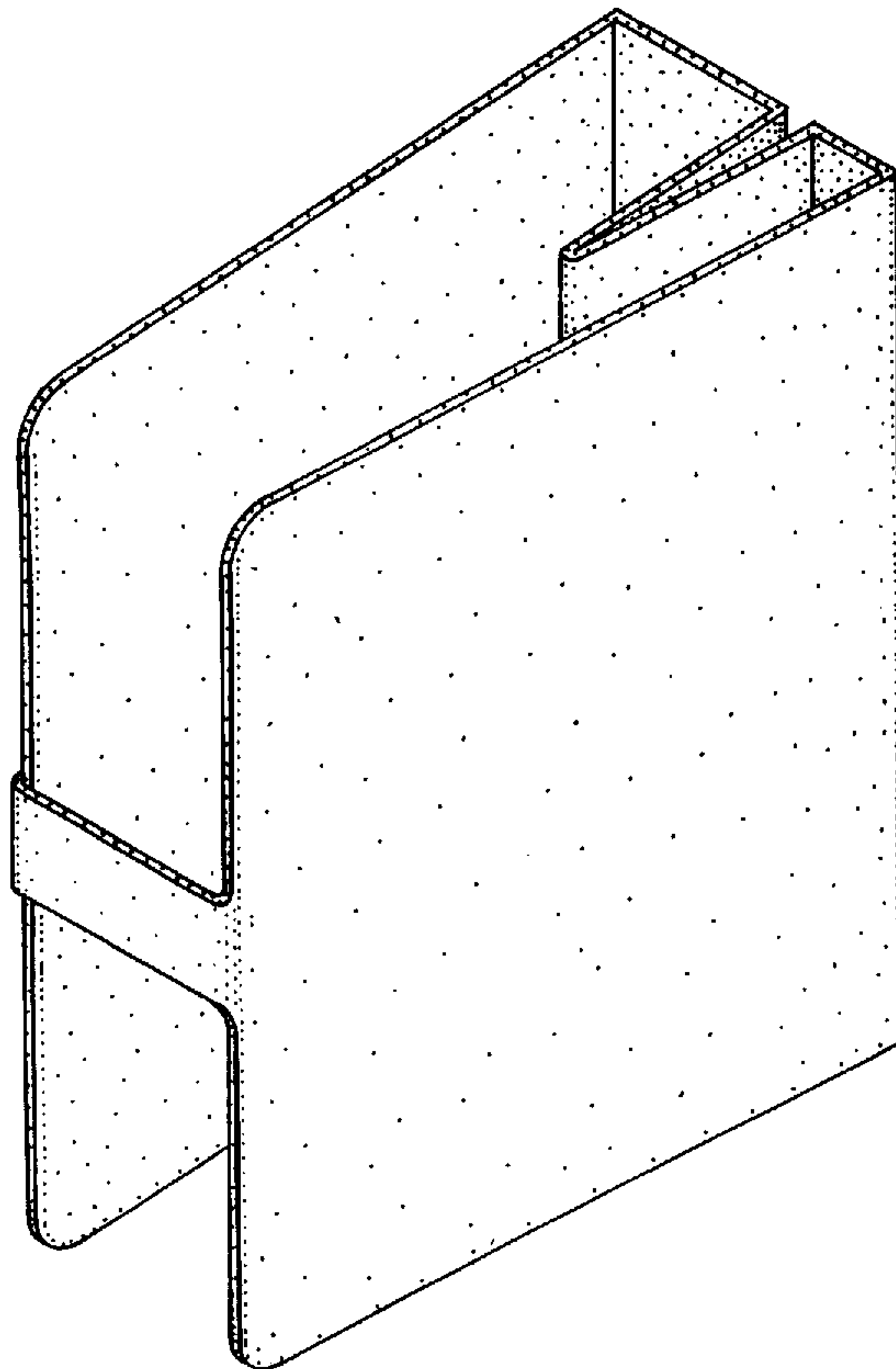


FIG. 3

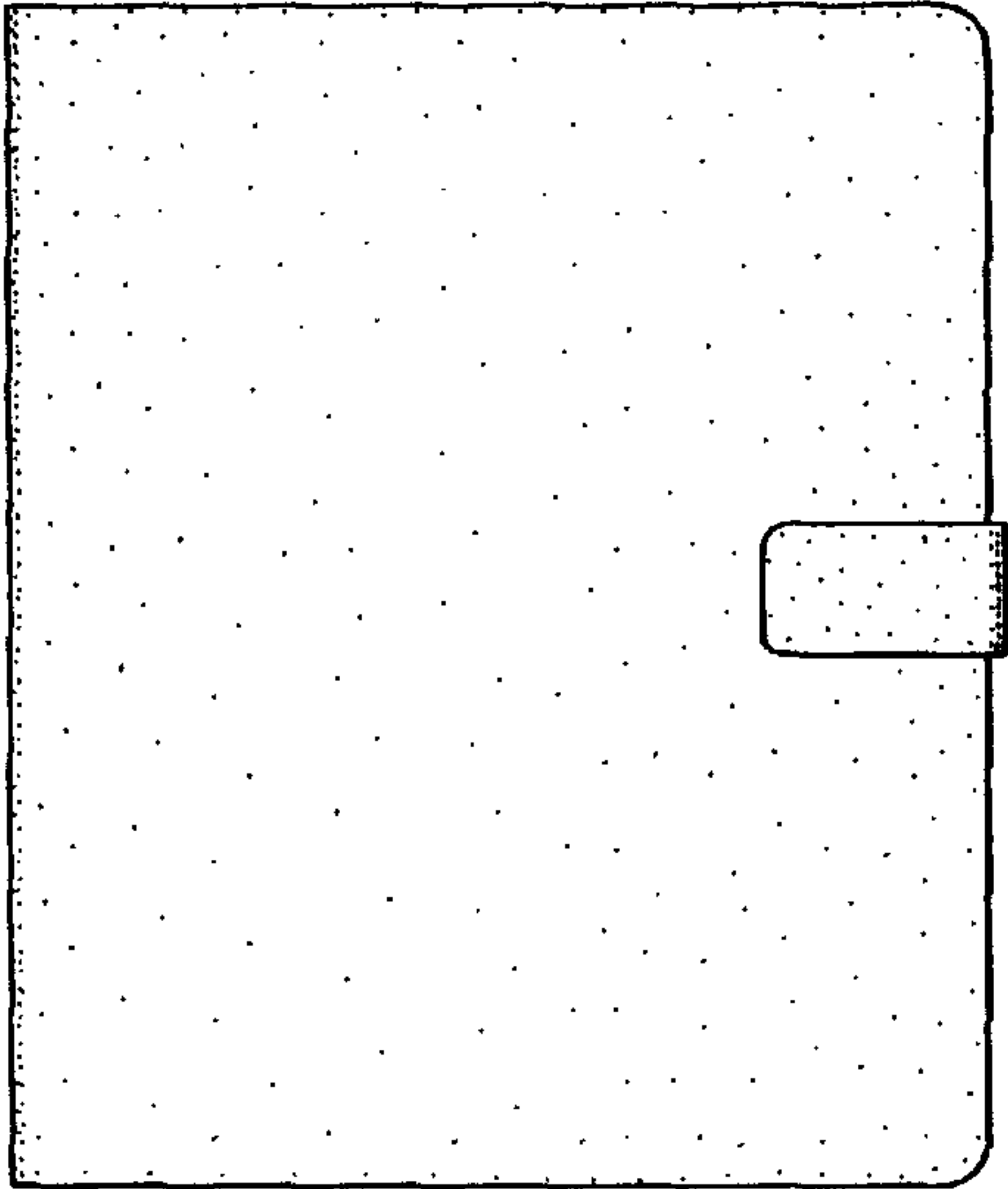


FIG. 4

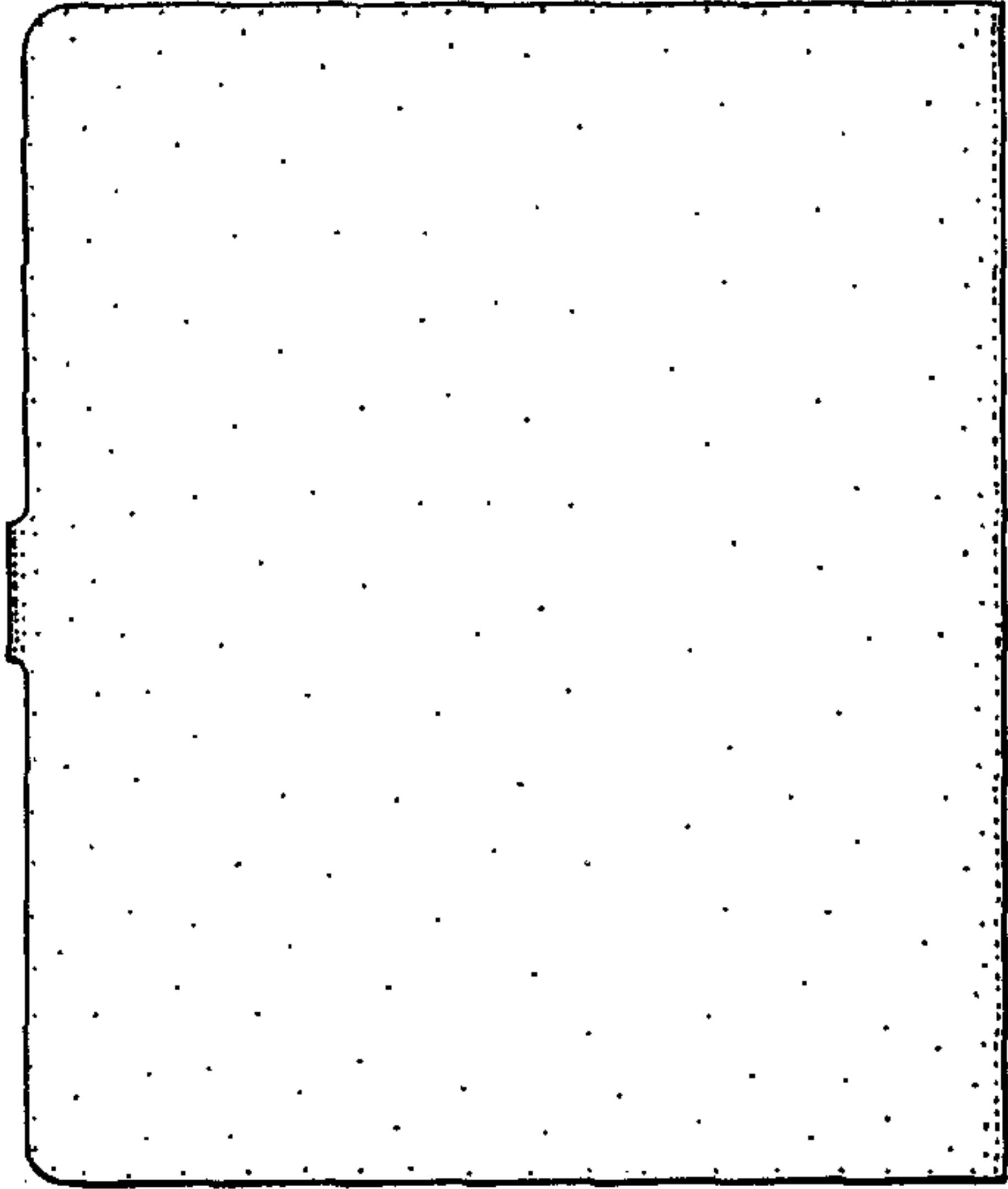


FIG. 5

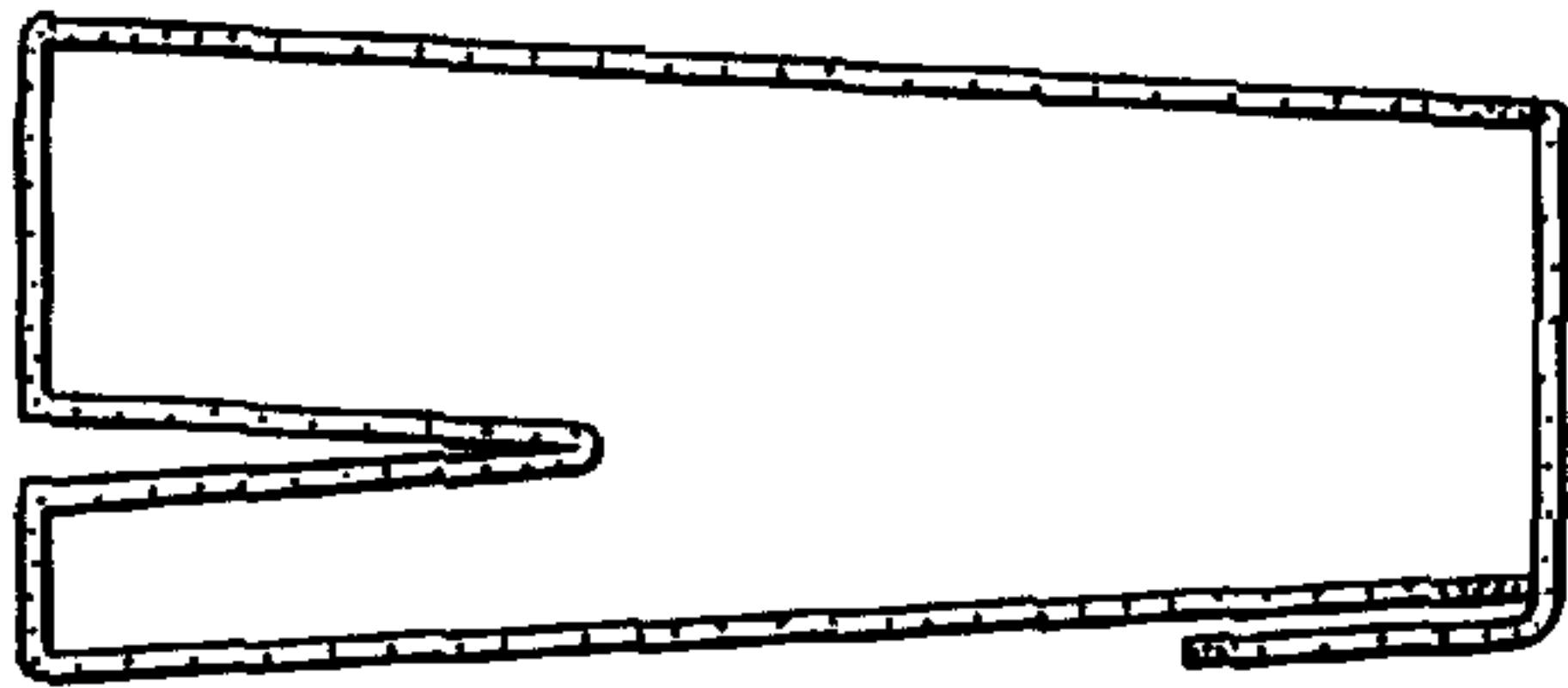


FIG. 6

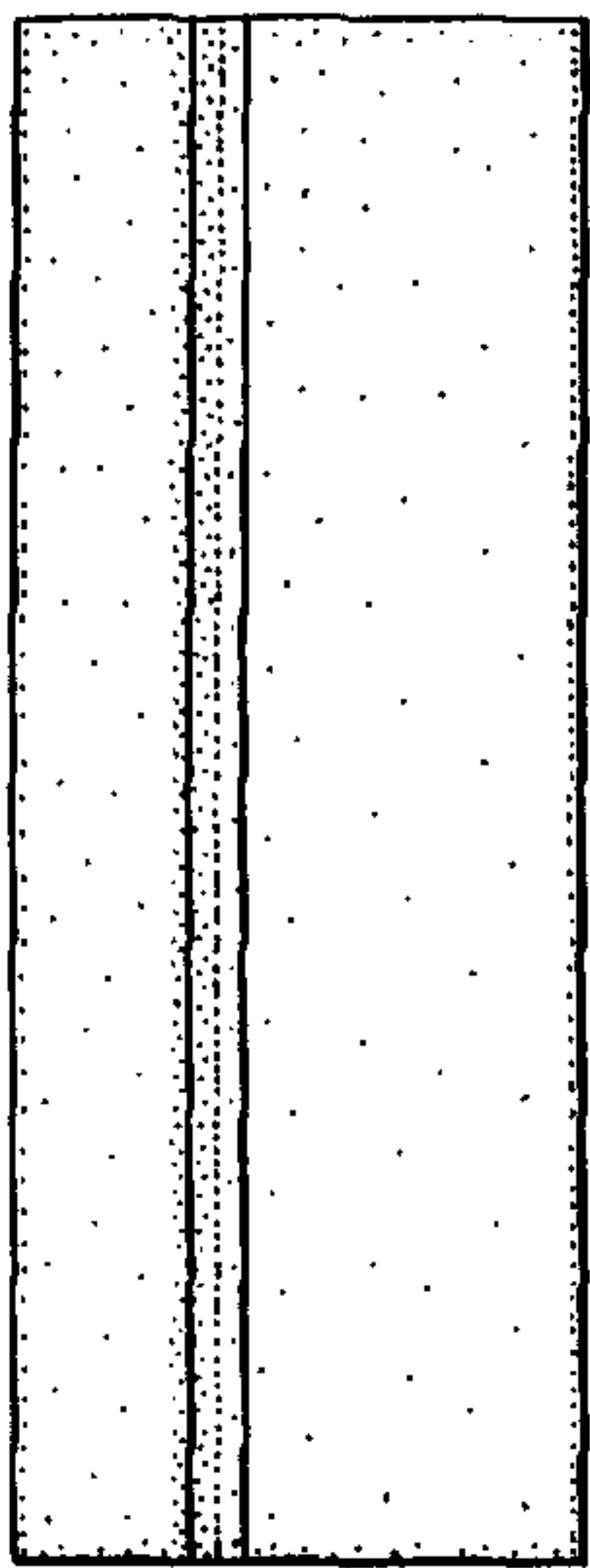
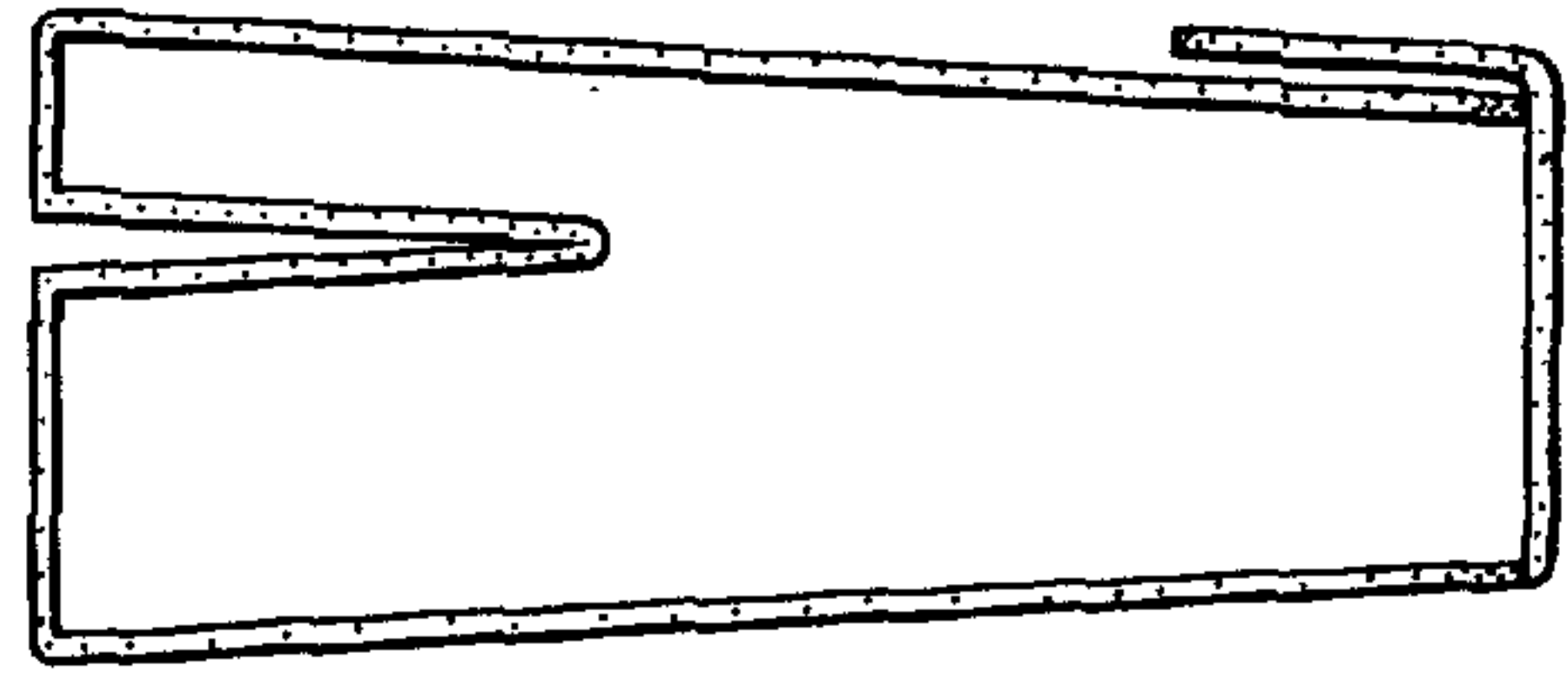


FIG. 7

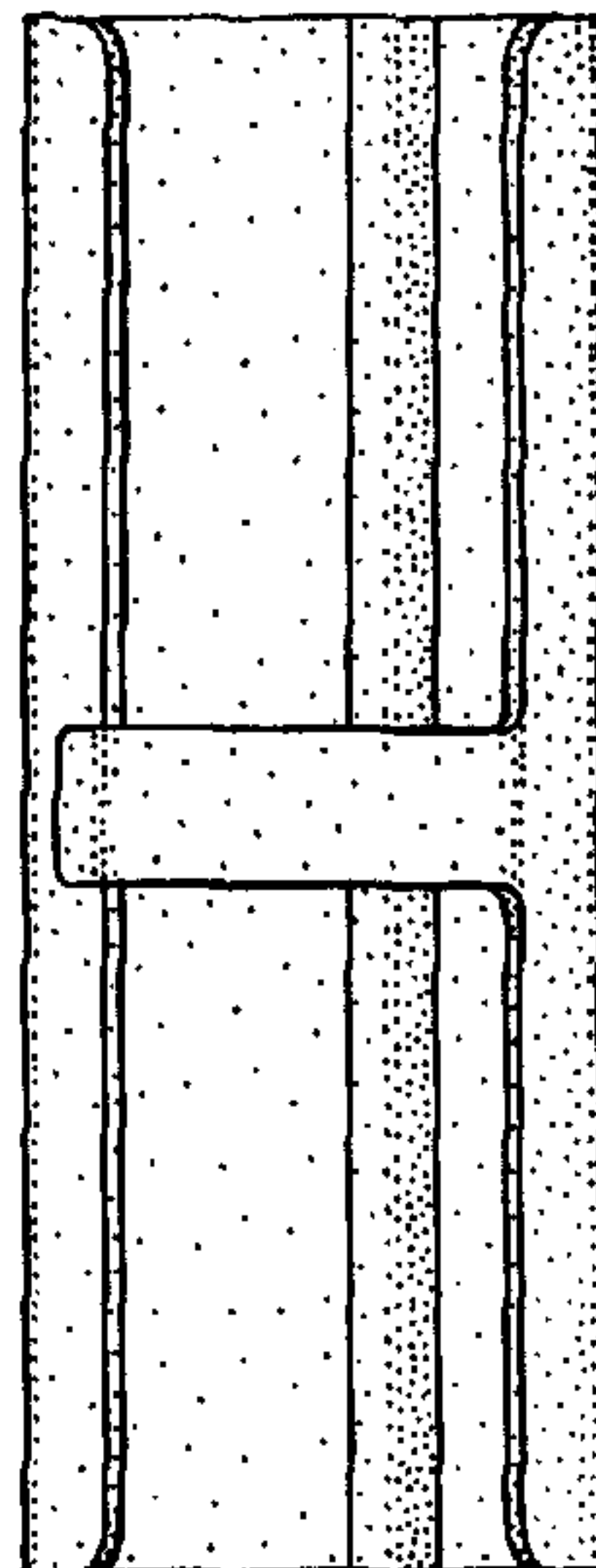


FIG. 8

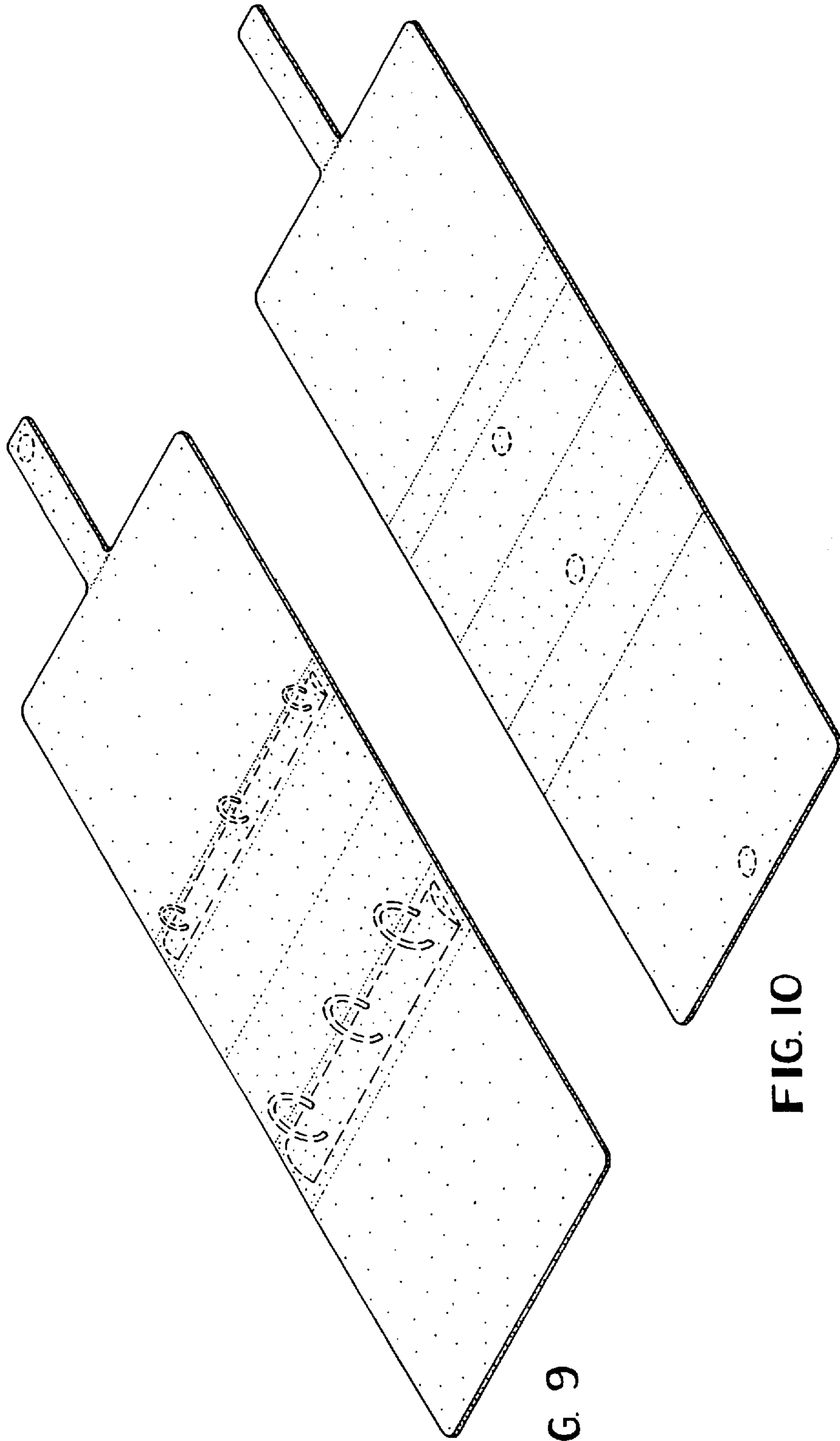


FIG. 9

FIG. 10

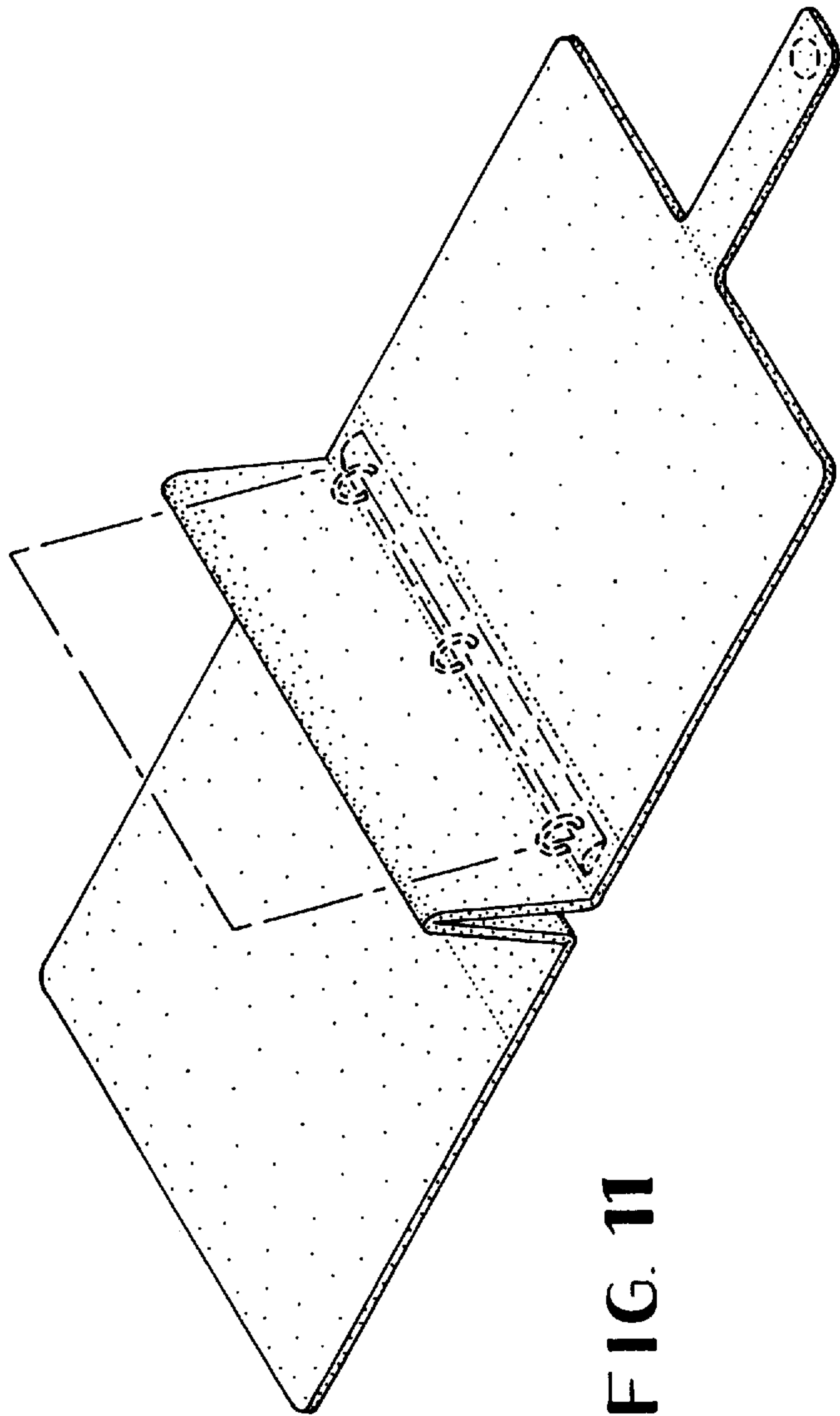


FIG. 11

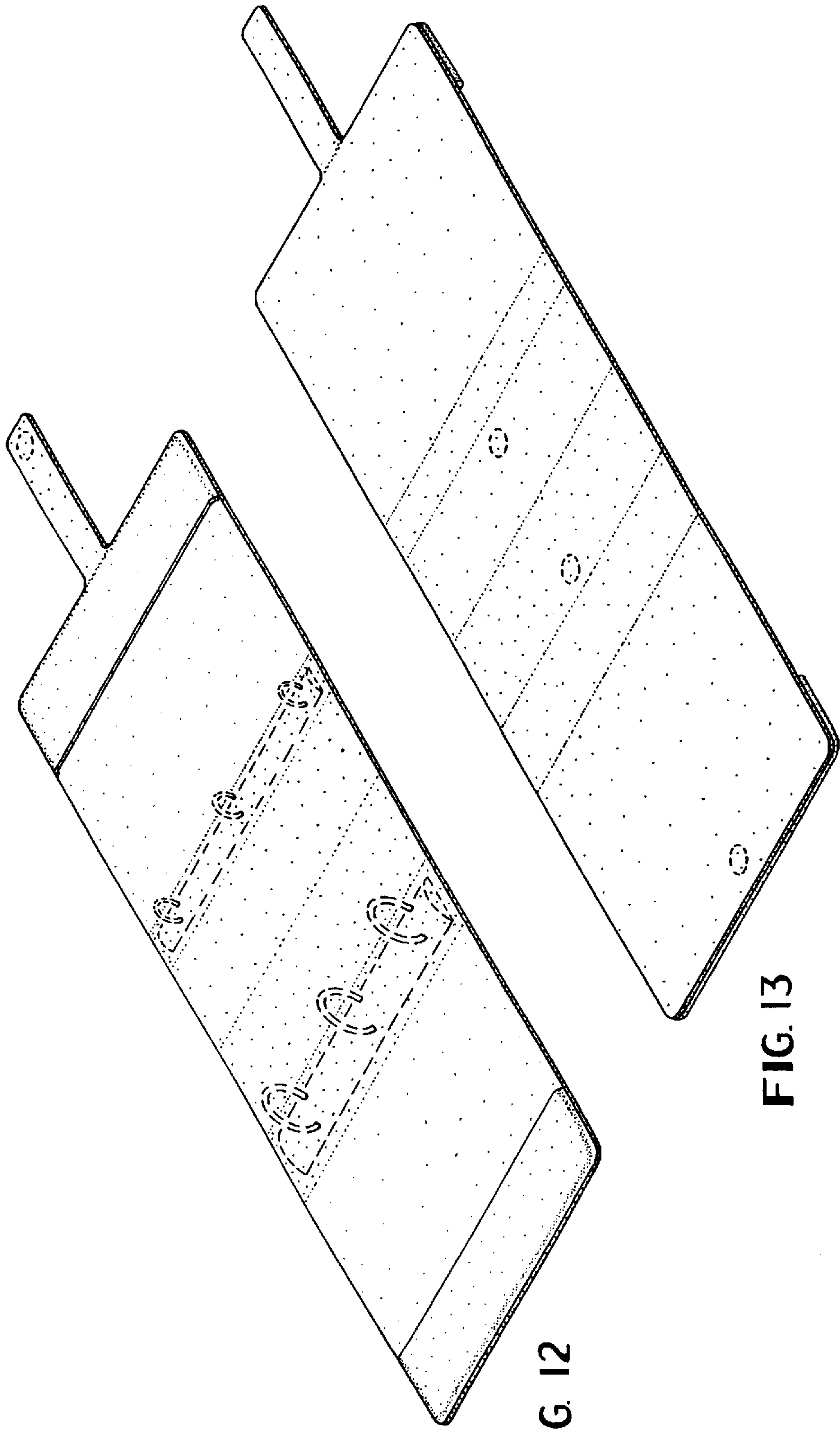


FIG. 12

FIG. 13