



US00D399522S

# United States Patent [19]

Nye et al.

[11] **Patent Number: Des. 399,522**

[45] **Date of Patent: \*\*Oct. 13, 1998**

[54] **DIGITAL ABACUS**

[76] Inventors: **William S. Nye**, 3015 29th Ave. West, Seattle, Wash. 98199-2177; **William M. Pease**, 900 1st Ave. South, #205B, Seattle, Wash. 98134

[\*\*] Term: **14 Years**

[21] Appl. No.: **62,820**

[22] Filed: **Nov. 26, 1996**

[51] **LOC (6) Cl. .... 18-01**

[52] **U.S. Cl. .... D18/6**

[58] **Field of Search** ..... D18/6, 7, 10; 434/203; D19/75, 77; 364/706-710

[56] **References Cited**

**U.S. PATENT DOCUMENTS**

D. 181,754	12/1957	Schott	.....	D18/6
D. 198,847	8/1964	Mathison	.....	D18/6
D. 215,004	8/1969	Oota	.....	D18/6
D. 282,669	2/1986	Conlee, Jr.	.....	D18/6
D. 284,975	8/1986	Kwok	.....	D18/6 X

3,731,401	5/1973	Kojima	.....	434/203
4,812,124	3/1989	Colodner et al.	.....	434/203
5,134,692	7/1992	Hiromori	.....	364/708.1

*Primary Examiner*—Caron D. Veynar  
*Attorney, Agent, or Firm*—Miller Nash Wiener Hager & Carlsen; Bruce A. Kaser; Dennis M. de Guzman

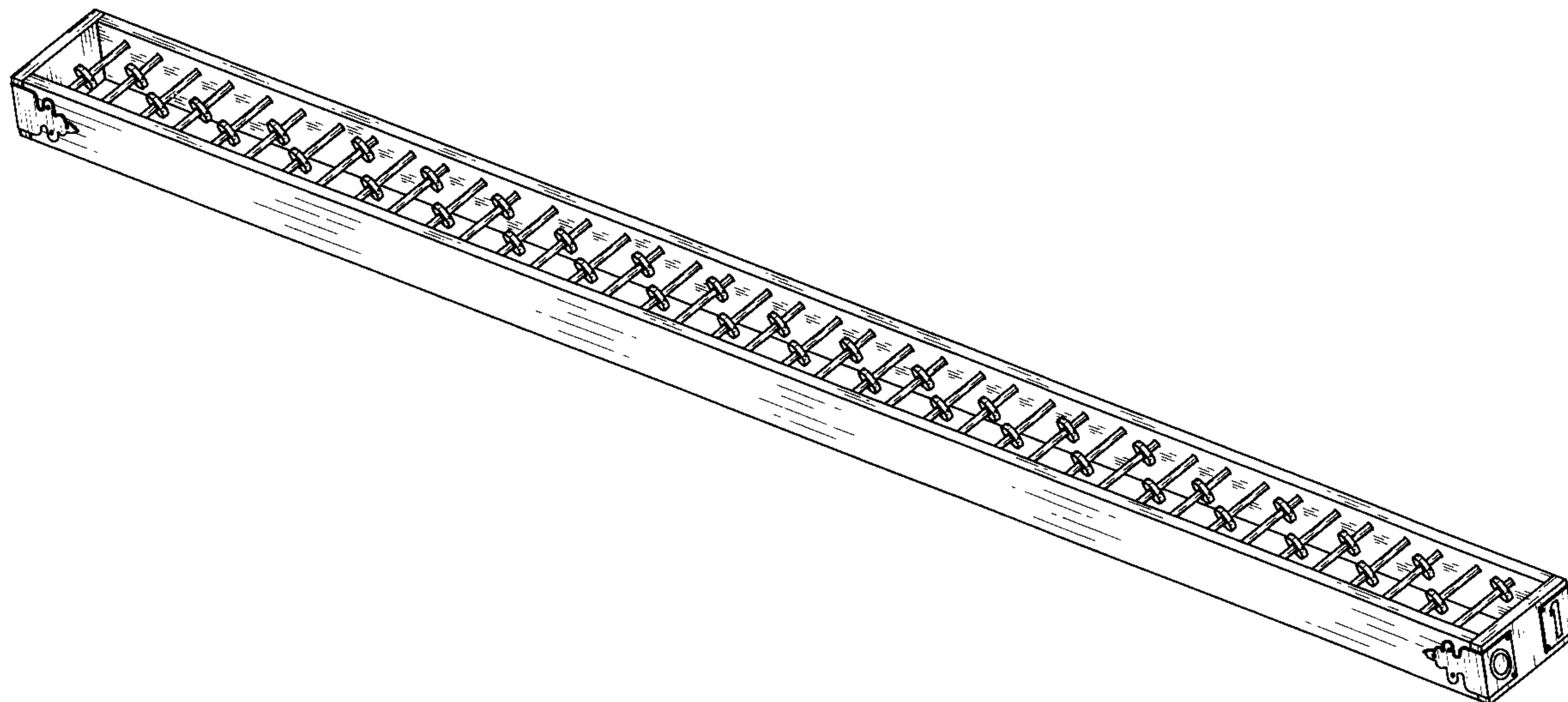
[57] **CLAIM**

The ornamental design for a digital abacus, as shown and described.

**DESCRIPTION**

FIG. 1 is a top, front perspective view of a digital abacus showing our new design; FIG. 2 is a top plan view of the digital abacus shown in FIG. 1, the bottom view being substantially identical thereto; FIG. 3 is a side view of the digital abacus shown in FIG. 1, the opposite side being substantially identical thereto; and, FIG. 4 is an end view of the digital abacus shown in FIG. 1, drawn on an enlarged scale, the opposite side being substantially identical thereto.

**1 Claim, 2 Drawing Sheets**



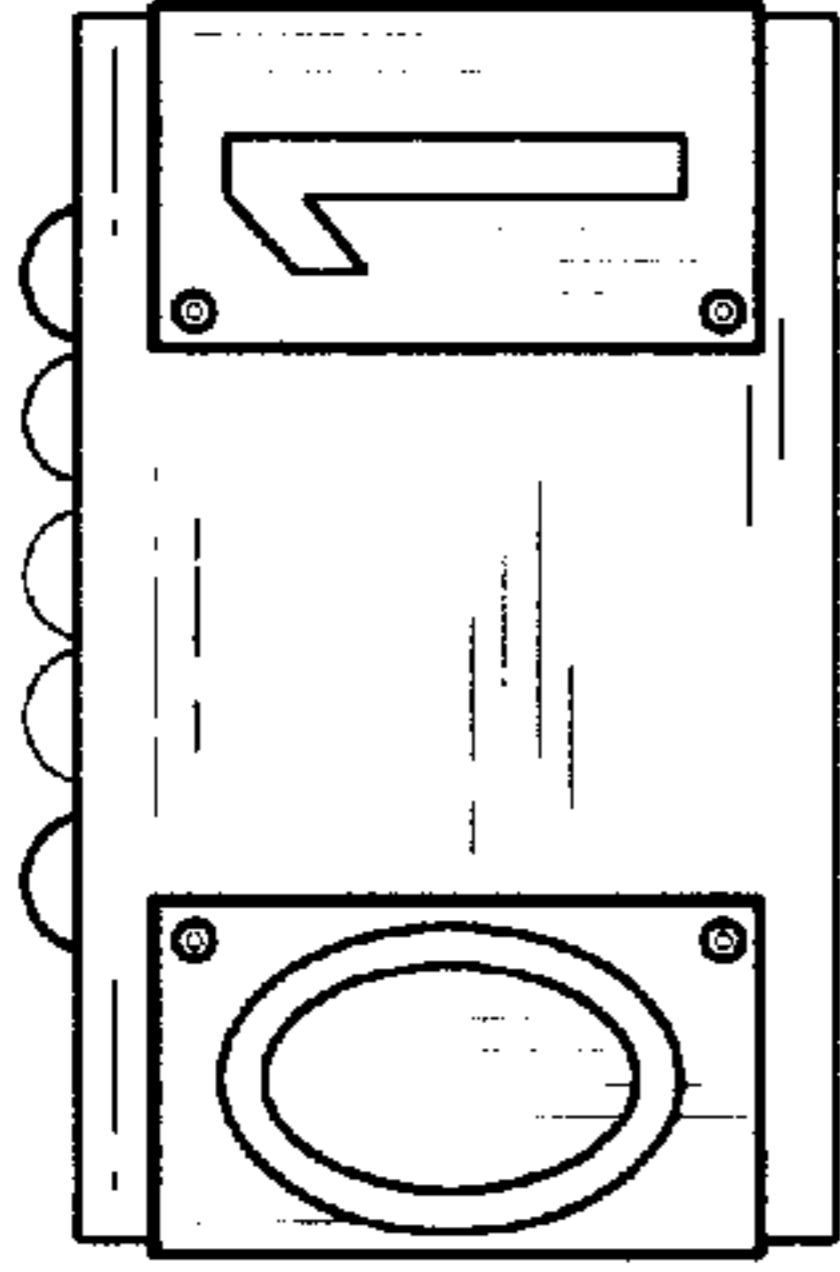


Fig. 4

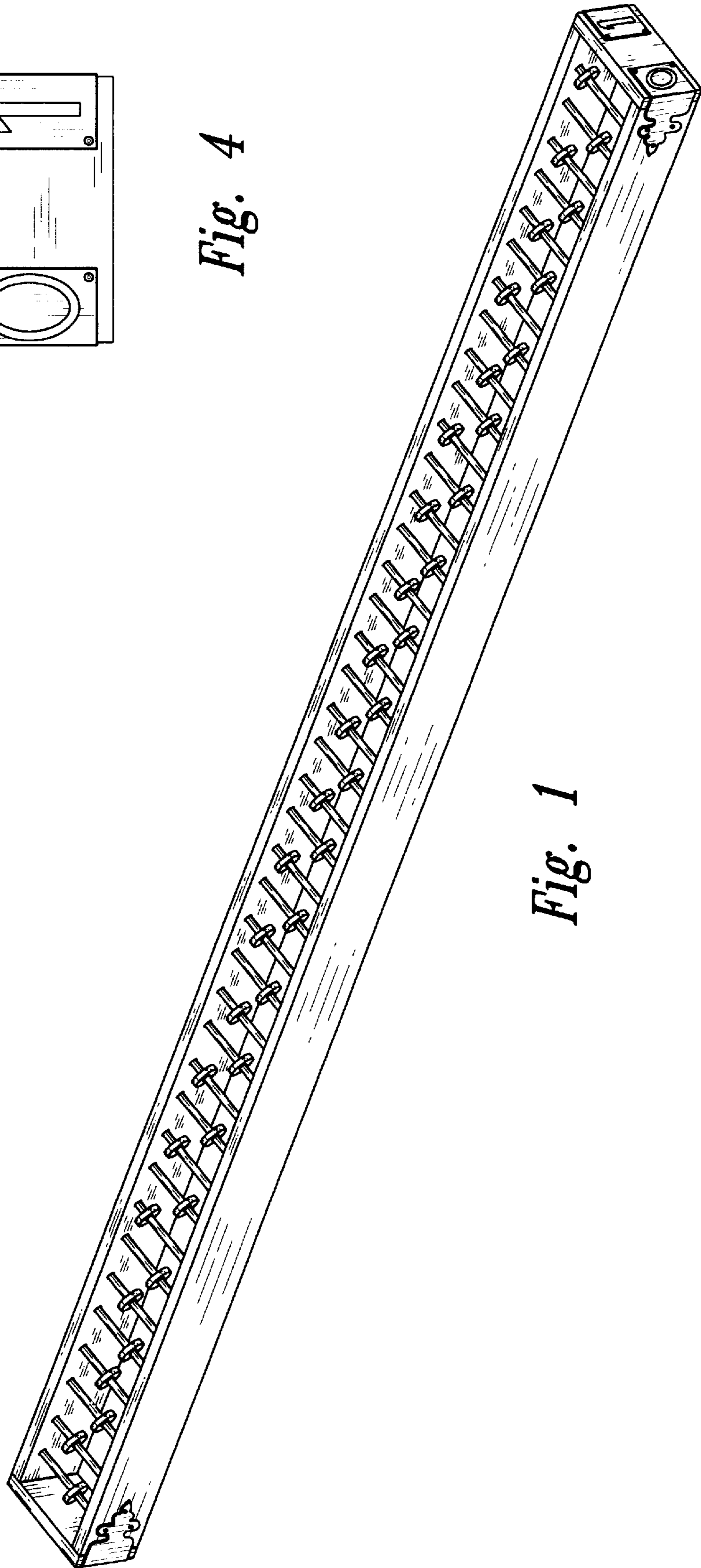
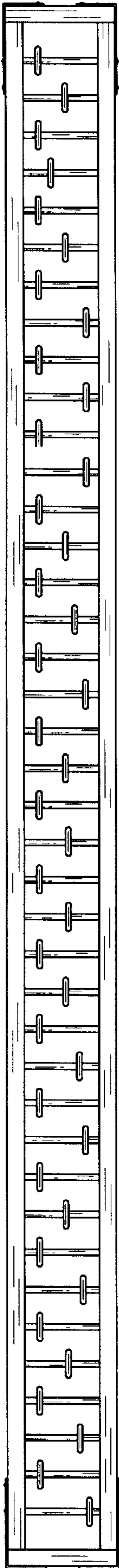
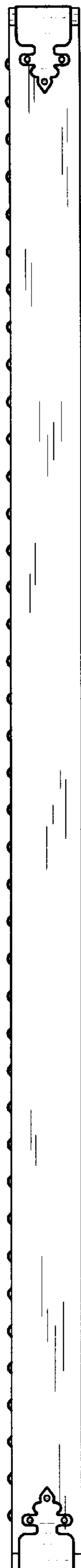


Fig. 1



*Fig. 2*



*Fig. 3*