



US00D399517S

United States Patent [19]
Hasegawa

[11] **Patent Number: Des. 399,517**

[45] **Date of Patent: **Oct. 13, 1998**

[54] **SURVEILLANCE TELEVISION CAMERA**

[75] Inventor: **Fumio Hasegawa**, Nisio, Japan

[73] Assignee: **Elmo Co., Ltd.**, Aichi, Japan

[**] Term: **14 Years**

[21] Appl. No.: **70,934**

[22] Filed: **May 13, 1997**

[30] **Foreign Application Priority Data**

Dec. 6, 1996 [JP] Japan 8-37240

[51] **LOC (6) Cl.** **16-01**

[52] **U.S. Cl.** **D16/203**

[58] **Field of Search** D16/200-204;
348/143, 373-376; 396/25-28, 427, 535-543

[56] **References Cited**

U.S. PATENT DOCUMENTS

D. 203,678 2/1966 Newton et al. D16/203

D. 233,170 10/1974 Gideon D16/203

D. 248,305 6/1978 Scott D16/203

D. 307,759 5/1990 Pagano D16/203

D. 388,450 12/1997 Hamano et al. D16/203

3,739,703 6/1973 Behles 396/427

4,080,629 3/1978 Hammond et al. 348/373

Primary Examiner—Sandra L. Morris
Assistant Examiner—Adir Aronovich
Attorney, Agent, or Firm—Koda & Androlia

[57] **CLAIM**

The ornamental design for a surveillance television camera, as shown.

DESCRIPTION

FIG. 1 is a front elevational view of a surveillance television camera showing my new design; FIG. 2 is a rear elevational view thereof; FIG. 3 is a top plan view thereof; FIG. 4 is a bottom plan view thereof; FIG. 5 is a right side elevational view thereof; FIG. 6 is a left side elevational view thereof; and, FIG. 7 is a perspective view taken from the front, bottom and left side thereof.

1 Claim, 7 Drawing Sheets

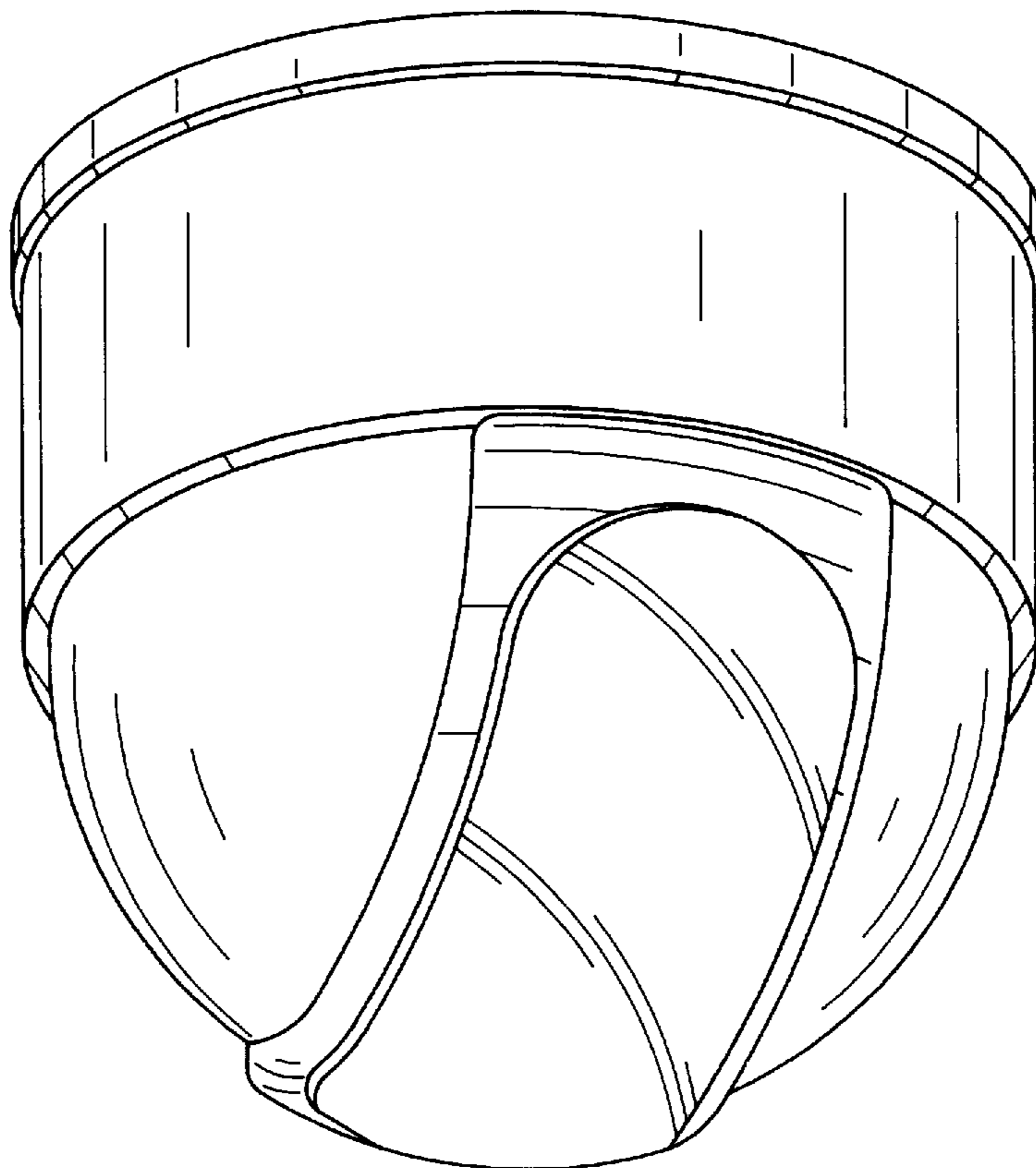


FIG. 1

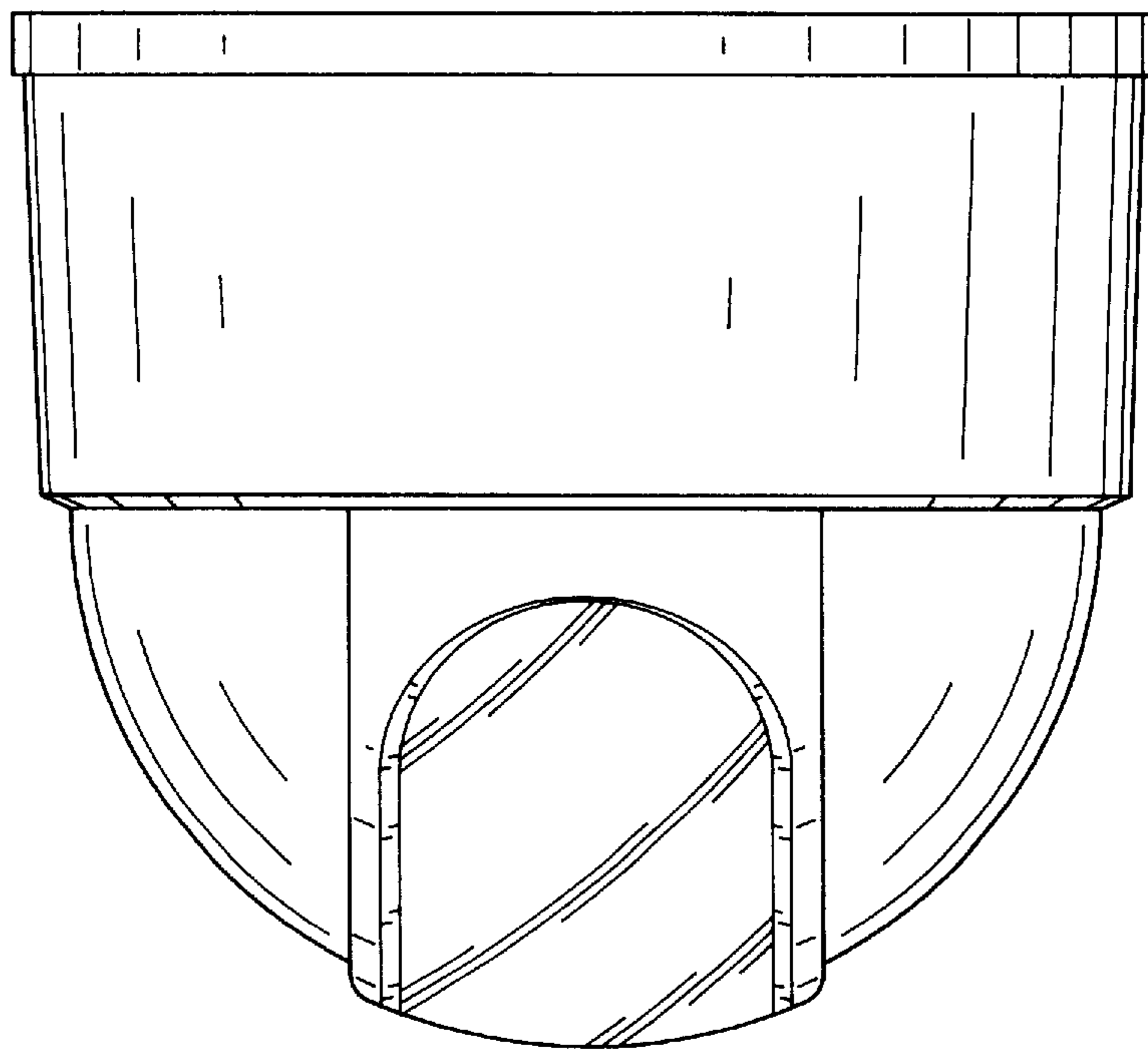
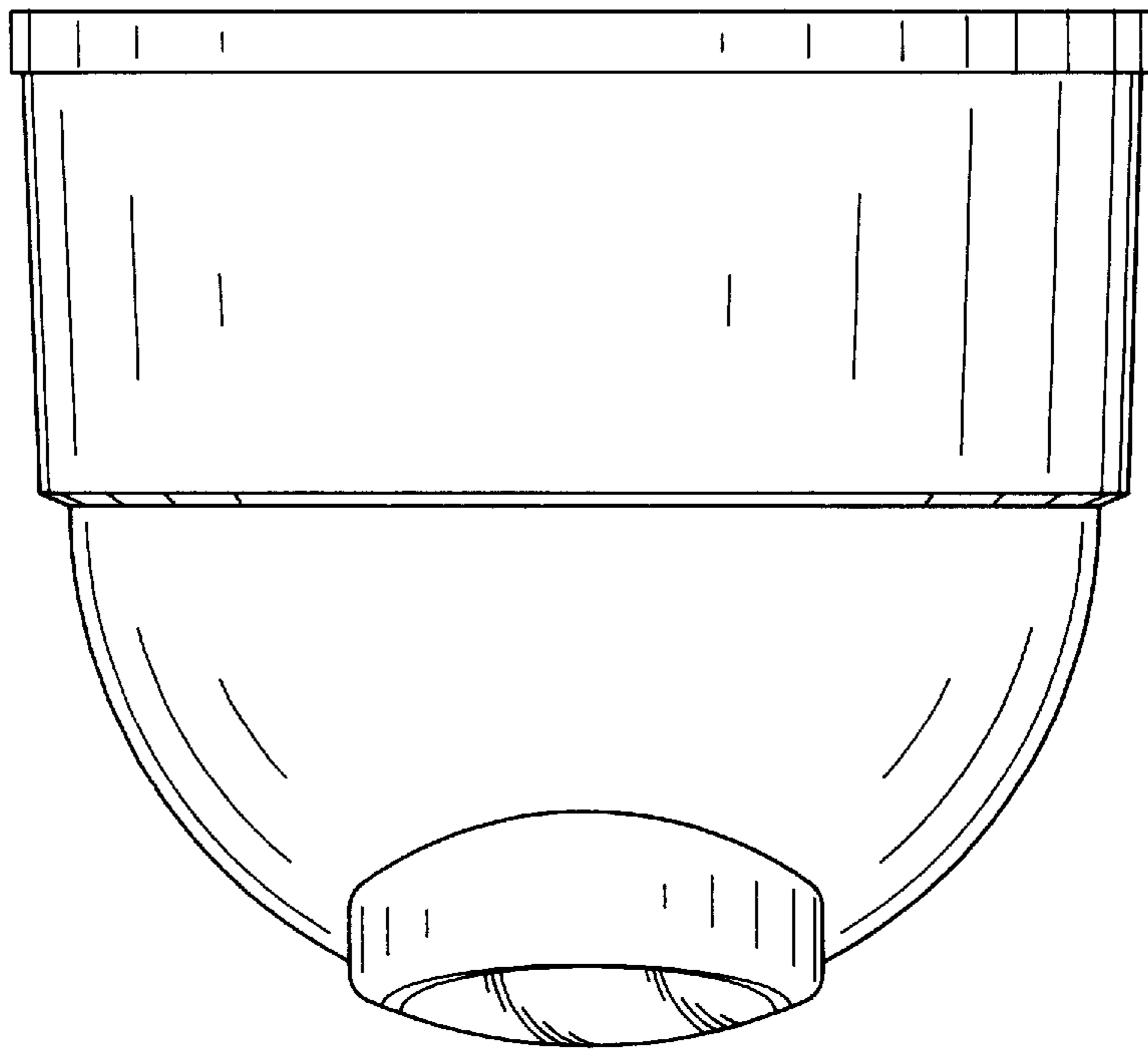


FIG. 2



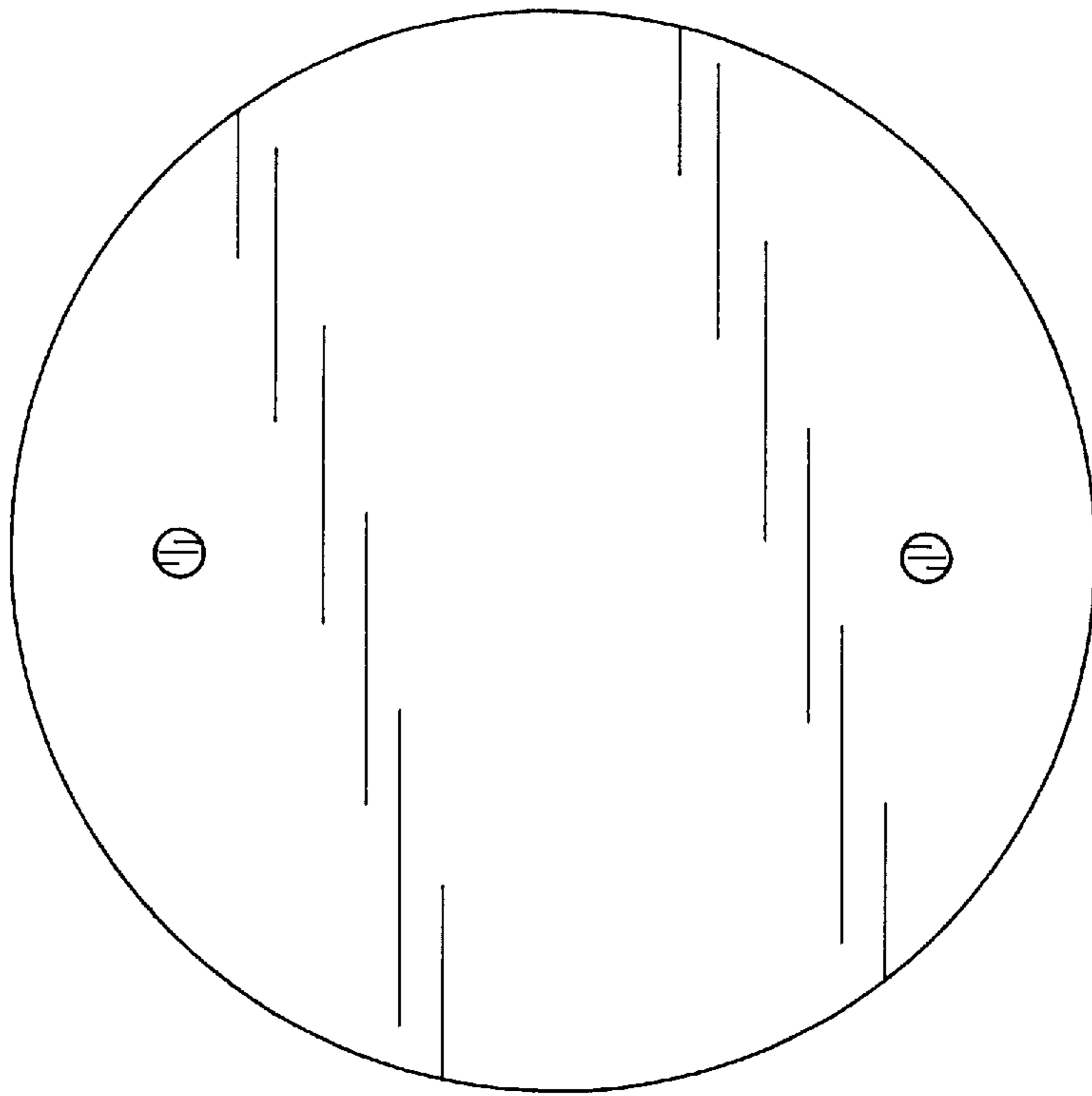


FIG. 3

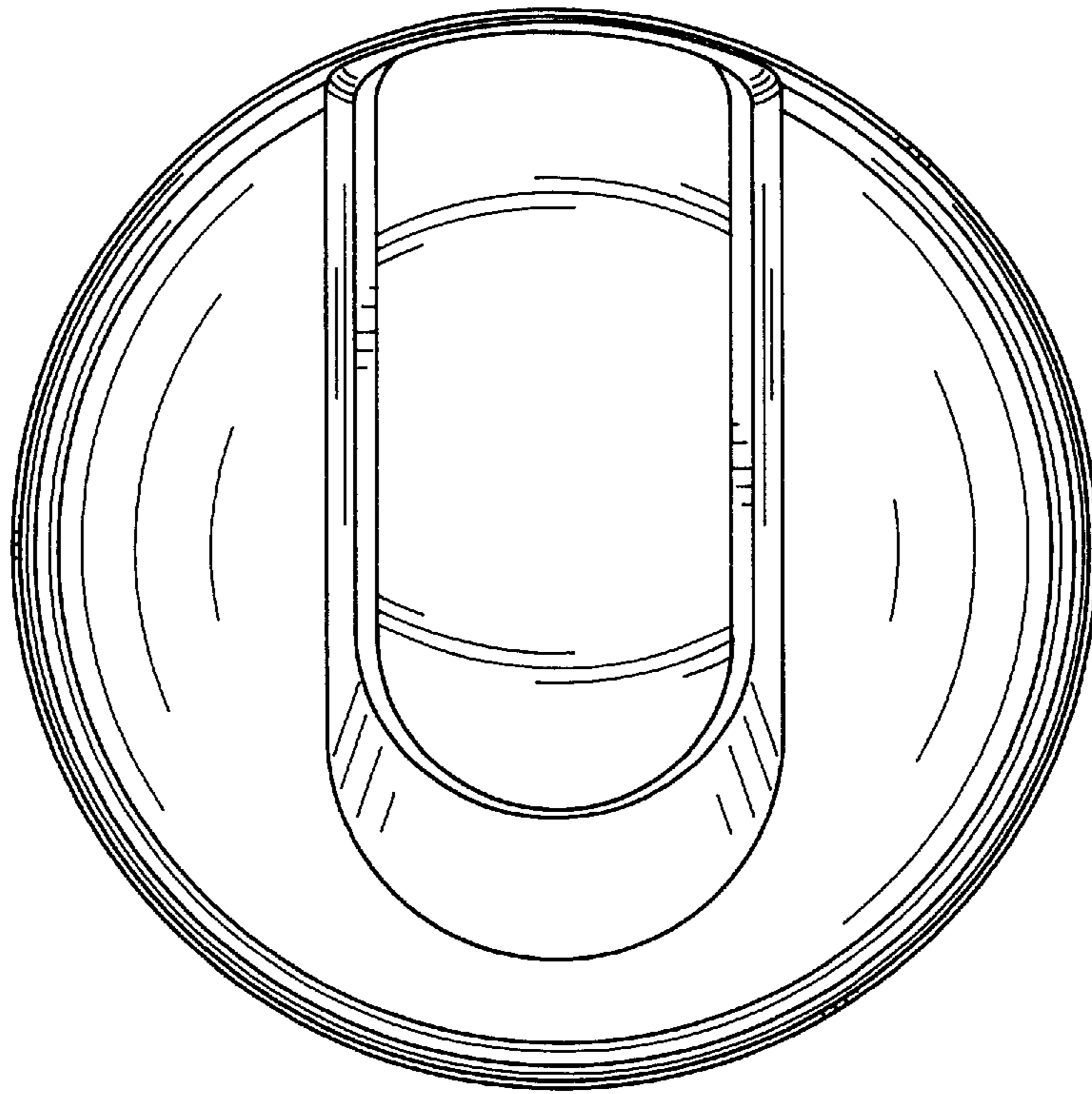


FIG. 4

FIG. 5

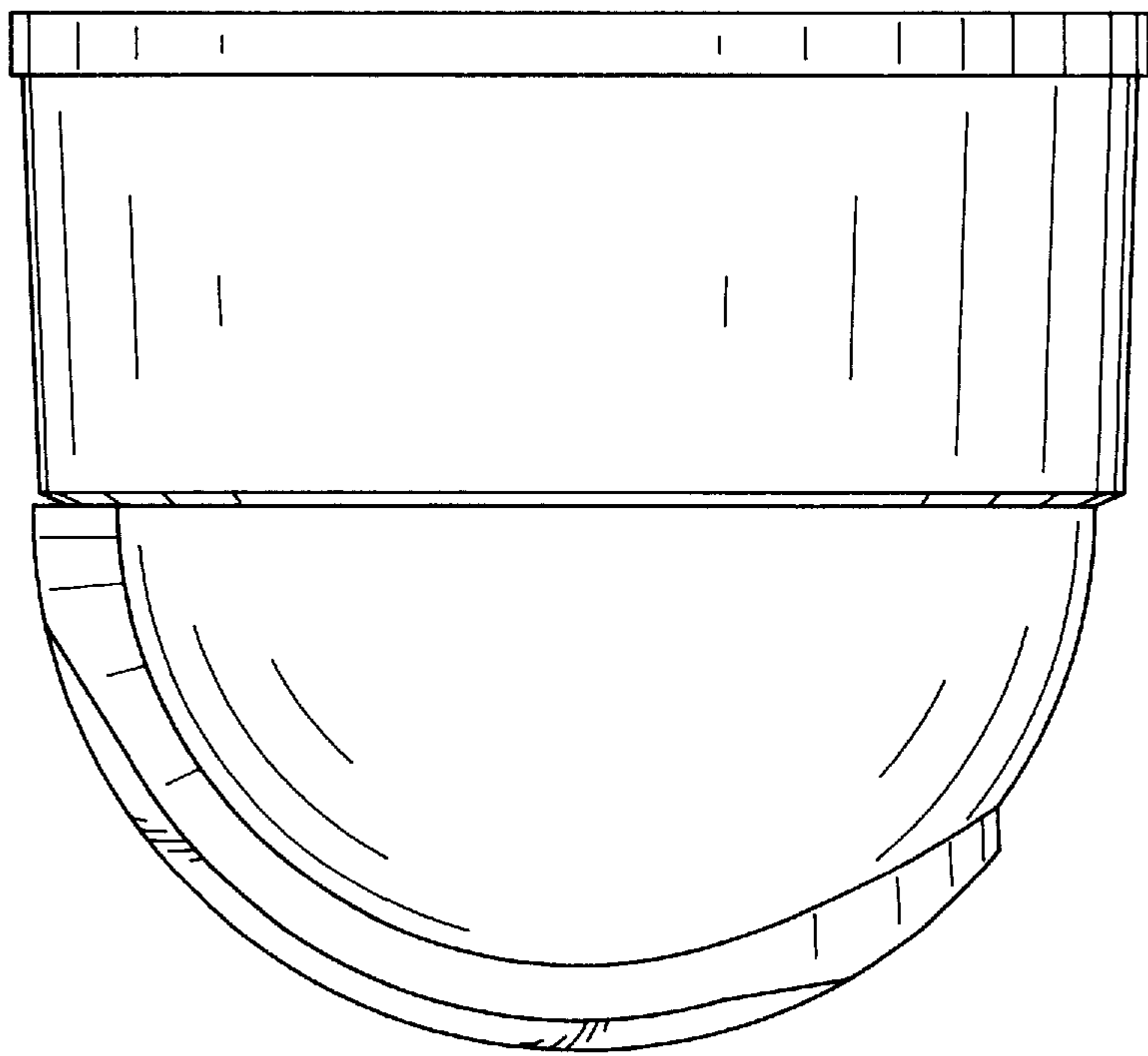


FIG. 6

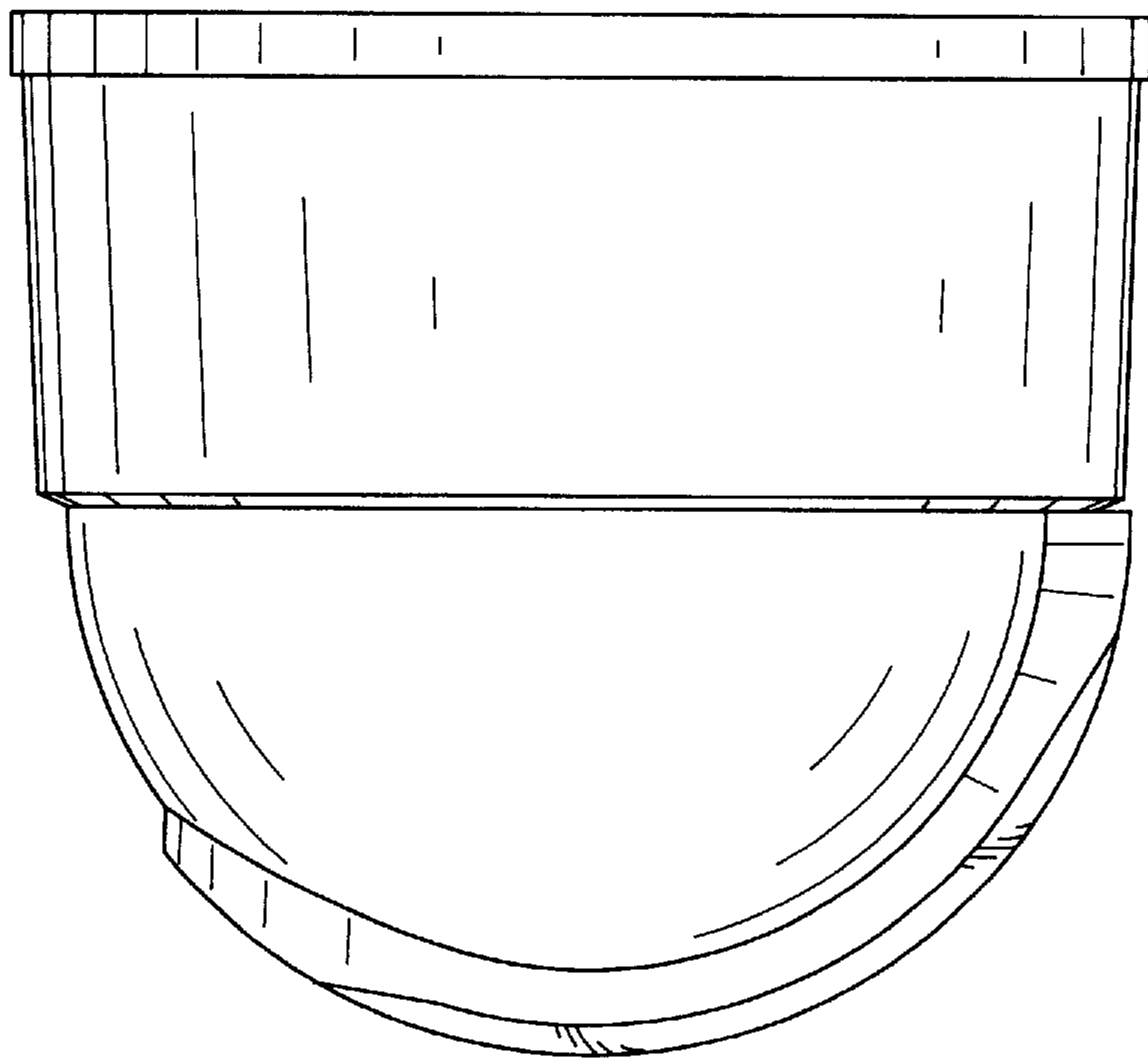


FIG. 7

