



US00D399515S

United States Patent [19] Kung

[11] **Patent Number: Des. 399,515**

[45] **Date of Patent: **Oct. 13, 1998**

[54] **MAGNIFYING GLASS**

5,426,533 6/1995 Wallace 359/808 X

[75] Inventor: **Wai Ming Kung**, Aberdeen, Hong Kong

OTHER PUBLICATIONS

Edmunds Scientific Summer Catalogue 1983 p. 20, 1983.

[73] Assignee: **Li Kwong Industrial Co.**, Aberdeen, Hong Kong

Primary Examiner—Paula A. Mortimer
Attorney, Agent, or Firm—Beveridge, DeGrandi, Weilacher & Young LLP

[**] Term: **14 Years**

[57] CLAIM

[21] Appl. No.: **76,491**

The ornamental design for a magnifying glass, as shown and described.

[22] Filed: **Sep. 10, 1997**

DESCRIPTION

[51] **LOC (6) Cl.** **16-06**

[52] **U.S. Cl.** **D16/135**

[58] **Field of Search** D16/130, 135;
359/802, 804, 808, 810

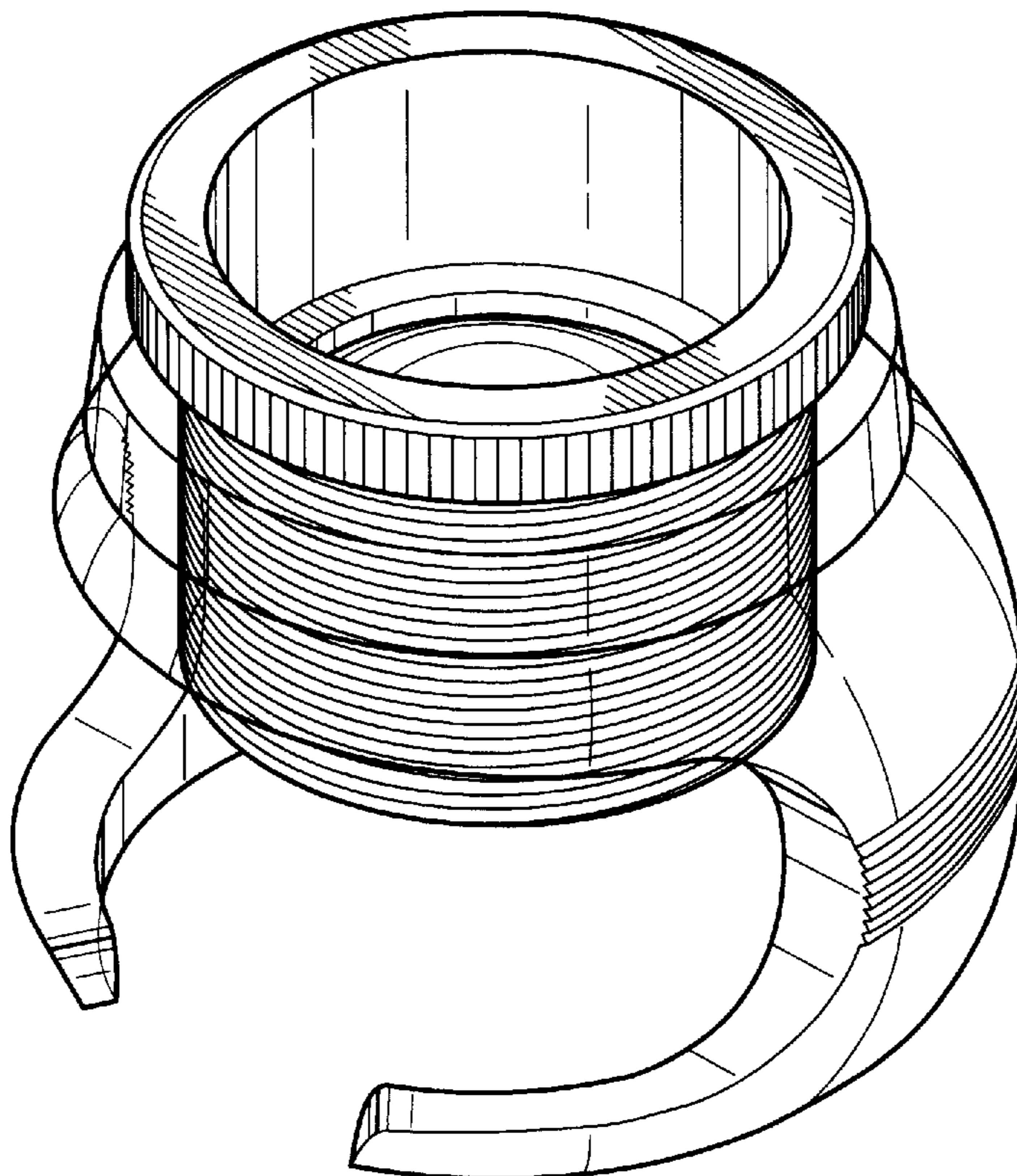
FIG. 1 is a perspective view of a magnifying glass showing my new design;
FIG. 2 is a perspective view thereof with telescopic lens in outward position;
FIG. 3 is a front view thereof;
FIG. 4 is a rear view thereof;
FIG. 5 is a left side view thereof;
FIG. 6 is a right side view thereof;
FIG. 7 is a top view thereof; and,
FIG. 8 is a bottom view thereof.

[56] References Cited

U.S. PATENT DOCUMENTS

D. 135,421	4/1943	Austin	D16/135
D. 363,300	10/1995	Schwartz	D16/135
4,944,574	7/1990	Roote et al.	359/802
5,050,963	9/1991	Murakami	359/808
5,193,032	3/1993	Hirth	359/804

1 Claim, 5 Drawing Sheets



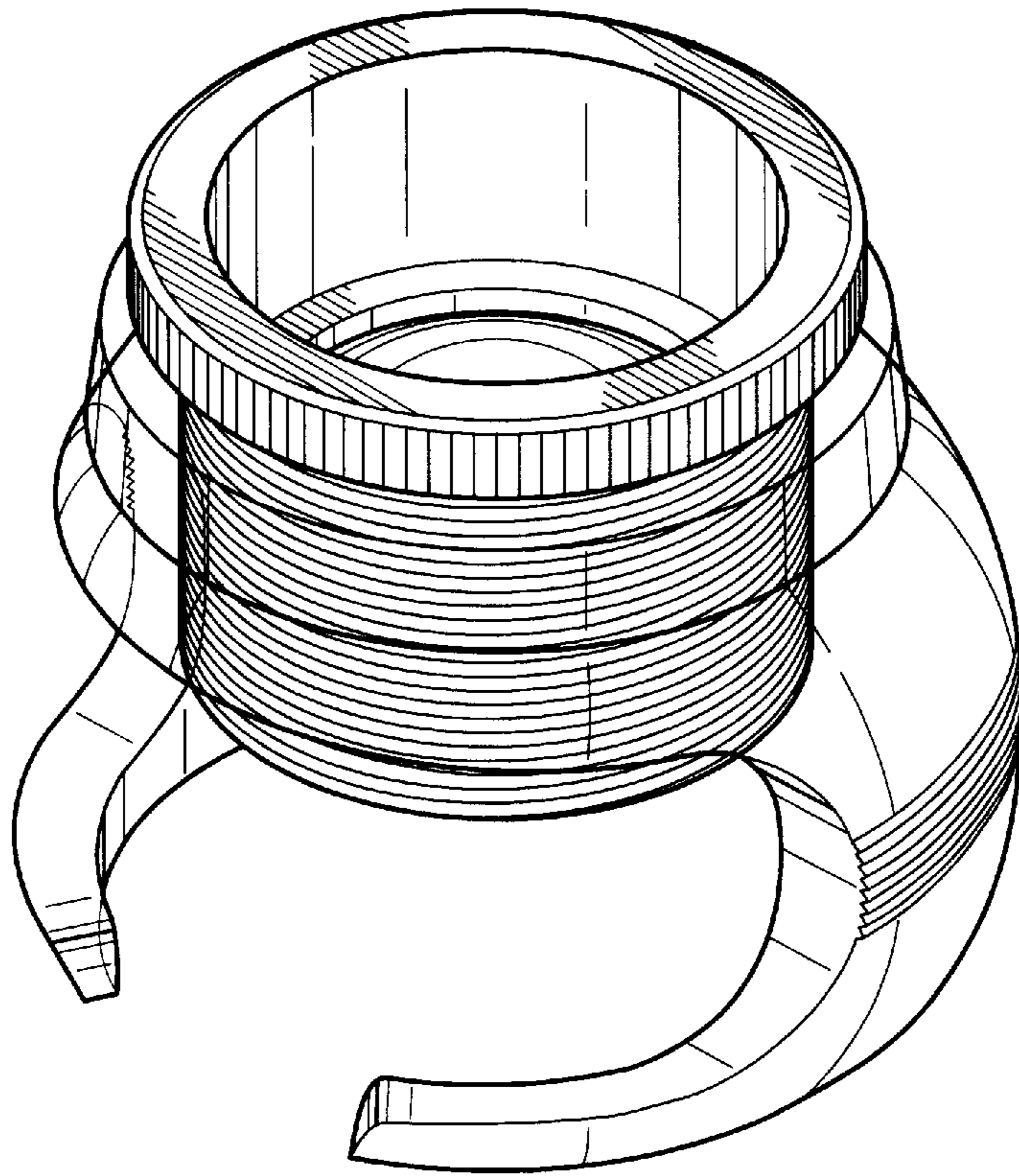


FIG. 1

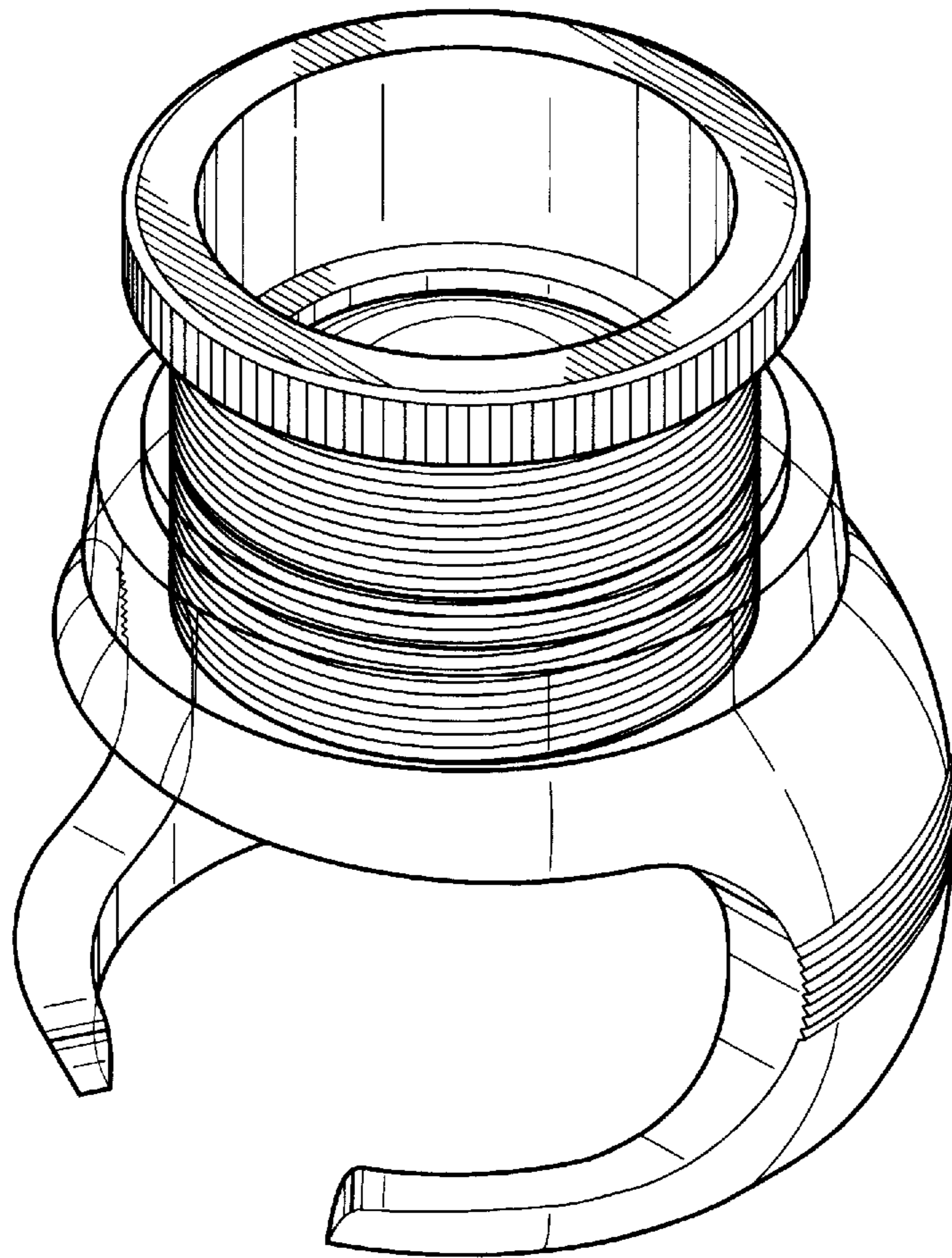


FIG. 2

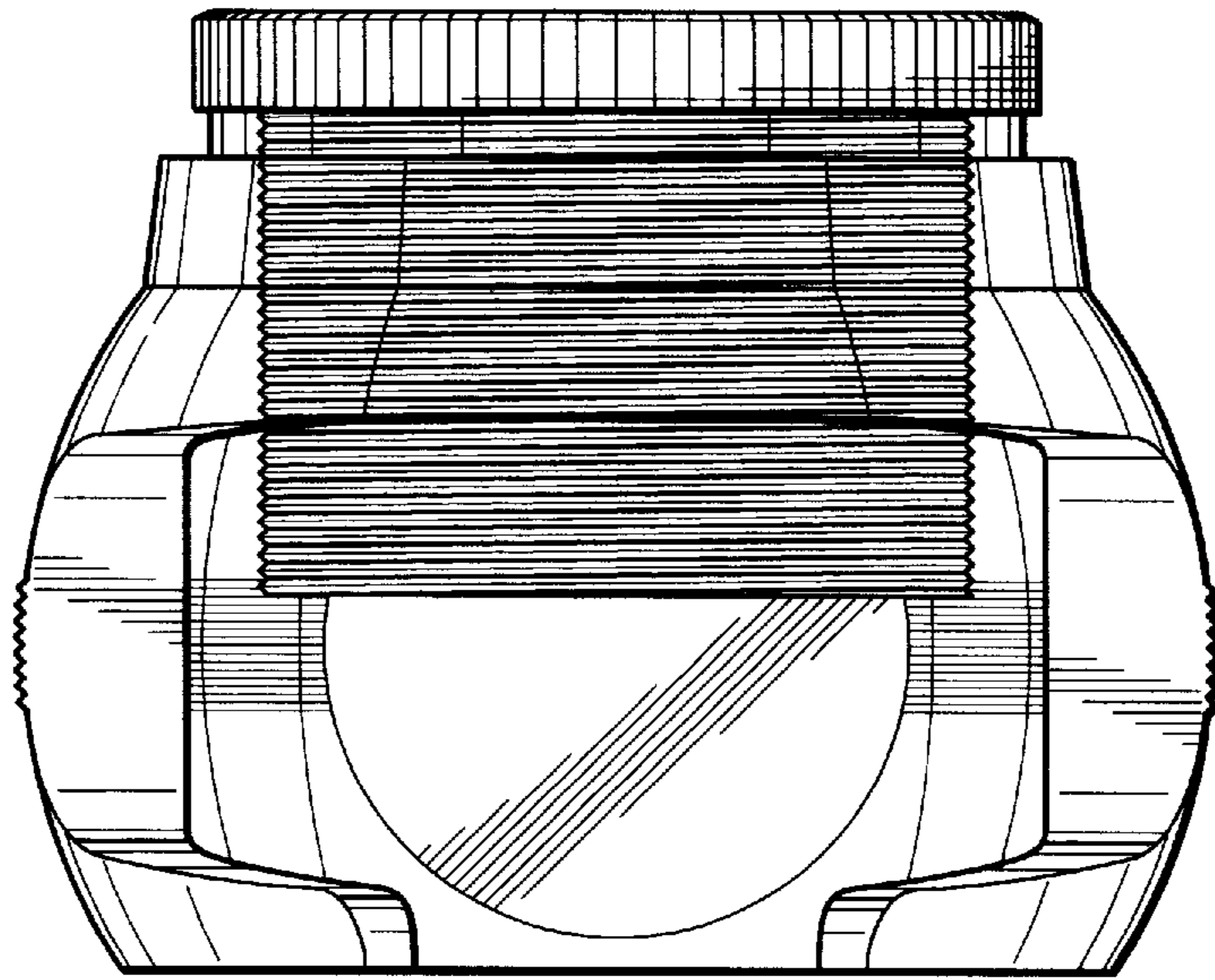


FIG. 3

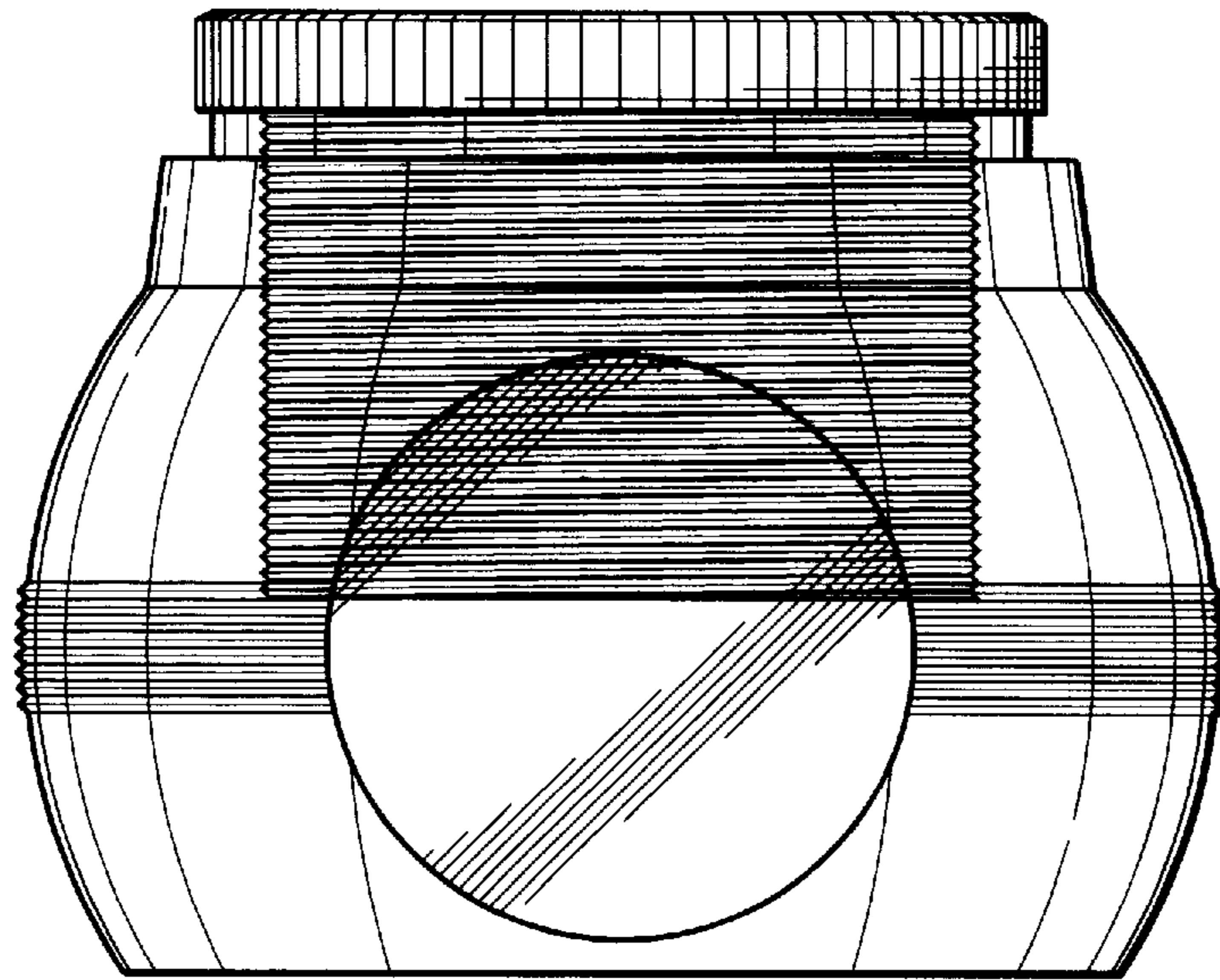


FIG. 4

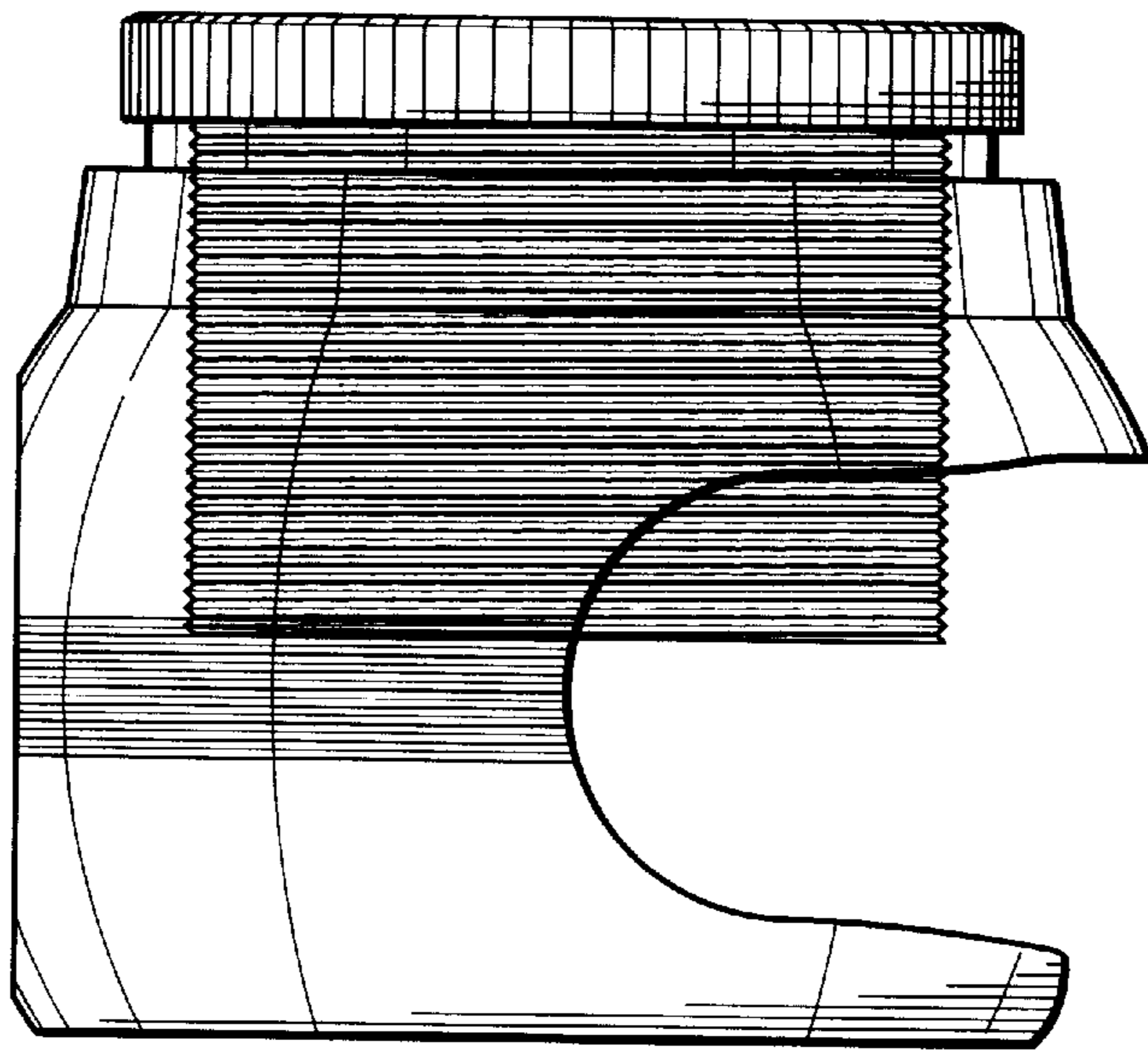


FIG. 5

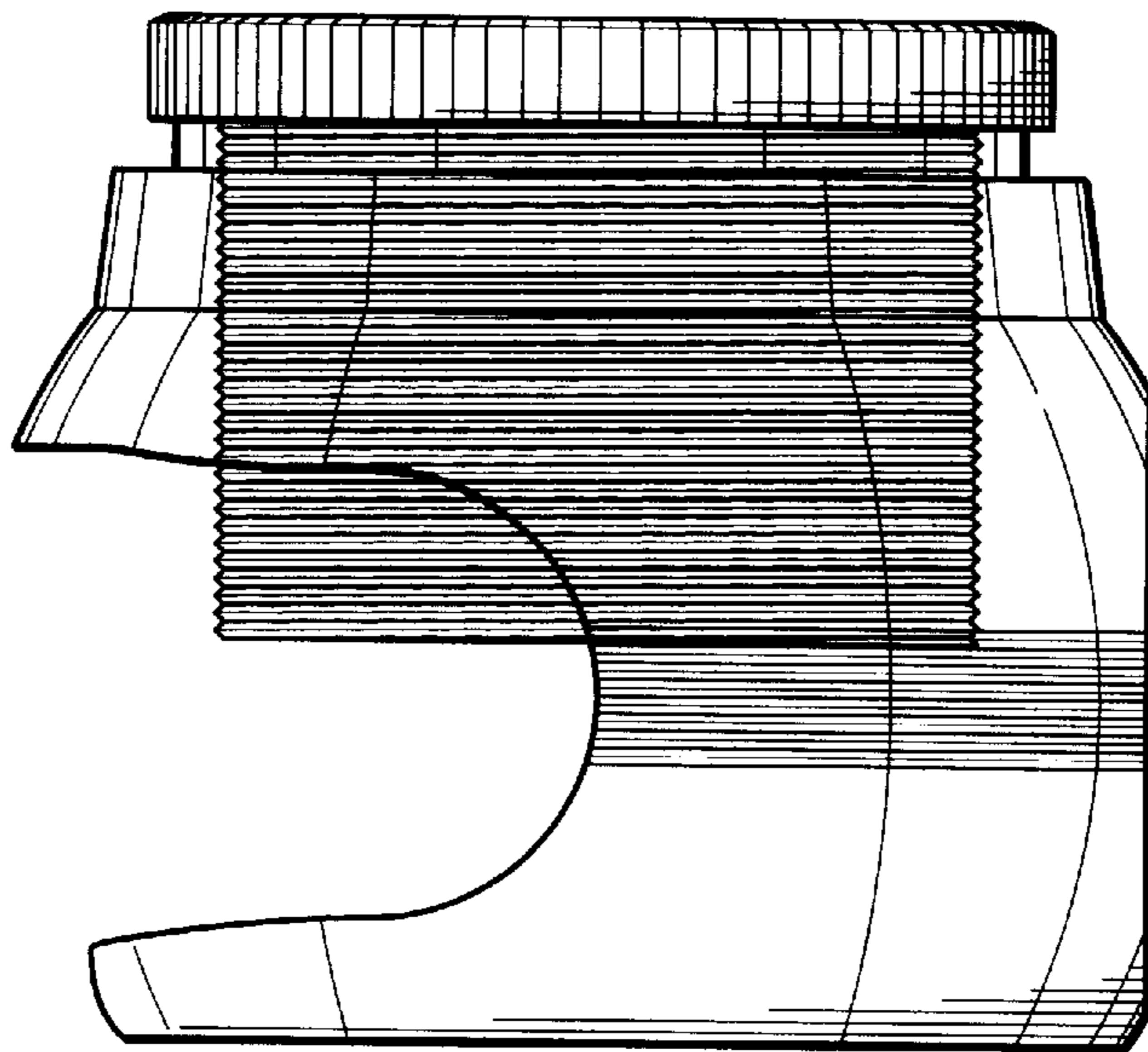


FIG. 6

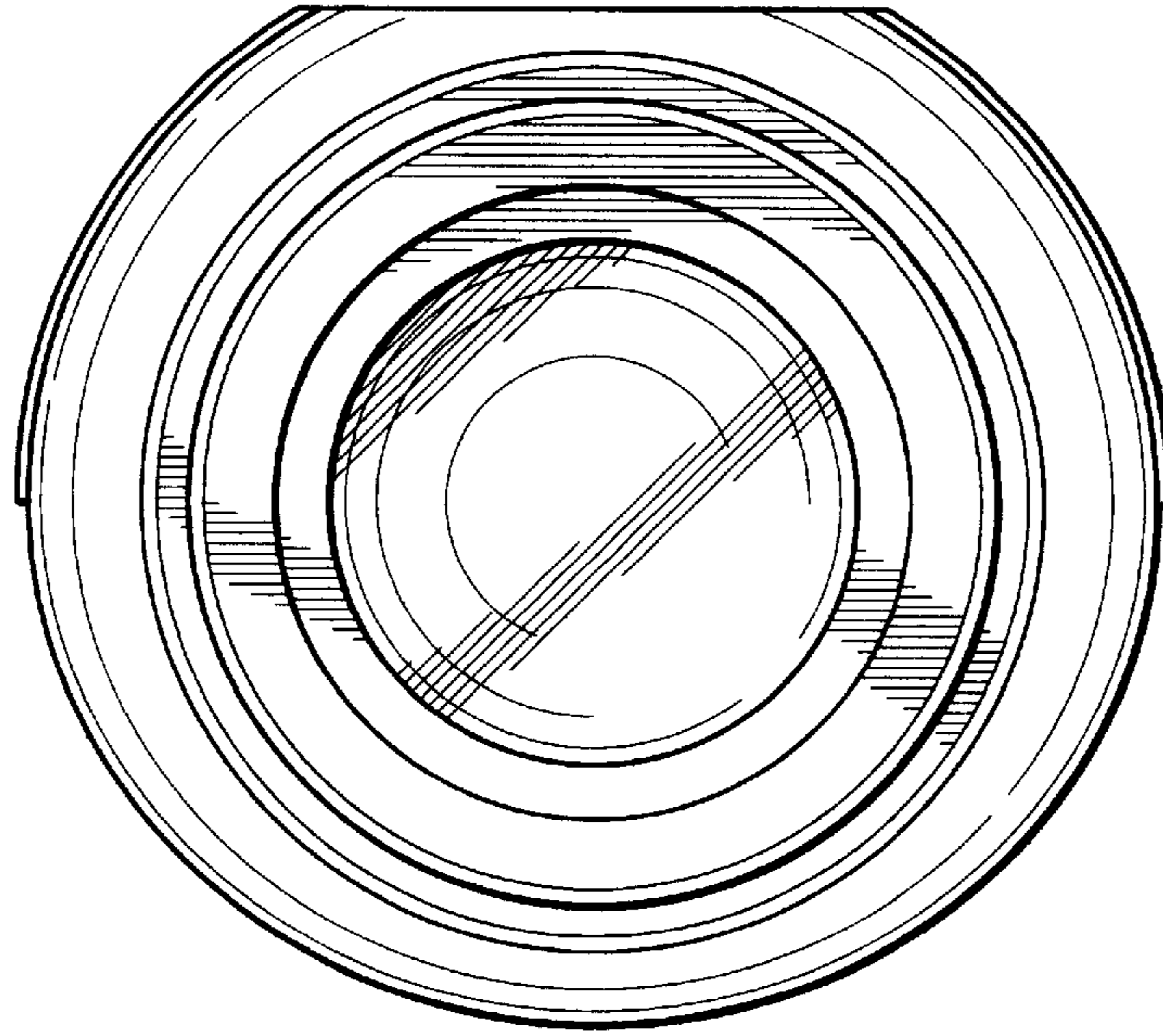


FIG. 7

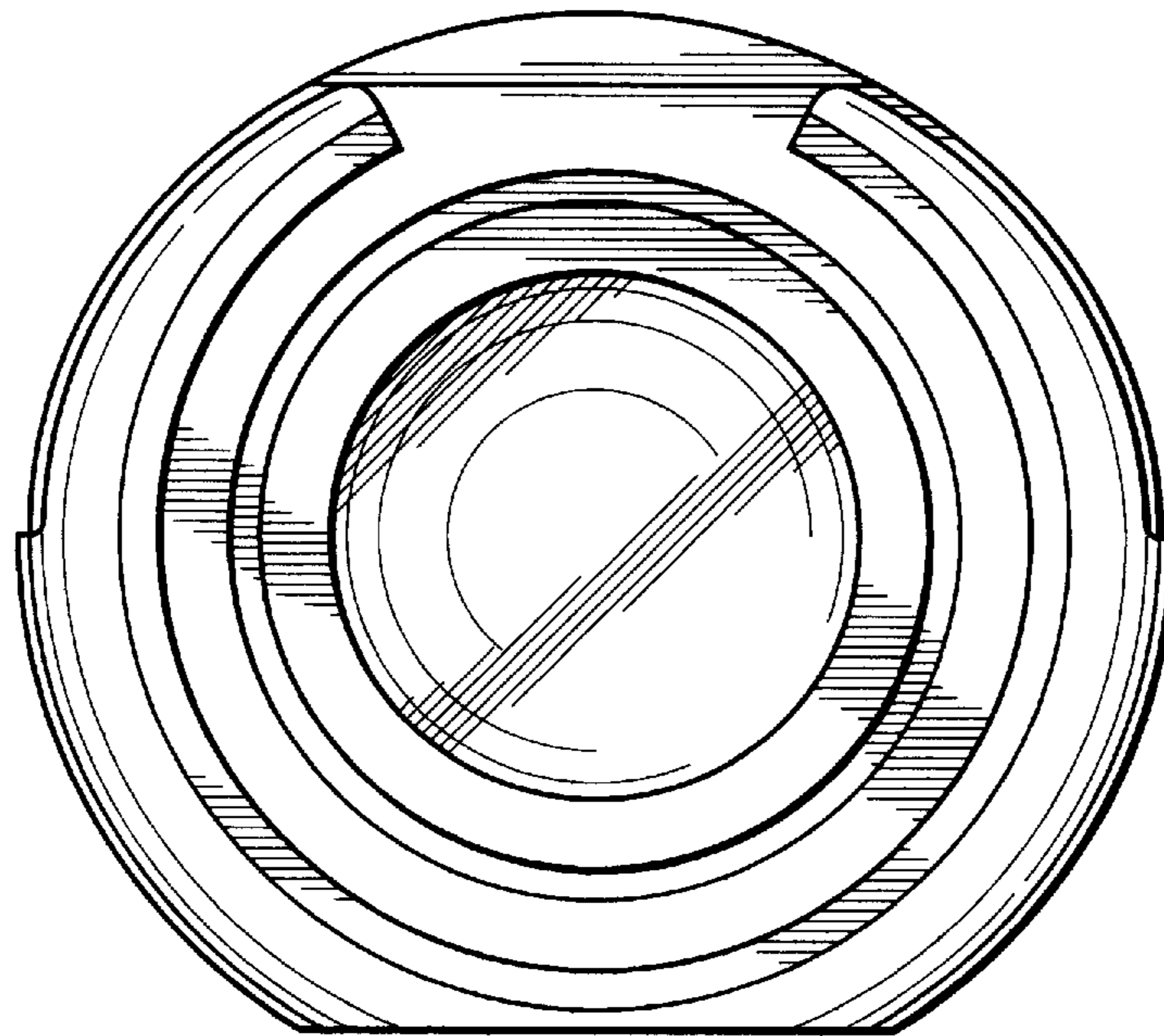


FIG. 8