



US00D399514S

United States Patent [19] Shimada

[11] Patent Number: Des. 399,514

[45] Date of Patent: **Oct. 13, 1998

[54] REFLECTING MIRROR

[75] Inventor: Takehiko Shimada, Yokohama, Japan

[73] Assignee: Kabushiki Kaisha Shimada Technical, Yokohama, Japan

[**] Term: 14 Years

[21] Appl. No.: 55,300

[22] Filed: Jun. 3, 1996

[51] LOC (6) Cl. 15-99

[52] U.S. Cl. D15/199

[58] Field of Search D10/46; D15/199;
34/4; 126/599, 684, 696; 359/845, 850,
851, 852, 853, 867-869, 871; 362/345,
346, 373; 372/34, 35, 36, 70, 72

[56] **References Cited**

U.S. PATENT DOCUMENTS

5,323,271 6/1994 Shimada 359/845

Primary Examiner—Antoine Duval Davis
Attorney, Agent, or Firm—Staas & Halsey

[57] CLAIM

The ornamental design for a reflecting mirror, as shown and described.

DESCRIPTION

FIG. 1 is a top plan view of a reflecting mirror showing my new design;
FIG. 2 is a front elevational view thereof, a rear elevational view being identical with the front elevational view;
FIG. 3 is a bottom plan view thereof;
FIG. 4 is a right side elevational view thereof, a left side elevational view being identical with the right side elevational view;
FIG. 5 is a cross sectional view thereof taken along the line 5—5 of FIG. 2;
FIG. 6 is a cross sectional view thereof taken along the line 6—6 of FIG. 2;
FIG. 7 is a cross sectional view thereof taken along the line 7—7 of FIG. 2;
FIG. 8 is a cross sectional view thereof taken along the line 8—8 of FIG. 2; and,
FIG. 9 is a perspective view thereof.

1 Claim, 5 Drawing Sheets

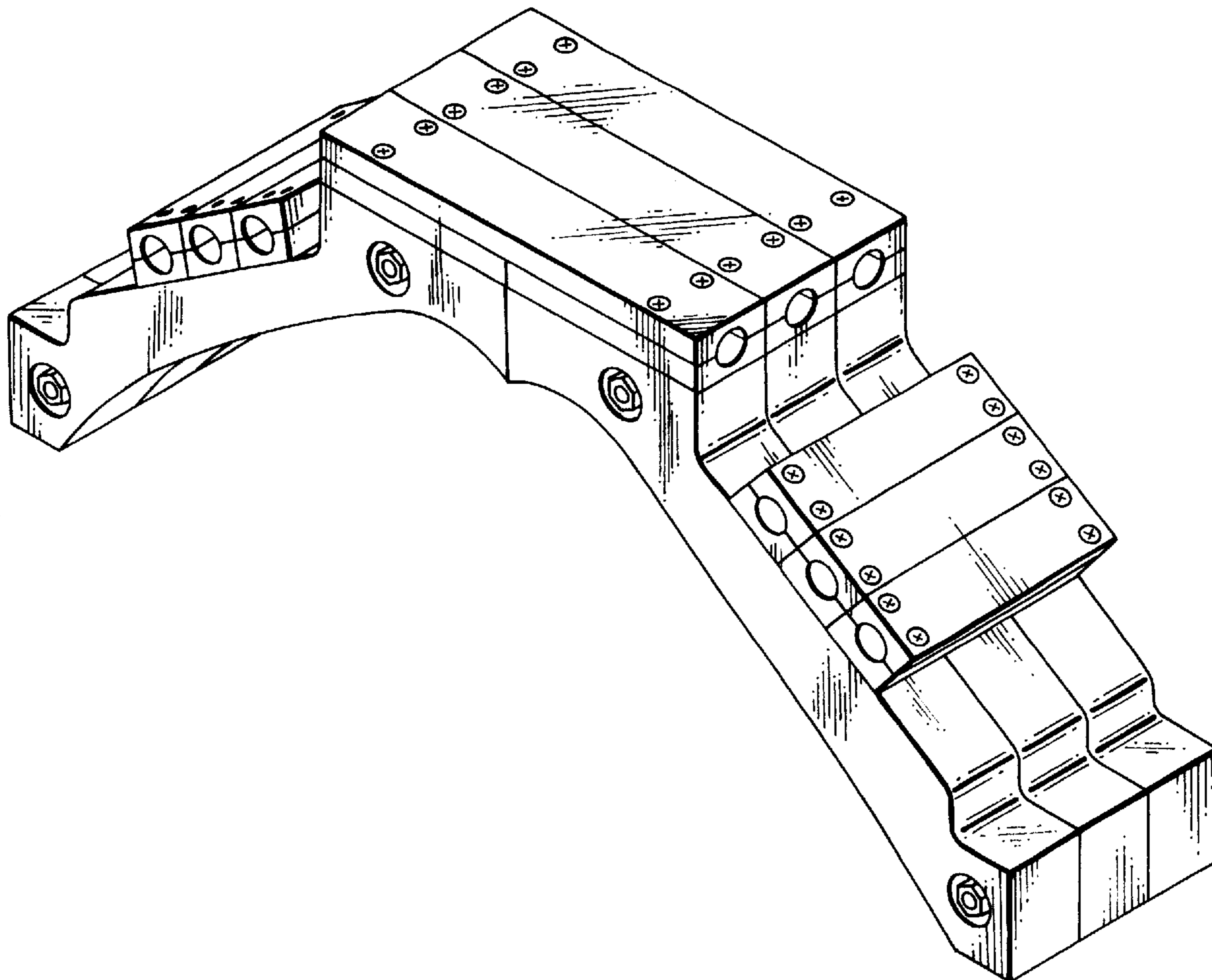


FIG. 1

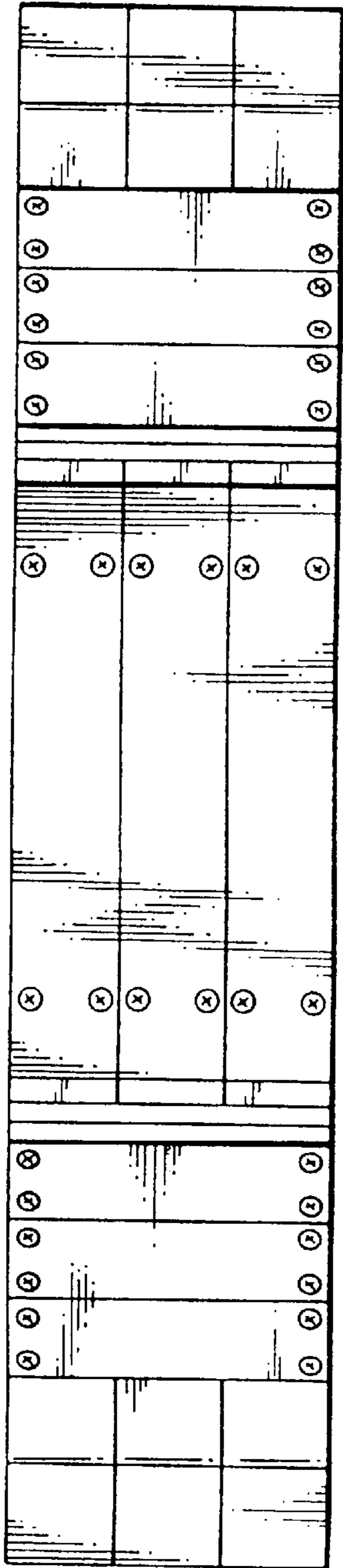


FIG. 2

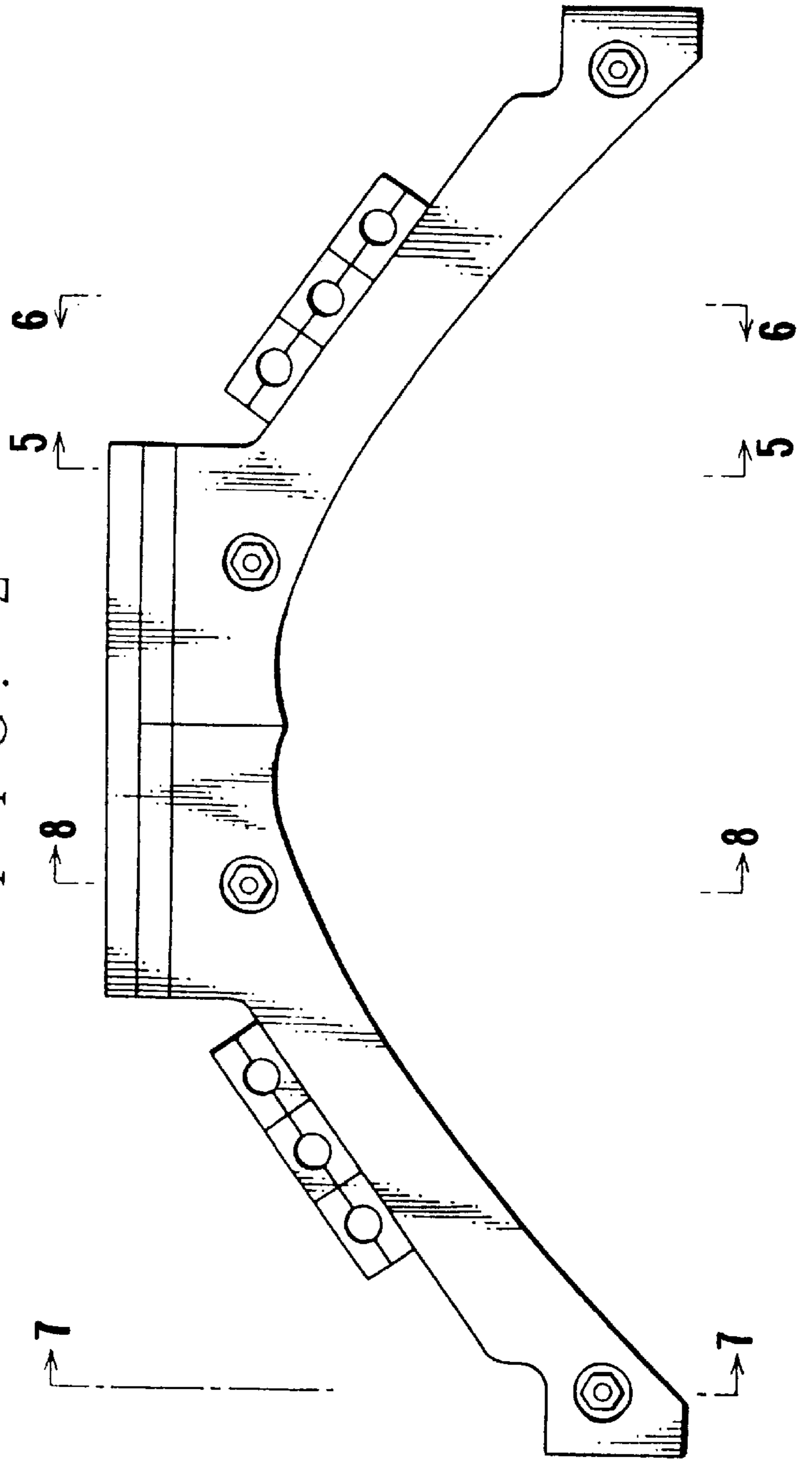
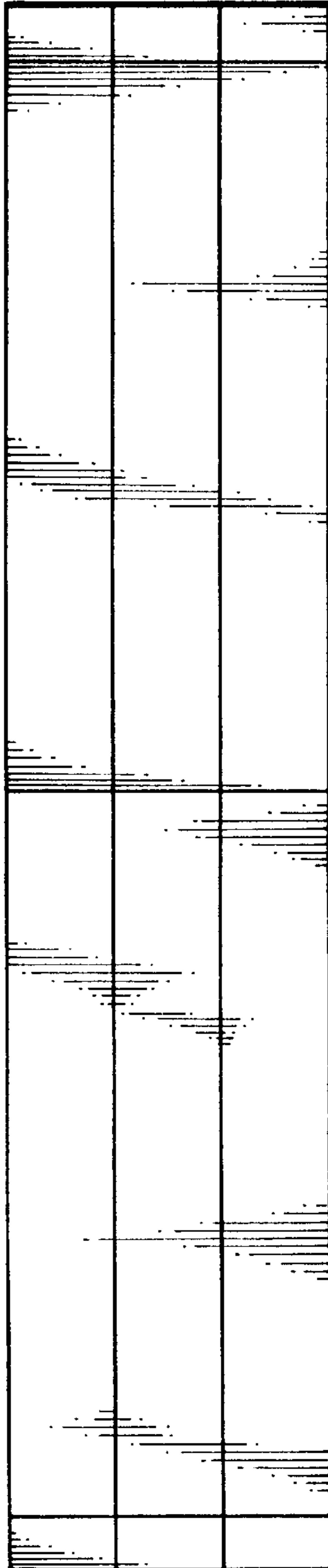
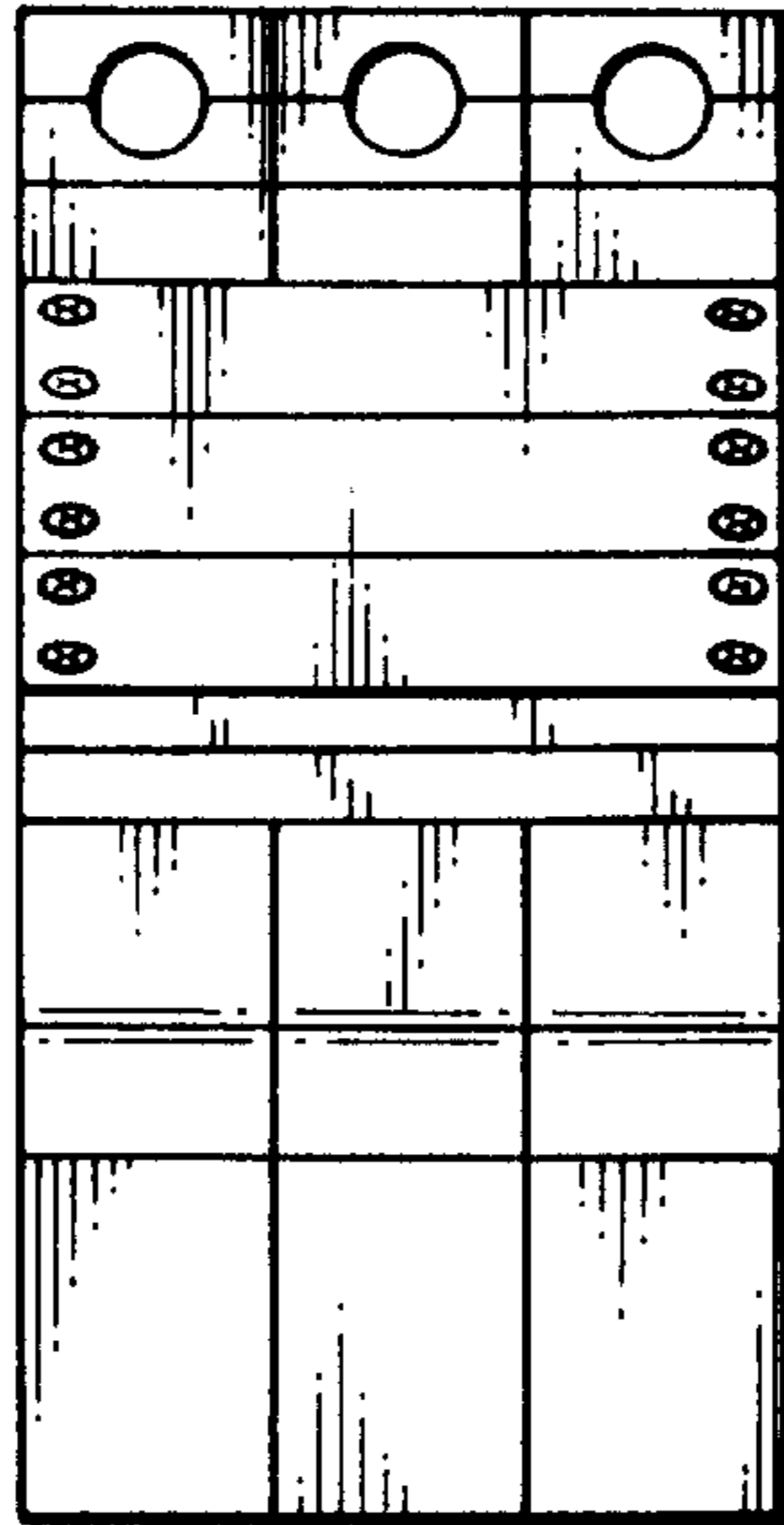


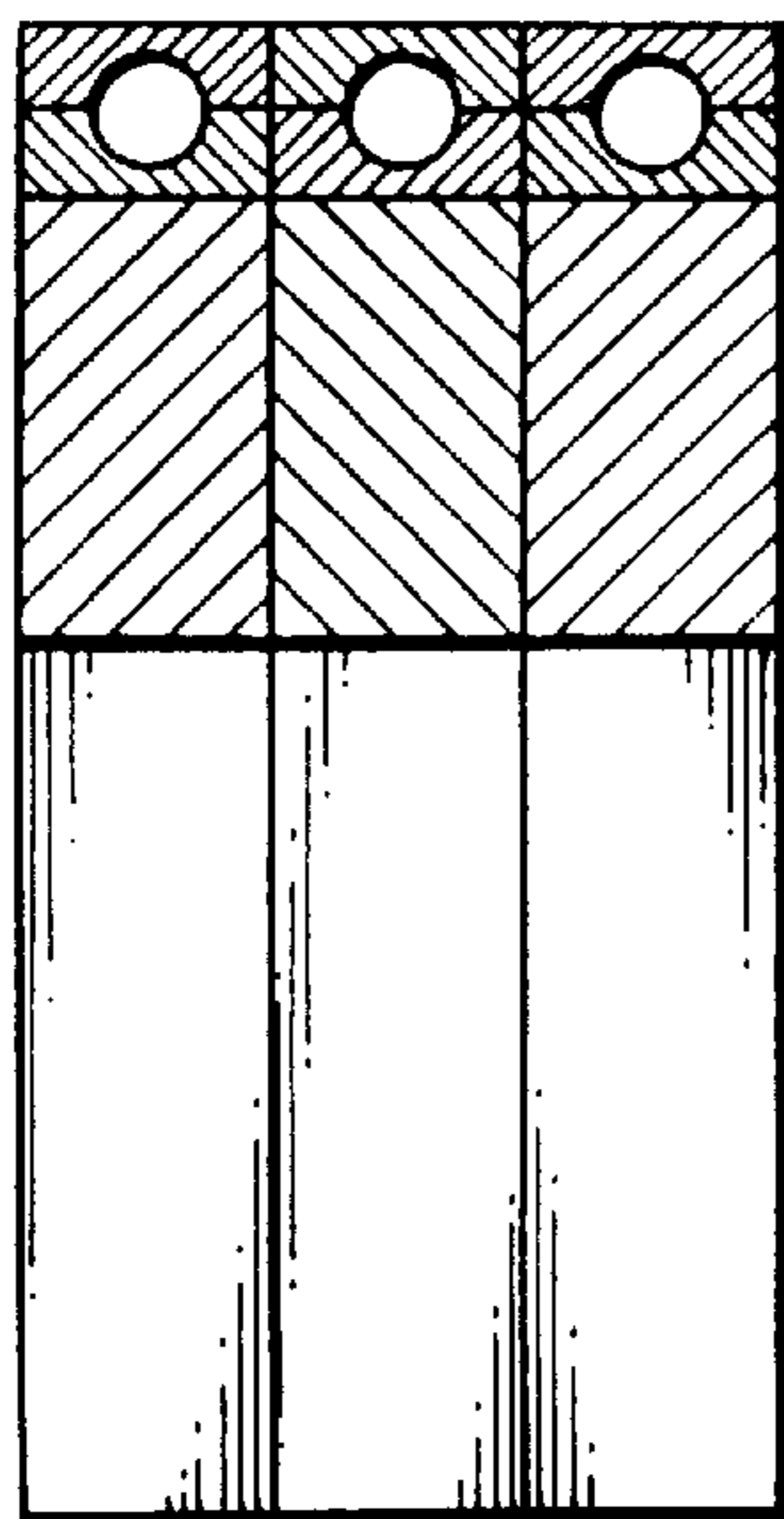
FIG. 3



F I G . 4



F I G . 5



F I G . 6

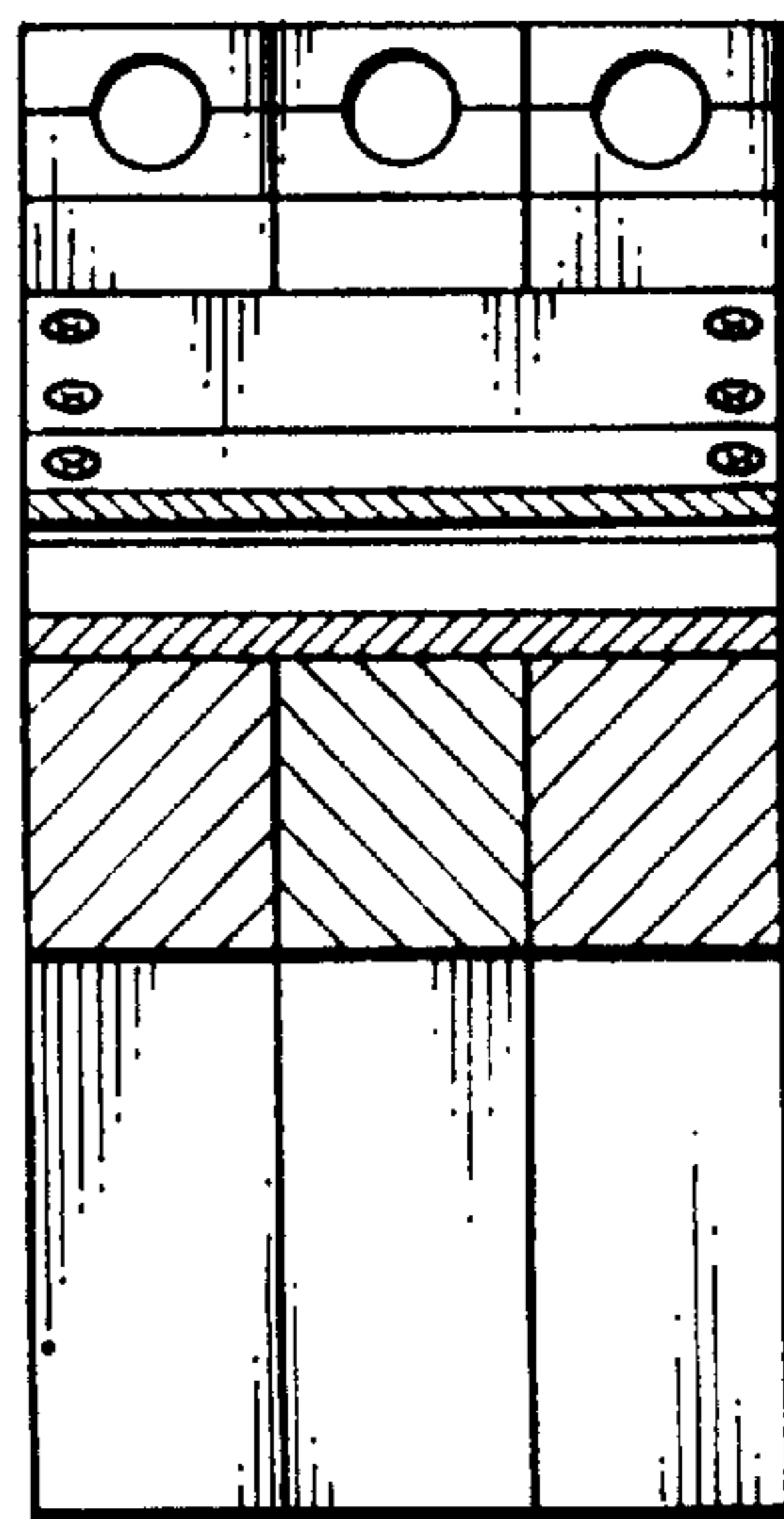


FIG. 7

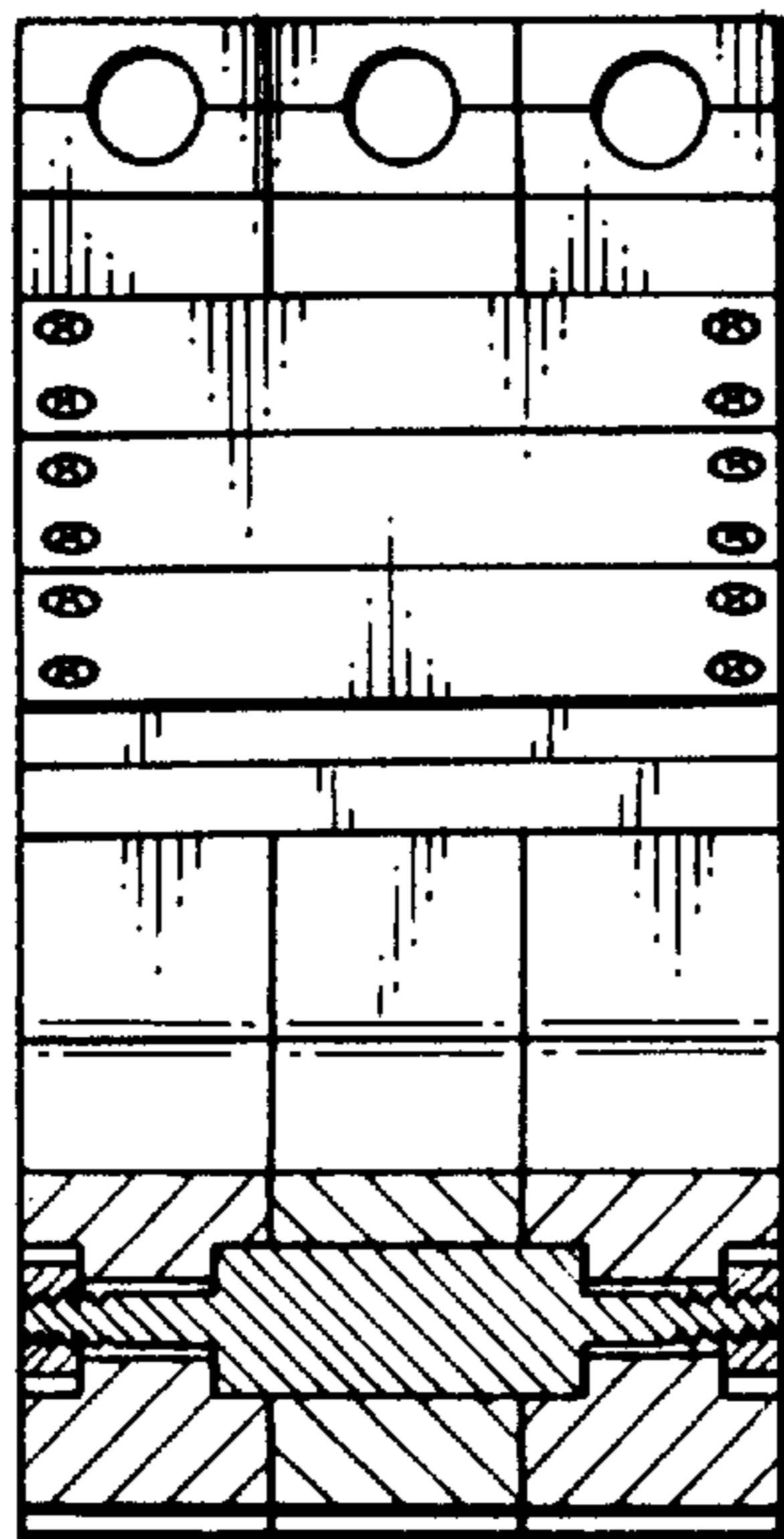


FIG. 8

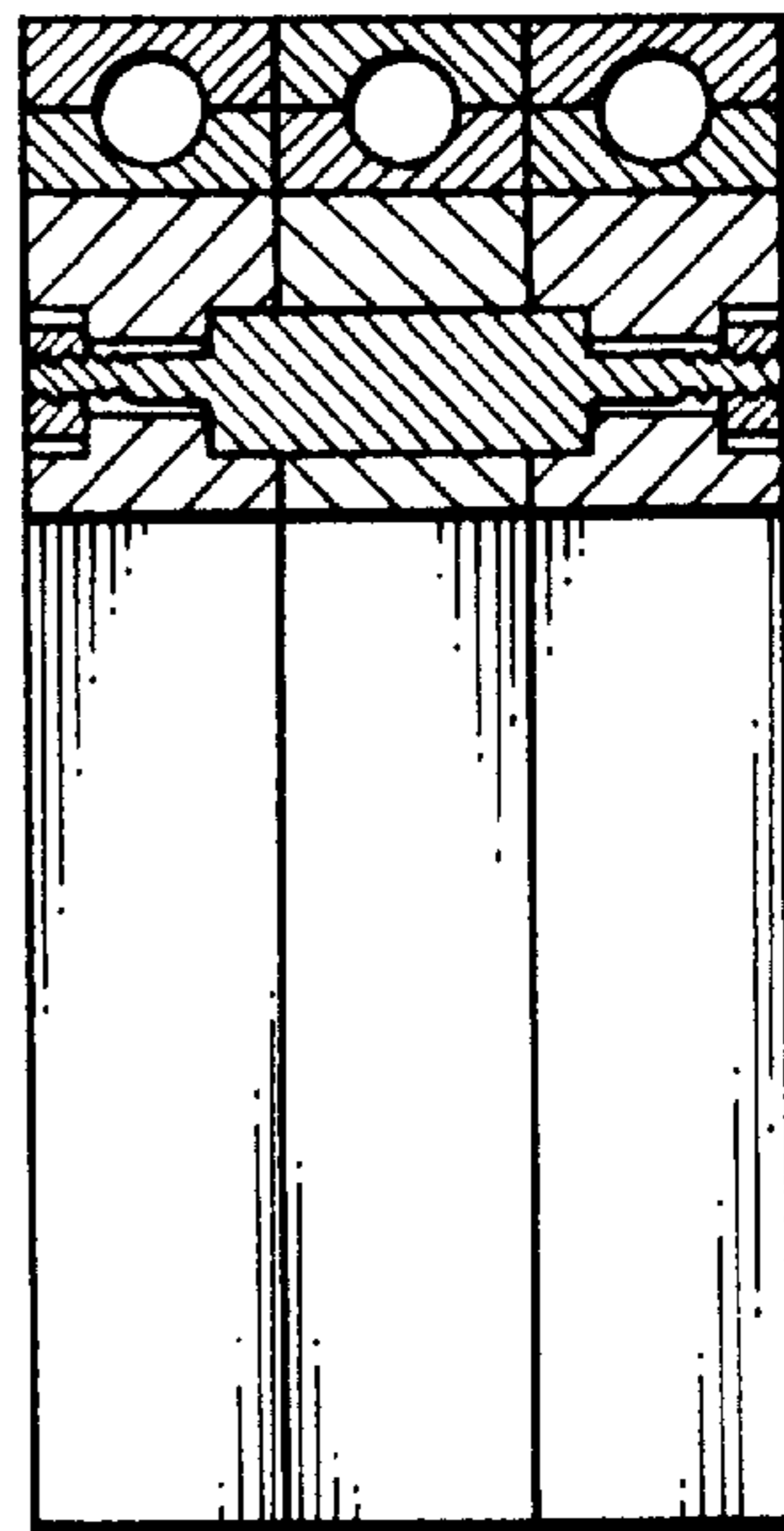


FIG. 9

